

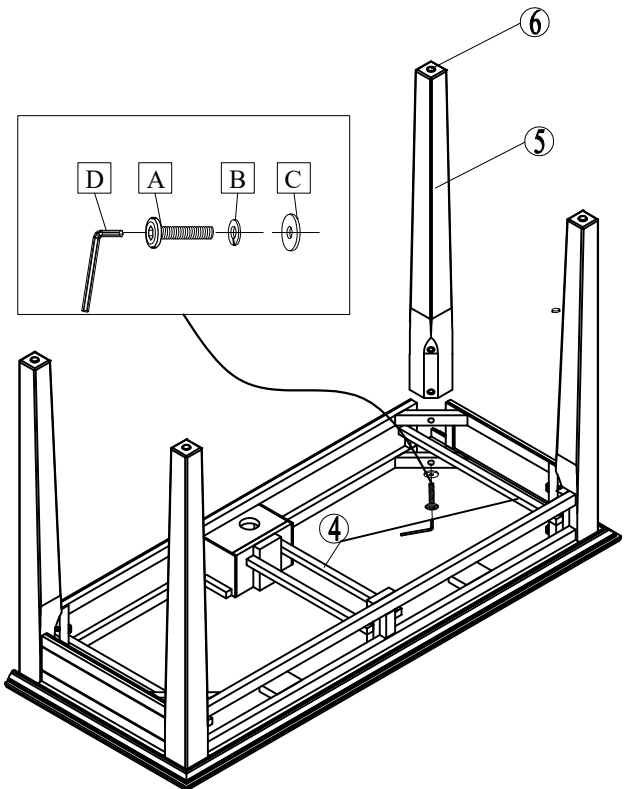
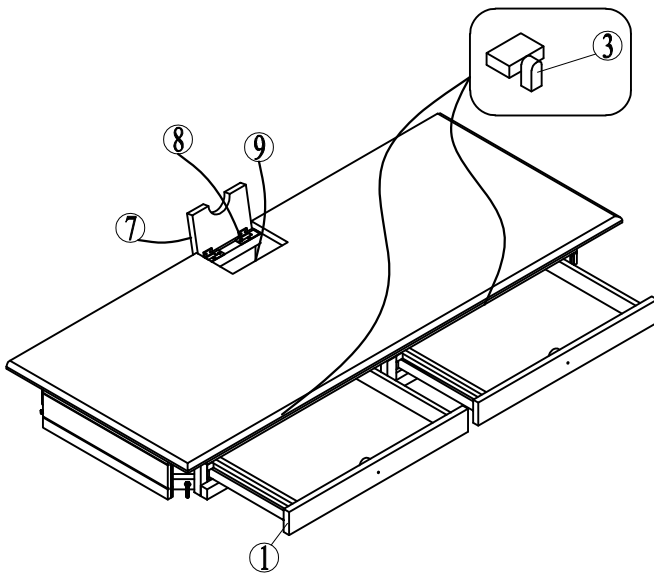
ASSEMBLY INSTRUCTION & PARTS IDENTIFICATION DESK

Thank you for purchasing this quality product. Be sure to check all packing material carefully for small parts that may have come loose inside the carton during shipment.

Parts key			
No		Qty	Description
1		2 pcs	Drawer Complete
2		2 Sets	Knob w/ Screw
3		2 Sets	Drawer Stop
4		2 Sets	Drawer Glide
5		4 pcs	Leg
6		4 pcs	Floor Glide
7		1 pc	Lift top
8		2 pcs	Lift top hinge
9		1 pc	Electric outlet

Hardware Kit		
No	Description	Qty
A	Bolt M6x50mm	8 pcs
B	Lock washer	8 pcs
C	Washer	8 pcs
D	Allen key	1 pc

I.



II.

