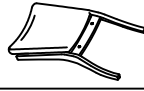
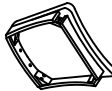
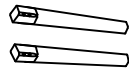
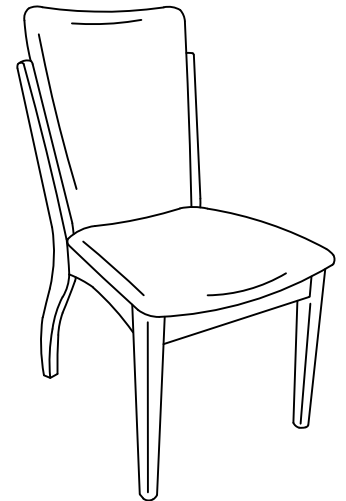


ASSEMBLY INSTRUCTIONS

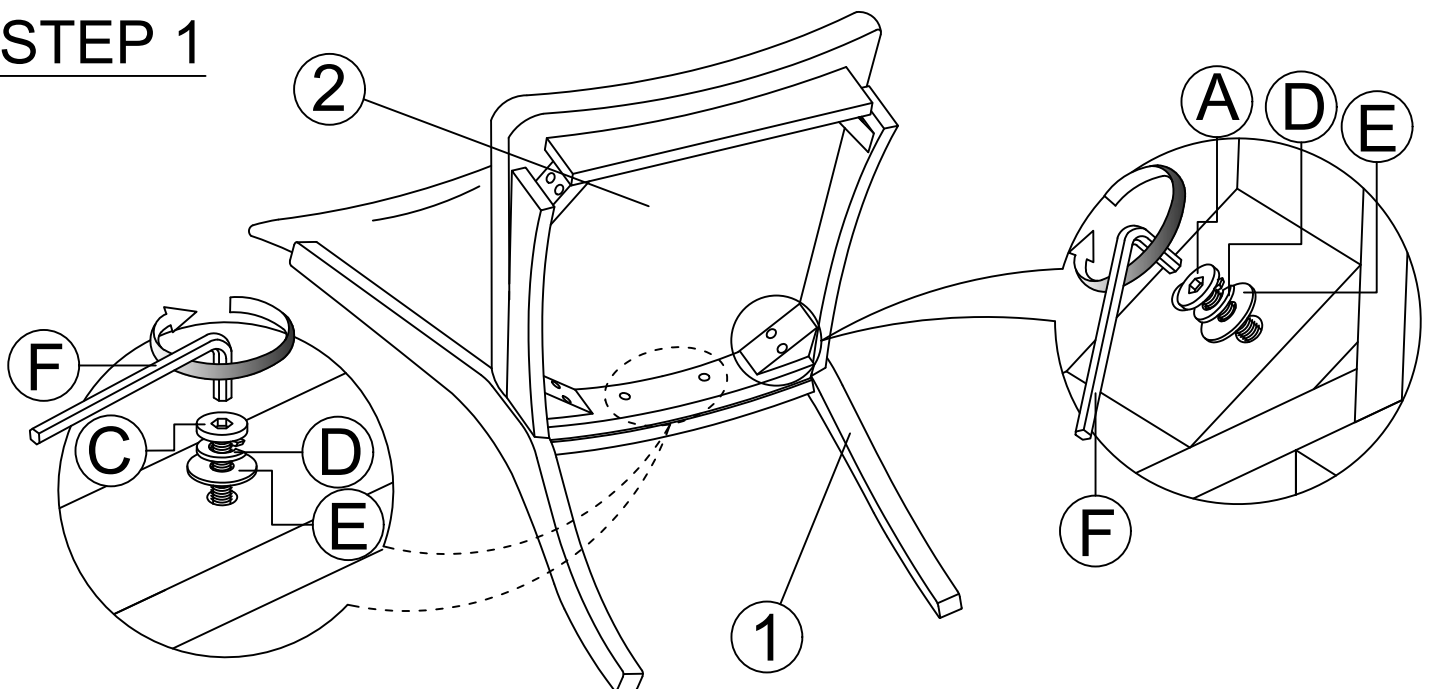
MODEL : LW2325

ITEM	HARDWARE LIST	DESCRIPTION	QTY
A	JCBC M6 X 70 MM		4PCS
B	JCBC M6 X 60MM		4PCS
C	JCBC M6 X 40MM		2PCS
D	Spring Washer M6		10PCS
E	Flat Washer M6		10PCS
F	Allen Key M4		1PC

ITEM	PART NAME	QTY
1	Chair Back 	1PC
2	Chair Seat 	1PC
3	Leg (L / R) 	2PCS



STEP 1



STEP 2

