

ASSEMBLY INSTRUCTIONS
/ INSTRUCCIONES DE ENSAMBLE

CHAIR
SILLÓN



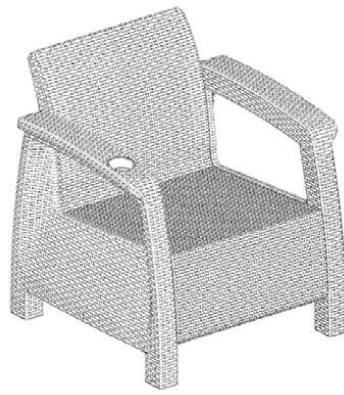
ASSEMBLY PARTS / PIEZAS DE ENSAMBLE



Includes additional screw
Incluye tornillo adicional



CHAIR ASSEMBLY / ENSAMBLE SILLÓN



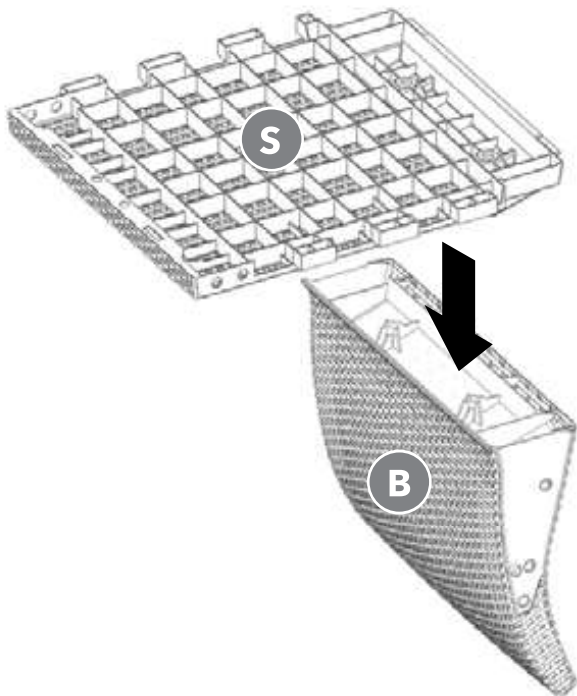
1



Bx1



Sx1



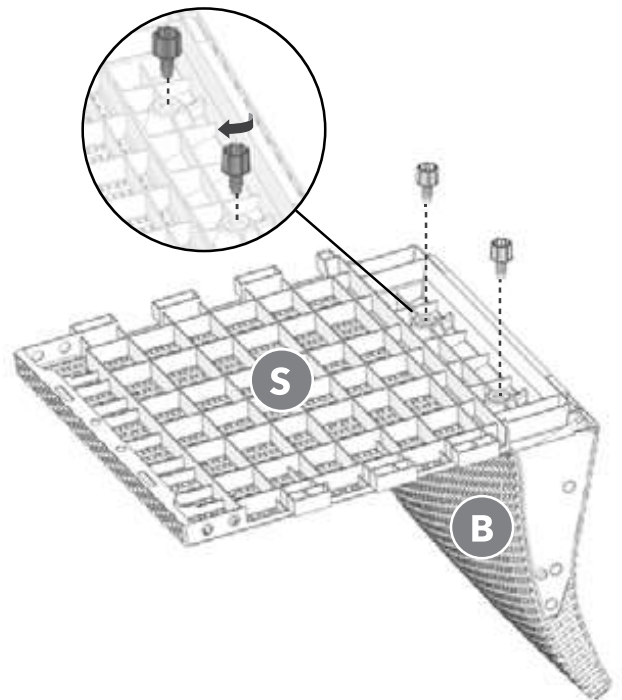
2



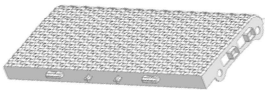
x2



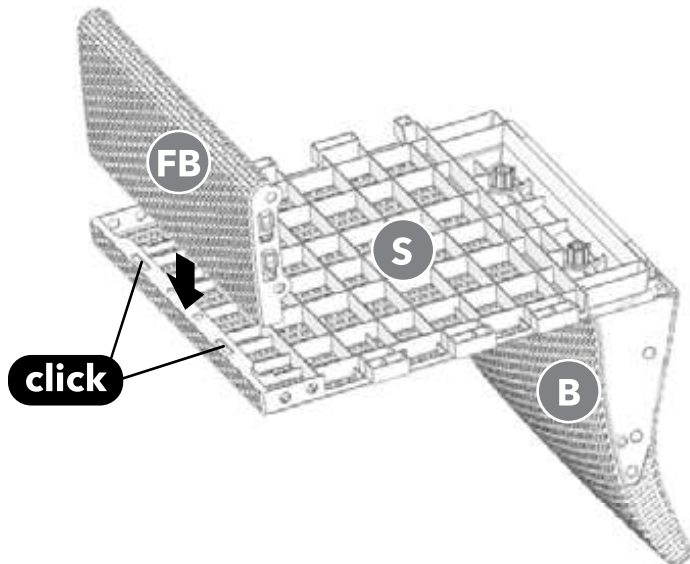
x1



3



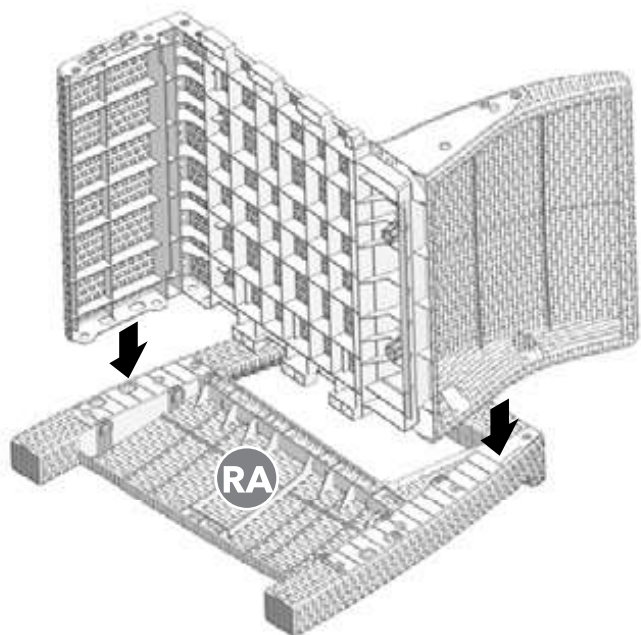
FBx1



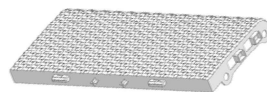
4



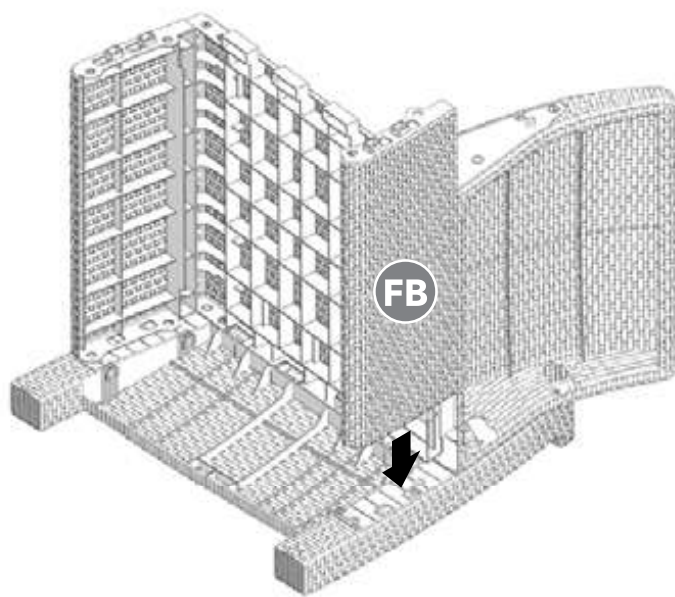
RAx1



5



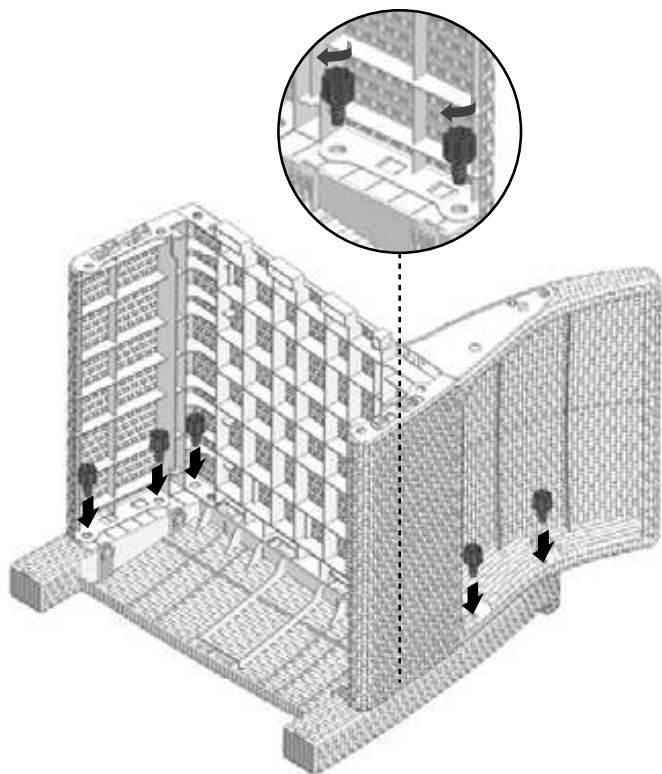
FBx1



6



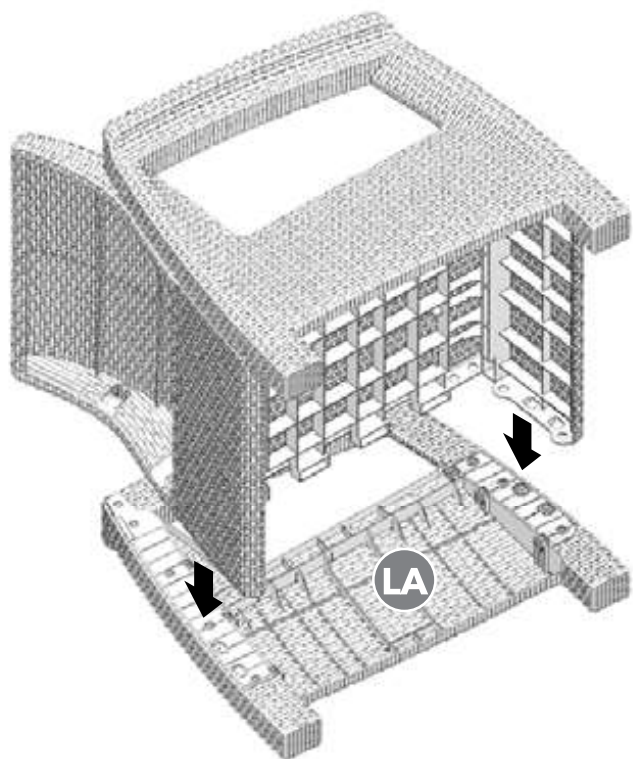
x7



7

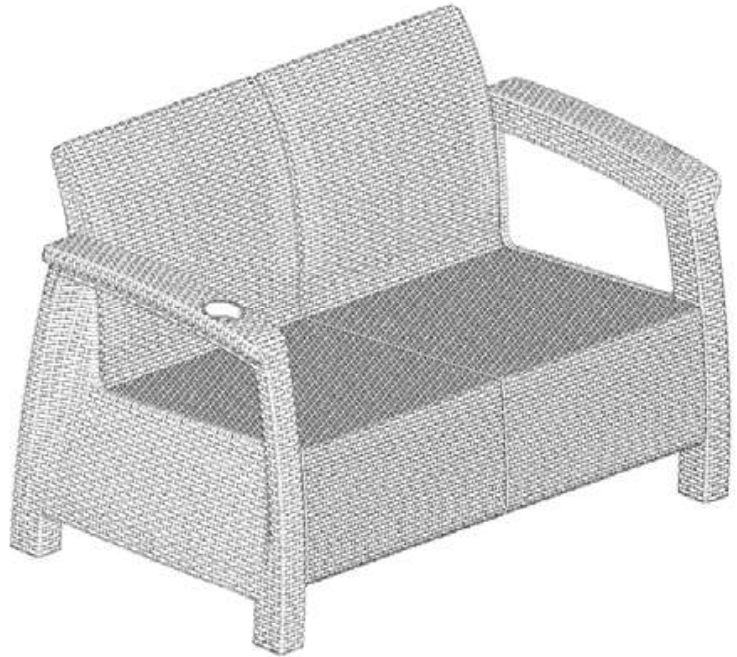


LAX1

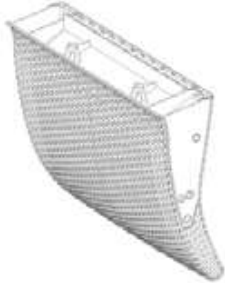


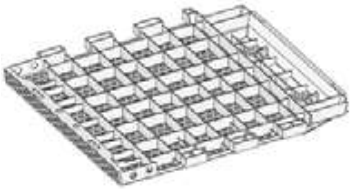
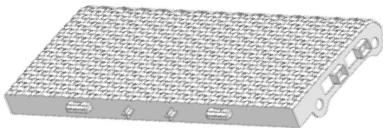

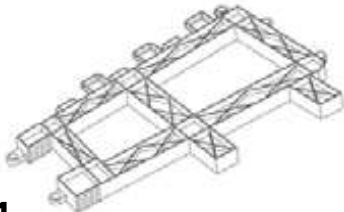
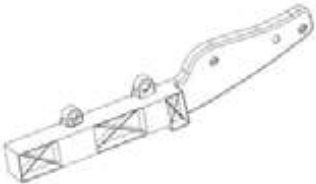



ASSEMBLY INSTRUCTIONS / INSTRUCCIONES DE ENSAMBLE

TWO-SEAT SOFA SOFÁ 2 PUESTOS



ASSEMBLY PARTS / PIEZAS DE ENSAMBLE

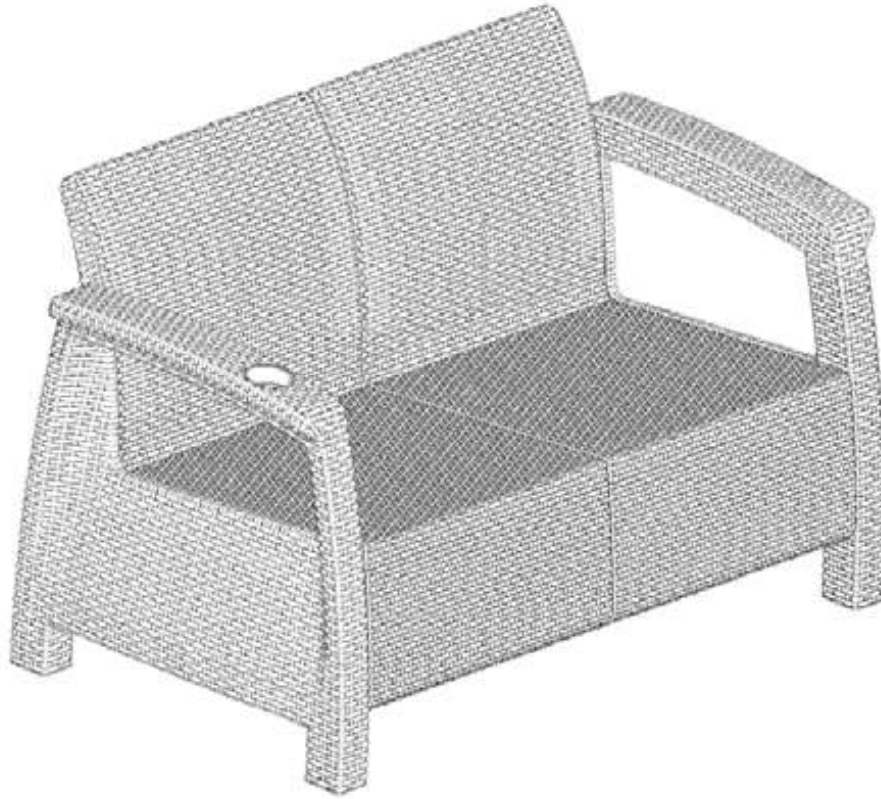
 <p>Bx2</p>	 <p>RAx1</p>	 <p>LAx1</p>
 <p>Sx2</p>	 <p>FBx4</p>	 <p>x27 x1</p>
 <p>SSx1</p>	 <p>CSx1</p>	 <p>x8</p>

Includes two additional screws
Incluye dos tornillos adicionales



Cushions not suitable for rain and / or liquids
Cojines no aptos para lluvia y/o líquidos

SOFA ASSEMBLY / ENSAMBLE SOFÁ



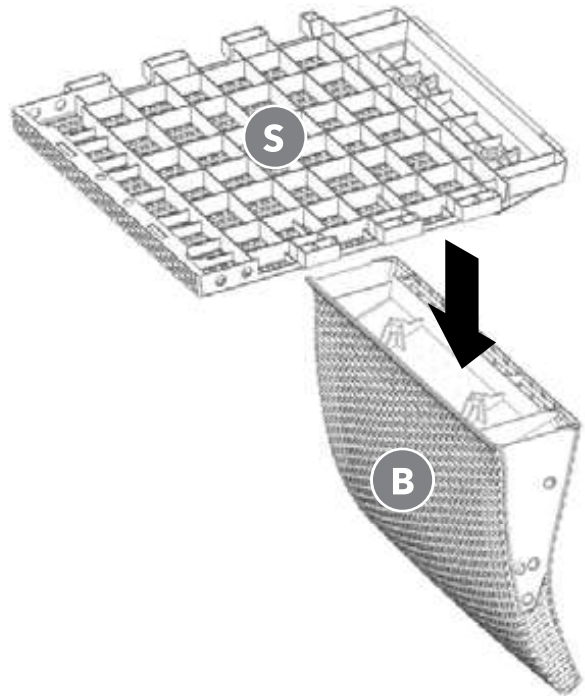
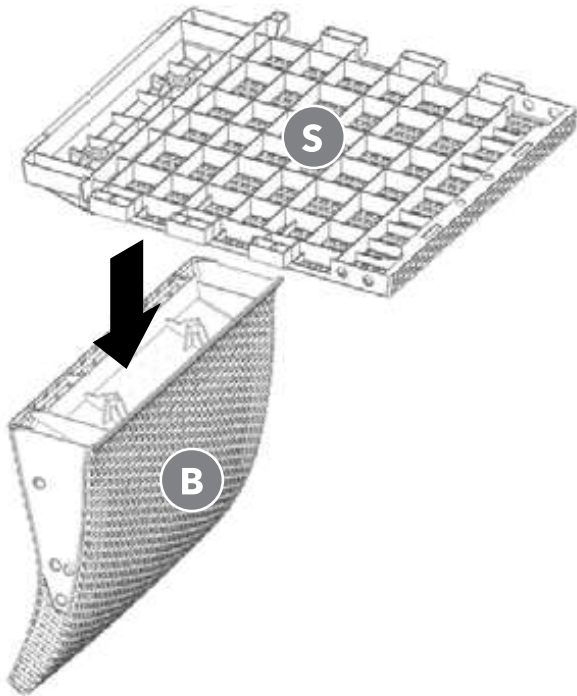
1



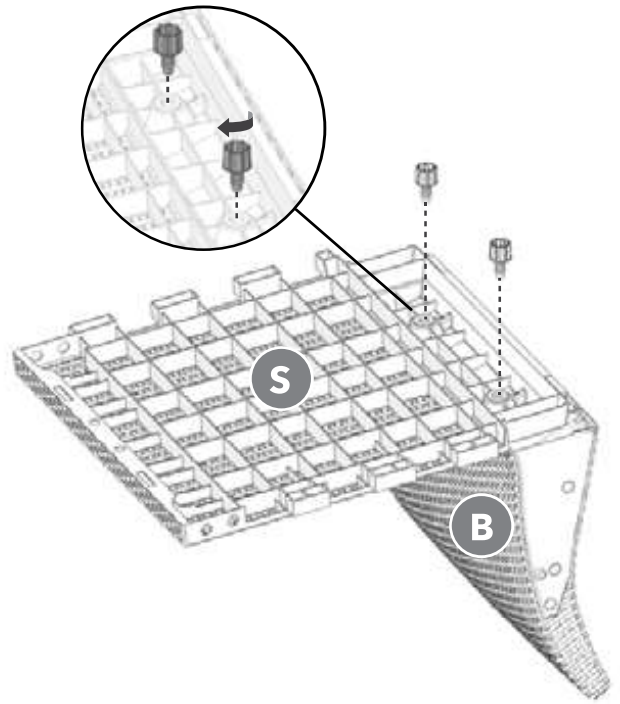
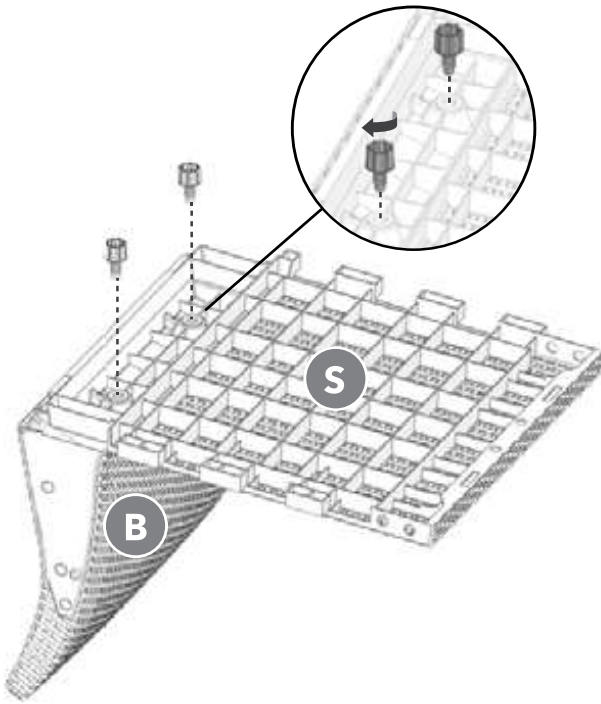
Bx2



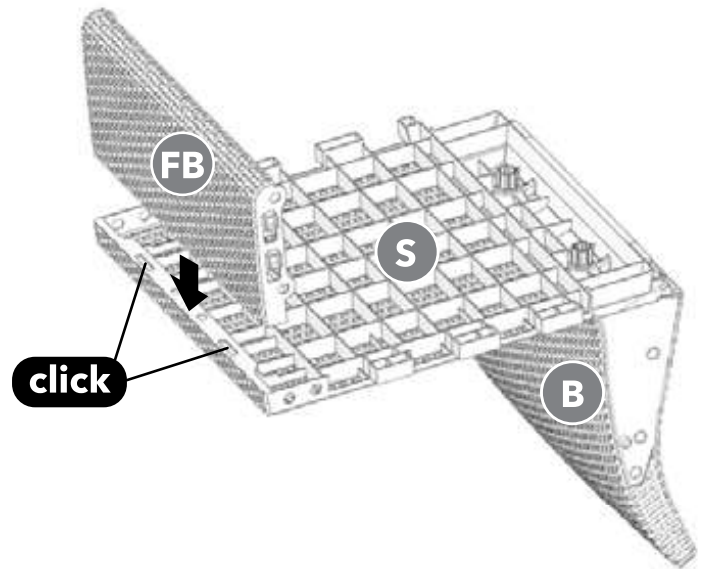
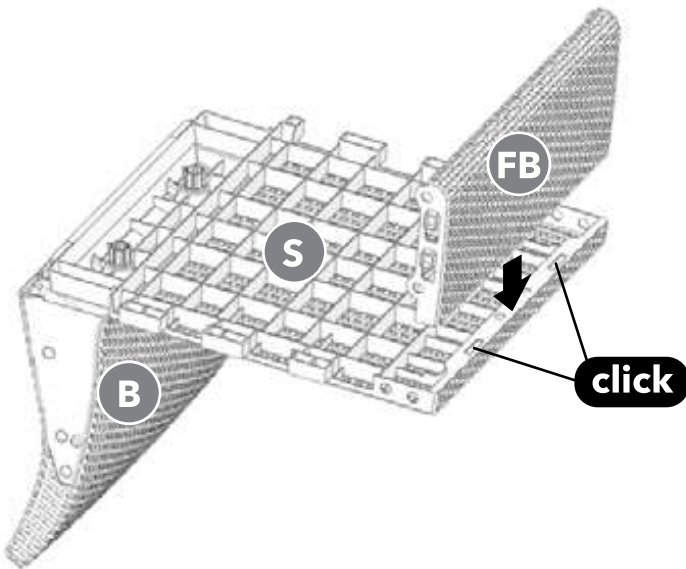
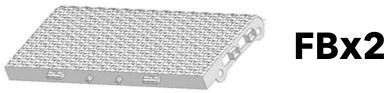
Sx2



2



3



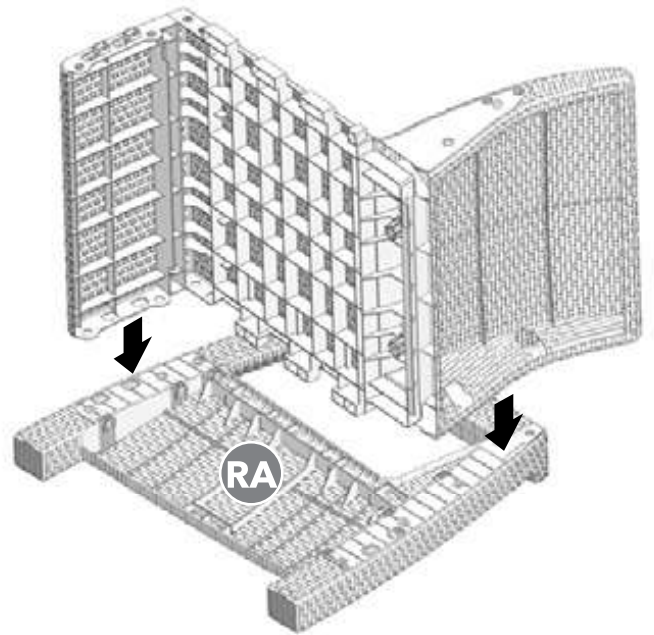
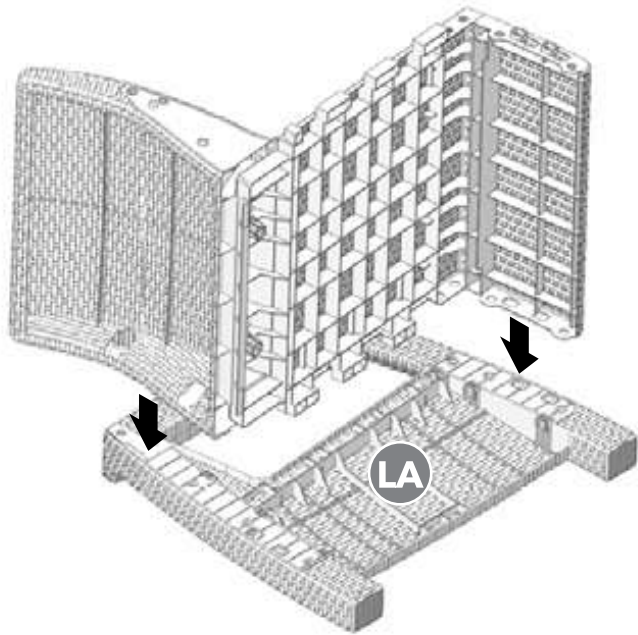
4



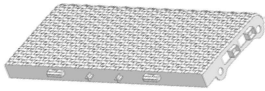
RAX1



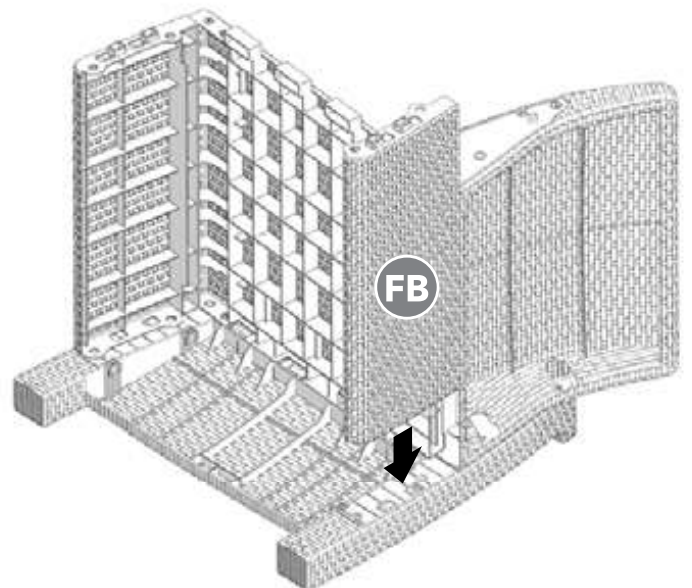
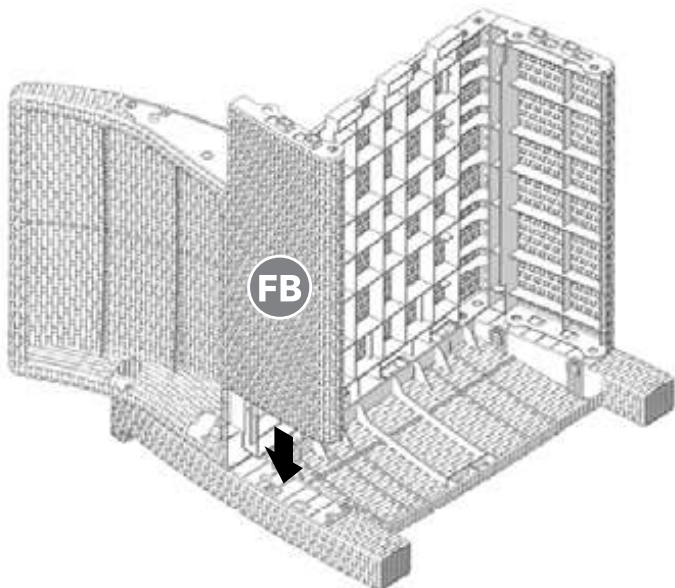
LAX1



5

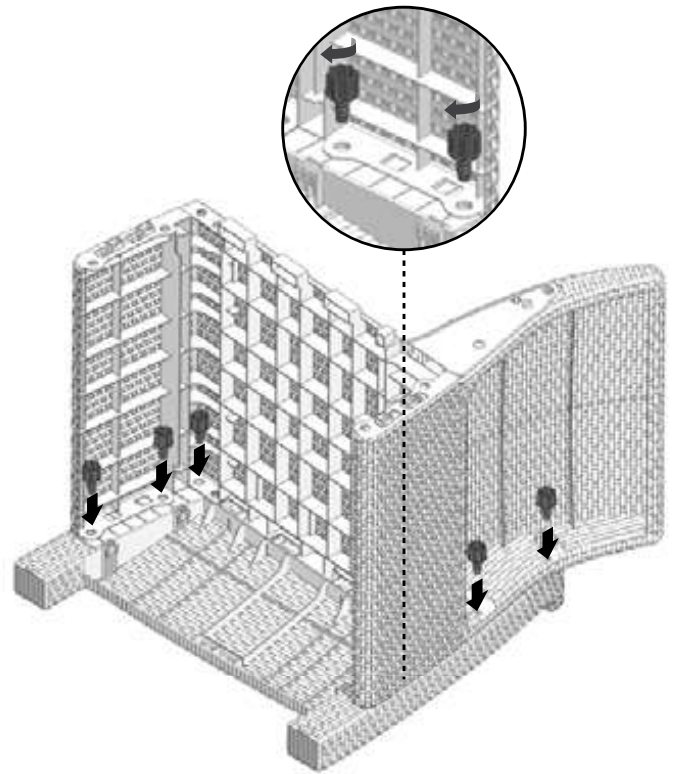
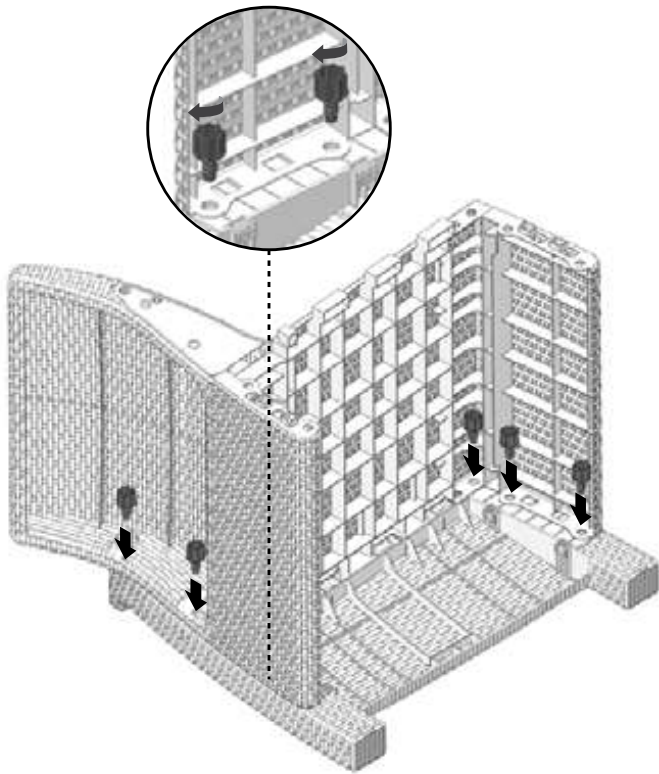


FBx2

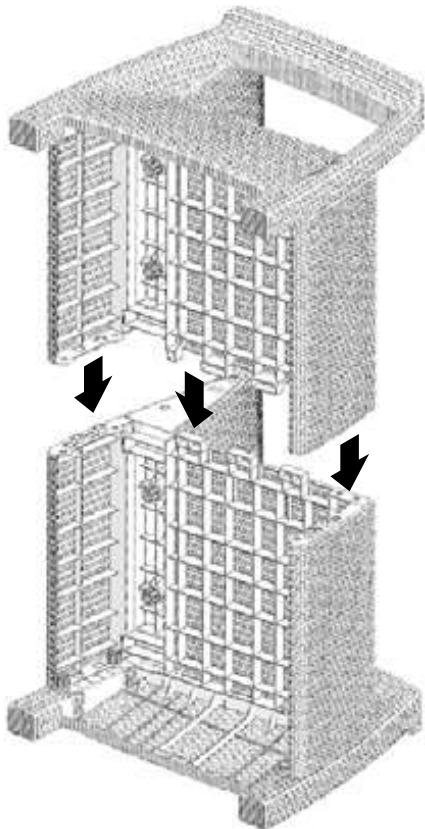


6

 x14

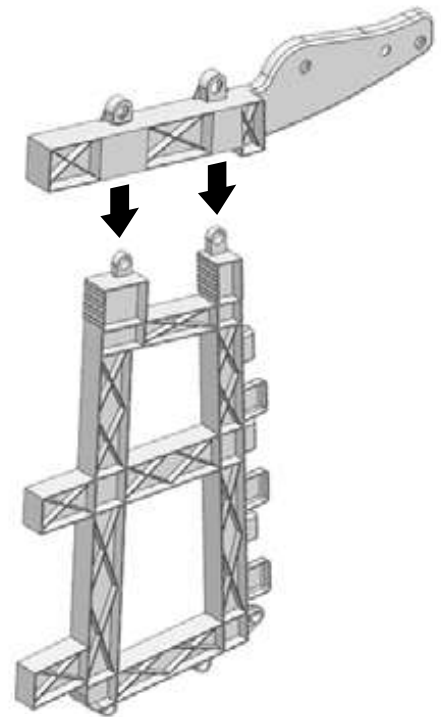


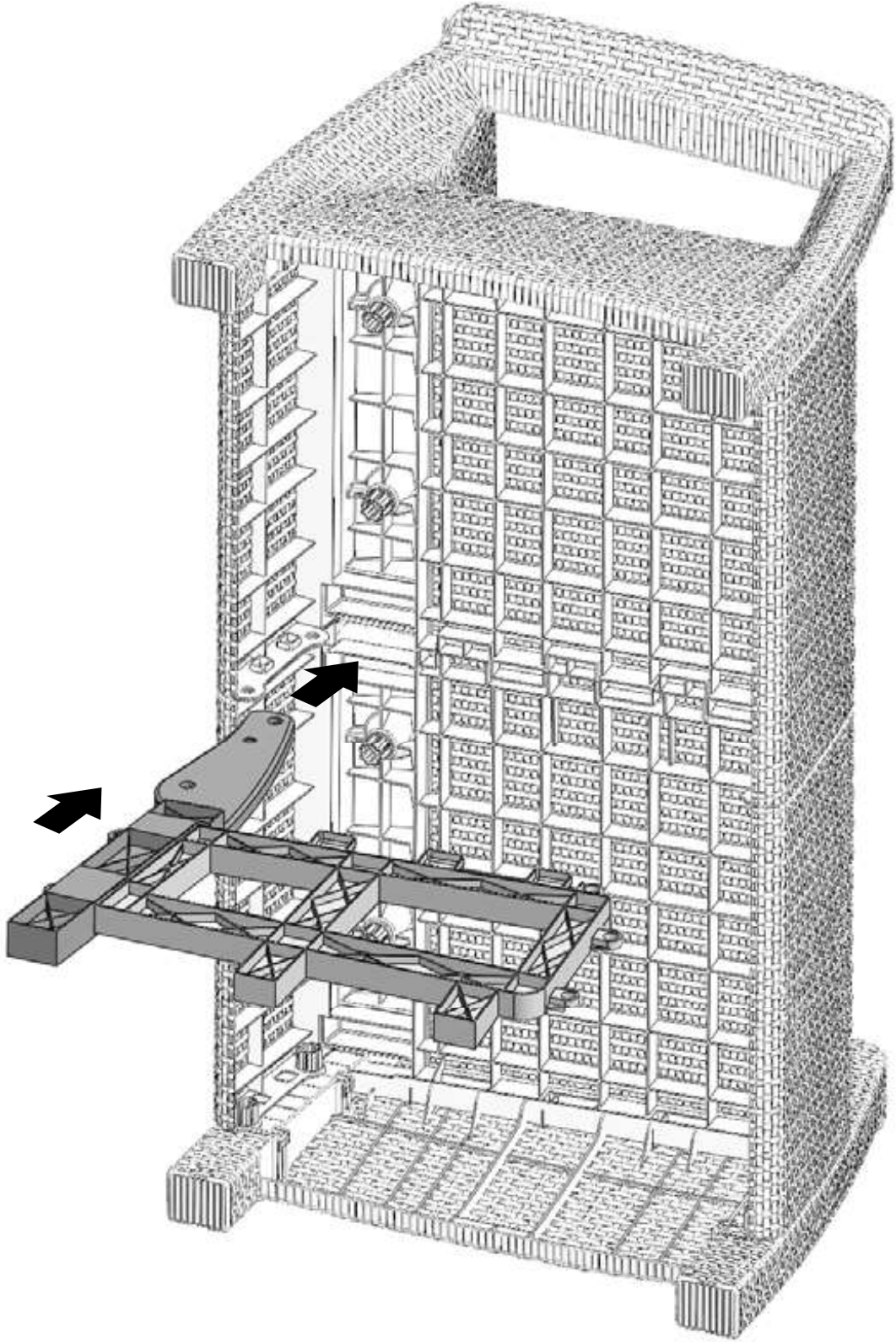
7



8

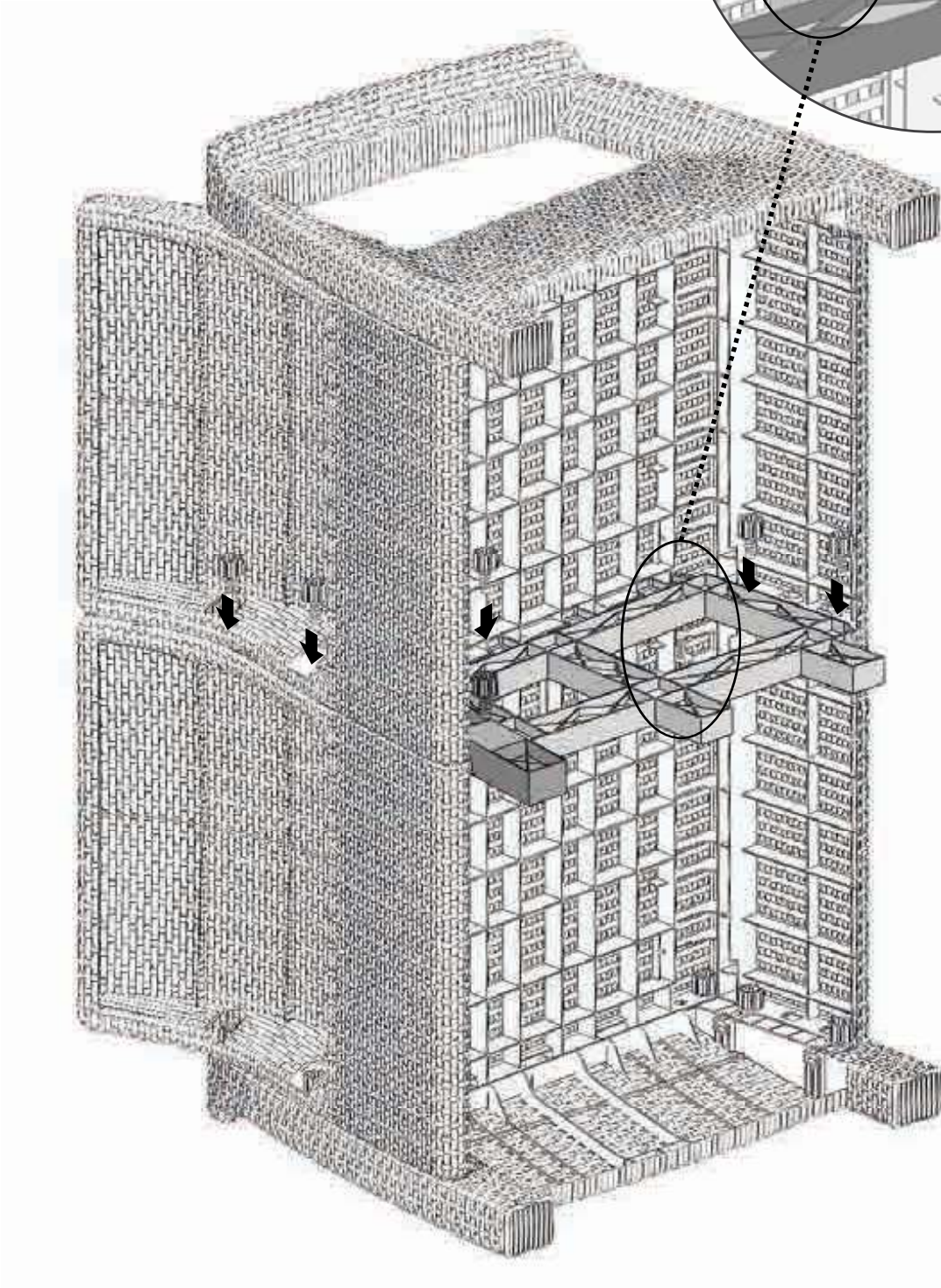
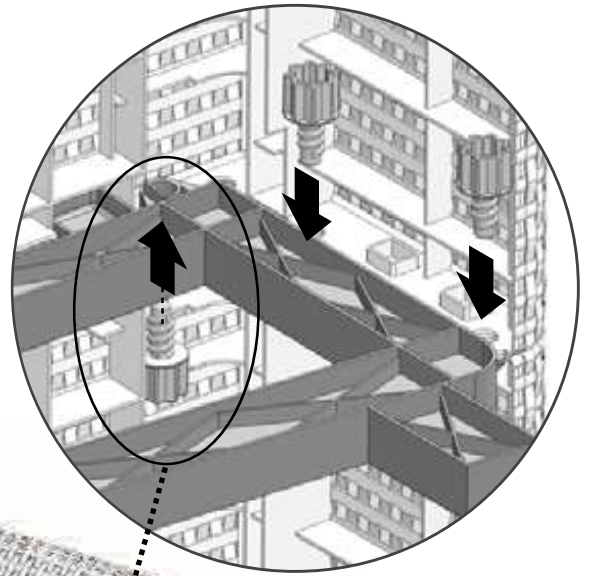
 SSx1  CSx1





10

 x7



11



1x2



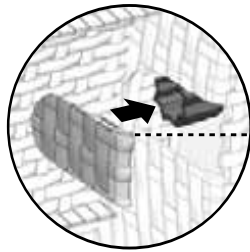
2x2



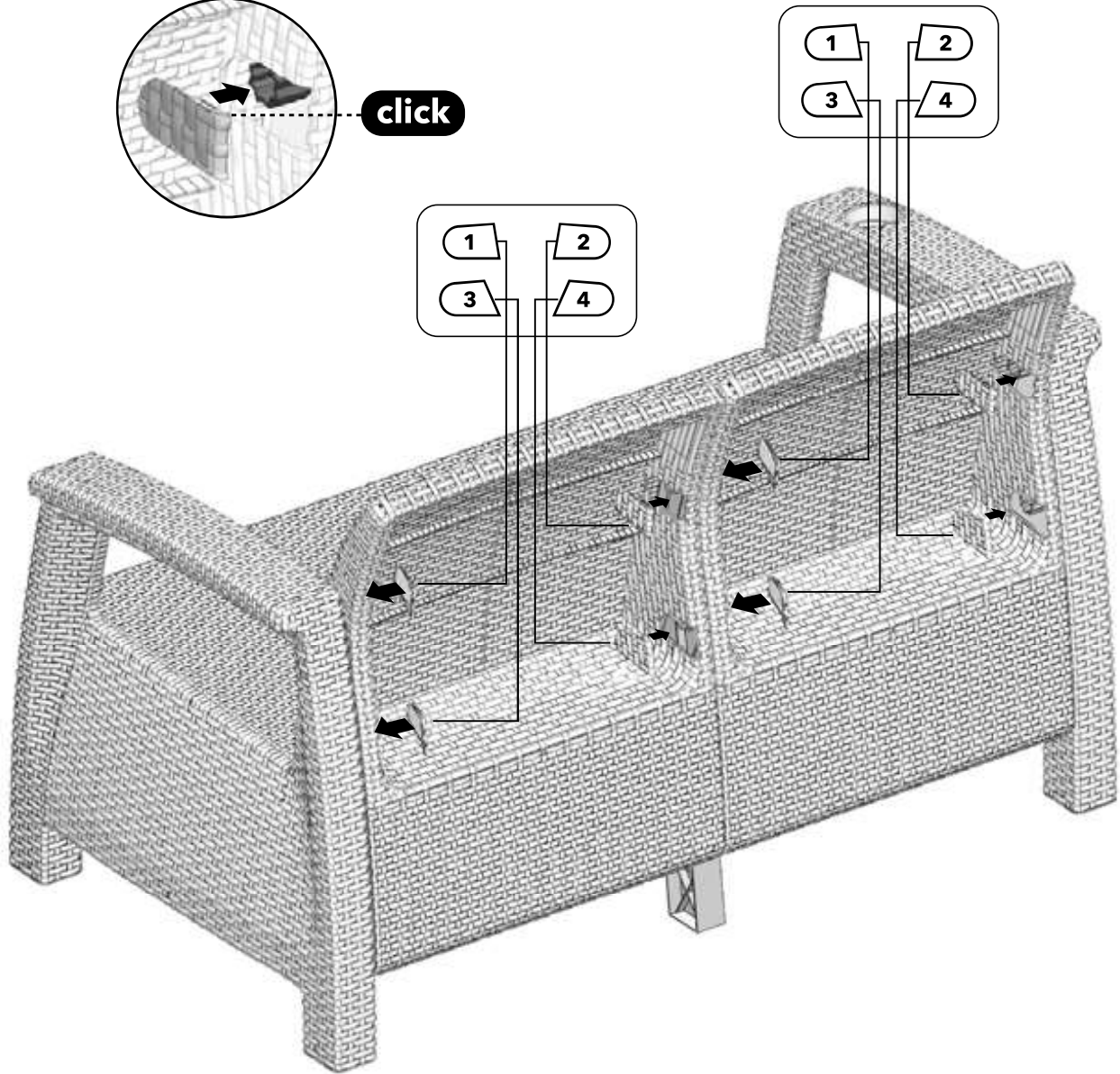
3x2



4x2



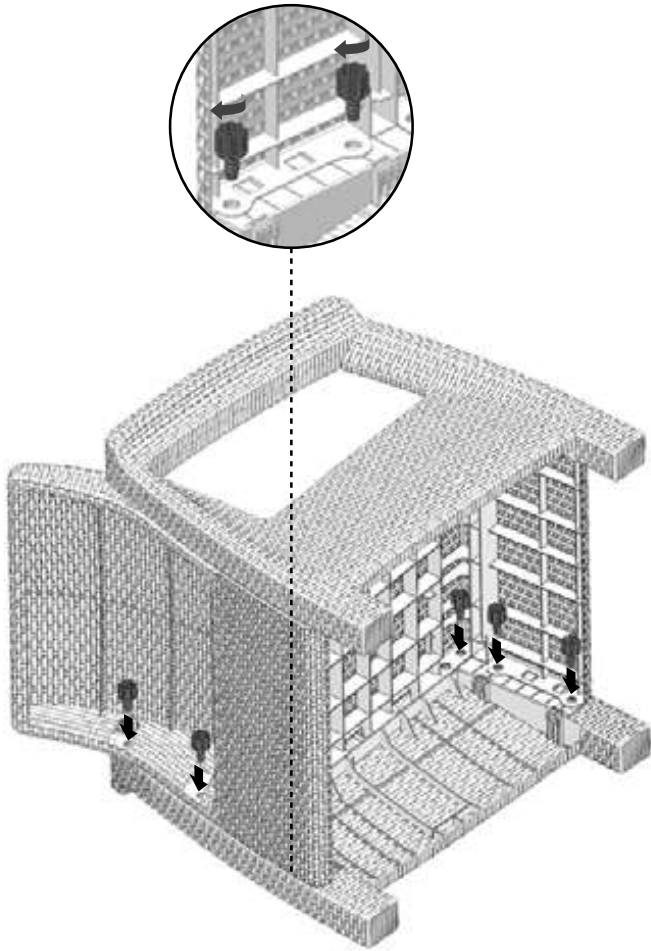
click



Not suitable for rain or snow, not suitable for permanent weathering since the variations and inclemencies of the time can affect it. This product has not been manufactured to withstand strong exposure to rain and wind.

No apto para la lluvia o nieve, no apto para intemperie permanente ya que las variaciones e inclemencias del tiempo lo pueden afectar. Este producto no ha sido fabricado para resistir exposición a fuertes lluvias y viento.

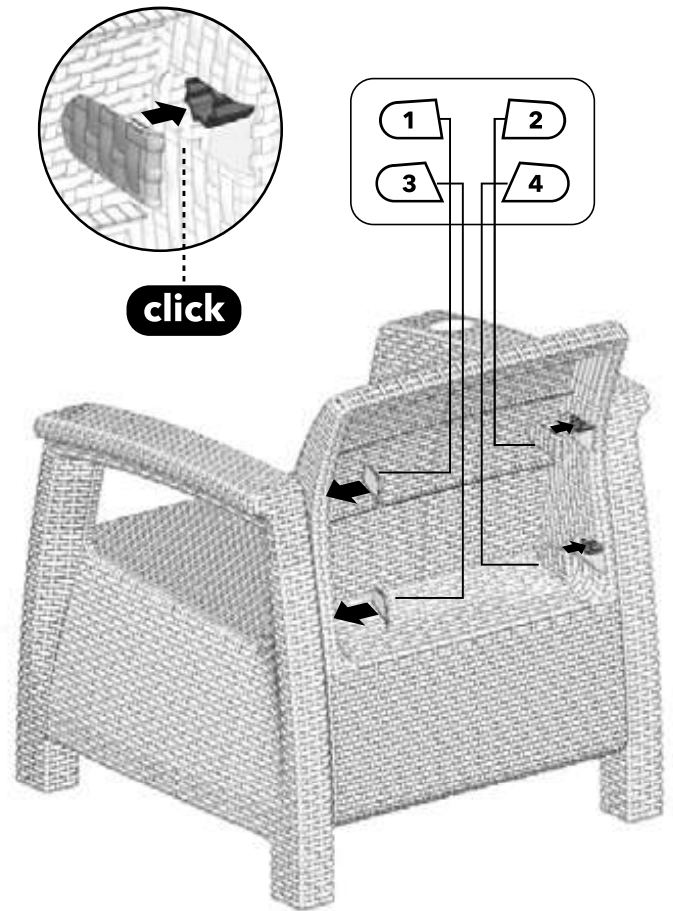
8

x7
**9**

1x1

2x1

3x1

4x1


Not suitable for rain or snow, not suitable for permanent weathering since the variations and inclemencies of the time can affect it. This product has not been manufactured to withstand strong exposure to rain and wind.

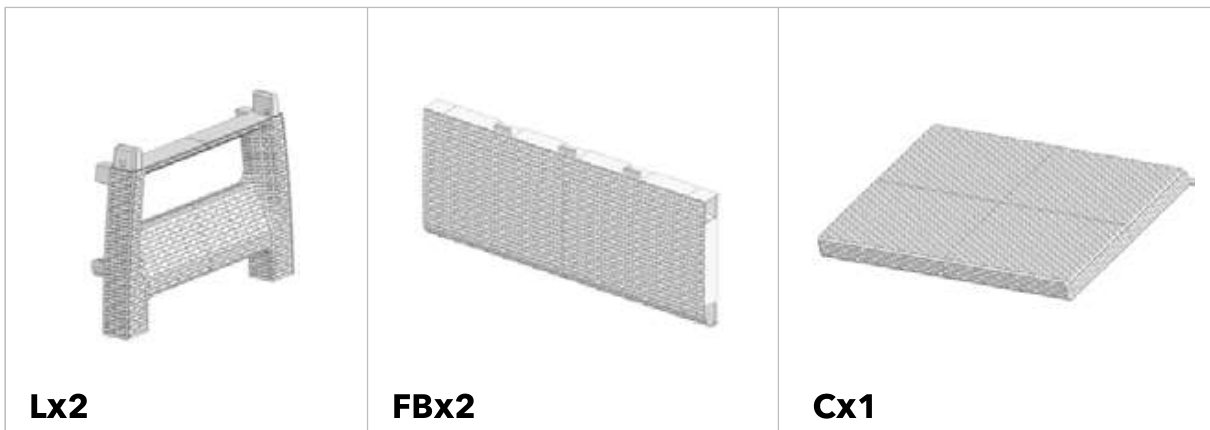
No apto para la lluvia o nieve, no apto para intemperie permanente ya que las variaciones e inclemencias del tiempo lo pueden afectar. Este producto no ha sido fabricado para resistir exposición a fuertes lluvias y viento.

ASSEMBLY INSTRUCTIONS / INSTRUCCIONES DE ENSAMBLE

CENTER TABLE MESA DE CENTRO



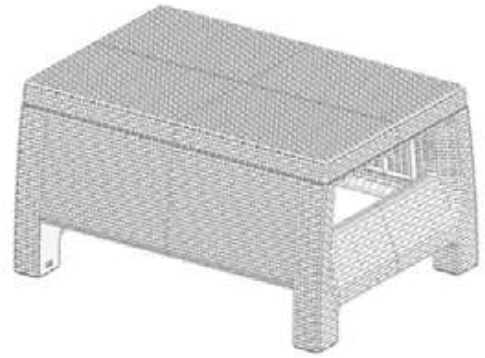
ASSEMBLY PARTS / PIEZAS DE ENSAMBLE



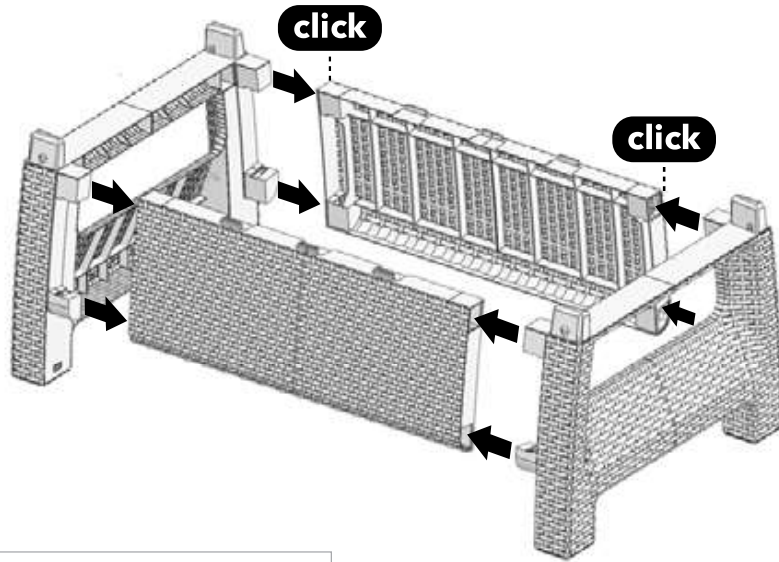
Not suitable for rain or snow, not suitable for permanent weathering since the variations and inclemencies of the time can affect it. This product has not been manufactured to withstand strong exposure to rain and wind.


No apto para la lluvia o nieve, no apto para intemperie permanente ya que las variaciones e inclemencias del tiempo lo pueden afectar. Este producto no ha sido fabricado para resistir exposición a fuertes lluvias y viento.

CENTER TABLE ASSEMBLY / ENSAMBLE MESA DE CENTRO



1  Lx2 FBx2

This block contains the first step of the assembly. It features a large number '1' in a black square on the left. To its right, there are two small icons: a vertical L-shaped piece labeled 'Lx2' and a rectangular piece labeled 'FBx2'.

2  Cx1

This block contains the second step of the assembly. It features a large number '2' in a black square on the left. To its right, there is a small icon of a square component labeled 'Cx1'.