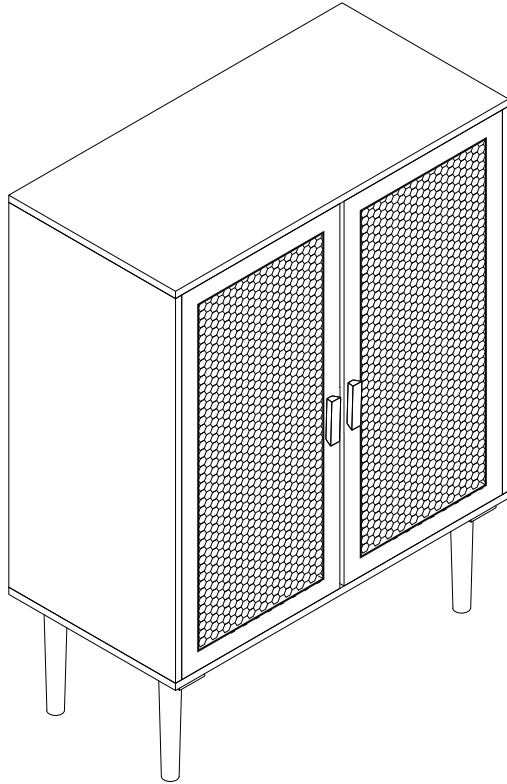


RATTAN ACCENT CABINET
USER MANUAL

Rattan Accent Cabinet



This is the original instruction, please read all manual instructions carefully before operating. We reserves a clear interpretation of our user manual. The appearance of the product shall be subject to the product you received. Please forgive us that we won't inform you again if there are any technology or software updates on our product.

SAFETY INSTRUCTIONS

INTRODUCTION

Thank you for purchasing our products. Committed to providing customers with the best quality products and service has always been our lifelong goal. Before using the product, please read this instruction manual carefully to ensure correct use. Keep the instruction manual in a place where the user can find it at any time.

ASSEMBLY PRECAUTIONS

There are many components and accessories in the package. Each component and accessory is labeled with a letter or a number, check carefully before using any of them. Keep them away from children to prevent accidents.

1. Assemble only according to these instructions. Improper assembly may create hazards.
2. Wear ANSI-approved safety goggles and heavy-duty work gloves during assembly.
3. Keep the assembly area clean and well-lit.
4. Keep bystanders out of the area during assembly.
5. Do not assemble if tired or when under the influence of alcohol, drugs or medication.
6. The product capabilities apply to properly and completely assembled products only.
7. Please install the product on a clean and soft underlay(such as carpet or cardboard)to avoid scratching or damaging the surface of the product.
8. If possible, you can use power tools to make assembly easier.
9. The main components of the product is relatively heavy. Please pay attention to safety during installation.
10. The product is not stable during installation, Please do not move it randomly before it is completely installed.
11. For additional information regarding the parts listed in the following

pages, please refer to the Assembly Diagram of this manual. Unwrap and separate all parts in a clean work area.

***PLEASE BE SURE TO FOLLOW THE INSTALLATION STEPS IN THE MANUAL TO AVOID UNNECESSARY LOSSES CAUSED BY IMPROPER INSTALLATION.**

USE PRECAUTIONS

1. This product is not a toy Do not allow children to play with or near this item.
2. Do not exceed specified weight capacities.
3. Use only on a flat, level, hard, and smooth surface that can safely support a fully loaded Rattan Accent Cabinet.
4. Use as intended only.

Inspect before every use; do not use if parts are loose or damaged.

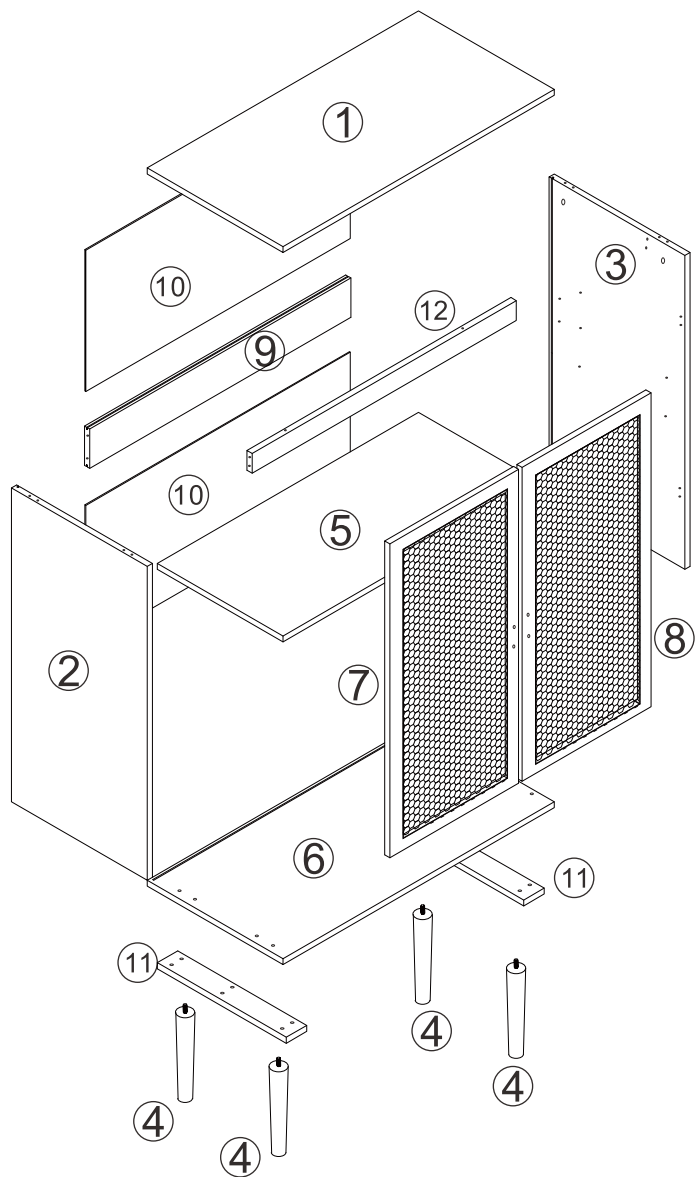
WARNING

Children have died from furniture tipover. To reduce the risk of furniture tipover:

- **ALWAYS** install Anti-tip device provided.
- **NEVER** put a TV on this product.
- **NEVER** allow children to stand, climb or hang on drawers, doors, or shelves.
- **NEVER** open more than one drawer at a time.
- Place heaviest items in the lowest drawers.

SAVE THIS MANUAL

EXPLODED VIEW



PARTS LIST



A x 10



B x 10



C x 10



D x 1



E x 2



F x 16



G x 4



H x 4



I x 6



J x 10



K x 2



L x 18



M x 8



O x 2



P x 4



Q x 2



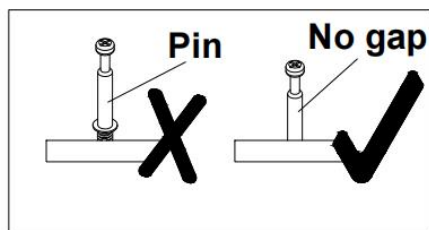
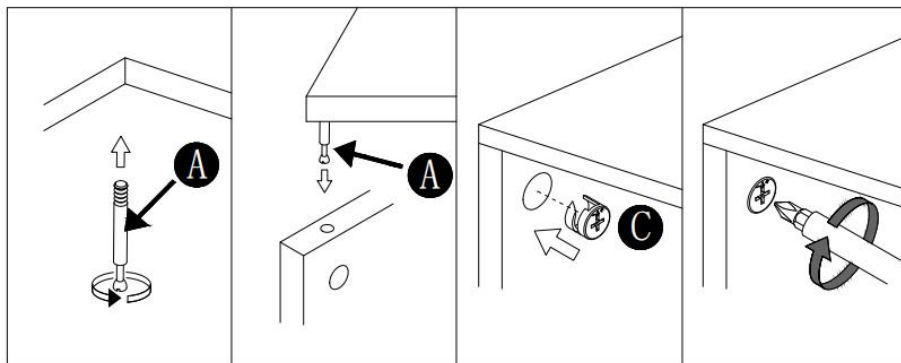
R x 2



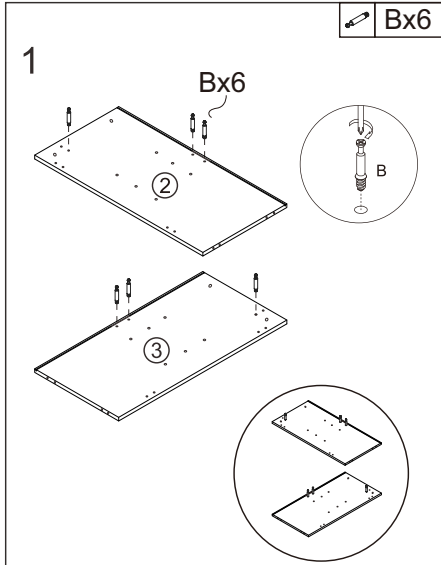
S x 2

ASSEMBLY STEP

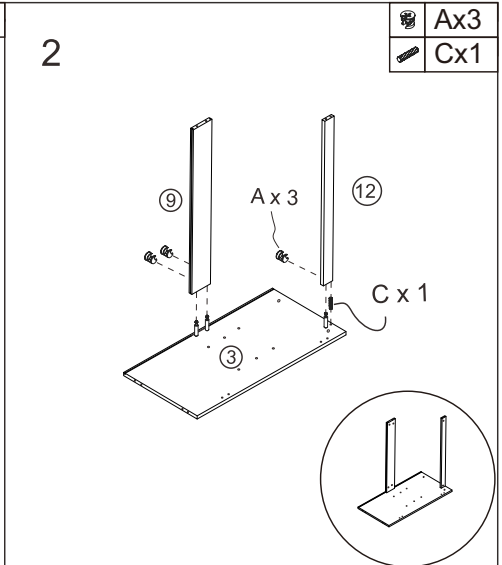
Installation of Cams and Pins



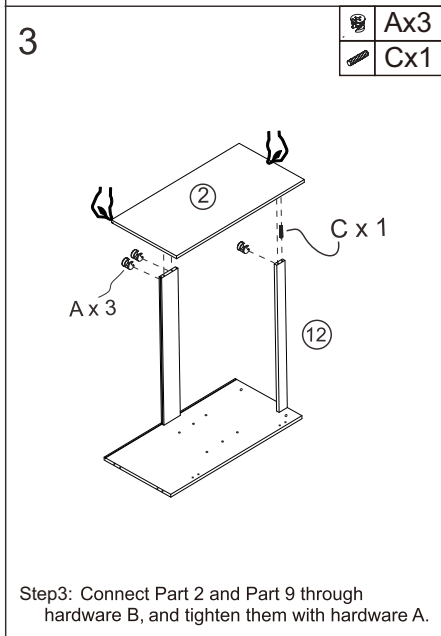
ASSEMBLY STEPS



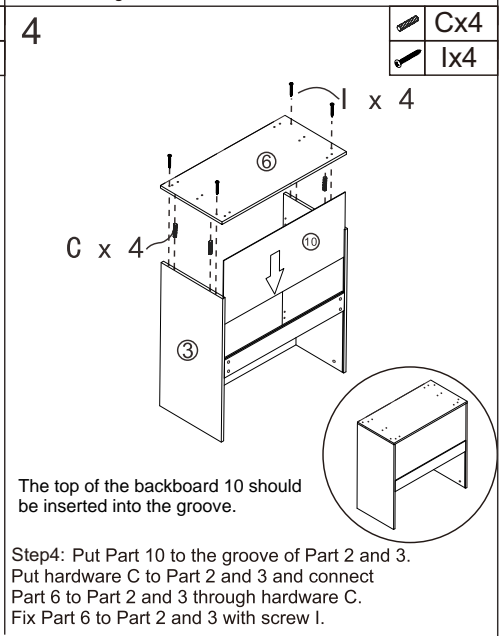
Step1: Fix hardware B to Part 2 and 3.



Step2: Connect Part 3 and Part 9/12 through hardware B, and tighten them with hardware A/C.



Step3: Connect Part 2 and Part 9 through hardware B, and tighten them with hardware A.



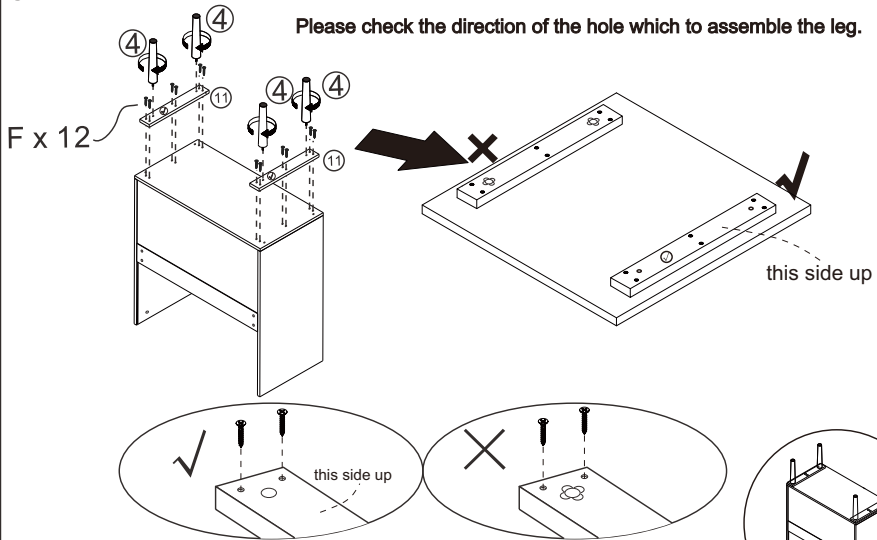
The top of the backboard 10 should be inserted into the groove.

Step4: Put Part 10 to the groove of Part 2 and 3. Put hardware C to Part 2 and 3 and connect Part 6 to Part 2 and 3 through hardware C. Fix Part 6 to Part 2 and 3 with screw l.

ASSEMBLY STEPS

5

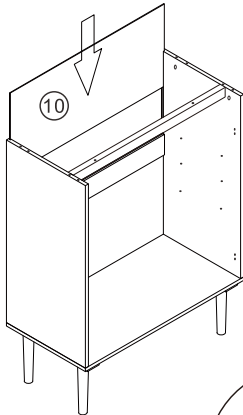
 Fx12



Step5: Fix Part 11 to Part 6 with screw F.
Screw Part 4 to Part 11.
Stick M to four legs.




6

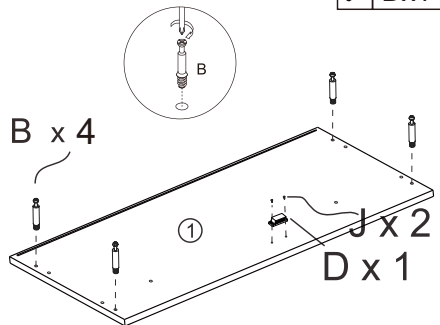
The top of the backboard 10 should be inserted into the groove.



Step6: Put Part 10 to the groove of Part 2 and 3.

7

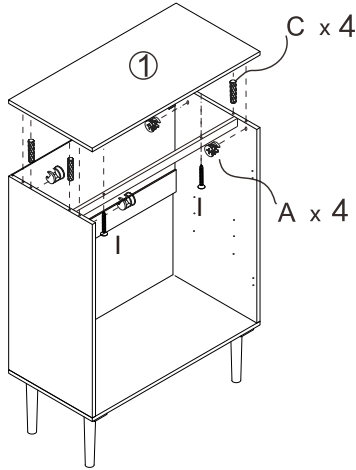
 Bx4
 Jx2
 Dx1



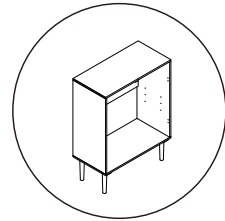
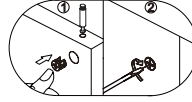
Step7: Fix hardware B to Part 1.
Fix hardware D to Part 1 with screw J.

ASSEMBLY STEPS

8

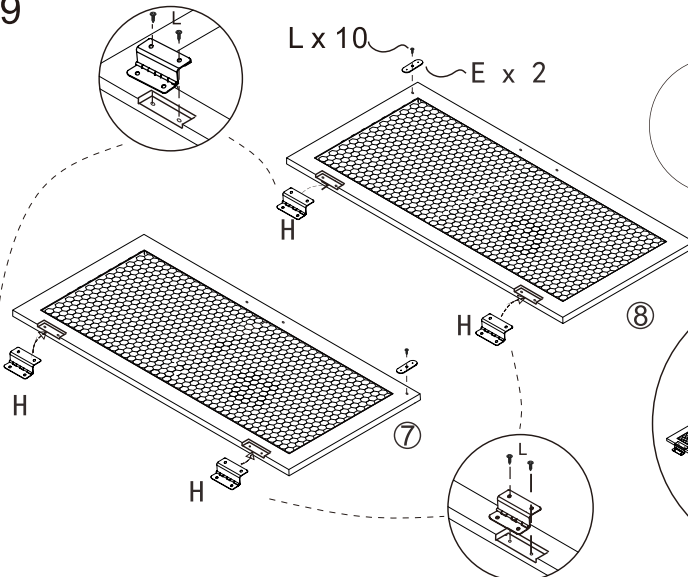


	Ax4
	Cx4
	Ix2

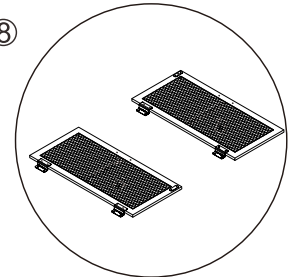
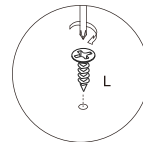


Step8: Put hardware C to Part 2 and 3 and connect Part 1 to Part 2 and 3 through hardware C. Tighten Part 1 to Part 2 and 3 with hardware A.

9



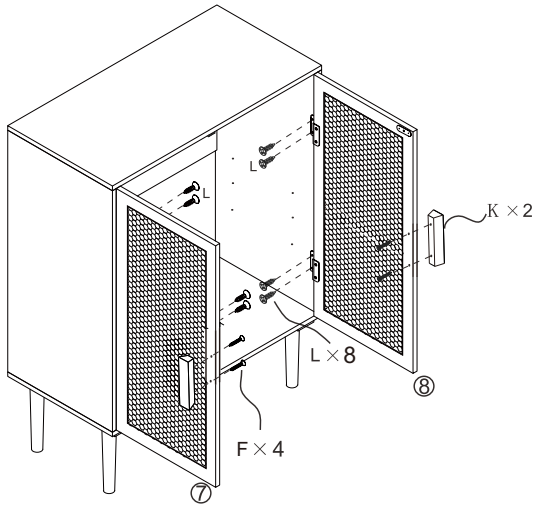
	Lx10
	Hx4
	Ex2



Step9: Fix hardware H to Part 7 and 8 with screw L. Fix hardware E to Part 7 and 8 with screw L.

ASSEMBLY STEPS

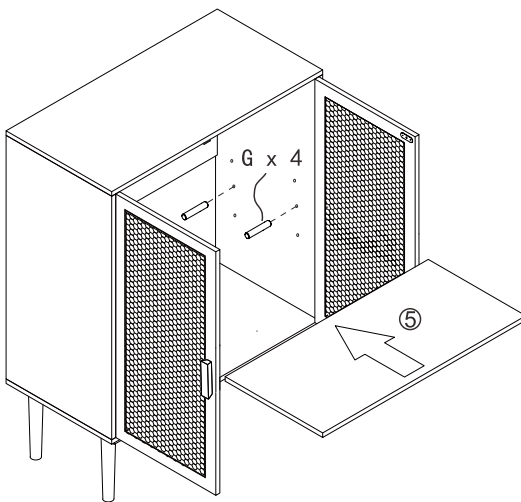
10



	Lx8
	Kx2
	Fx4

Step10: Fix Part 7 and 8 to Part 2 and 3 with screw L.
Fix hardware K to Part 7 and 8 with screw U.

11



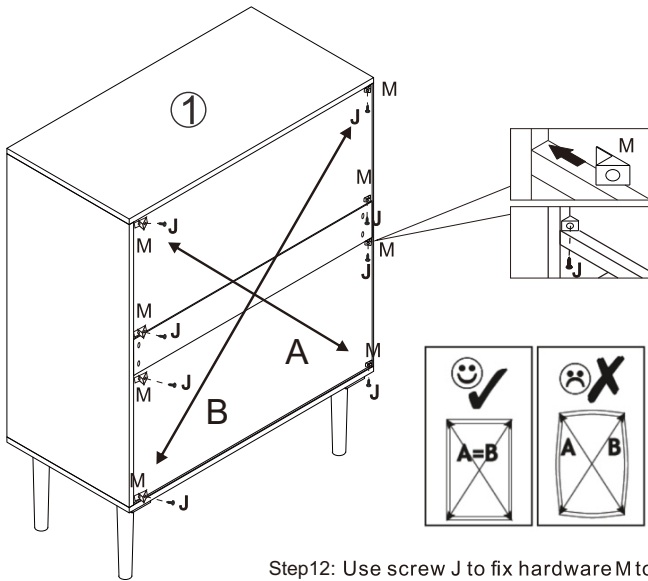
	Gx4
---	-----

Step11: Put part 5 to the cabinet.
Put hardware G to screw hole on Part 2 and 3.

ASSEMBLY STEPS




12

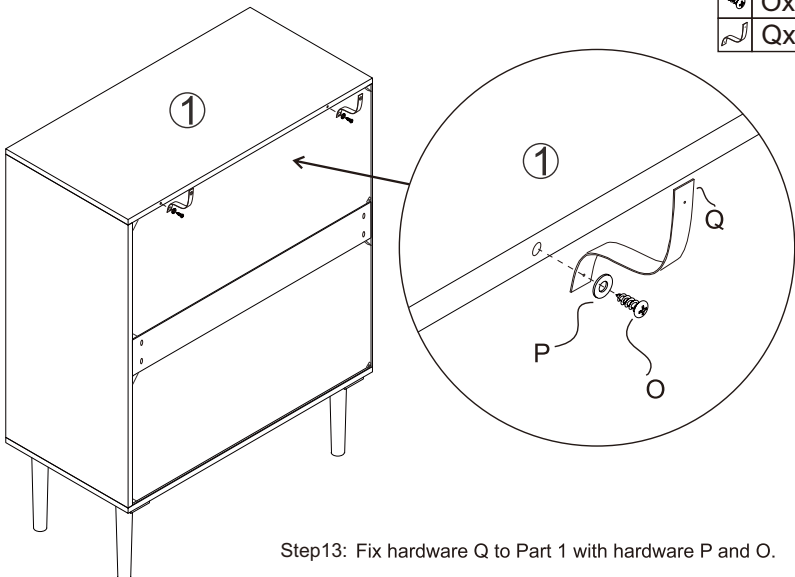
	Jx8
	Mx8



Step12: Use screw J to fix hardware M to the corner.

13

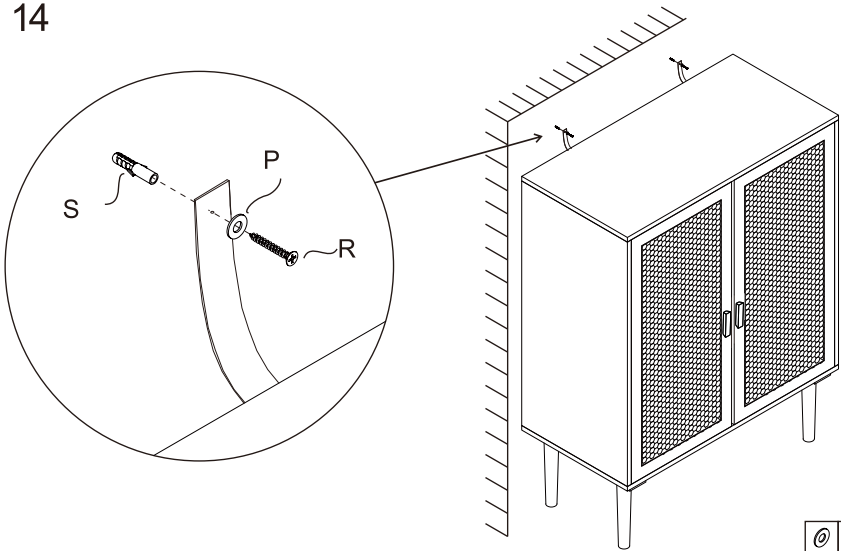
	Px2
	Ox2
	Qx2






Step13: Fix hardware Q to Part 1 with hardware P and O.

ASSEMBLY STEPS

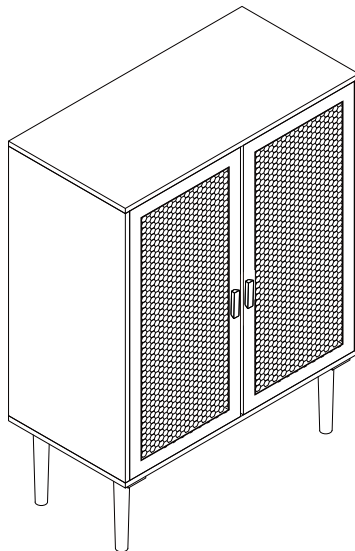
14



Step14: Fix hardware S to the wall.
Fix hardware Q to S with hardware P and R.

	Px2
	Rx2
	Sx2

COMPLETION



PRODUCT PARAMETER

Model					
Color	Black	Wood	Black	Wood	Wood
Product Size(D*W*H)	800*360*880				800*360*880
Packing Size(D*W*H)	920*460*170				920*460*290
Net Weight(kg)	About 18				About 35.5
Gross Weight(kg)	About 19.4				About 38

*Products such as specifications, appearance, and design are subject to modification without prior notice.