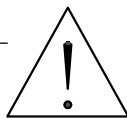
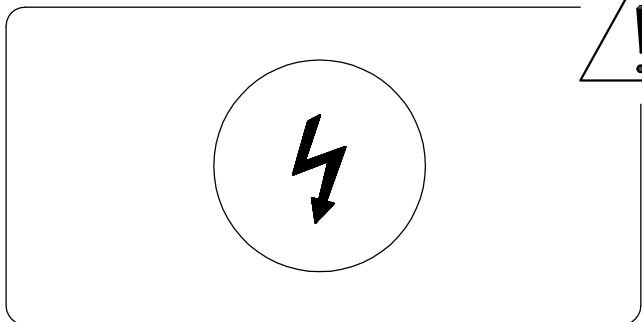
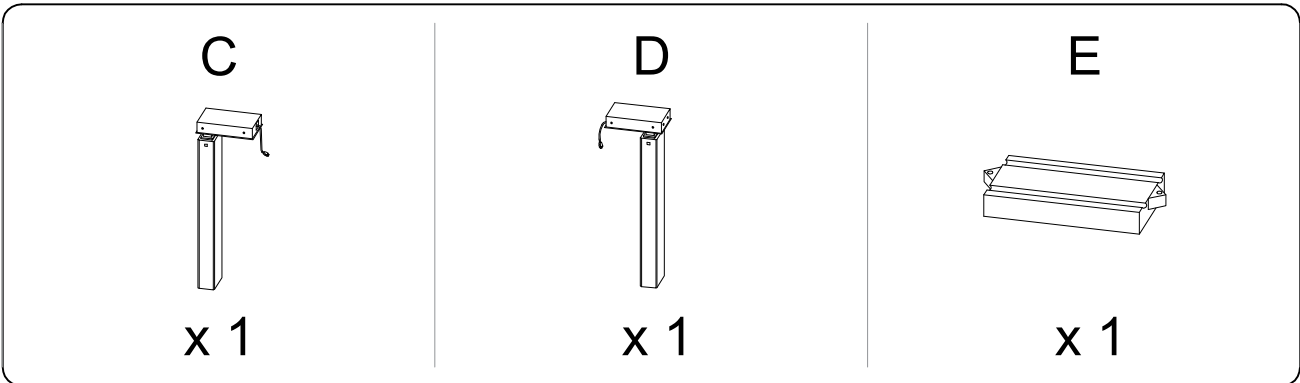
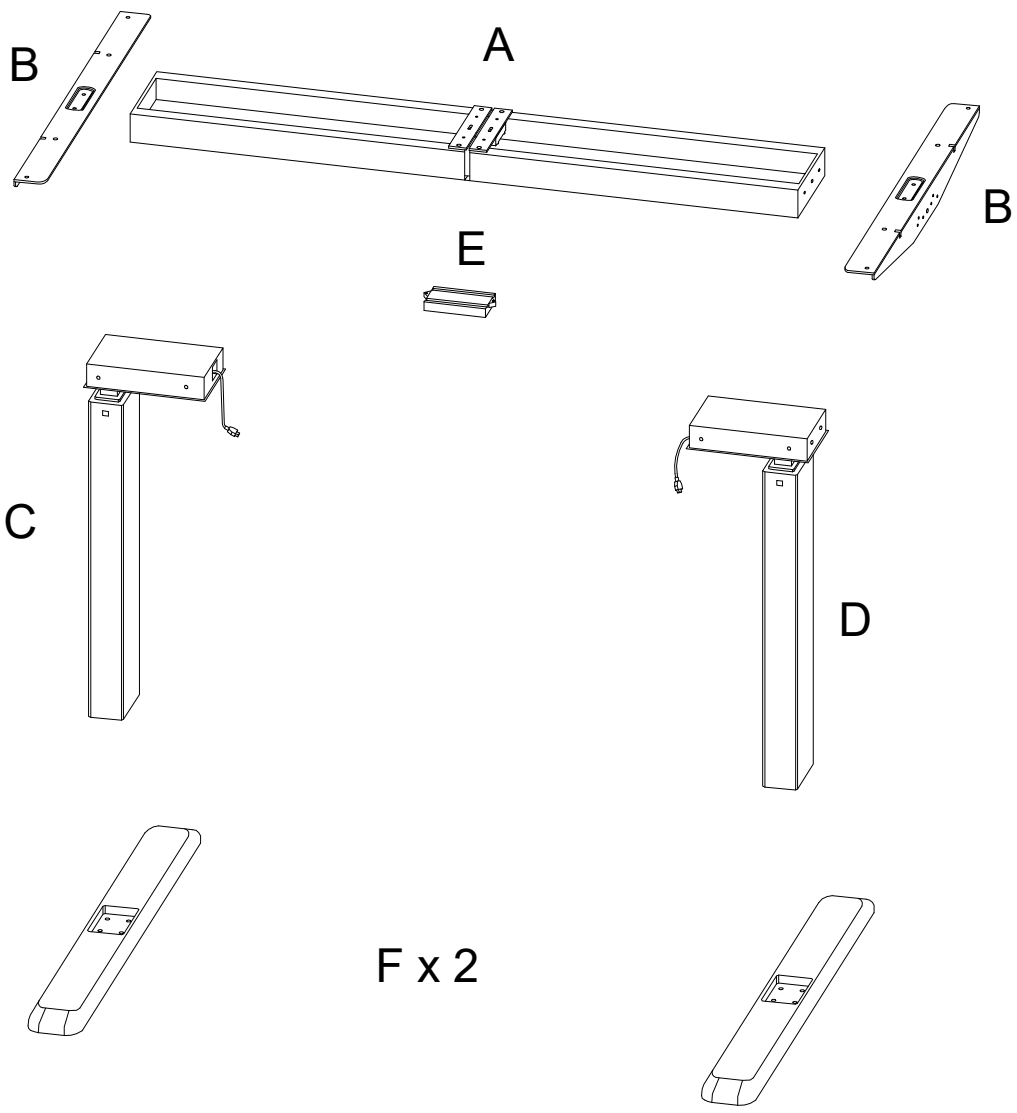
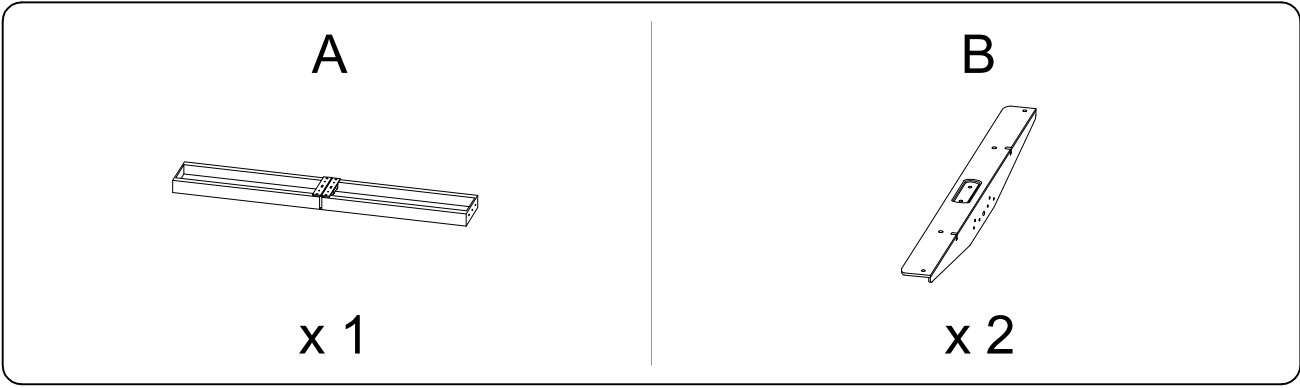


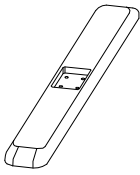
60'



2

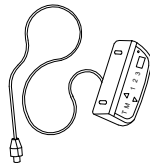


**F**



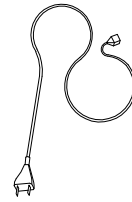
x 2

**G**



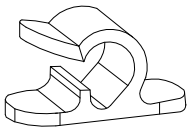
x 1

**H**



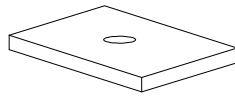
x 1

**I**



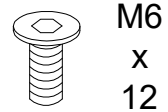
x 3

**J**



x 8

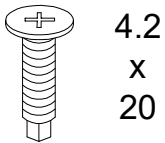
**K**



M6  
x  
12

x 20

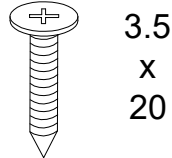
**L**



4.2  
x  
20

x 8

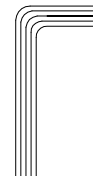
**M**



3.5  
x  
20


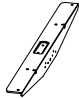
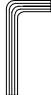
x 2

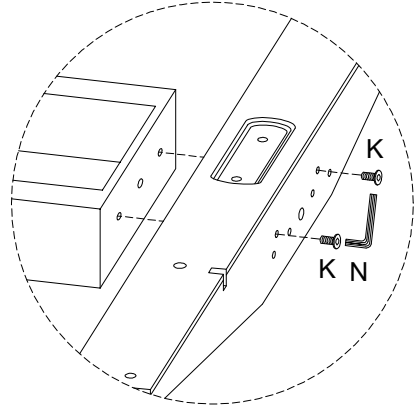
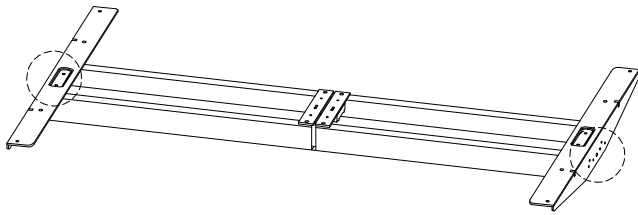
**N**



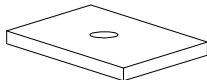
x 1

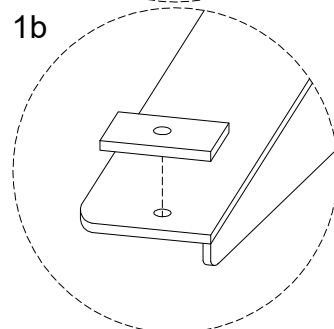
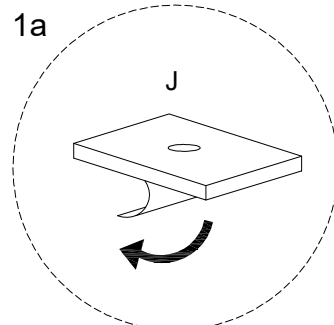
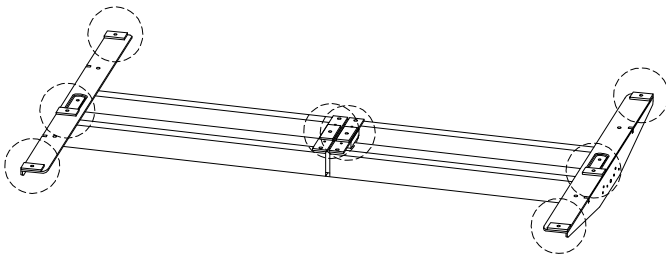
1

<b>A</b>  x 1	<b>B</b>  x 2	<b>K</b> M6 x 12 x 4	<b>N</b>  x 1
--	--	-------------------------------	--



2

<b>J</b>  x 8
--



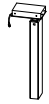
5

C



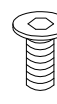
x 1

D



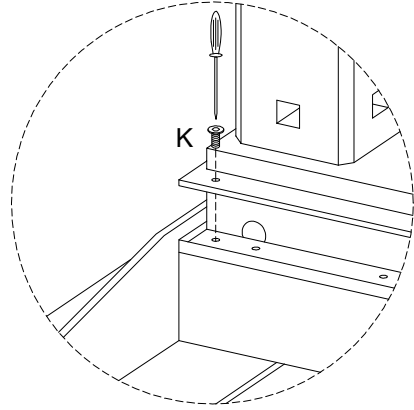
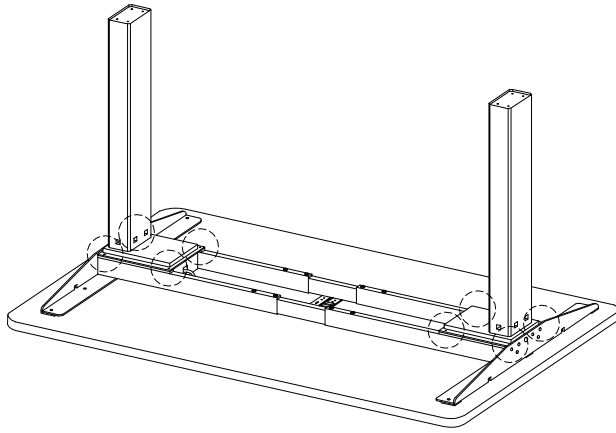
x 1

K



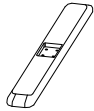
M6  
x 12

x 8



6

F



x 2

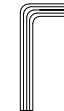
K



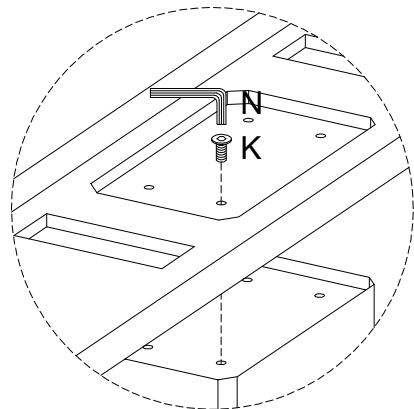
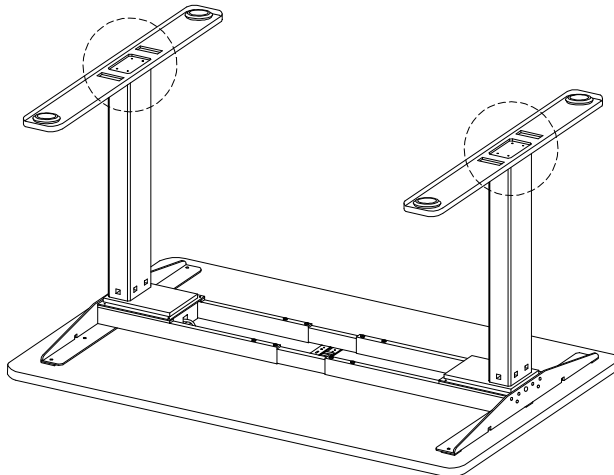
M6  
x 12

x 8

N

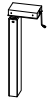


x 1



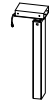
5

C



x 1

D



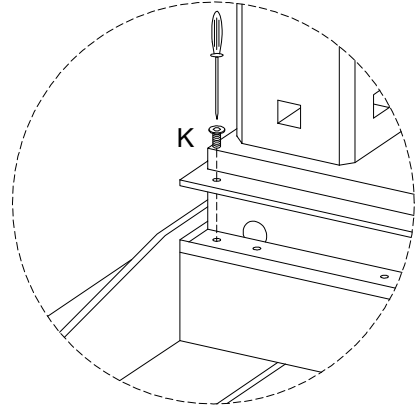
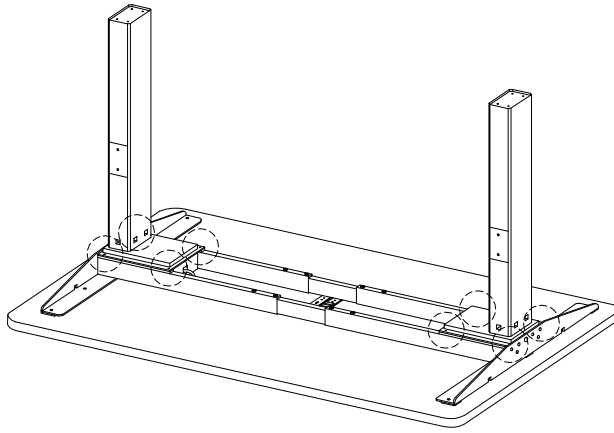
x 1

K



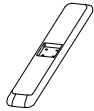
M6  
x 12

x 8



6

F



x 2

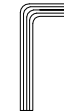
K



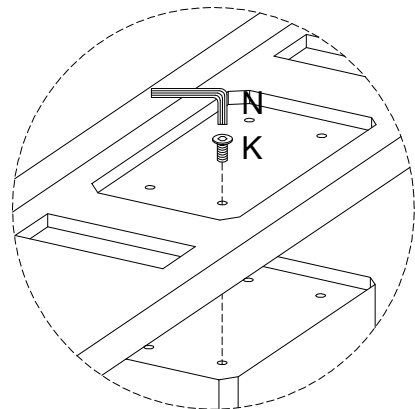
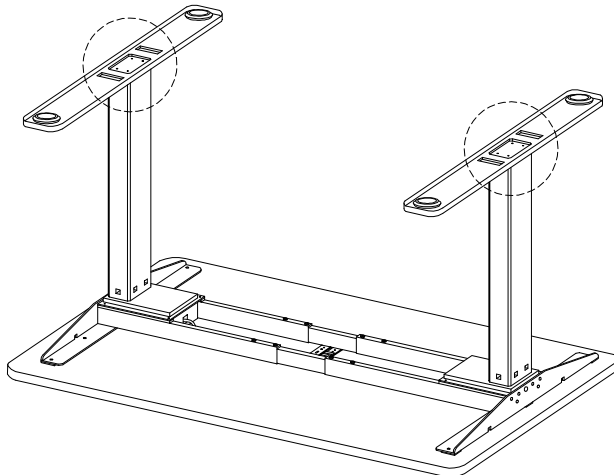
M6  
x 12

x 8

N



x 8

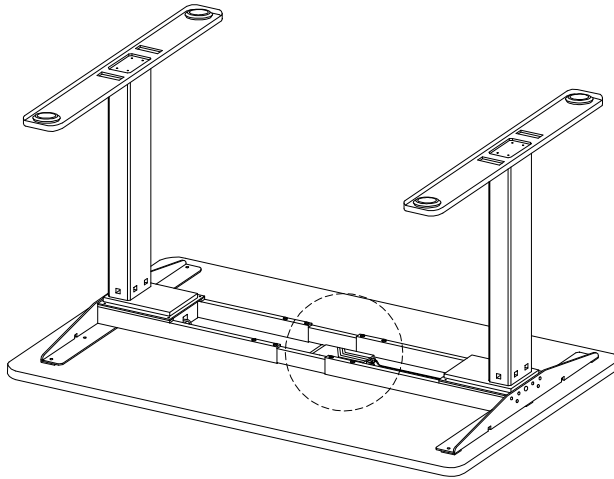


7

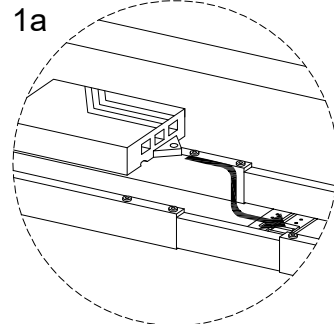
E



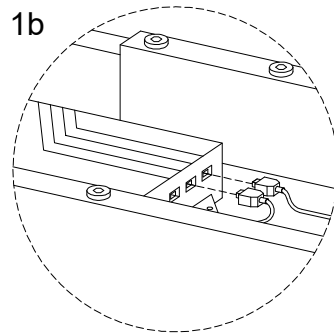
x 1



1a



1b



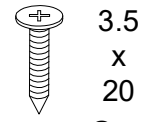
8

G

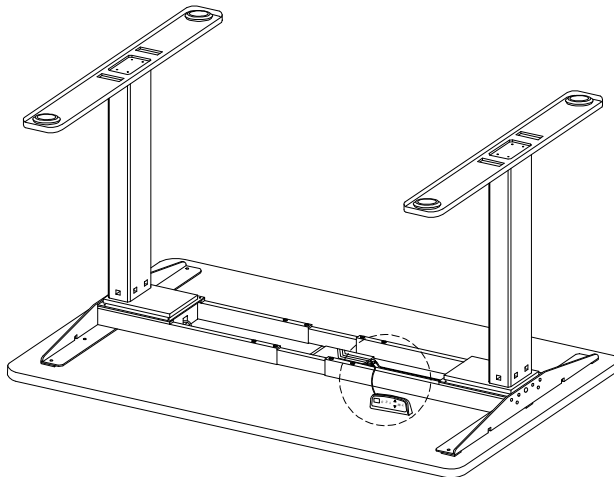


x 1

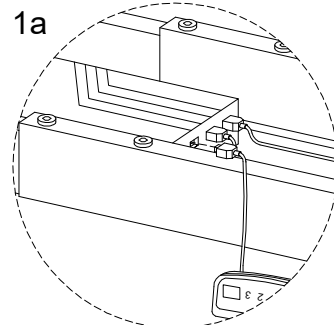
M



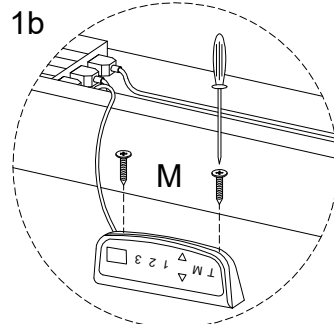
x 2



1a



1b



9

H

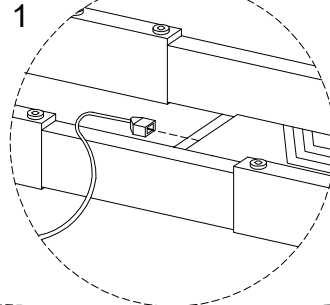
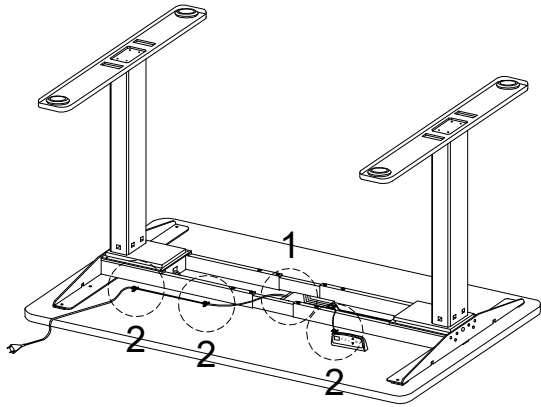


x 1

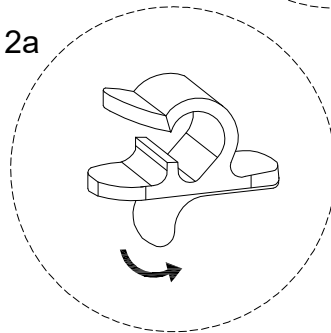
I



x 3



2a



2b

