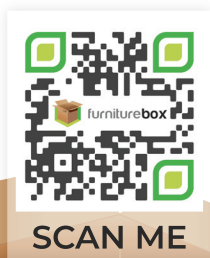
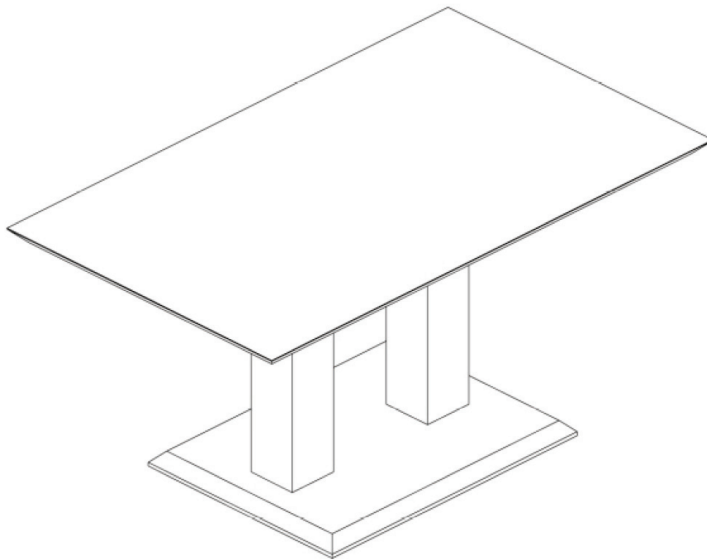




# IMPERIA TABLE

## ASSEMBLY GUIDE



[www.furniturebox.co.uk](http://www.furniturebox.co.uk)

Scan QR code for more tips, advice  
and assembly video or visit  
[furniturebox.co.uk/club/imperia](http://furniturebox.co.uk/club/imperia)

**Important - Please read these instructions fully before starting assembly**



**SAFETY AND  
CARE ADVICE**



**NO POWER TOOLS**

### **SAFETY AND CARE ADVICE**

- Check you have all the components and tools listed.
- Remove all fittings from the plastic bags and separate them into their groups.
- We do not recommend the use of power drills/drivers for inserting screws, as this could damage the unit. Only use hand screwdrivers and Allen keys.
- Keep children and animals away from the work area, small parts could cause choking if swallowed.
- Make sure you have enough space to layout the parts before starting.
- Assemble the item as close to its final position (in the same room) as possible.
- Do not overtighten the nuts to avoid causing damage to the threads.
- Only clean using a damp cloth and mild detergent, do not use bleach or abrasive cleaners.
- From time to time check that there are no loose screws on this unit
- This product should not be discarded with household waste. Take to your local authority waste disposal centre



**Follow us on Instagram**  
**@furniturebox\_uk**

## IMPORTANT INFORMATION



45 MINUTE  
BUILD



TWO  
PERSON

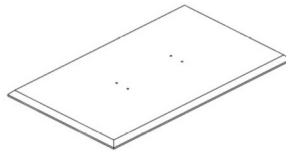


MAXIMUM  
CAPACITY 100Kg

PLEASE CHECK CAREFULLY AND MAKE SURE YOU HAVE ALL FITTINGS AND TOOLS LISTED BELOW BEFORE YOU START.

1 x1

Table top



2 x2






Table legs



3 x1

Table base



<p>A</p>  <p>M8x730mm Threaded Rod X4</p>	<p>B</p>  <p>M8mm Nut X4</p>	<p>C</p>  <p>M8x22mm Metal Washer X4</p>
<p>D</p>  <p>M14mm Box Spanner X1</p>	<p>E</p>  <p>φ30PVC Stickers X4</p>	

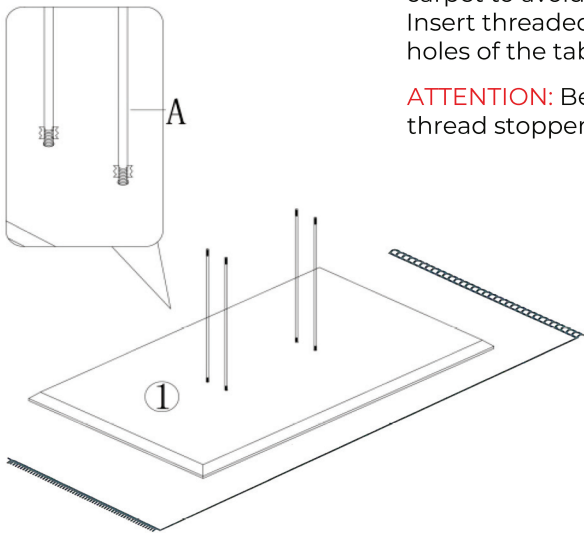
**NOTE:** Fitting A rods are packed in the legs carton and at the side between foam and carton wall and connected with a red ribbon.

**NOTE:** The quantities above are the correct amount to complete the assembly. In some cases more fittings may be supplied than are required.

## STEP 1

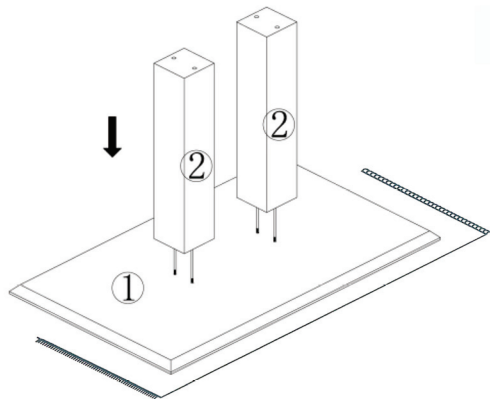
Put the pieces on a flat soft surface e.g. a carpet to avoid scratching or bumping. Insert threaded rods (A) into the assembly holes of the table top (part [1])

**ATTENTION:** Be careful not to over-screw beyond the thread stoppers on the threaded rods.

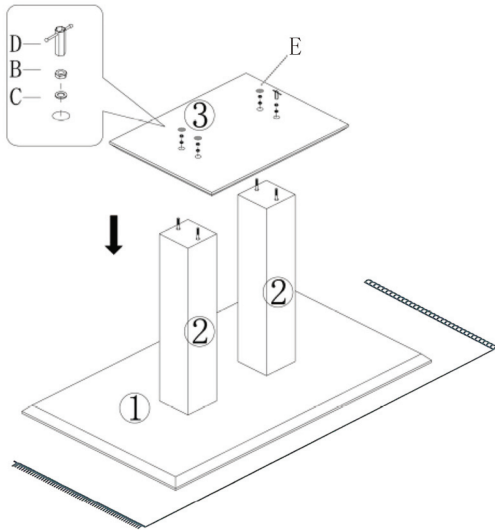


## STEP 2

Place the table legs (part [2]) over the threaded rods as shown.



## FULL ASSEMBLY INSTRUCTIONS



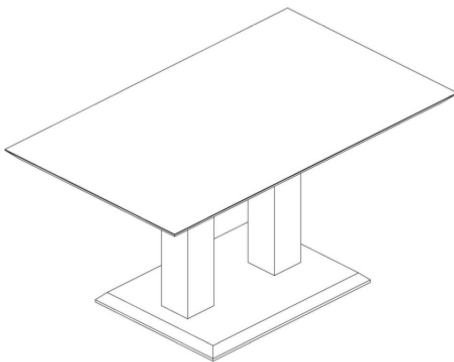
### STEP 3

Attach the table base (part [3]) to the table legs. Secure using fixings (C) and (b), using the Box Spanner (D) to tighten. Once fully tightened cover the holes with Stickers (E)

### STEP 4

Assembly completion

**ATTENTION:** With the help of another person, carefully turn the table over to complete assembly. Your table is now ready to use.





WE **L♥VE** INTERIORS! SHARE  
YOURS WITH US ON SOCIAL MEDIA

1. follow us on Instagram
2. post your interior
3. tag us to be featured



@furnitureboxUK



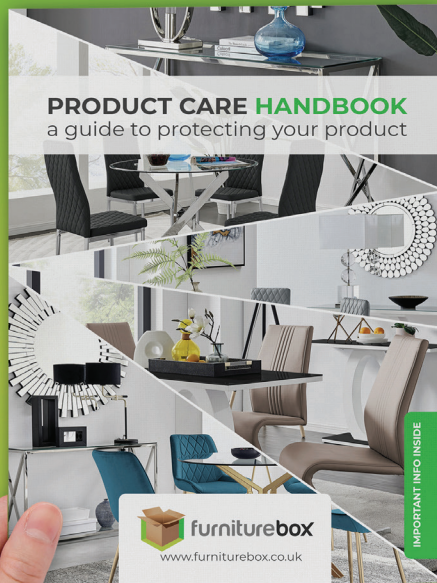
@furniturebox\_uk



@furnitureboxuk

# LOOKING GOOD!

Now you've assembled your product find out how to care for your item and keep it looking brand new.



Look for your care guide in the box or visit:  
[www.furniturebox.co.uk/club/care-guide](http://www.furniturebox.co.uk/club/care-guide)

[www.furniturebox.co.uk](http://www.furniturebox.co.uk)



## OUR 2 YEAR\* GUARANTEE

our products come with a 2 year guarantee to give you peace of mind shopping at Furniturebox

\*excludes some garden furniture items which have a 1 year guarantee



## WHAT THE GUARANTEE COVERS



### PRE-INSERTED FIXINGS

e.g. lose metal threads



### FAULTY JOINTS

e.g. legs bending



### EXTERNAL FIXING FAULTS

e.g. bonding/glue



### STRUCTURAL INTEGRITY

e.g. the frame of the product



## ACTIVATE YOUR GUARANTEE ONLINE

scan this QR code with your phone to read the full guarantee online and register your product. It only takes a moment to fill out. Or visit: [furniturebox.co.uk/our-guarantee](https://furniturebox.co.uk/our-guarantee)

Furniturebox UK, Unit 6, St Modwen's Park,  
Chippenham, SN15 5BD  
Tel: 01747 863333 Email: [sales@furniturebox.co.uk](mailto:sales@furniturebox.co.uk)