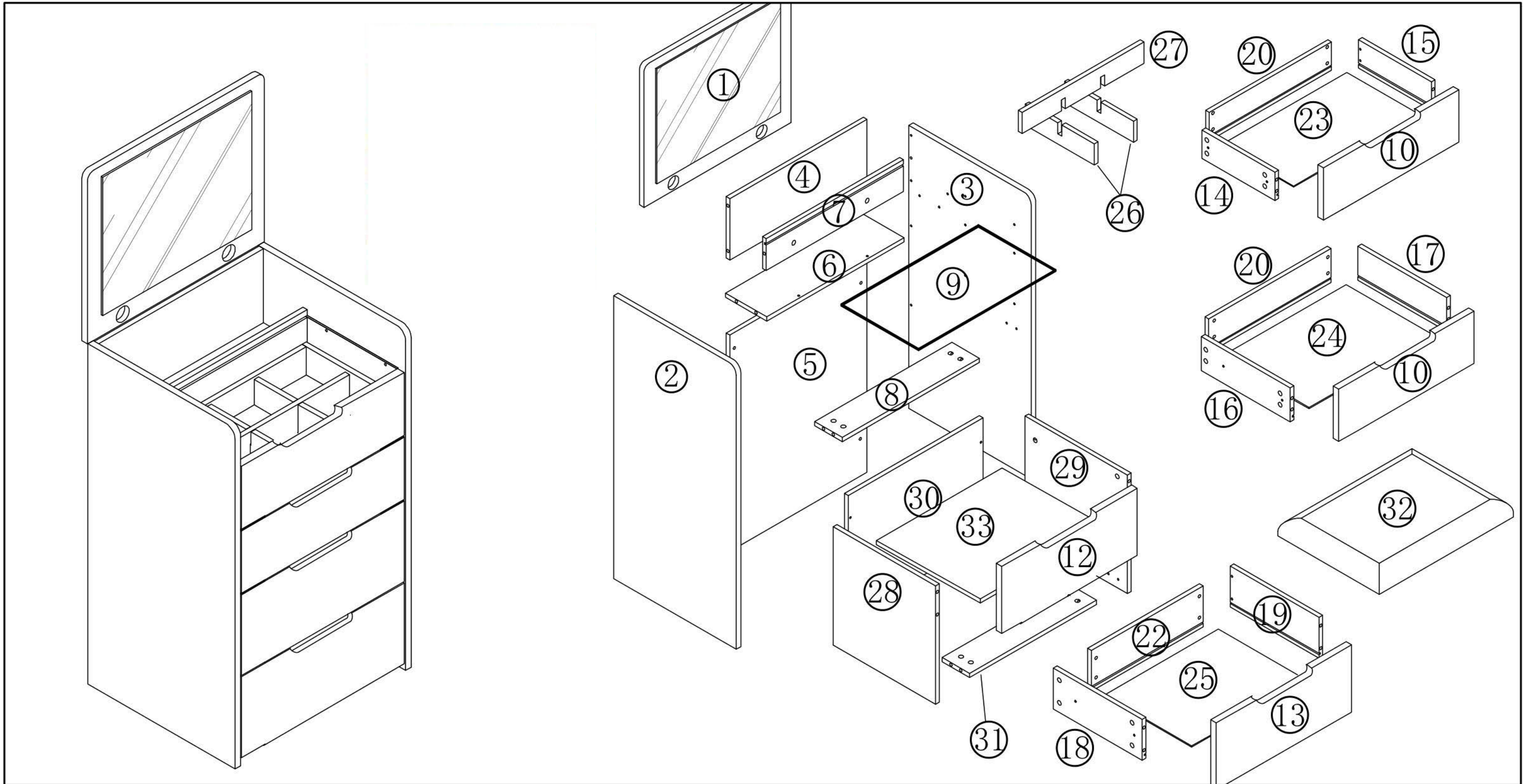

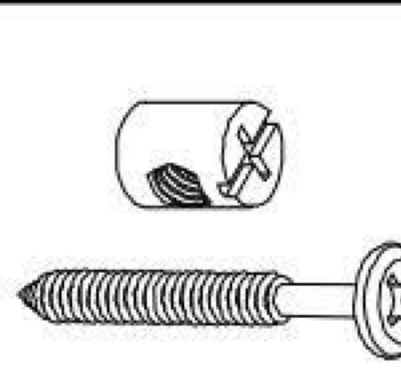
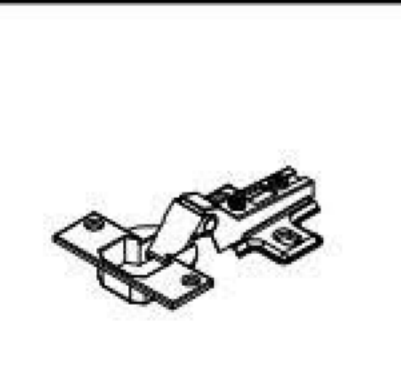



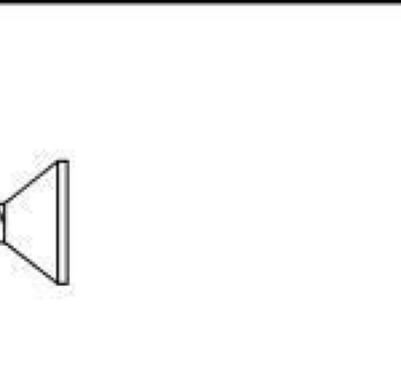
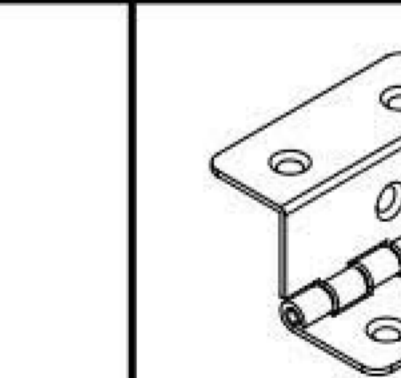


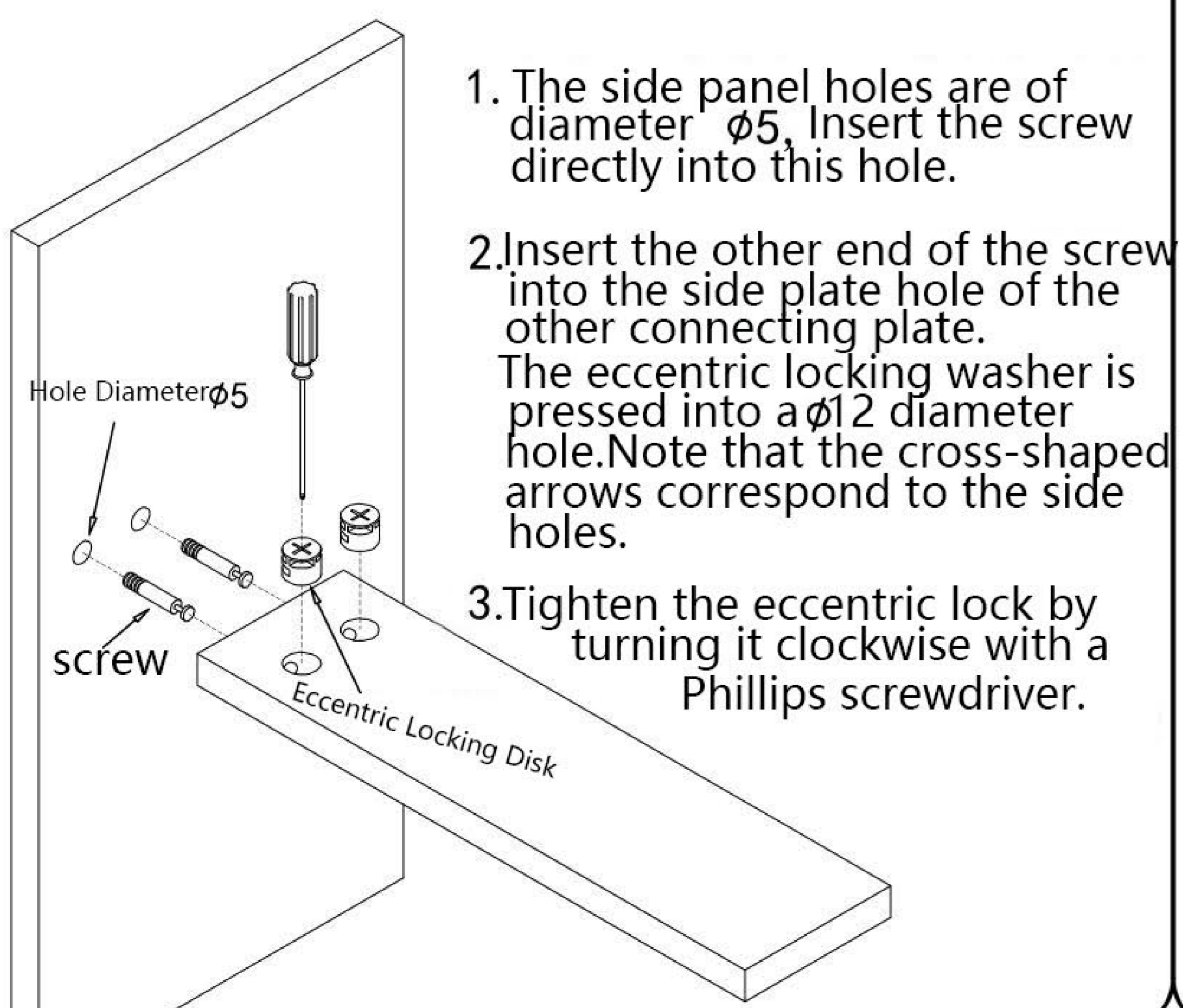
Dressing Table Manual



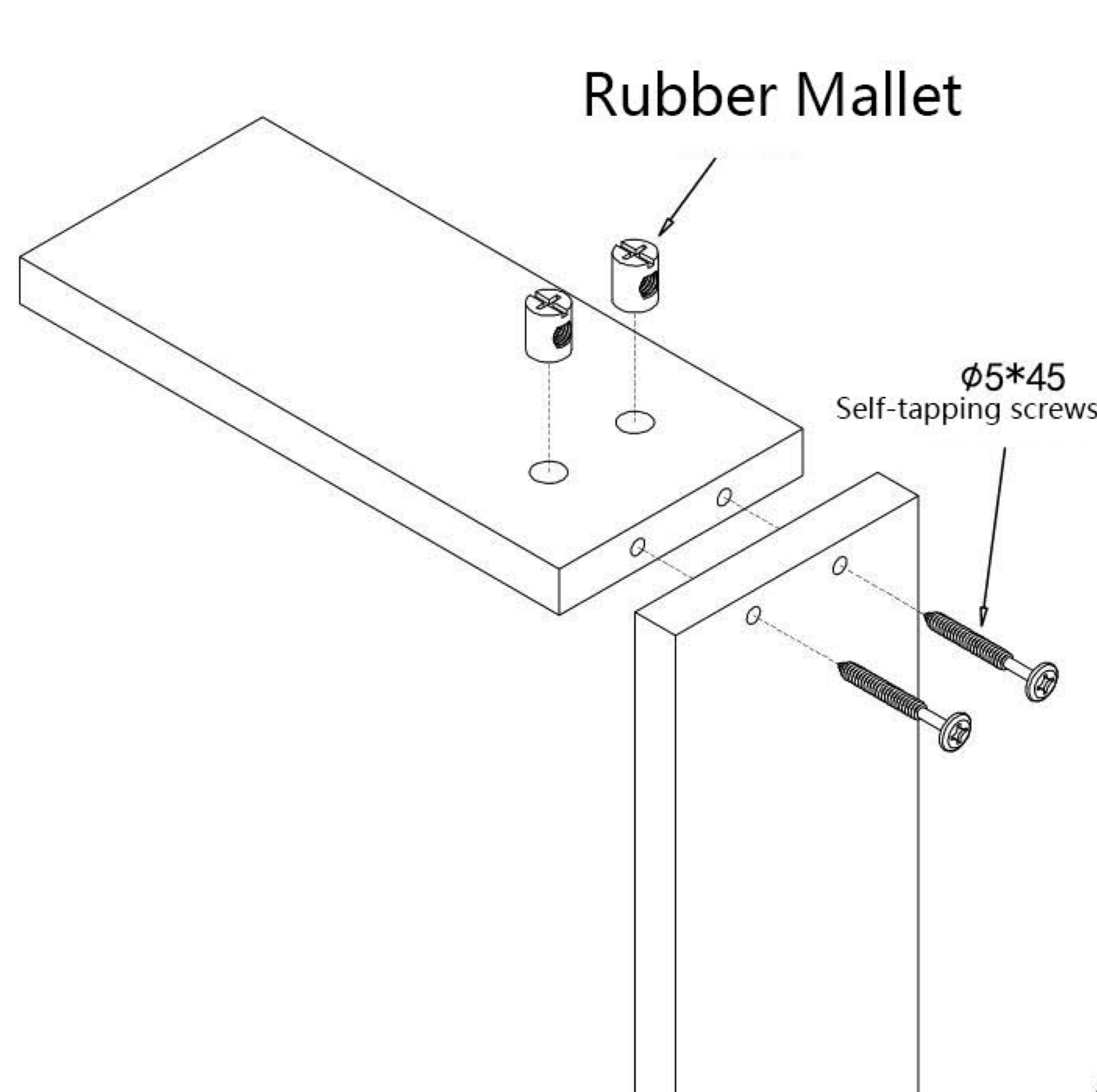
- ① 1panel
- ② 1 piece of left panel
- ③ 1 right side panel
- ④ One back panel on top
- ⑤ The back panel below
- ⑥ 1 piece of plywood
- ⑦ partition plate
- ⑧ 1 piece of pasta
- ⑨ Tea glass 1 piece
- ⑩ Top pull-out panel
- ⑪ No numbering
- ⑫ 1 Fake Drawer Front Panel (Wide)
- ⑬ 1 bottom drawer panel (wide)
- ⑭ 1 Small Left Drawer side Panel
- ⑮ 1 small right drawer side panel
- ⑯ 1 left middle drawer side panel
- ⑰ 1 right middle drawer side panel
- ⑱ 1 large left drawer side panel
- ⑲ 1 large right drawer side panel
- ⑳ Top drawer back panel
- ㉑ No numbering
- ㉒ 1 bottom drawer panel (shorter)
- ㉓ 1 bottom drawer panel
- ㉔ 1 middle drawer bottom panel
- ㉕ 1 bottom drawer panel (shorter)
- ㉖ Two pieces of vertical grid panels
- ㉗ One piece of striped plywood
- ㉘ One piece of the left side panel for the dressing table
- ㉙ One piece of the right side panel for the dressing table
- ㉚ One makeup stool backrest
- ㉛ Dressing stool pull bar 1 piece
- ㉜ Makeup stool cushion 1 piece
- ㉝ One piece of vanity stool shelf

	A	B	C	D	E	F	H	I	J
Name	Three-in-one	Two-in-one	Door hinge	Guide rail	Pallet Support Boards	Self-tapping screws		Subscript	Cleats
Graphic	 The screw has self-tapping threads								
specifications	φ12/L=40		Straight bend	10"	φ8*18	φ3.5*12	φ4*30		

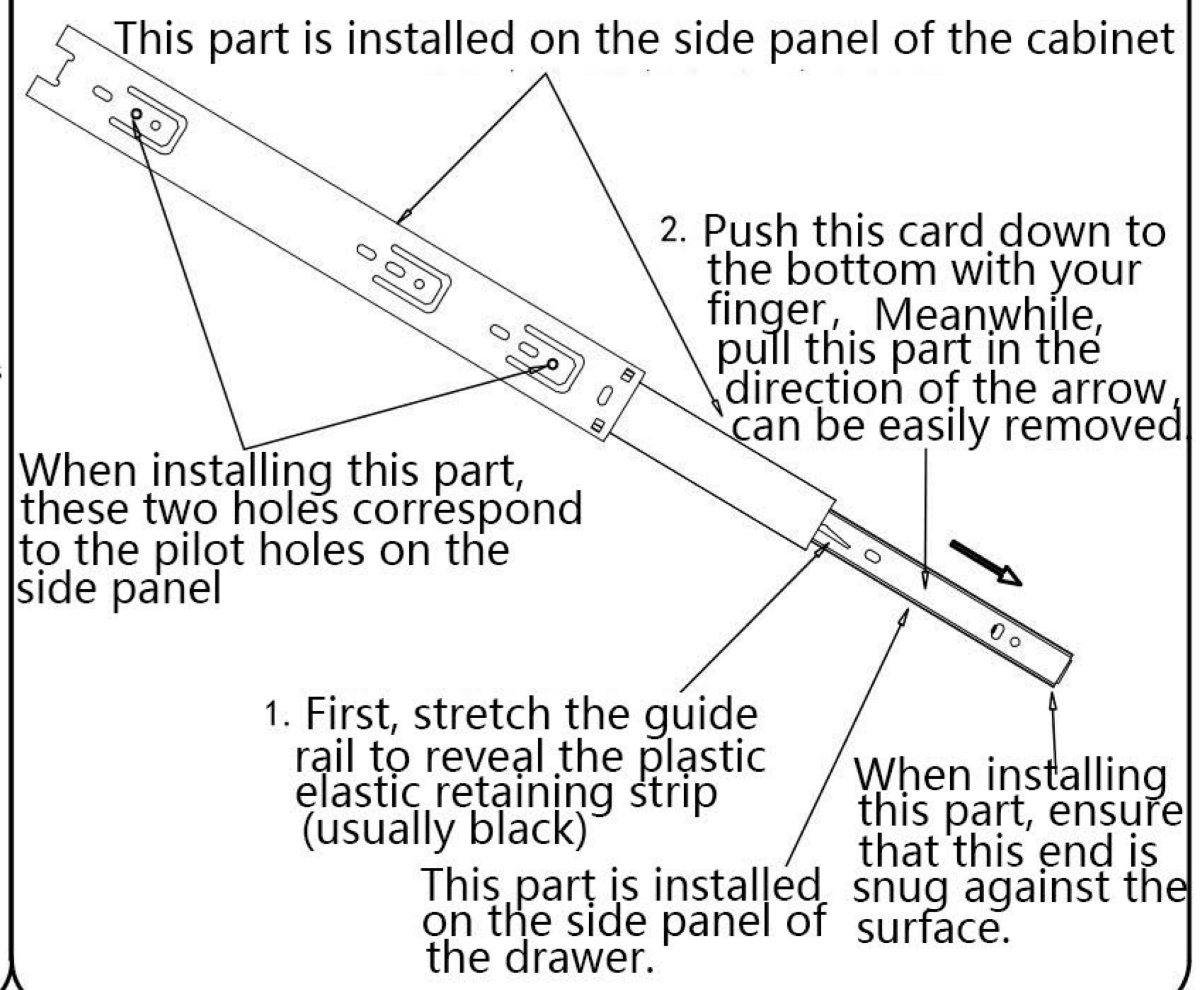
Three-in-One User Manual



User Manual for Dual-Function Device

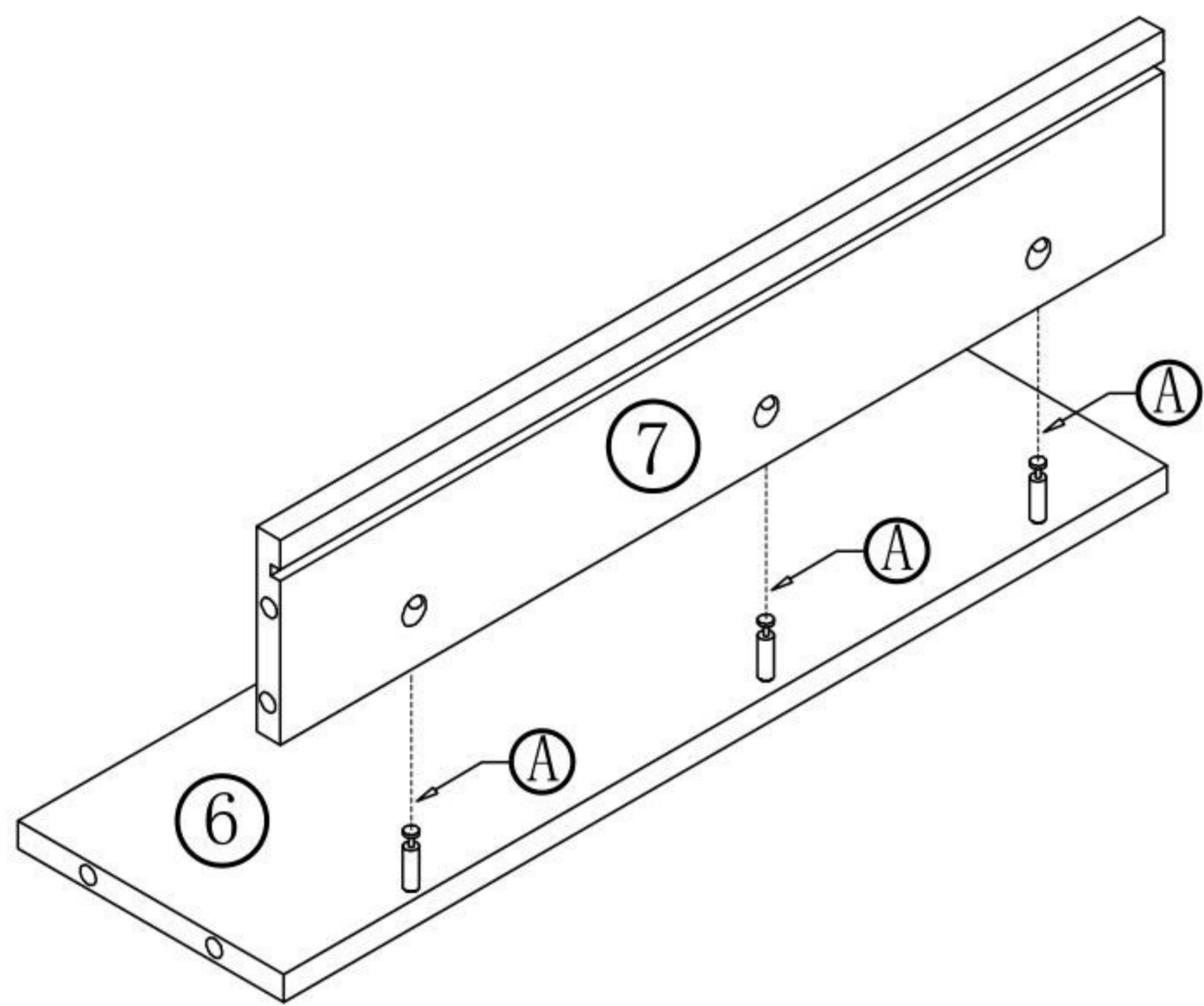


Instructions for the Use of Guide Rails

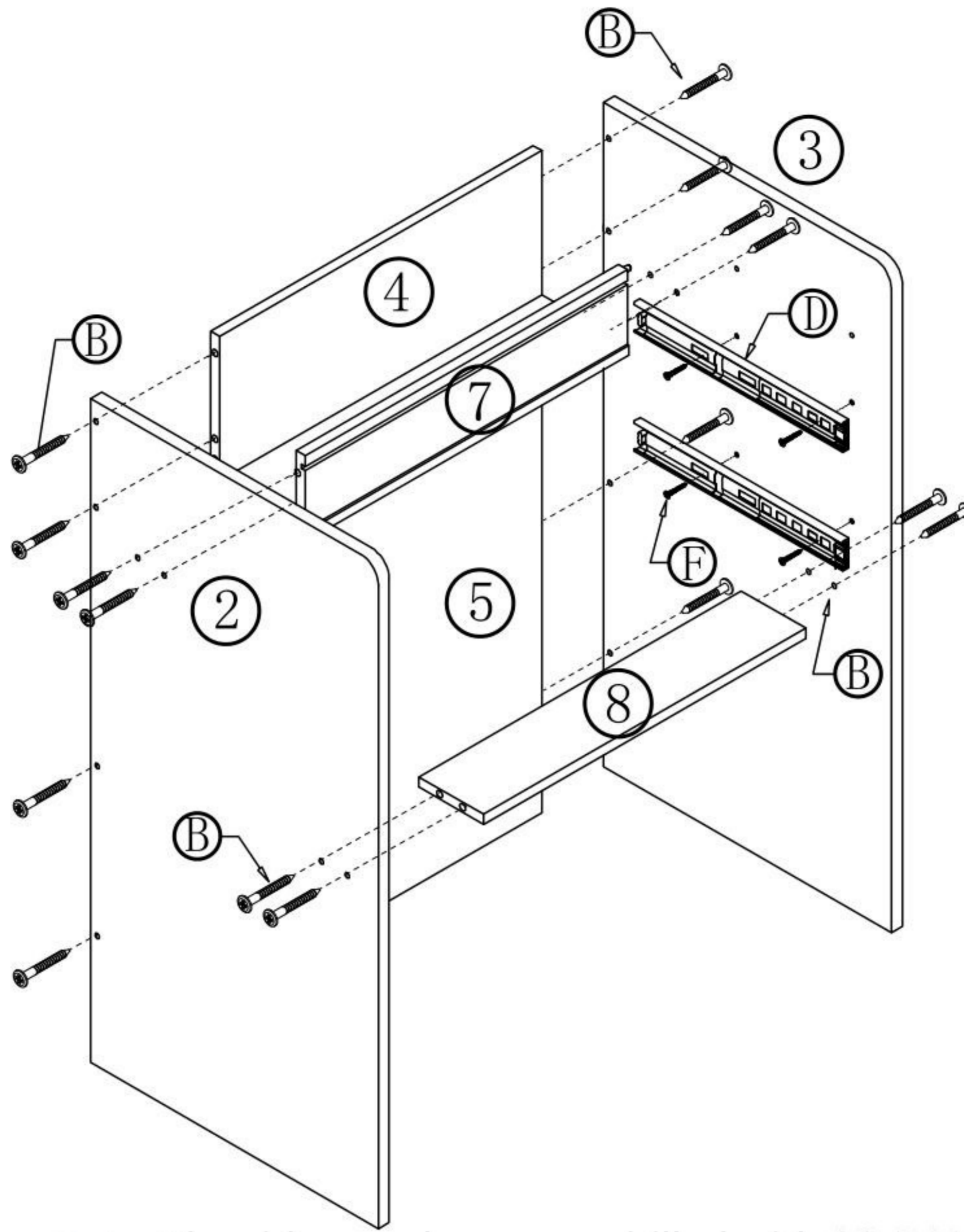


Installation Steps

Step 1: Connect the partition and the upper back panel to the shelf with a three-in-one connector.

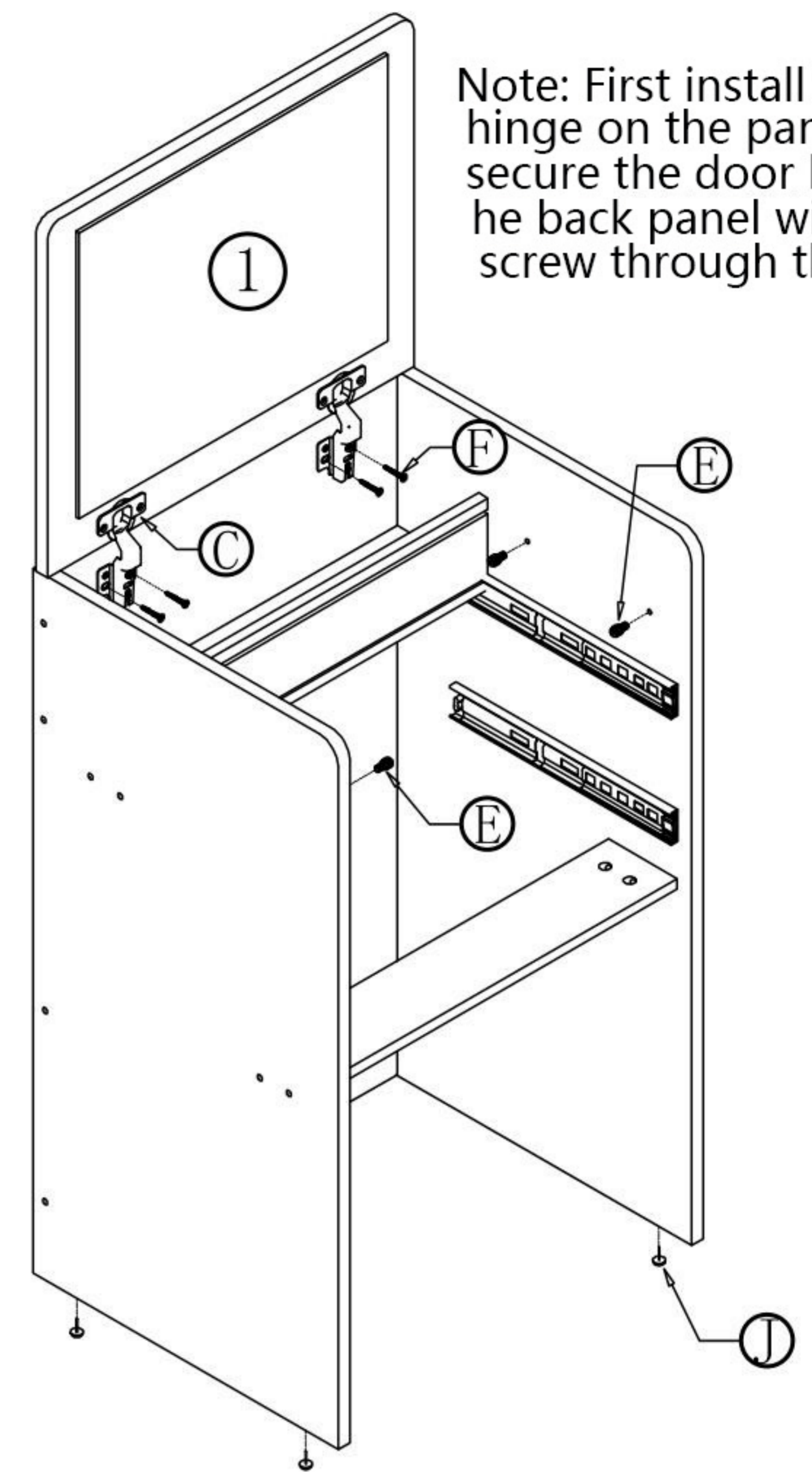


Step 2: Install the stretcher, lower back panel, and side panels



Note: The side panels are pre-drilled with $\phi 3.5 \times 12$ screws to install the guide rails.

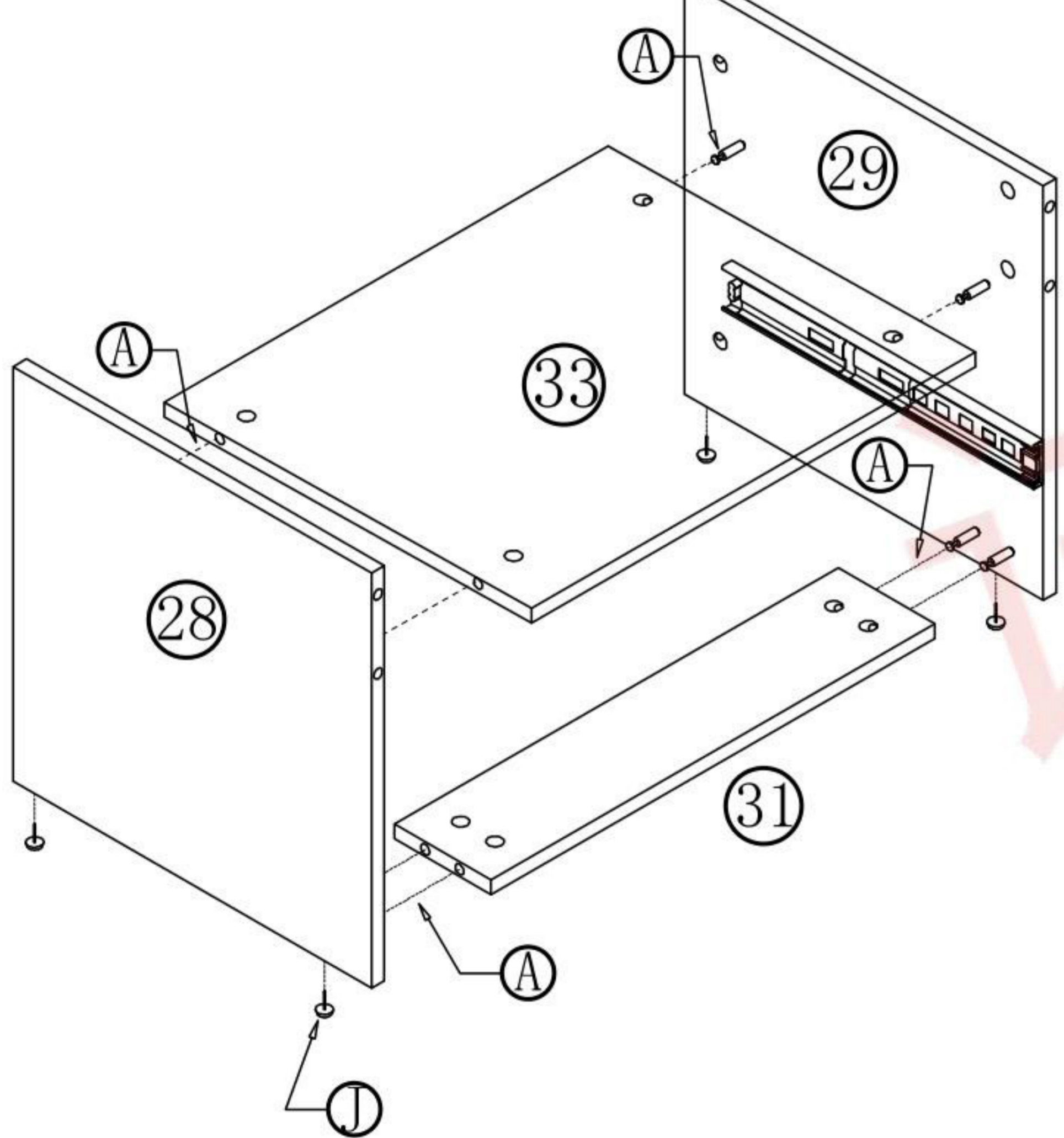
Step 3: First, drive in the foot nails, then install the panel.



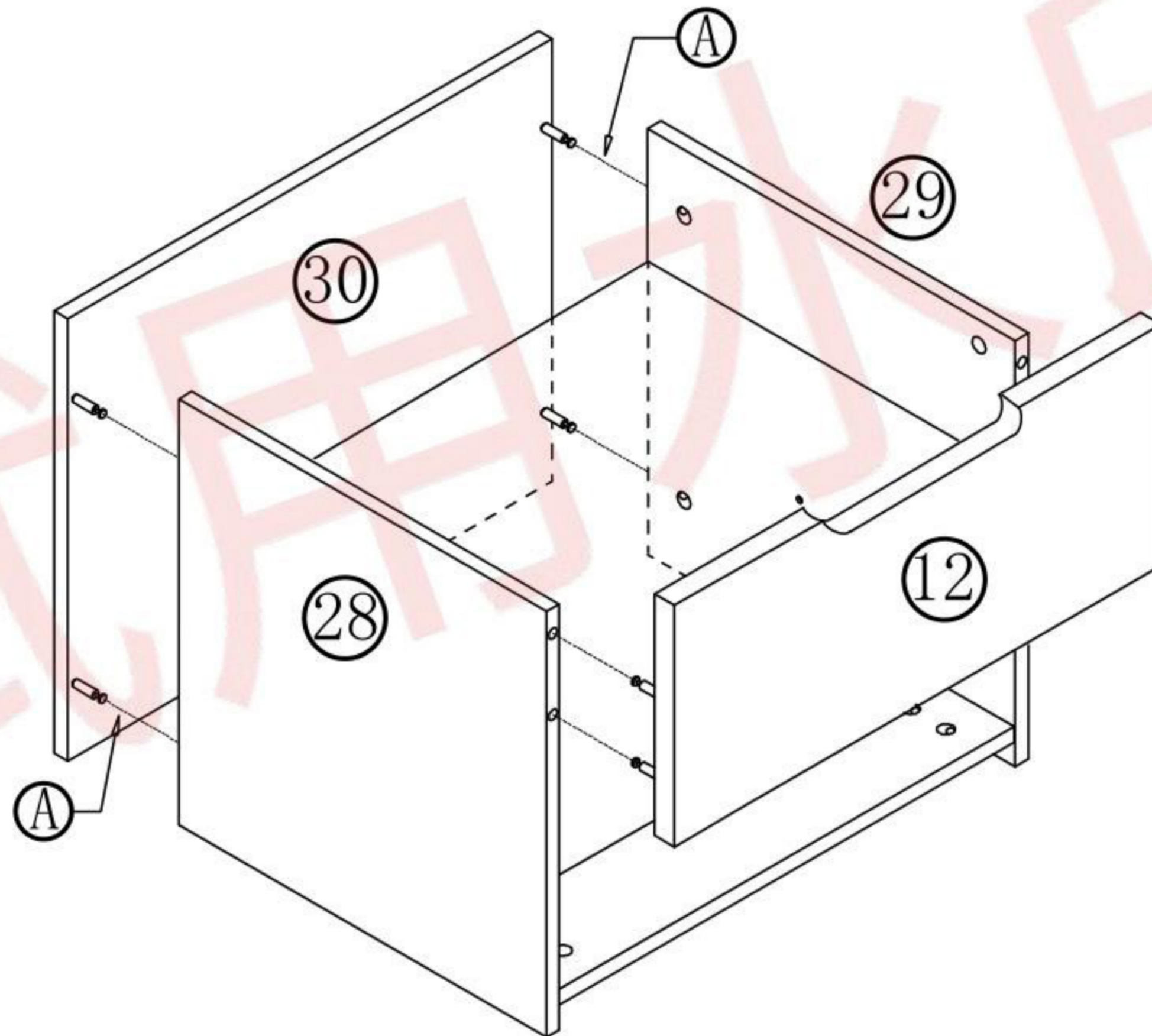
Note: First install the door hinge on the panel, then secure the door hinge to the back panel with a $\phi 3.5 \times 14$ screw through the pilot hole.

Step 4: Assemble the side panels and crossbars of the dressing stool as per the diagram using a three-in-one method.

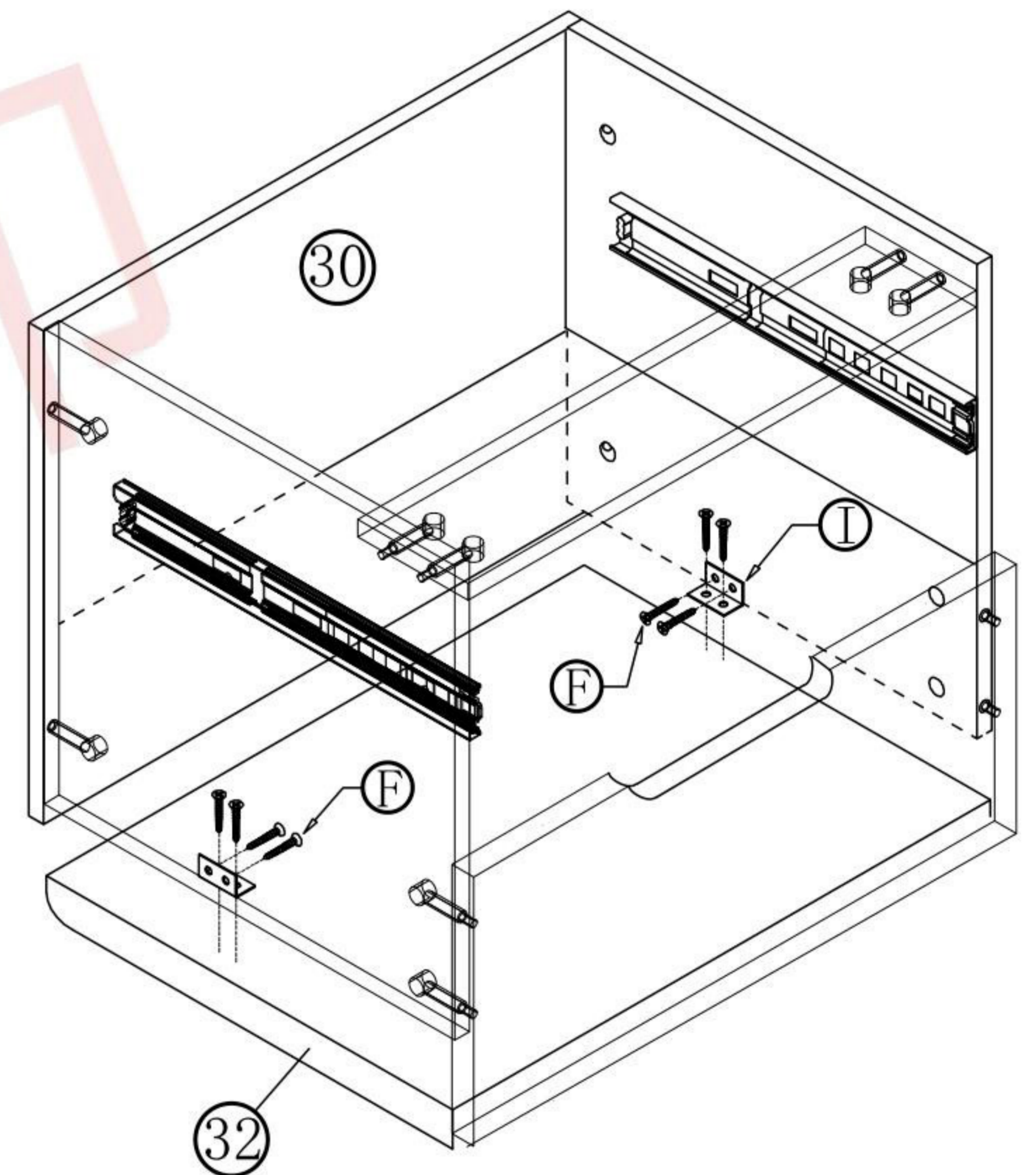
Note: First, install the side panel brackets and then install the guide rail strips with $\phi 3.5 \times 12$ screws according to the pilot holes.



Step 5: Install the Dressing Stool Back Panel and Dummy Drawer Faces

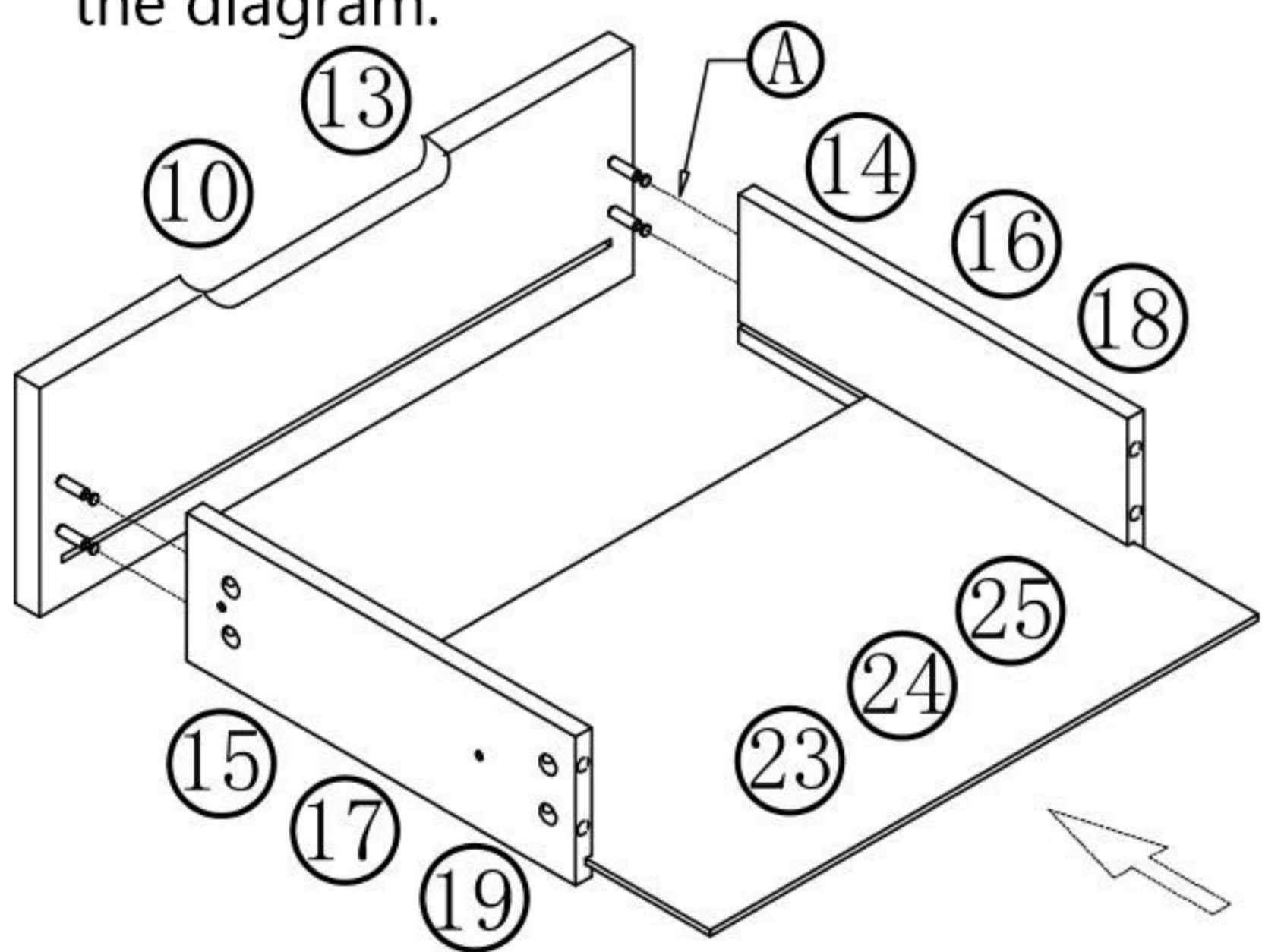


Step 6: Install the Seat Cushion

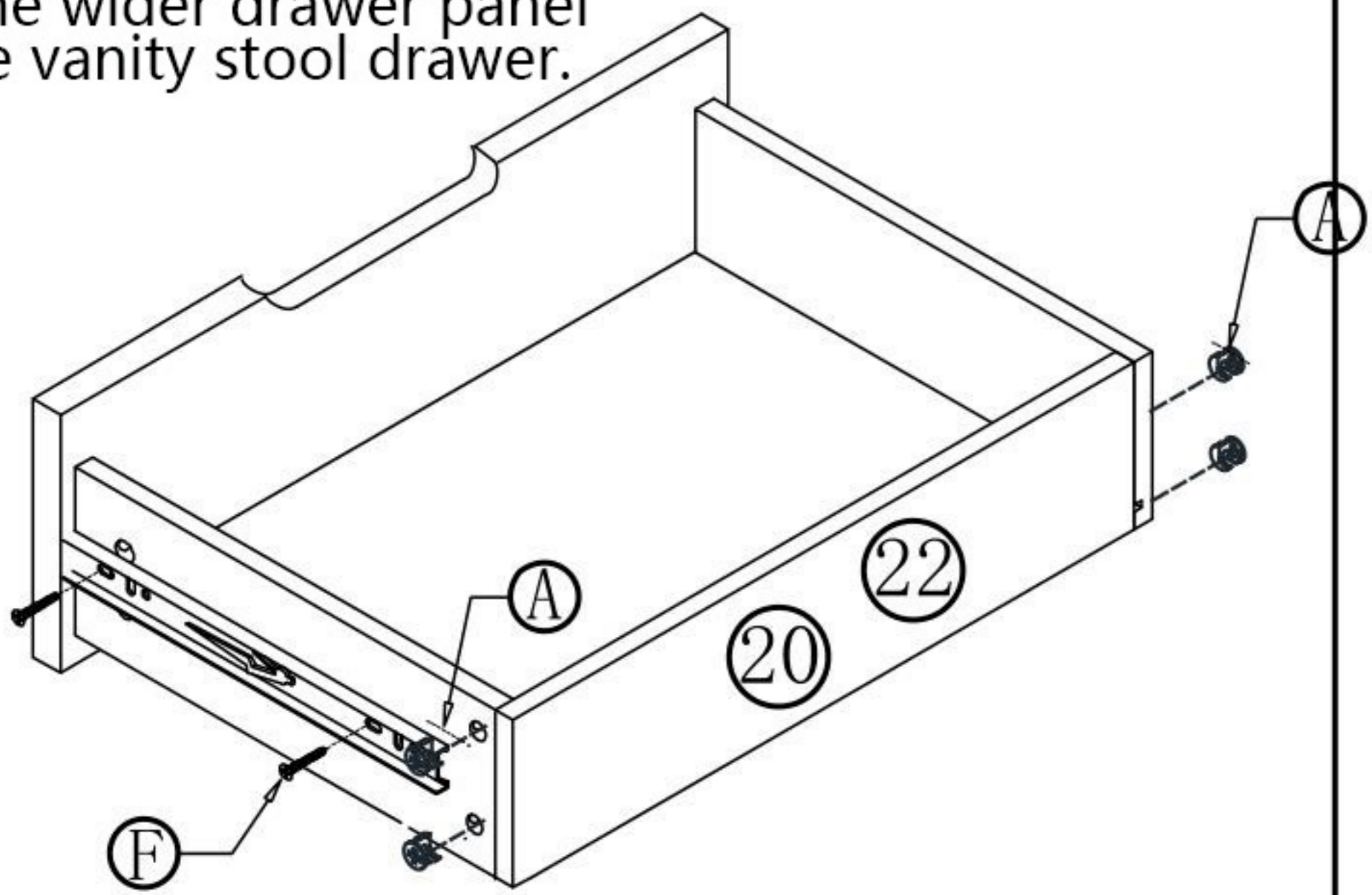


Note: Place the seat cushion in the correct position, invert the vanity stool, and secure it to the side panel using screws and small corner brackets

Step 7: Assemble the drawers according to the diagram.



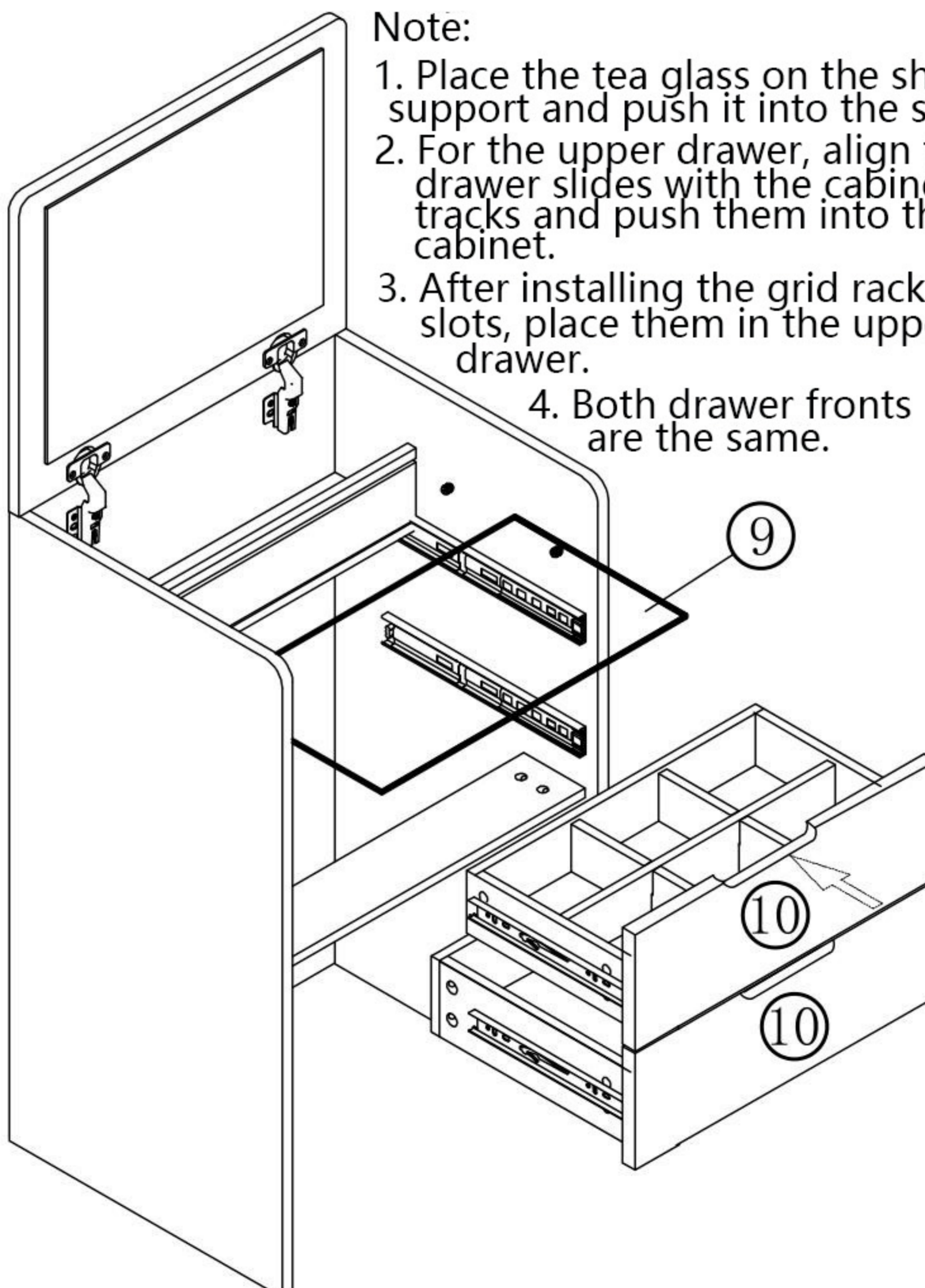
Note: The wider drawer panel is for the vanity stool drawer.



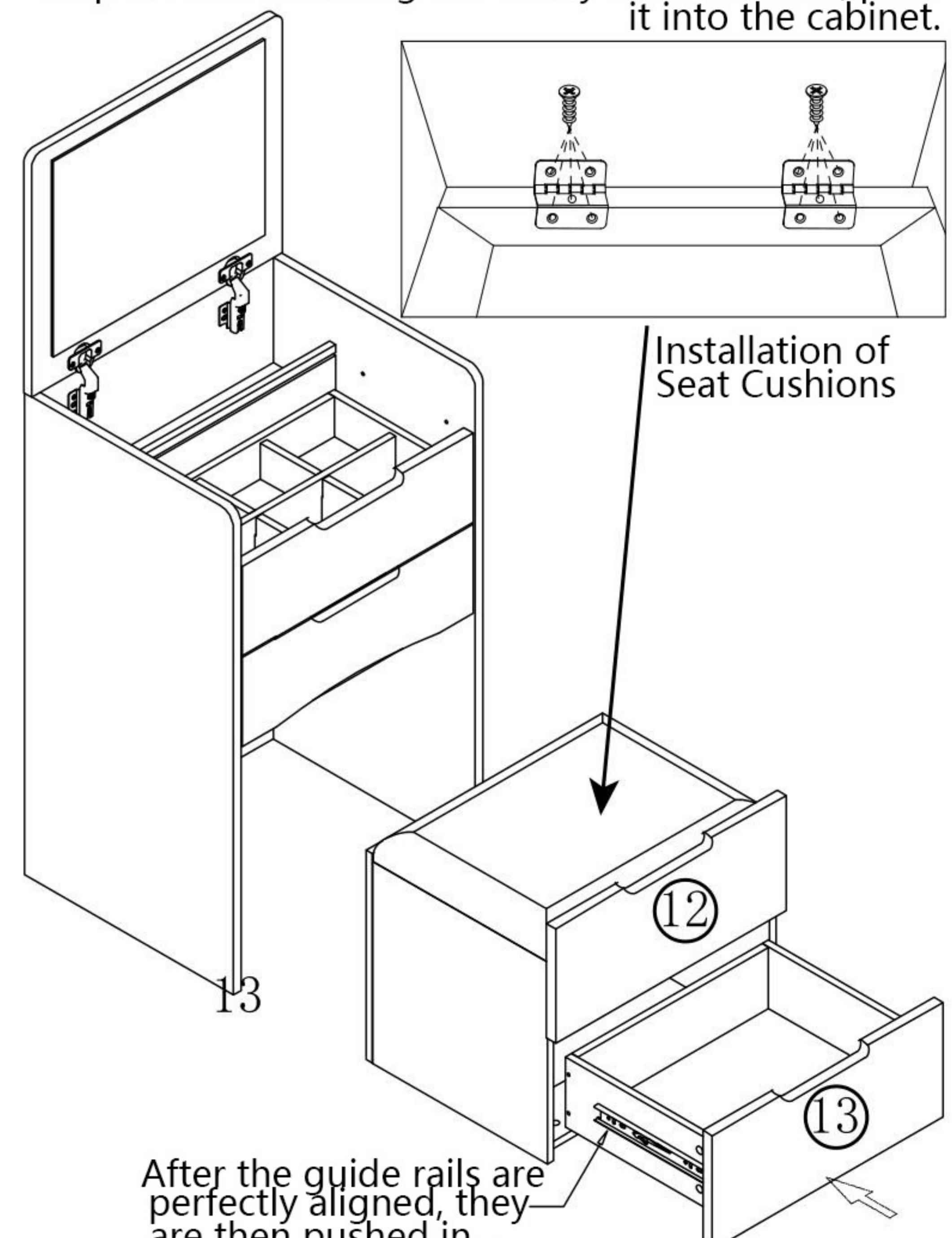
Step 8: Install the tea glass and drawers

Note:

1. Place the tea glass on the shelf support and push it into the slot.
2. For the upper drawer, align the drawer slides with the cabinet tracks and push them into the cabinet.
3. After installing the grid rack slots, place them in the upper drawer.
4. Both drawer fronts are the same.



Step 9: After installing the vanity stool drawers, push it into the cabinet.



Installation of Seat Cushions

After the guide rails are perfectly aligned, they are then pushed in.