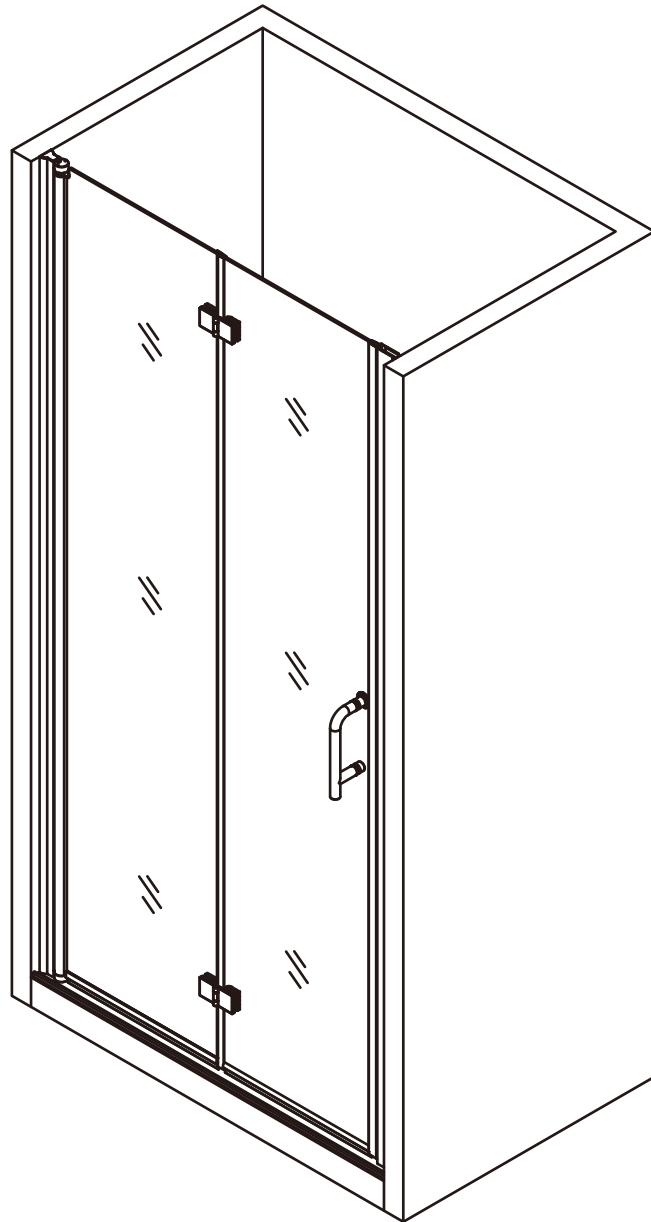


Installation Manual

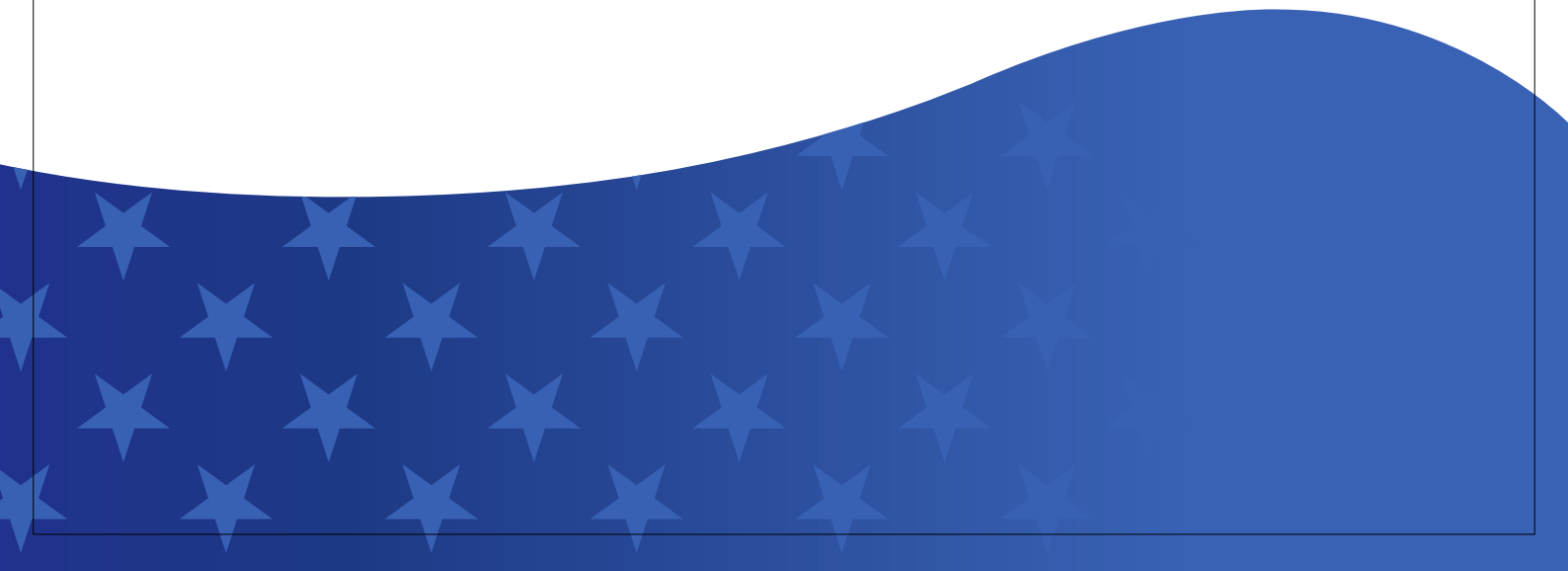


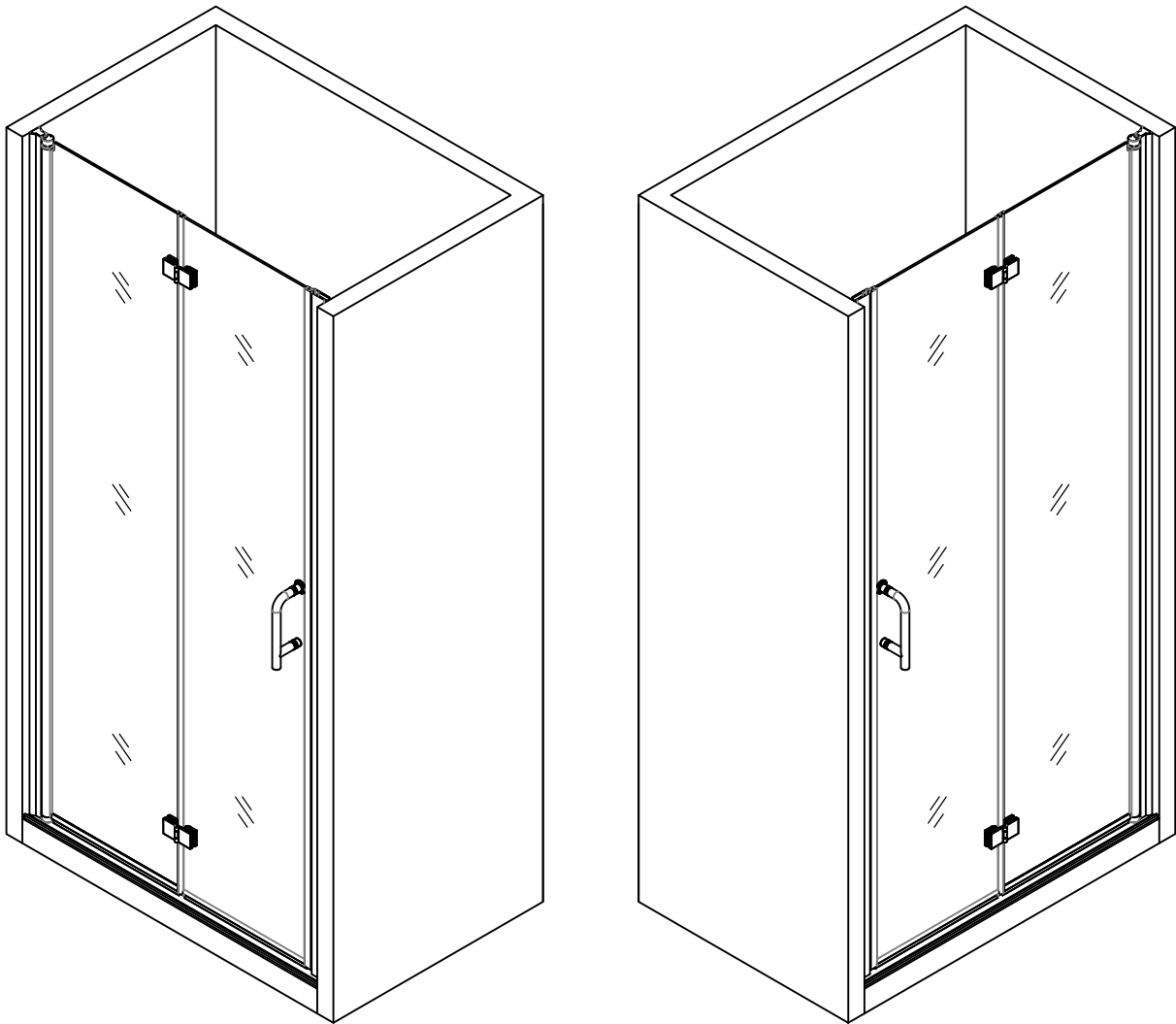
Alcove Bifold Shower Door

Applicable Model: RX-SD04-3072MB, RX-SD04-3272MB,
RX-SD04-3472MB, RX-SD04-3672MB, RX-SD04-3072CH, RX-SD04-3272CH

INDEX

1. Installation Preparation	P01-06
2. Model Dimension	P07
3. Installation Instruction	P08-22
4. TroubleShooting	P23



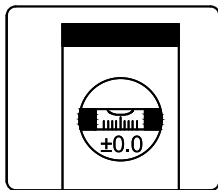


Reversible For a Left or Right Door

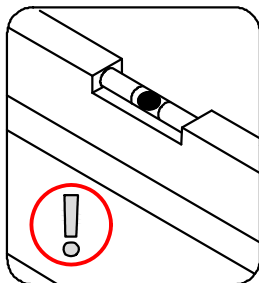
**Please Do Not Return the Product to the Store.
Contact us with any questions.**

Model Specific Preparation

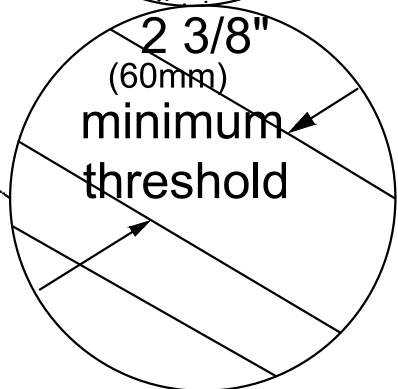
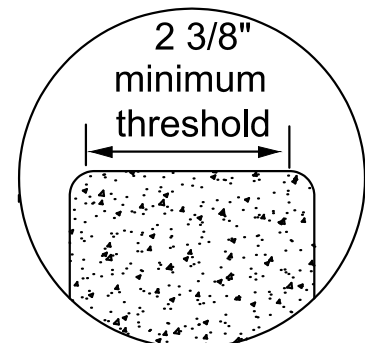
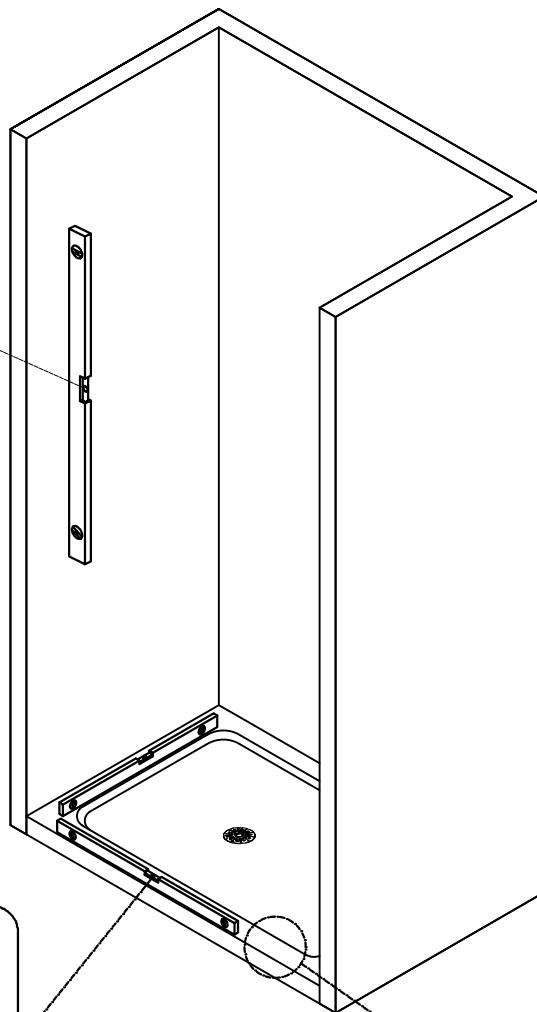
 REQUIRED:



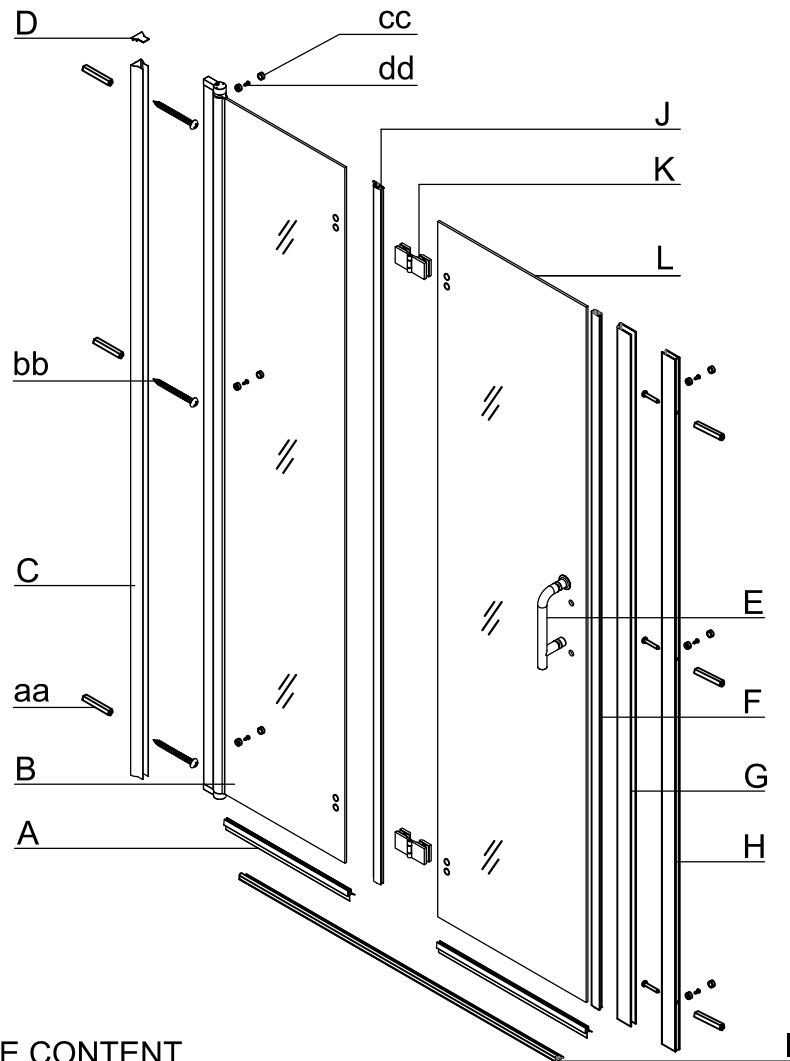
3/8" (10mm)
Out-of-Plumb
Adjustment within
the Wall Profile;
Verify threshold and
walls with a level.



Threshold must be level



PACKAGE CONTENT



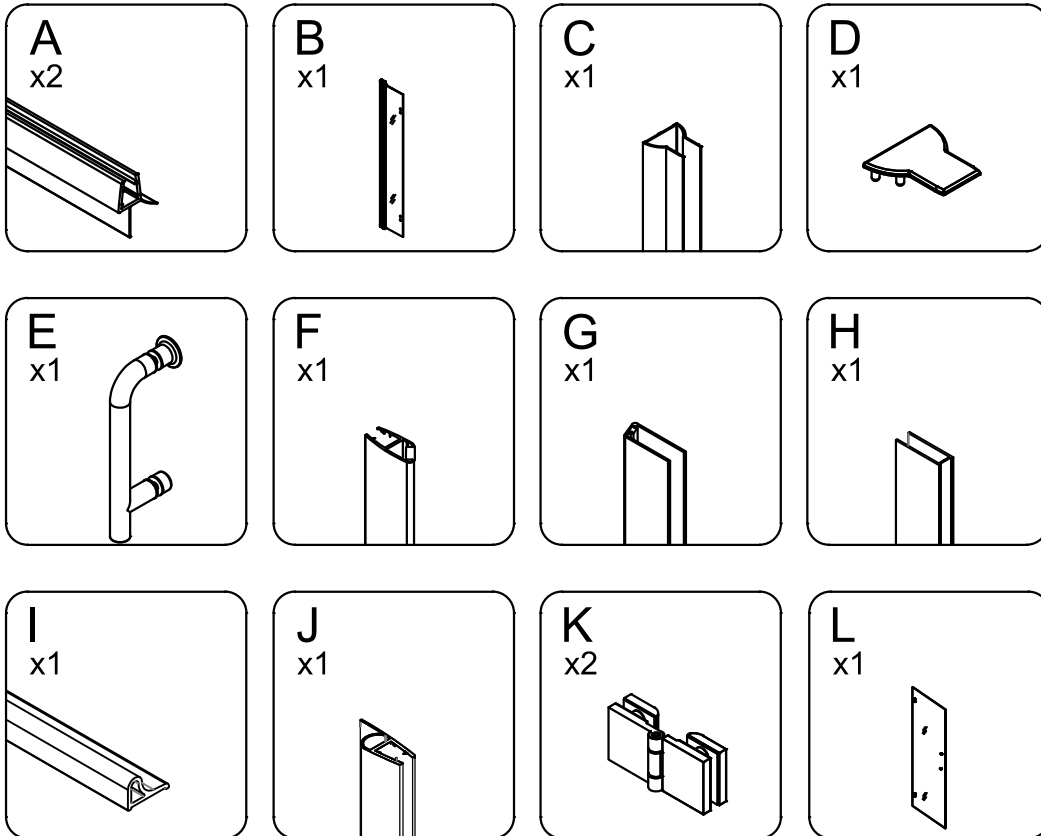
PACKAGE CONTENT

PART#	DESCRIPTION	QTY	PART#	DESCRIPTION	QTY
A	Bottom Gasket	2	G	Magnetic Seal Aluminum channel	1
B	Door panel-1	1	H	U channel	1
C	Wall Jamb	1	I	Alu. Threshold	1
D	Top Cover Cap	1	J	Vertical Gasket	1
E	Handle	1	K	Hinge	2
F	Magnetic strip	1	L	Door panel-2	1

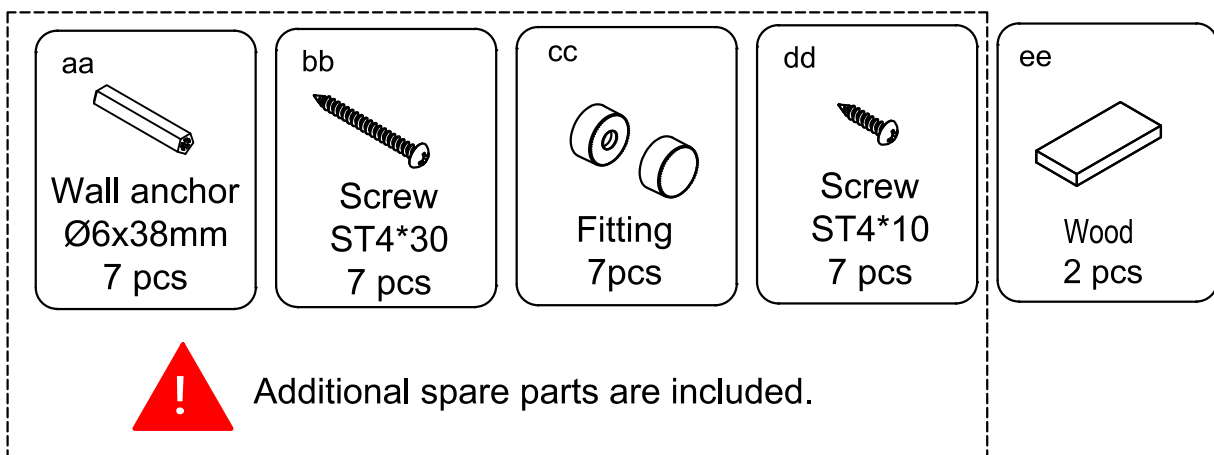


Inspect all parts for missing prior to installation!
Contact us for any part missing.

PACKAGE CONTENT



HARDWARE CONTENT



Inspect all parts for missing prior to installation!
Contact us for any part missing.

TOOLS REQUIRED

Drill Bits

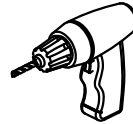


3.2/6mm dia.
HSS

Screw Driver



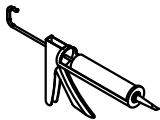
Drill



Level



Silicone



Measuring Tape



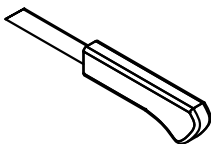
Soft Head
Hammer



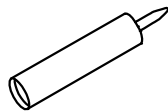
Pencil



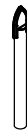
Knife



Sealant



MASONRY DRILL
BIT FOR TILE
Ø6mm



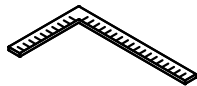
Safety Glasses



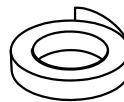
Glove



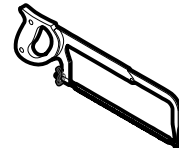
Carpenter's Squarer



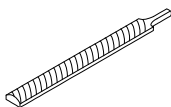
Masking or painter's
tape



Hack Saw



Metal File



SAFETY INFORMATION

CAUTION

Please carefully read the following important safety information before handling or installing this shower. There is a risk of serious injury while handling this product.

To minimize these risks, please note:

- Always wear safety glasses and gloves while handling.
- Always follow the installation instructions.
- Inspect glass for damage before installation.
- Extreme caution should be taken while handling the glass during installation as the tempered glass may shatter if in contact with a hard surface.
- Do not cut or modify the tempered glass as it will shatter if cut.
- Carefully remove product from packaging and keep packaging until installation is complete.
- Inspect all parts for damage or missing; if there is damage or part missing to the unit prior to installation, please contact customer service at the number provided in this guide.
- Cover the drain with tape to prevent the loss of small parts.
- The shower base and finished walls should be installed before beginning the shower door installation.
- During the installation, protect the shower floor with a drop cloth to avoid damage.
- This product should be installed by two people who are familiar with construction requirements. Professional installation is recommended!
- Keep this installation manual for future reference.

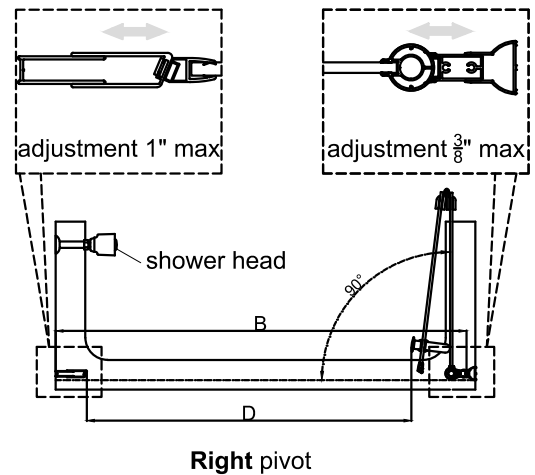
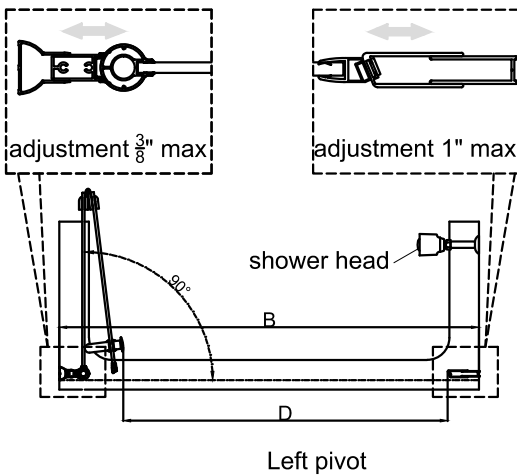
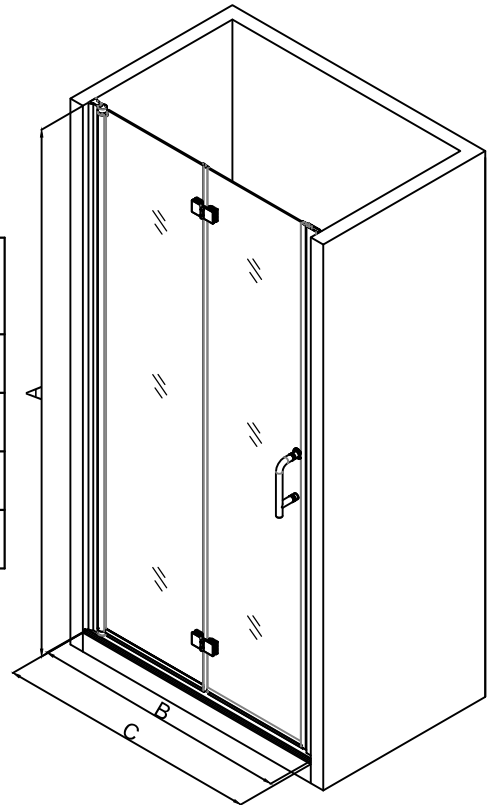
NOTE: Two people should perform this installaton.



Model Dimensions

configuration dimensions:

A Product Height	B Model width	C Installation width	D (Opening)
72"	30"	30" ~31 3/8"	22 17/32"
	32"	32" ~33 3/8"	24 17/32"
	34"	34" ~35 3/8"	26 17/32"
	36"	36" ~37 3/8"	28 17/32"

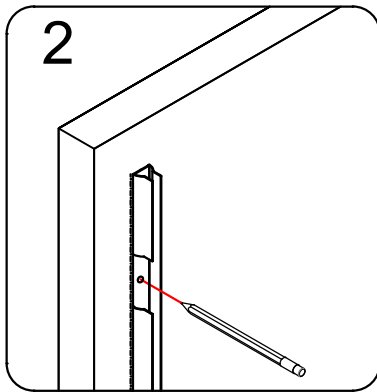
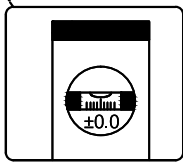
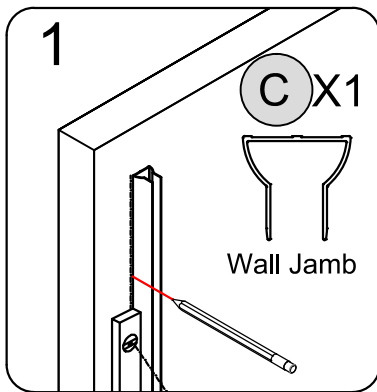


NOTE

This model is reversible for right or left-hand door installation. The left-hand door installation is shown throughout this manual. For the right-hand door installation, simply begin on the opposite wall and reverse the orientation of the installation steps shown.

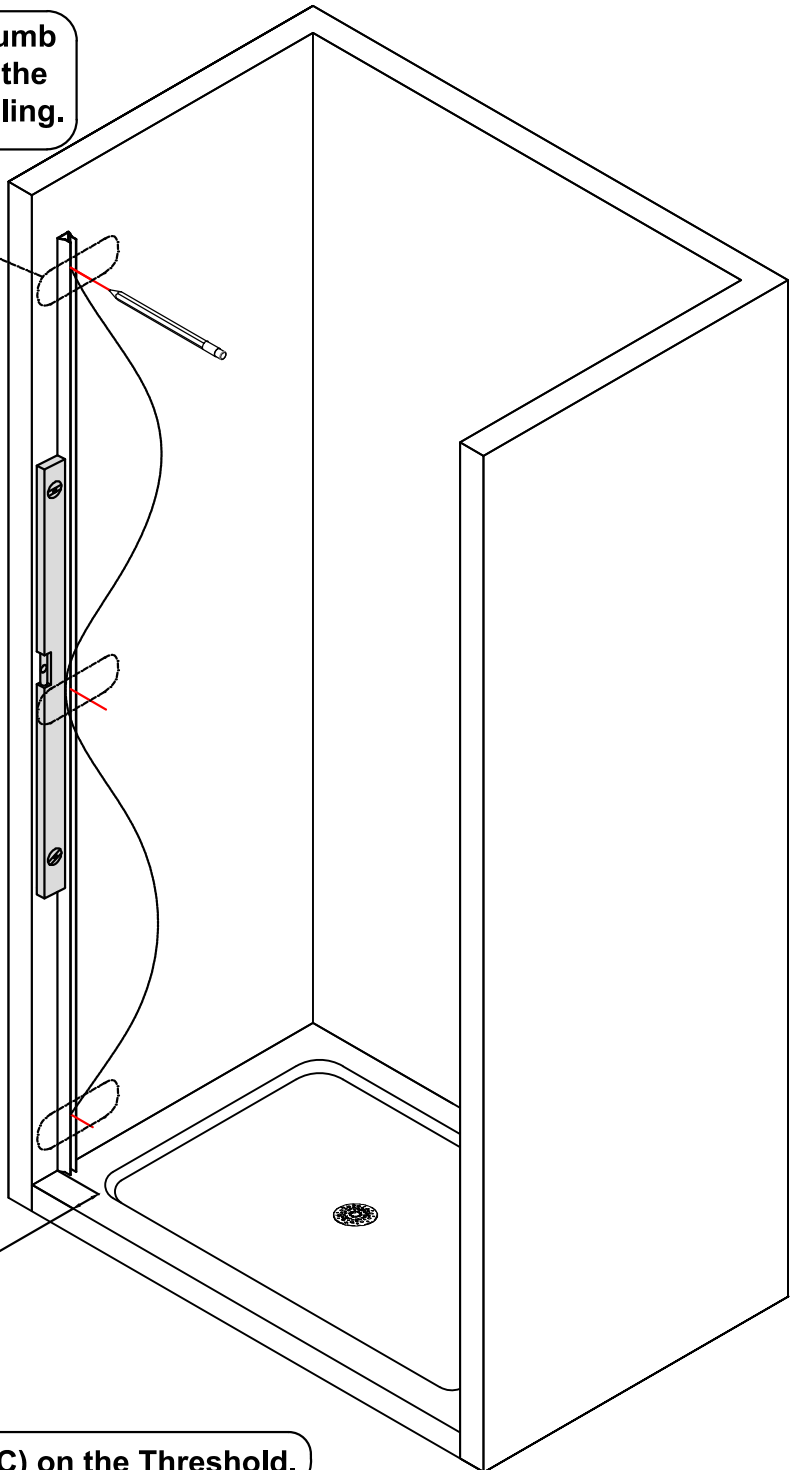
1-1 Wall Jamb Installation

NOTE Confirm the Wall jamb is plumb with a level before marking the location of the holes for drilling.



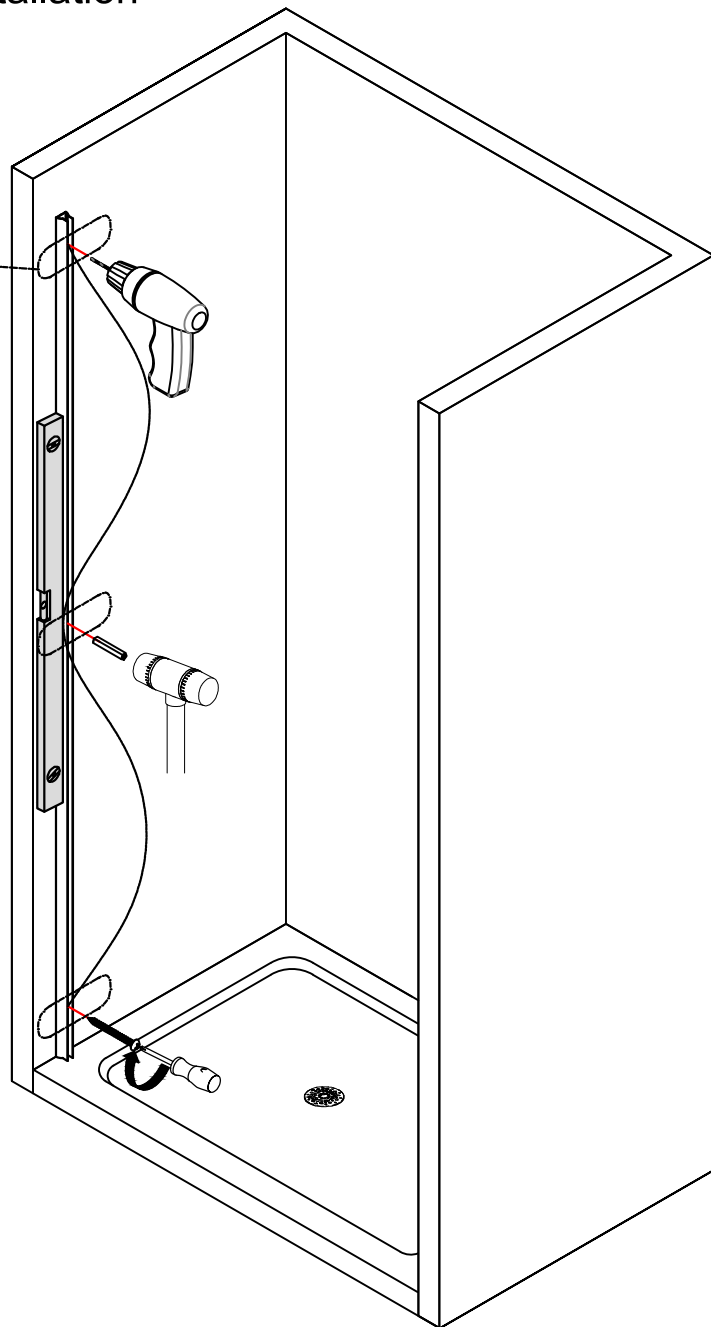
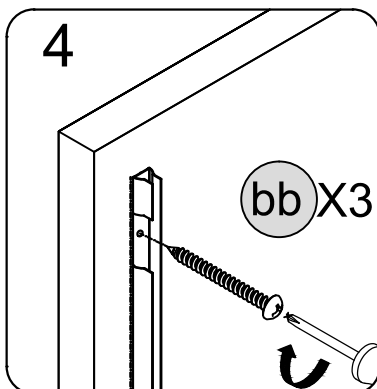
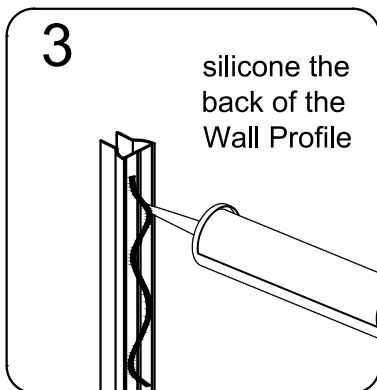
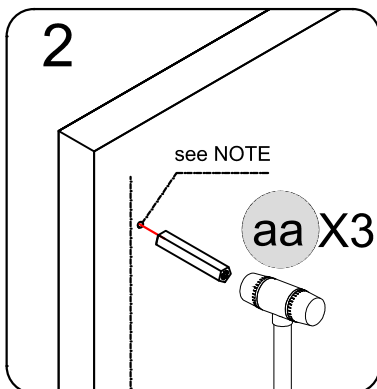
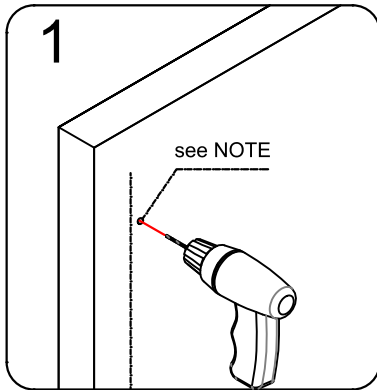
20mm [25/32"]

NOTE Center the Wall jamb (C) on the Threshold.



1-2

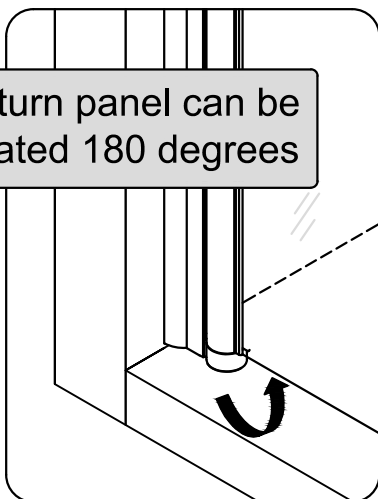
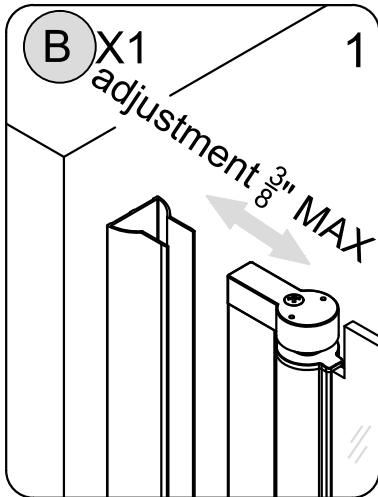
Wall Jamb Installation



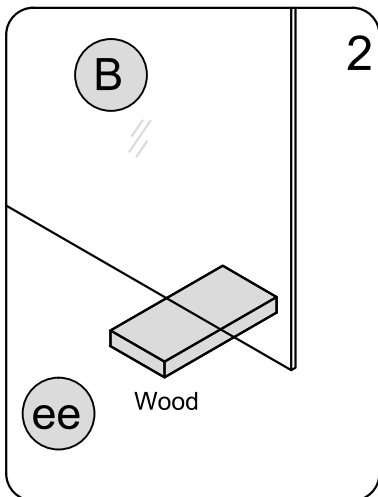
NOTE

- If a Stud is present behind the wall:
drill a $\varnothing 3/16"$ (4mm) hole up to the stud,
drill an $\varnothing 1/8"$ (3mm) pilot hole into the stud and
use the ST4.0 x 30mm Pan Head Screws (bb)
OR
- If No Stud is present behind the wall:
drill a $\varnothing 1/4"$ (6mm) hole and insert the Wall Anchors (aa)
and use the ST4.0 x 30mm Pan Head Screws (bb).

2 Door panel Installation



Return panel can be rotated 180 degrees

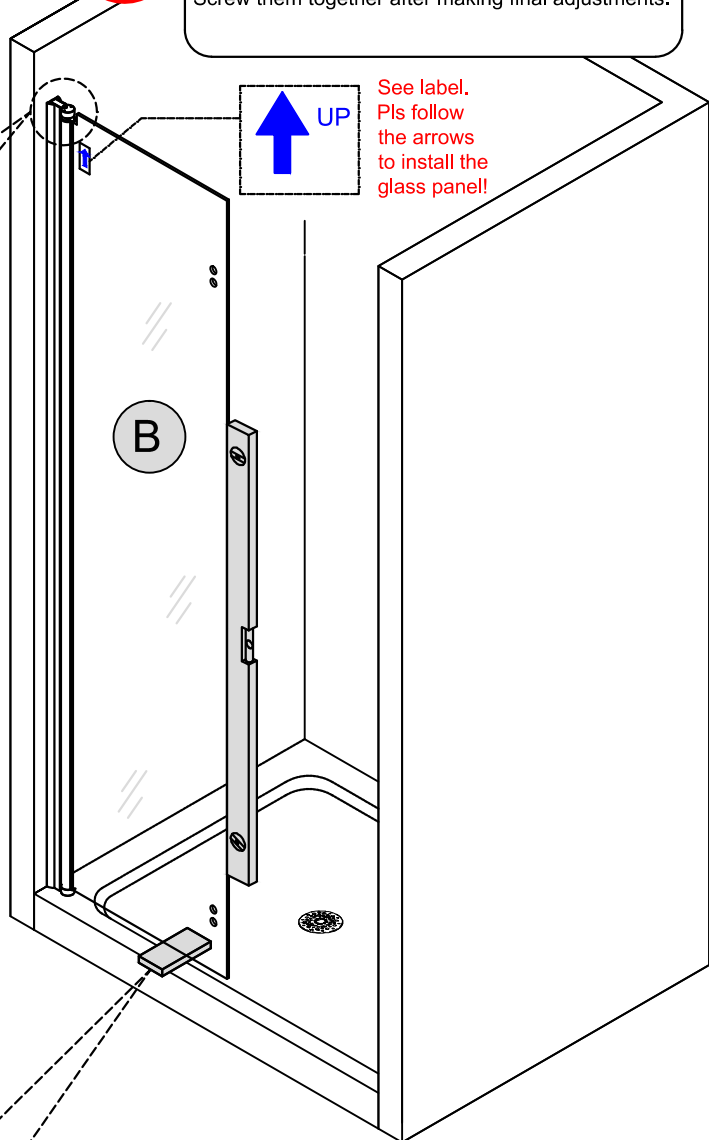


NOTE

The Door panel Profiles can be adjusted up to 3/8" within the Wall Jamb for overall width or to correct for out-of-plumb conditions within the model size. Screw them together after making final adjustments.

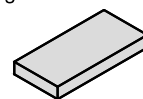


See label. Pls follow the arrows to install the glass panel!



NOTE

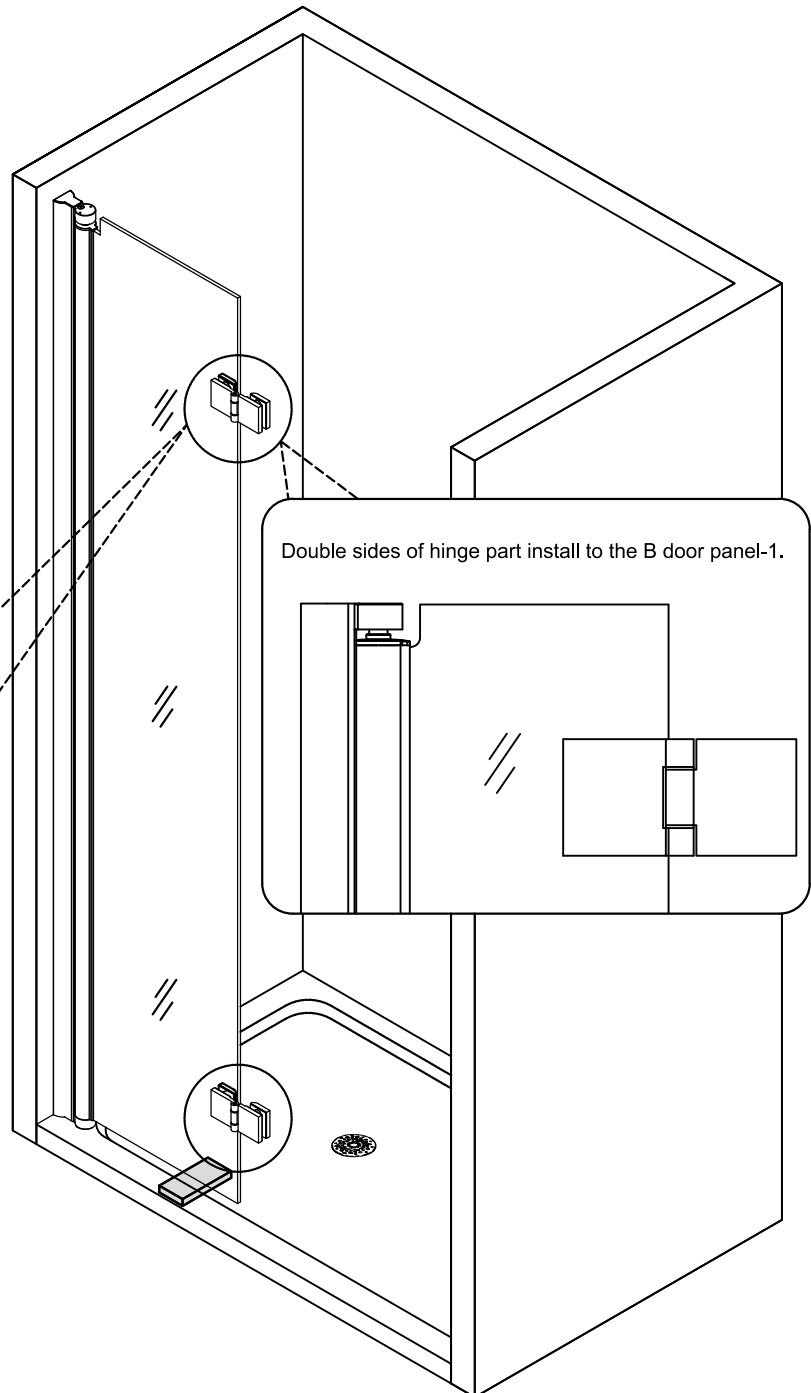
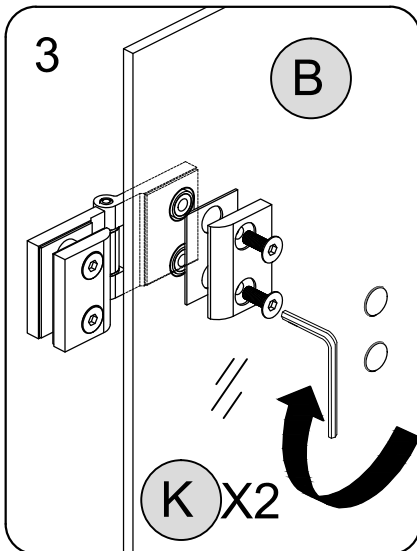
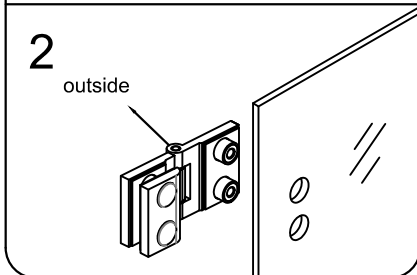
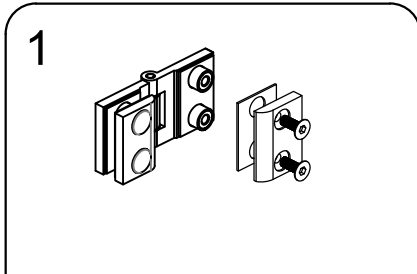
Place wood shim(ee) onto the threshold to provide proper spacing beneath the door glass.



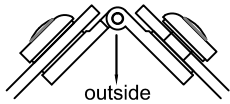
Make any final adjustments to the door so that it is level and plumb in the opening.

3.1

Glass-to-Glass Hinge Assembly Installation



NOTE



Ensure the orientation of both Hinge Assemblies are the same.
 Make sure the Hinge Assemblies (B) are square and flatly installed on the glass

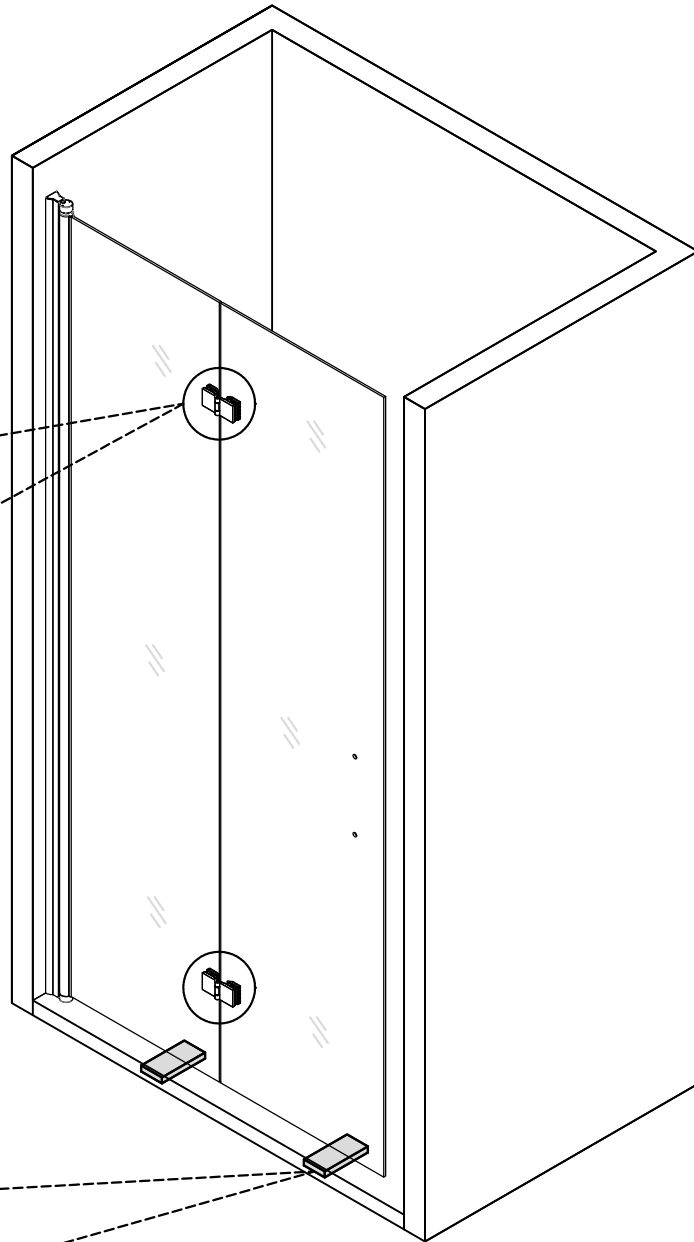
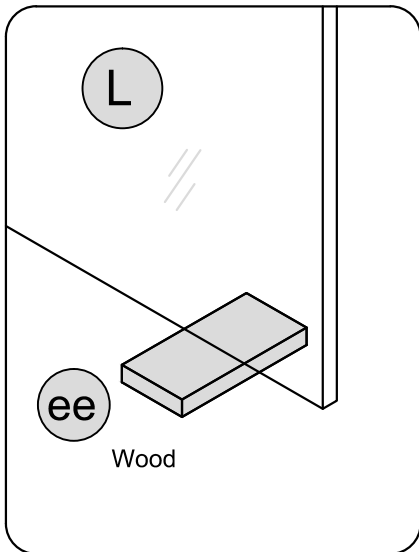
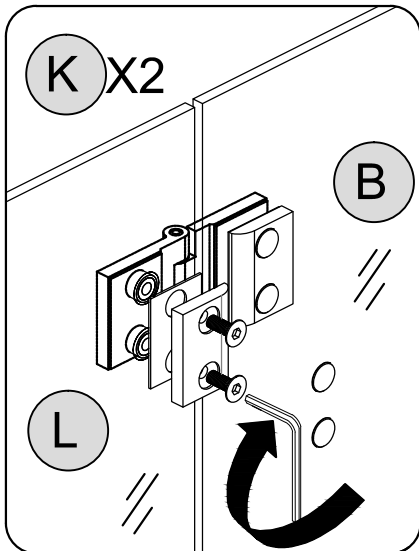


To prevent glass-to-metal contact, confirm the gaskets are present between the Hinge Assemblies and the Door Glass.

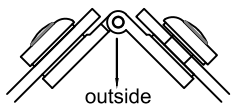
3.2

Glass-to-Glass Hinge Assembly Installation

Inside View



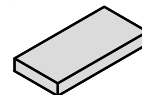
NOTE



Ensure the orientation of both Hinge Assemblies are the same.
Make sure the Hinge Assemblies (K) are square and flatly installed on the glass

NOTE

Place wood shim (ee) onto the threshold to provide proper spacing beneath the door glass.



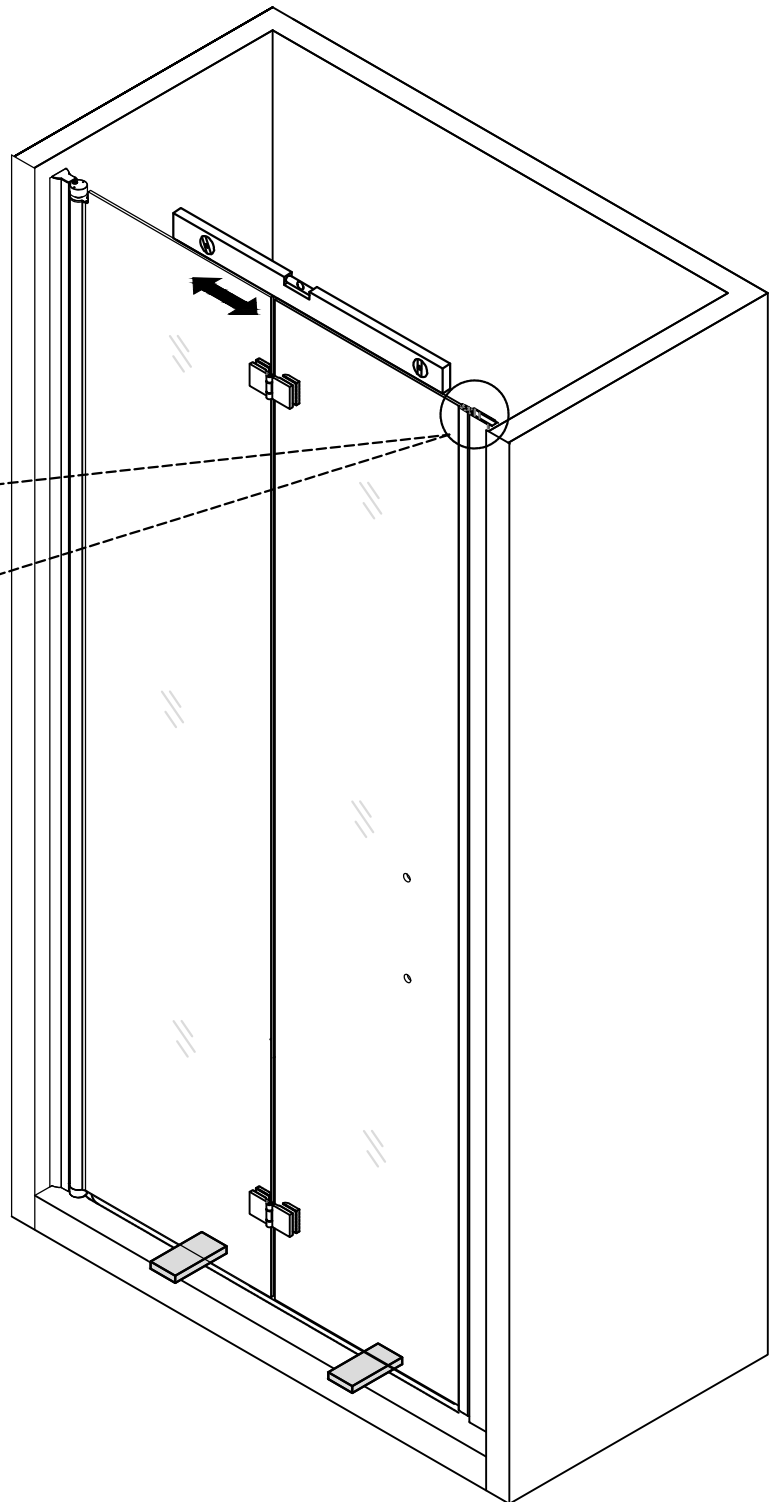
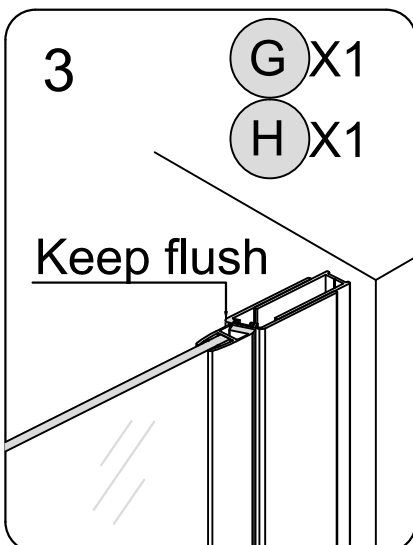
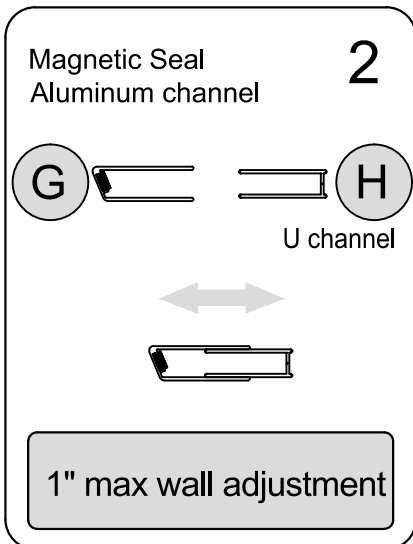
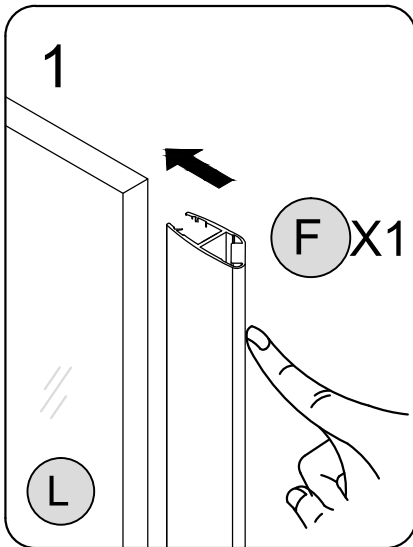
Make any final adjustments to the door so that it is level and plumb in the opening.



To prevent glass-to-metal contact, confirm the gaskets are present between the Hinge Assemblies and the Door Glass.

4

Magnetic strip Install to door panel-2



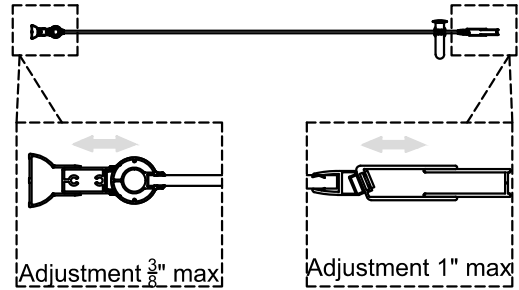
NOTE

- 1、Magnetic strip Install to door panel-2.
- 2、Put F,G,H together before fasten the glass door,make all these parts keep flush.

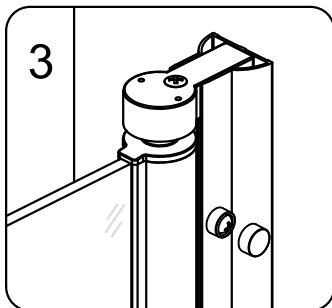
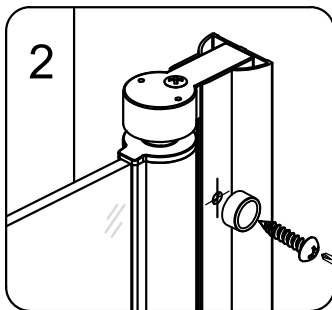
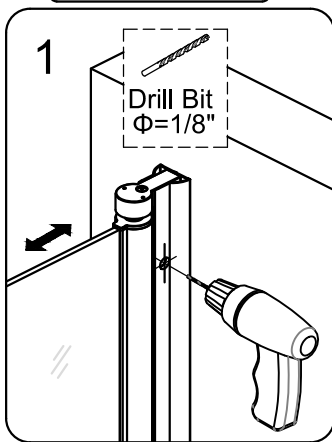
5 Fasten the door panel

NOTE

After final adjustments, drill $\varnothing 1/8"$ holes in the Wall Jamp (C). Drill only through the first layer of the Door panel Profile and install the ST4.0x10mm Pan Head Screws (dd) using the Decorative Covers and Washers (cc)



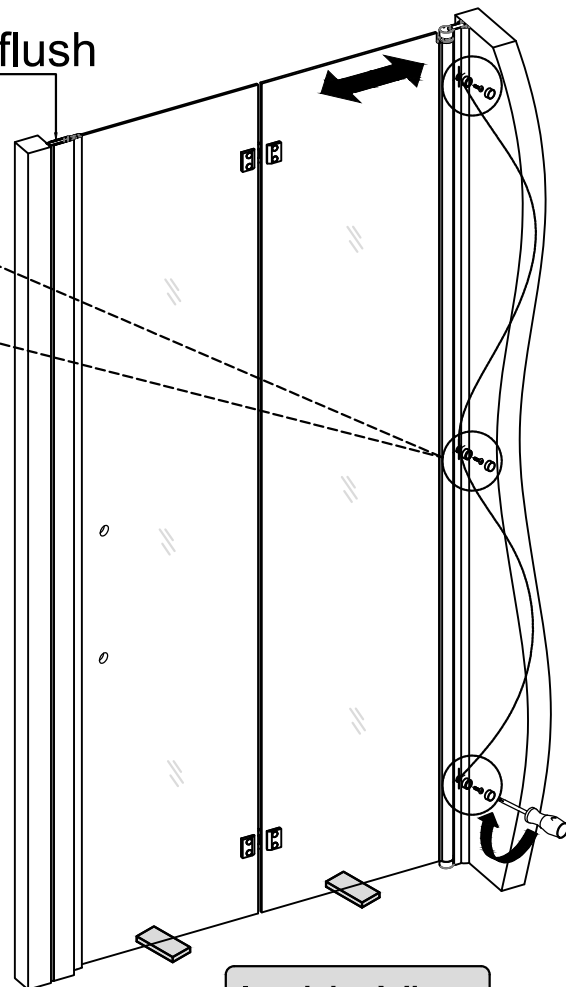
Inside View



cc X3

dd X3

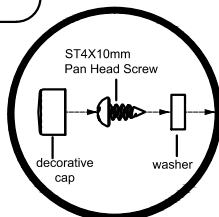
Keep flush



Inside View

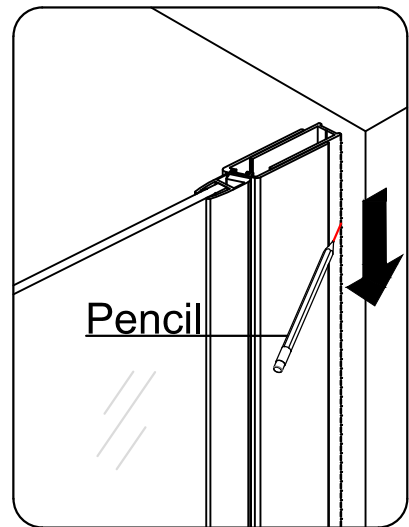
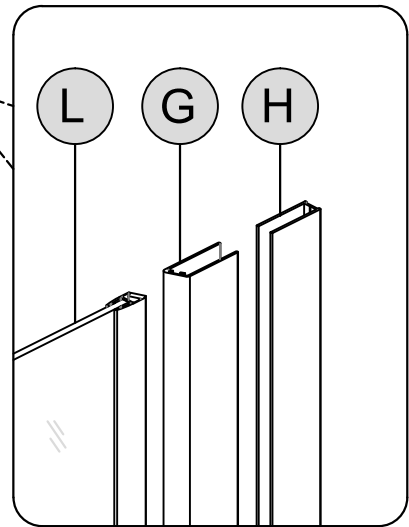
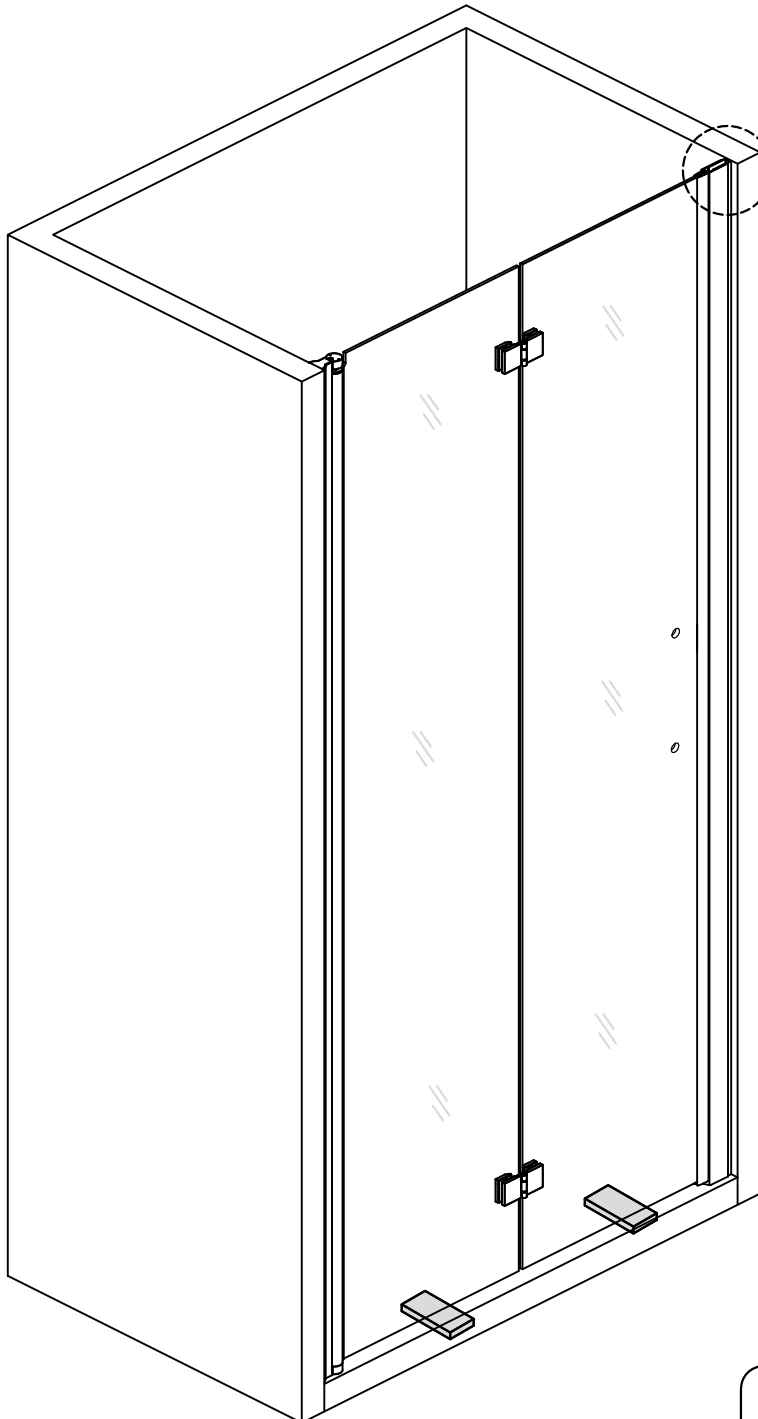
NOTE

Include the washers when installing the ST4.0x10mm Pan Head Screws (dd) and Decorative Caps (cc).



6

Determine the G & H position



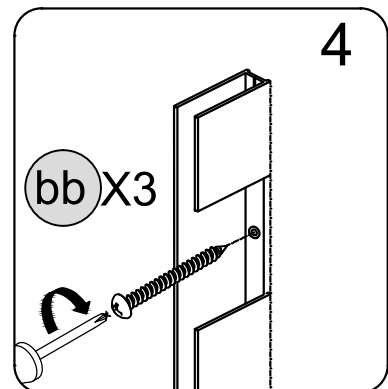
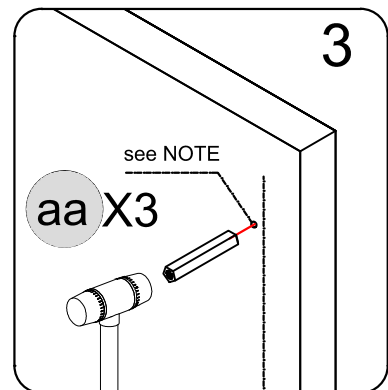
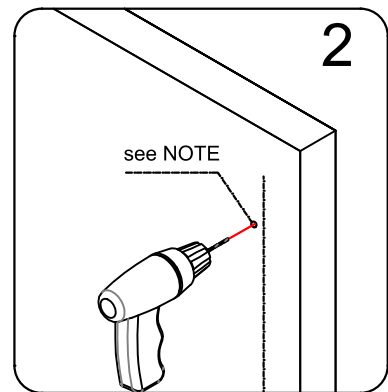
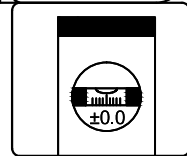
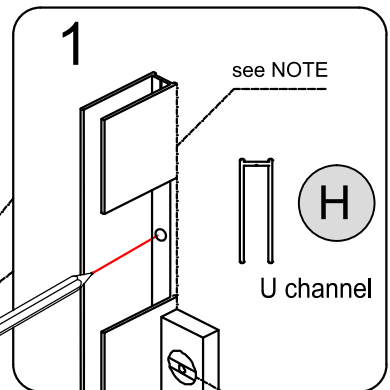
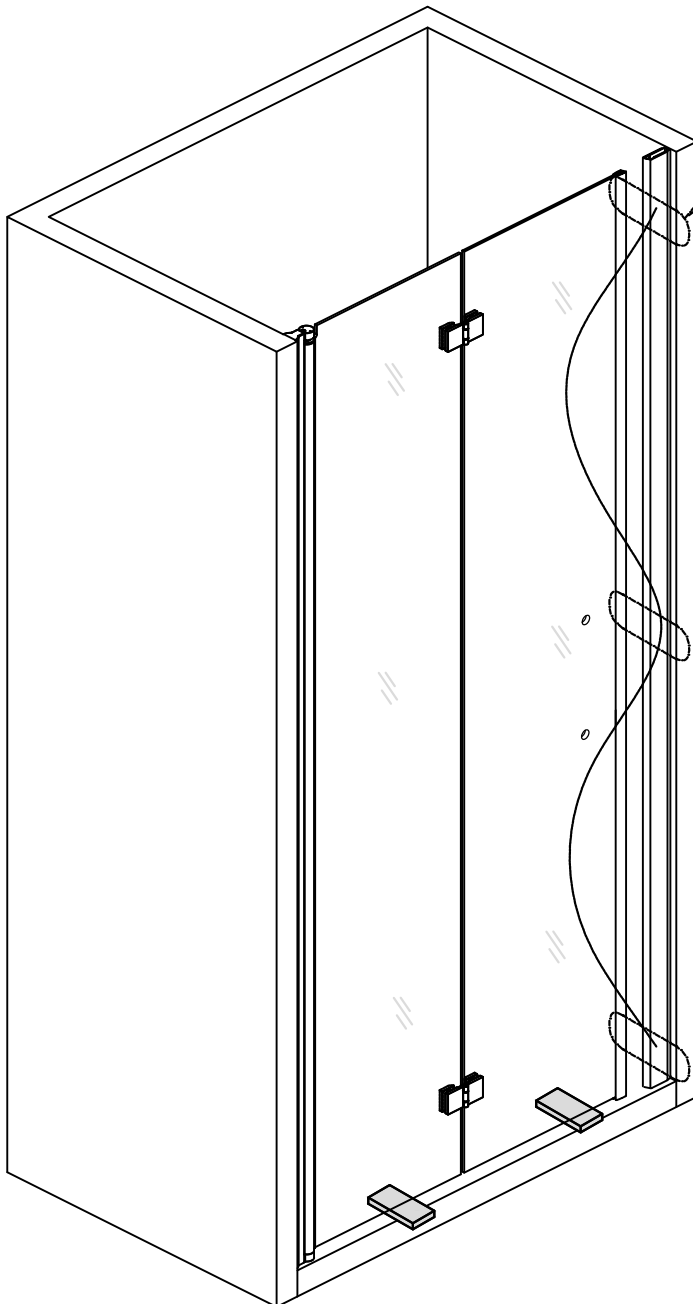
Put F,G,H together, keep flush, mark the position on the wall.

NOTE

Center the Magnetic Seal Aluminum channel(G) and U channel (H) on the Threshold.

7

U channel Installation



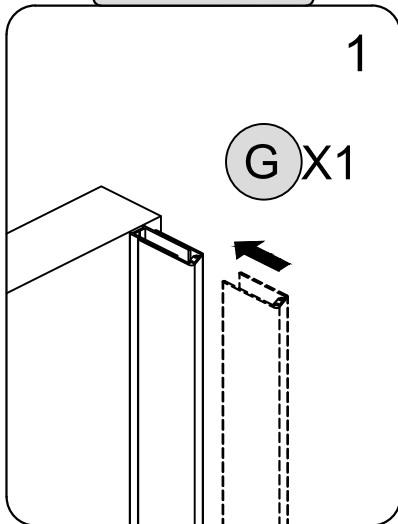
NOTE

- If a Stud is present behind the wall:
drill a $\text{Ø}3/16"$ (4mm) hole up to the stud,
drill an $\text{Ø}1/8"$ (3mm) pilot hole into the stud and
use the ST4.0 x 30mm Pan Head Screws (bb)
OR
- If No Stud is present behind the wall:
drill a $\text{Ø}1/4"$ (6mm) hole and insert the Wall Anchors (aa)
and use the ST4.0 x 30mm Pan Head Screws (bb).

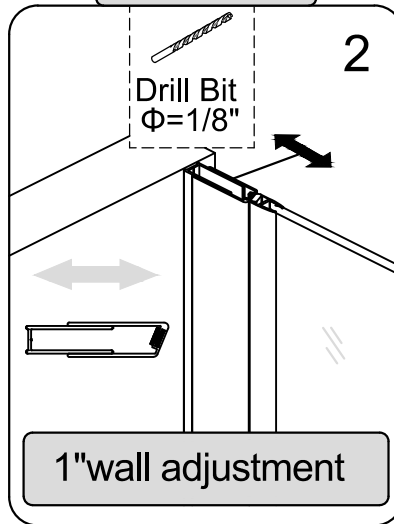
8

Magnetic Seal Wall Jamb Installation

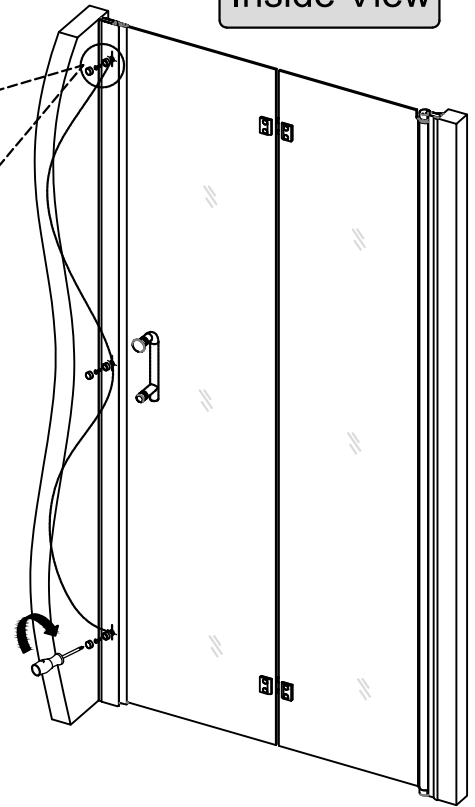
Inside View



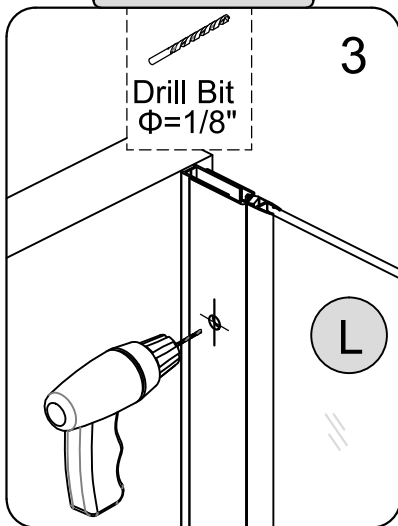
Inside View



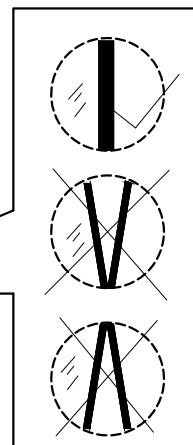
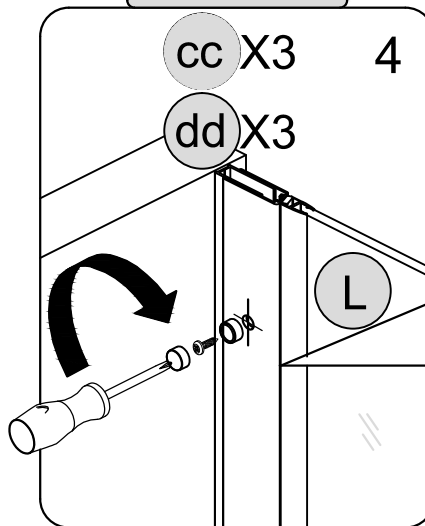
Inside View



Inside View

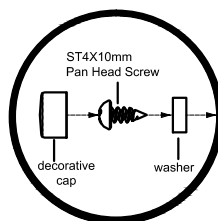


Inside View



NOTE

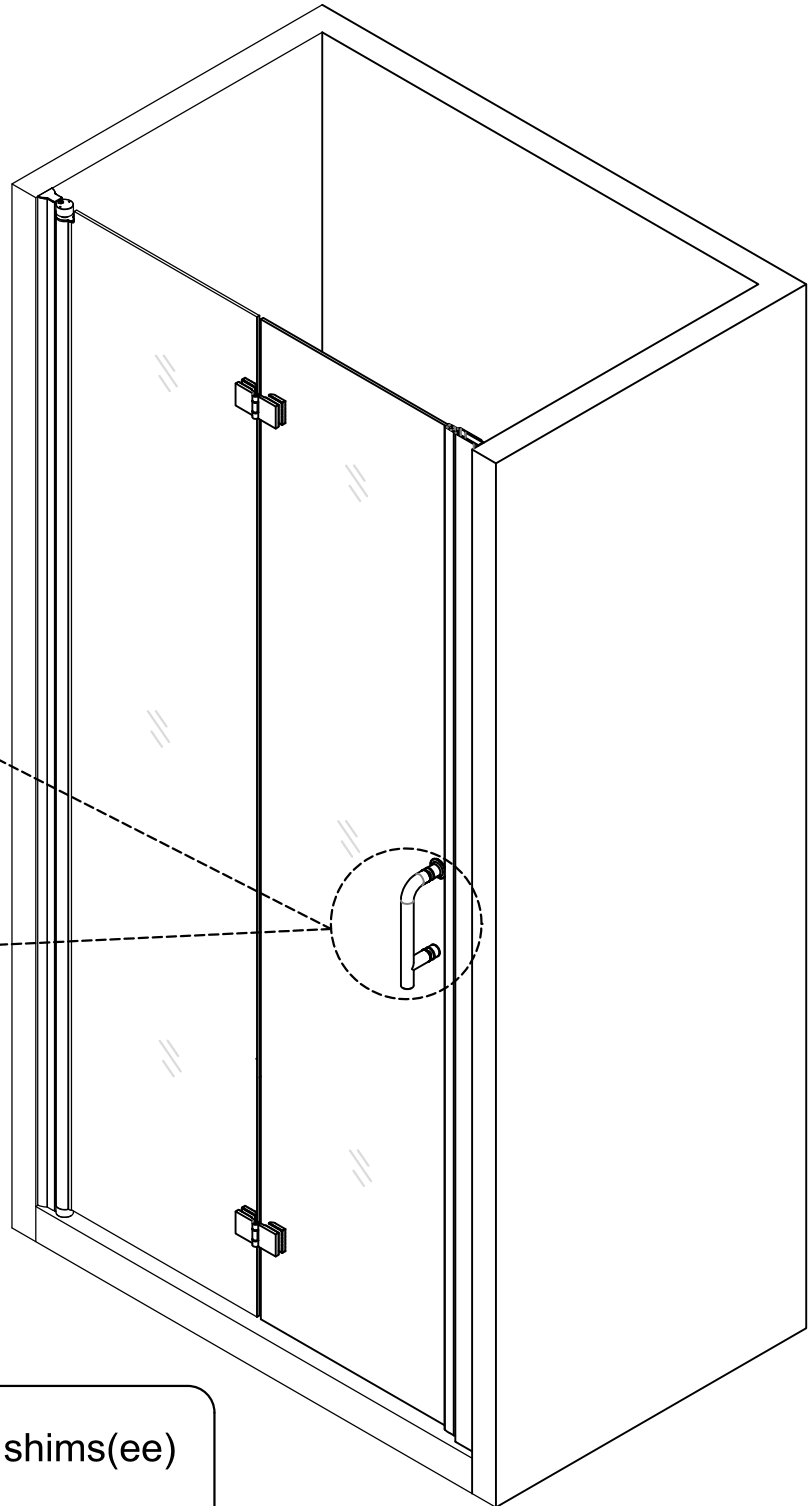
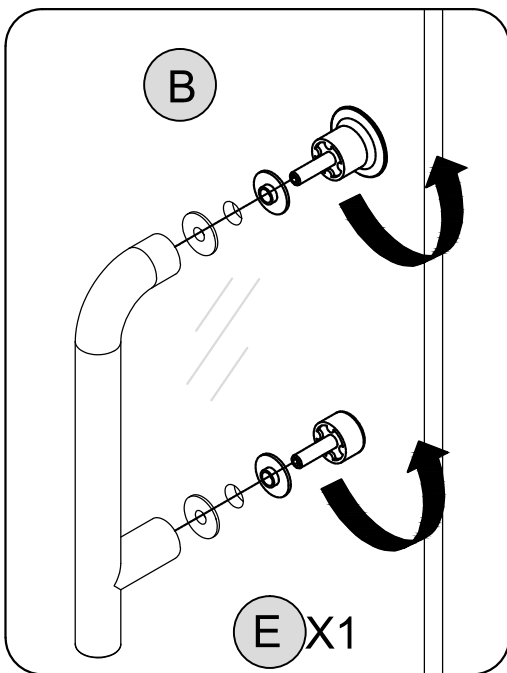
Include the washers when installing the ST4.0x10mm Pan Head Screws (dd) and Decorative Caps (cc).



!
Make sure the magnetic seals close properly!!

9

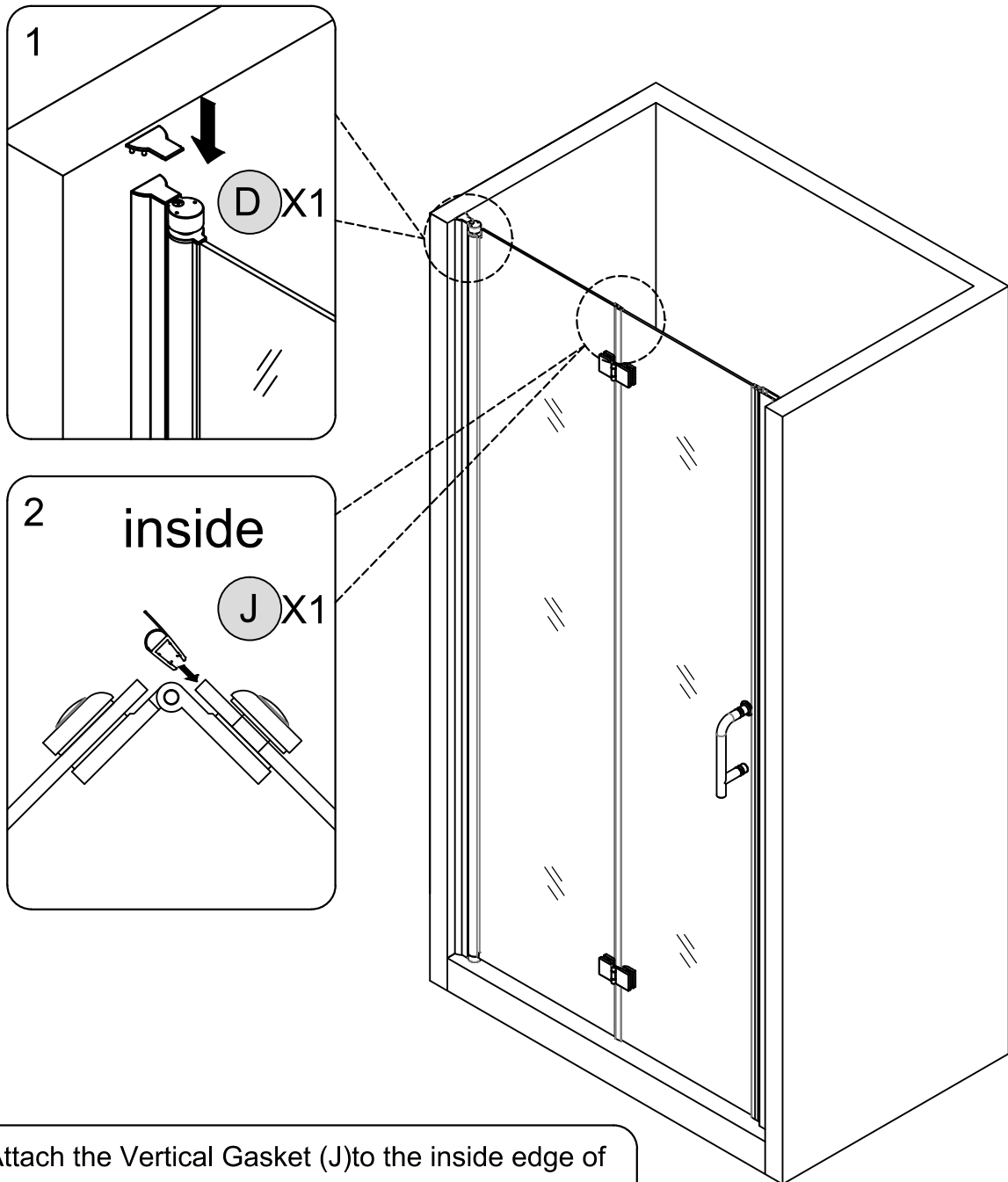
handle Installation



NOTE

Remove the wood shims(ee) and open the door.

10 Top Cover Cap & Vertical Gasket Installation



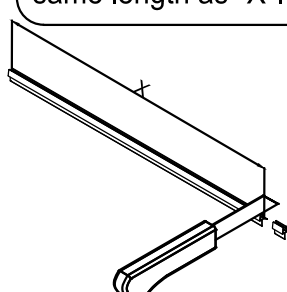
NOTE

Attach the Vertical Gasket (J) to the inside edge of the Door Glass that is on the same side as the shower head so that the flexible fin is pointing away from the water source.

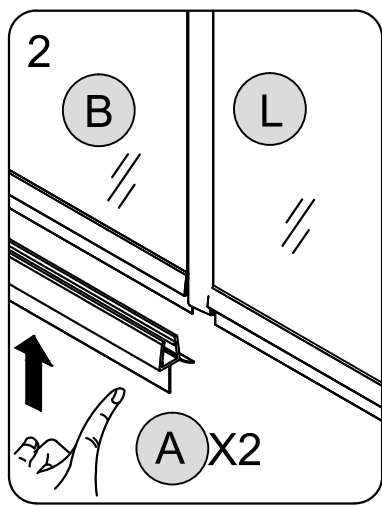
11 Bottom Gasket Installation

NOTE

1 Measure "X" and cut the Bottom Gasket same length as "X".

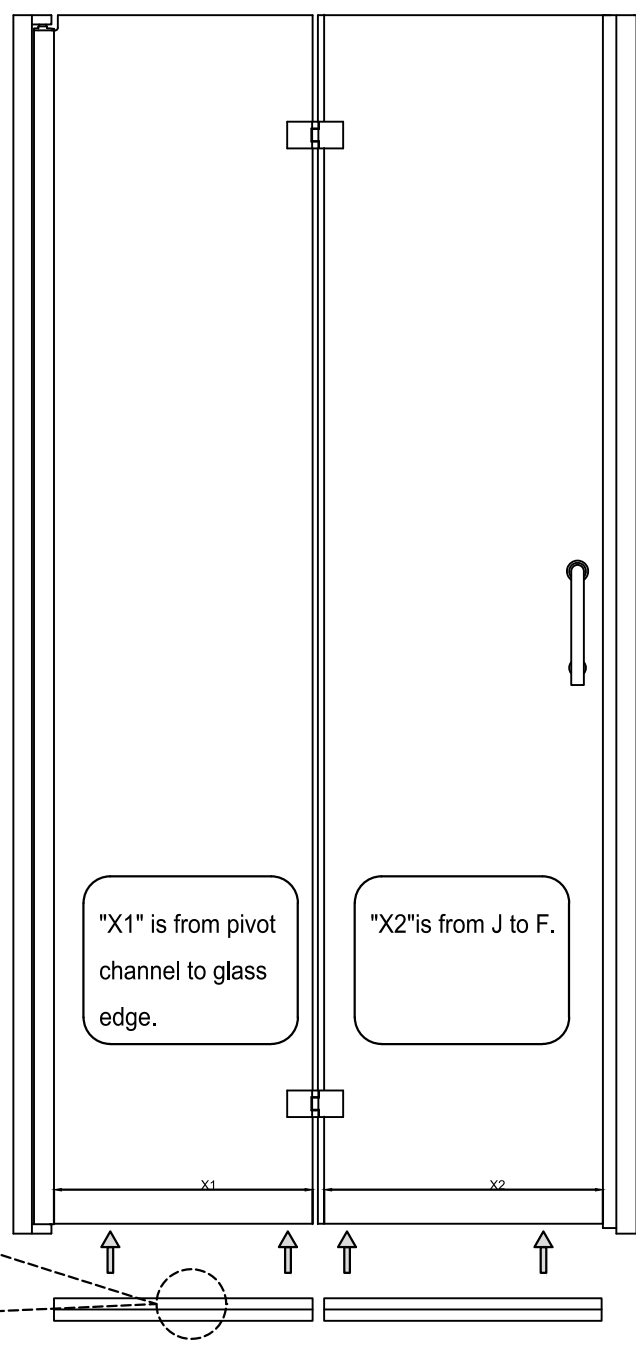


2



B L

A X2



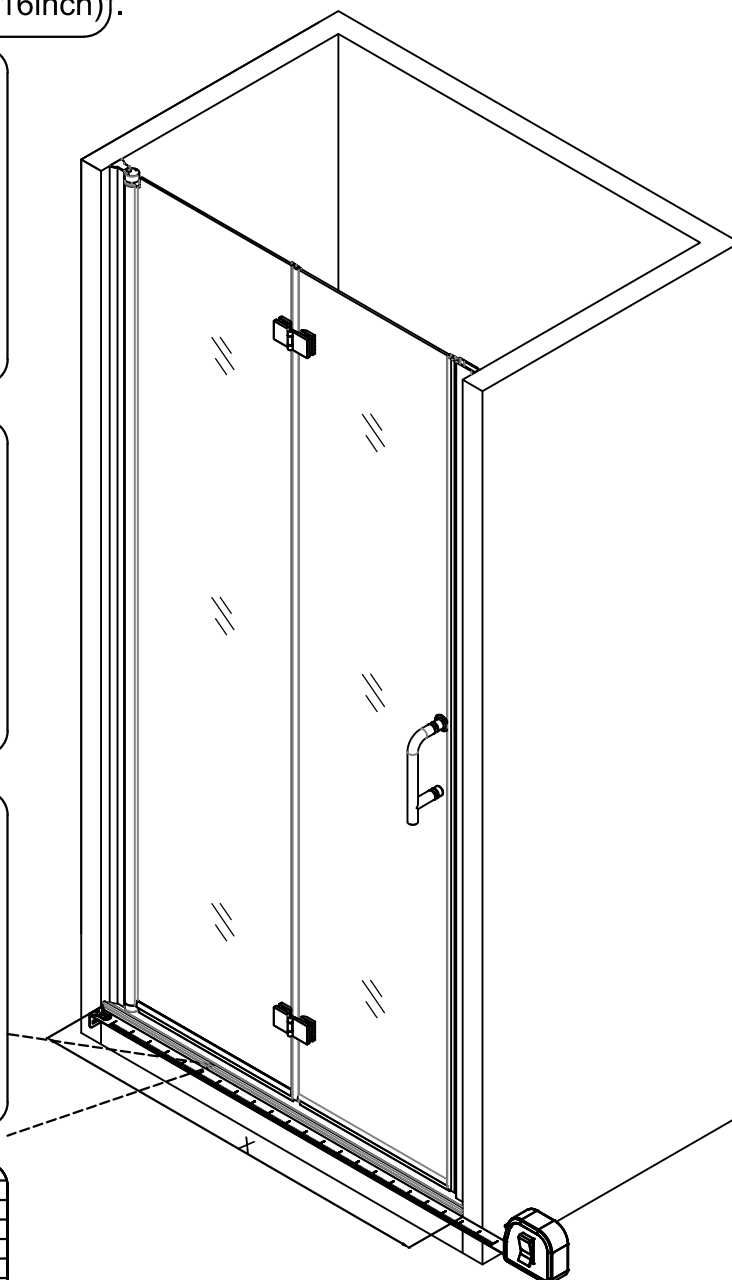
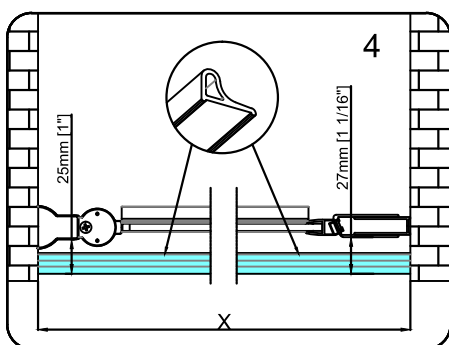
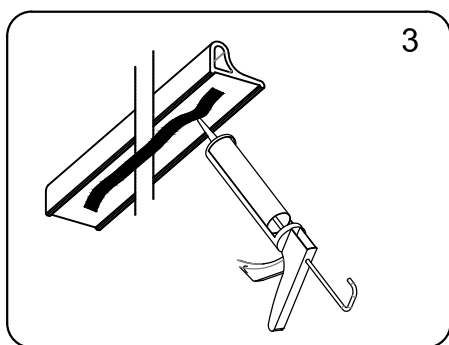
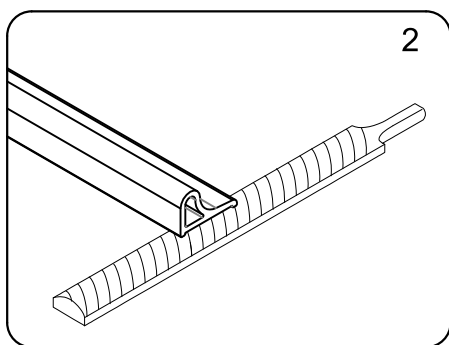
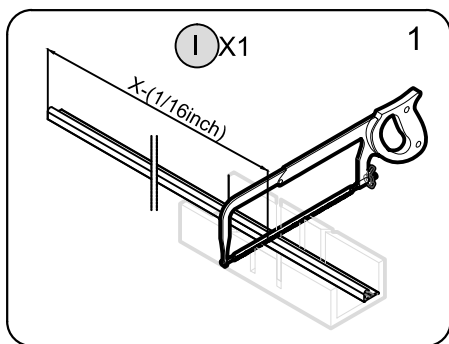
12 Alu.Threshold Installation

NOTE

Measuer "X" and cut the alu threshlod same length as "(X-1/16inch)".

NOTE

"X" wall to wall width.



NOTE

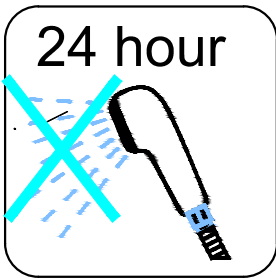
The large curved lip of the dam strip is intended to face toward the outside of the shower to ensure the flow of water is redirected towards the drain.

13 SEALING

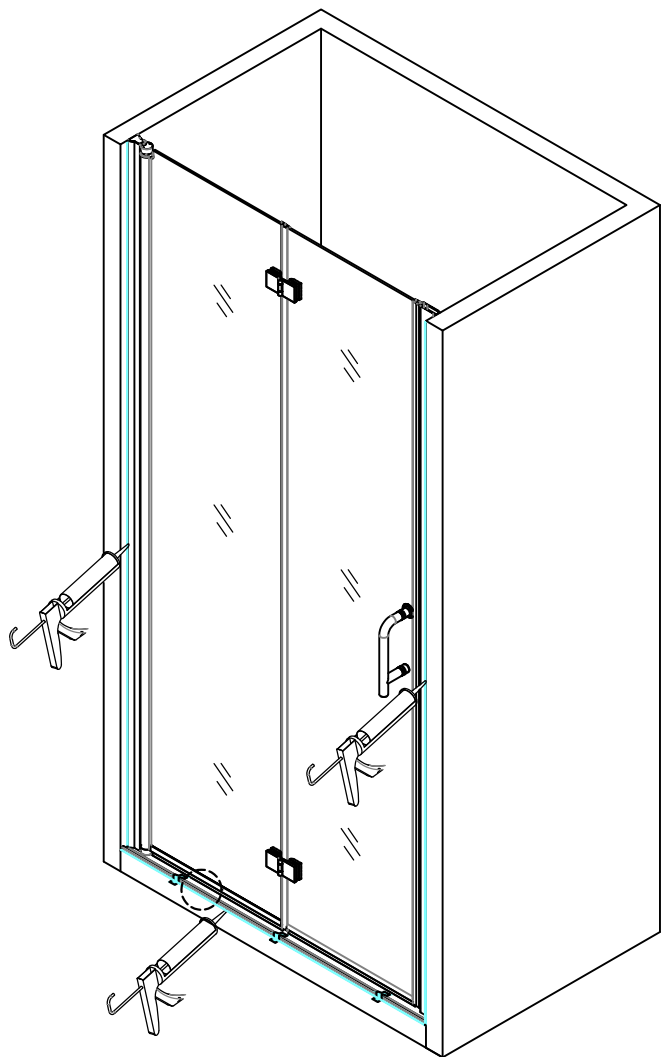
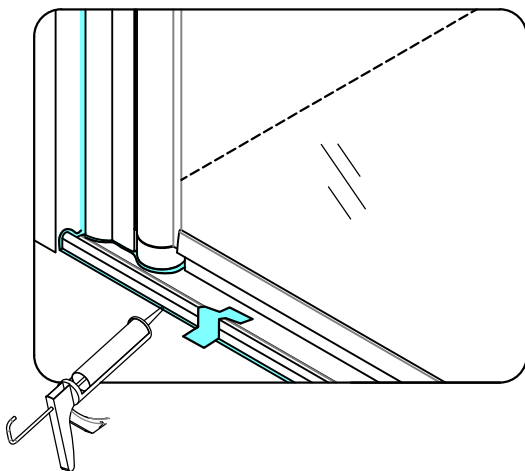
NOTE The surfaces need to be clean and free of debris before applying silicone.

NOTE Ensure that the Shower door closes tightly and opens smoothly. **Apply a good quality silicone sealant along the wall Jamb(C)&(H)and Water seal (I) .**

! Allow 24 hours for the silicone to cure before using the shower.



! Apply Silicone Sealant, (not supplied).



This troubleshooting guide is for general aid only. For service and installation issues or concerns, please contact us by Email: Contactus@Rainlex-store.com

Troubleshooting		
Problem/Symptom	Suggested Solution	Page(s)
Missing parts	<ul style="list-style-type: none"> *Check all shipping/packaging material for missing parts/components. *If not found, please contact us by Email: Contactus@Rainlex-store.com to order factory part replacement. 	2.3
Door is not operaing smoothly	<ul style="list-style-type: none"> *Check the magentic seal (F)and pvc seal (J) for proper trimming and installation. *Confirm the Hinge (K)Assemblies are tightly secured to the Door Glass(B&L). * Confirm the sweep seal (A) is tightly secured to the bottom of Door Glass * Confirm the hinge side pvc seal is correctly notched around the Bottom sweep seal. 	9-19
Water leakage	<ul style="list-style-type: none"> *Check all the pvc seals for proper trimming and installation. *Check the alu. threshold installed properly and secured with silicone. 	19-21
Handle rattles during operation	<ul style="list-style-type: none"> *Confirm the pvc gaskets are present and the handle is tightly secured to the glass. 	17