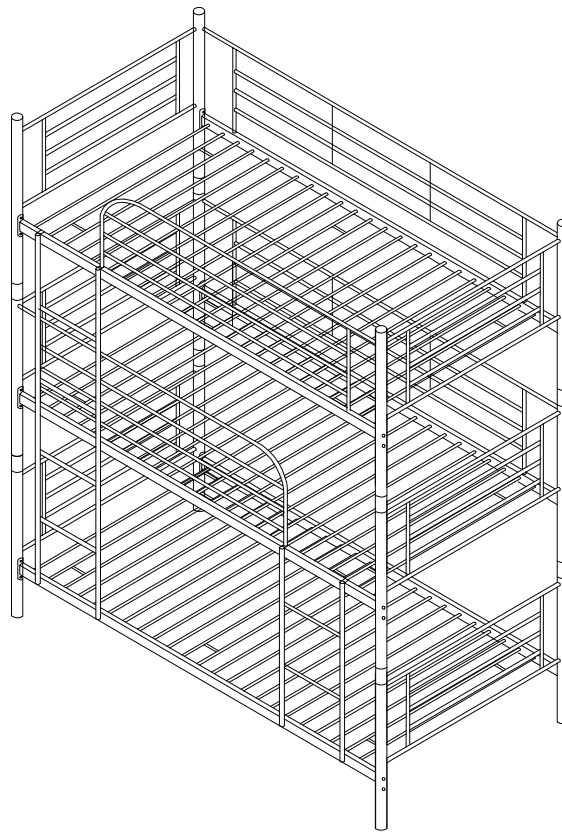


ASSEMBLY INSTRUCTIONS

FULL-FULL-FULL Metal Triple Bed



(The digital labels of the part list are stucked on the outside plastic package)

WF300426AA-WF300427AA

SAFETY WARNING

1. This bed is designed for use only mattress(es) meeting the following specifications on the upper bunk, and lower bunk:

Upper bunk (bunk bed and tribed included)

Bed Type	Length	Width	Thickness
<i>Twin Standard</i>	<i>74"-75"</i>	<i>54½"</i>	<i>6" max</i>

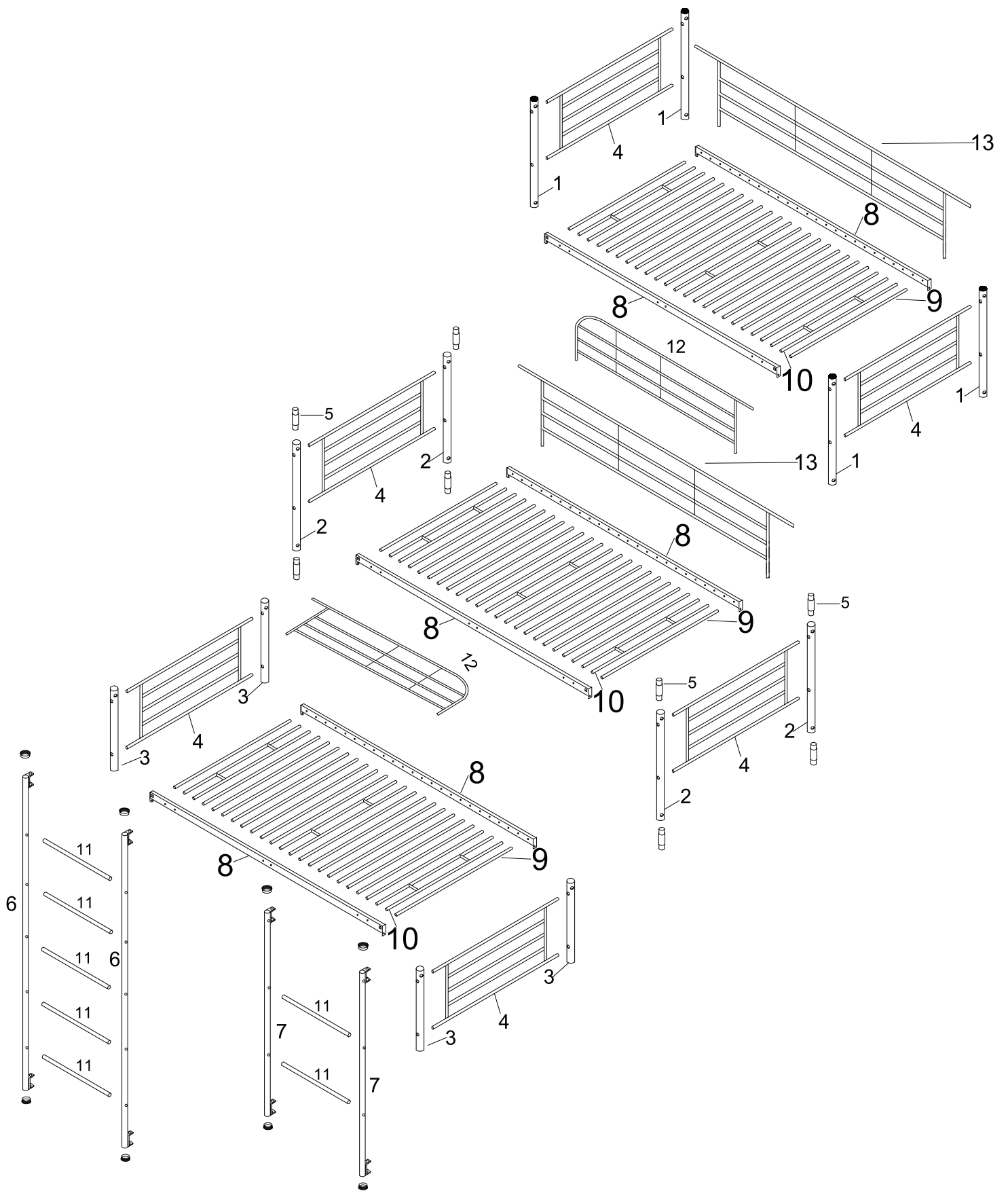
Upper bunk (bunk bed and tribed included)

Bed Type	Length	Width	Thickness
<i>Twin Standard</i>	<i>74"-75"</i>	<i>54½"</i>	<i>6" max</i>

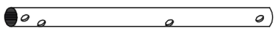

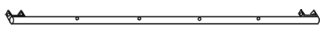

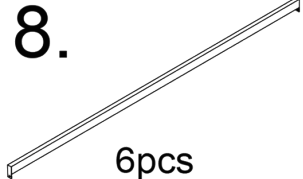
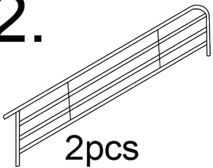
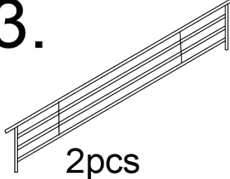
Lower bunk

Bed Type	Length	Width	Thickness
<i>Twin Standard</i>	<i>74"-75"</i>	<i>54½"</i>	<i>8"</i>

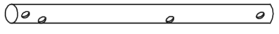

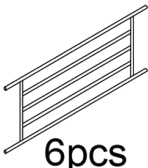
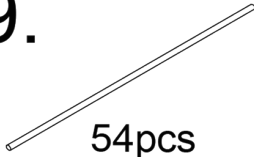
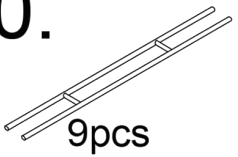

2. Replacement parts, including additional guardrails, maybe obtained from any of our (GIGACLOUD TECHNOLOGY (USA) INC. 18961 ARENTH AVENUE CITY OF INDUSTRY, CA, 91748) dealers
3. Follow the information on the warnings appearing on the upper bunk bed end structure and on the carton. Do not remove warning label from bed.
4. Always use the recommended size mattresses or mattress supports, or both, to help prevent the likelihood of entrapment or falls.
5. Surface of mattress must be at least 5" (127mm) below the upper edge of guardrails.
6. Do not allow children under 6 years of age to use the upper bunk.
7. Periodically check and ensure that the guardrail, ladder, and other components are in their proper position, free from damage, and that all connectors are tight.
8. Do not allow horseplay on or under the bed and prohibit jumping on the bed.
9. Always use the ladder for entering and leaving the upper bunk.
10. Do not use substitute part. Contact the manufacture or dealer for replacement part.
11. Use of a night light may provide added safety precaution for a child using the upper bunk.
12. Always use guardrails on both long sides of the upper bunk. If the bunk bed will be placed next to the wall, the guardrail that runs the full length of the bed should be placed against the wall to prevent entrapment between the bed and wall.
13. The use of water or sleep flotation mattresses is prohibited.
14. STRANGULATION HAZARD – Never attach or hang items to any part of the bunk bed that are not designed for use with the bed; for example, but not limited to, hook, belts and jump ropes.
15. Keep these instruction for future reference.
16. Prohibit more than one person on upper bunk
17. We recommend assembling your bunk bed on the shipping carton to protect your floor or carpet.
18. Be certain all staples are out of the box before beginning assembly on the shipping carton.




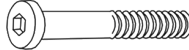
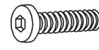

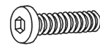
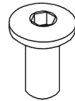

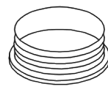




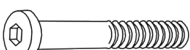

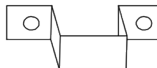

PART LIST

<p>1.</p>  <p>4pcs</p>	<p>5.</p>  <p>8pcs</p>	<p>6.</p>  <p>2pcs</p>	<p>7.</p>  <p>2pcs</p>
<p>8.</p>  <p>6pcs</p>	<p>12.</p>  <p>2pcs</p>	<p>13.</p>  <p>2pcs</p>	

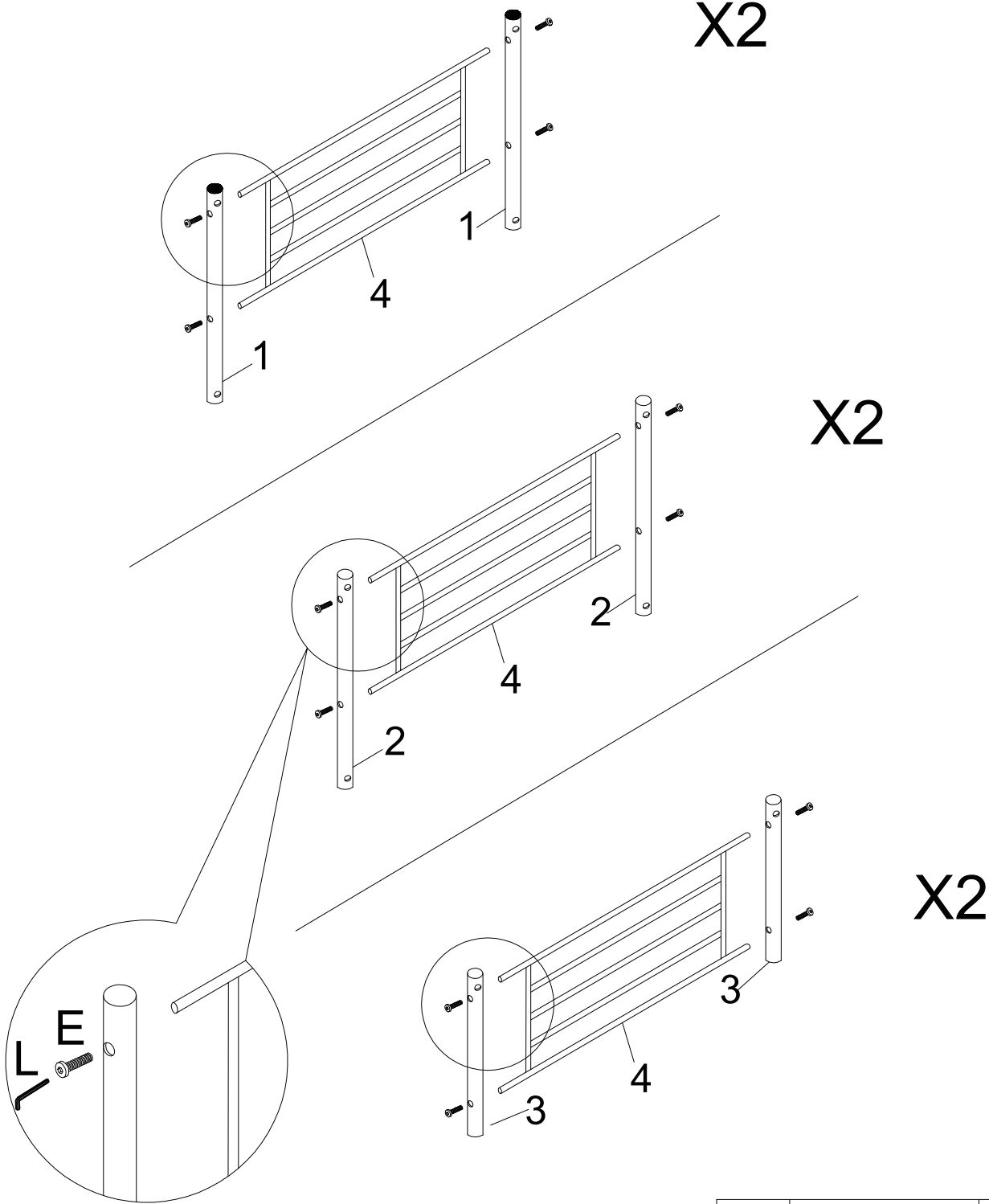
PART LIST

<p>2.</p>  <p>4pcs</p>	<p>3.</p>  <p>4pcs</p>	<p>4.</p>  <p>6pcs</p>	<p>9.</p>  <p>54pcs</p>
<p>10.</p>  <p>9pcs</p>	<p>11.</p>  <p>7pcs</p>		



HARDWARE LIST

<p>A.  (Φ12)1/3"*65mm (12pcs)</p>	<p>B.  (Φ12)1/4"*65mm (14pcs)</p>	<p>C.  (Φ12)1/4"*35mm (14pcs)</p>	<p>D.  (Φ12)1/4"*45mm (14 pcs)</p>
<p>E.  (Φ12)1/4"*16mm (60pcs)</p>	<p>F.  (Φ16)1/3"*18mm (12pcs)</p>	<p>G.  Φ8(24pcs)</p>	<p>H.  Φ45(8 pcs)</p>
<p>I.  Φ20(8pcs)</p>	<p>J.  Φ8(10pcs)</p>	<p>K.  (Φ16)1/3"*18mm (14 pcs)</p>	<p>L.  (1/6")20*62mm (1pc)</p>
<p>M.  (Φ12)1/3"*45mm (12pcs)</p>	<p>N.  Φ5X30mm(4pcs)</p>	<p>O.  45*147mm (2pcs)</p>	<p>L.  (1/5")25*70mm (1pc)</p>

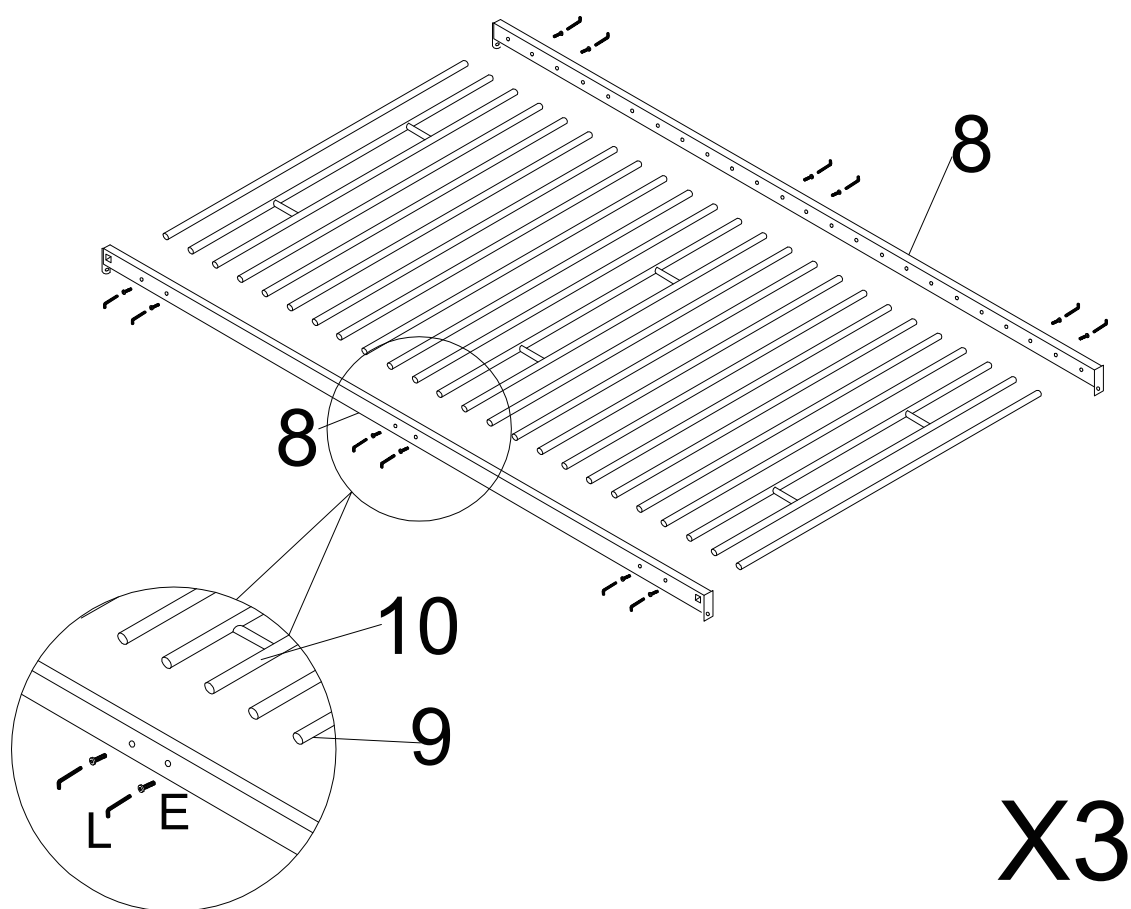
STEP 1





The other side should be assembled as the same way .

CODE	HARDWARE	QTY
E	 M6X16	24
L	 1/6"	1

STEP 2 It is better for 2 persons to assemble the bed base slats together. The two are on each side, firstly insert the round tubes on one side into the corresponding space, lock the nailed place, and then fix the other side.

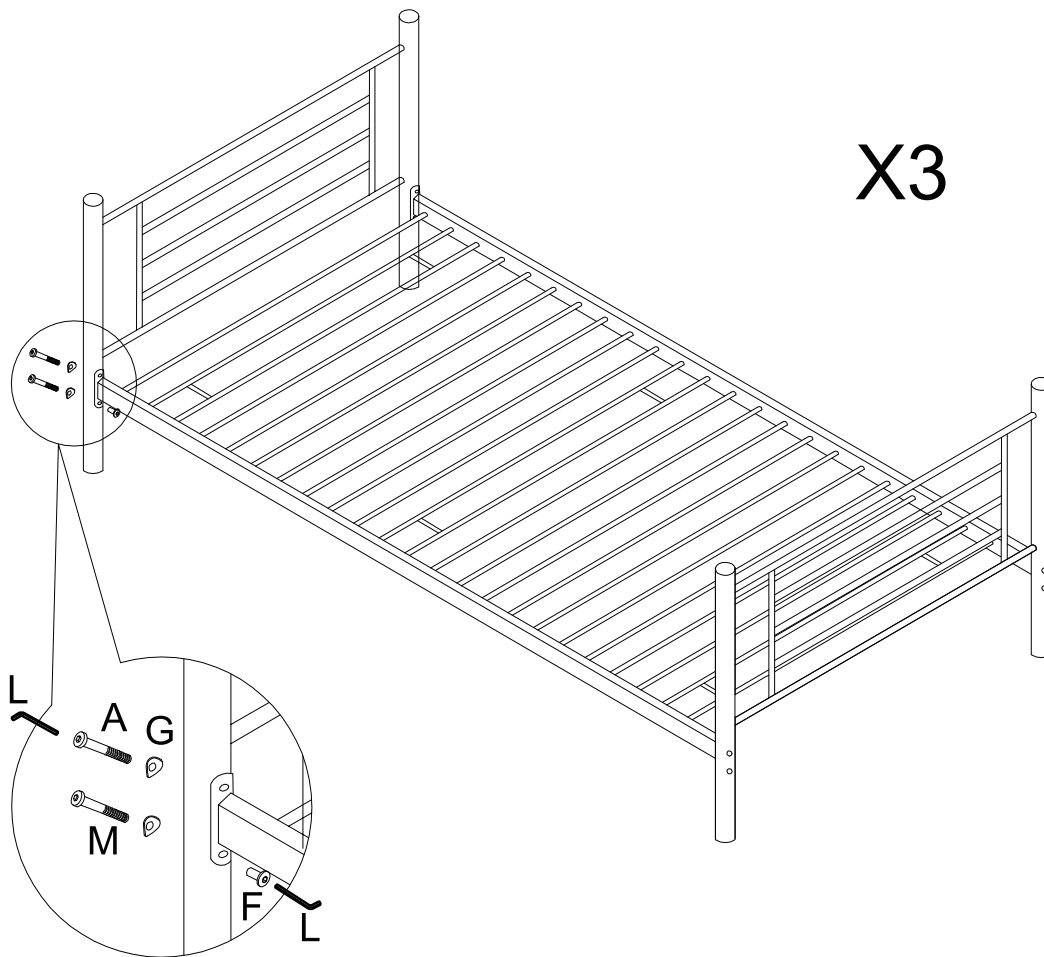


All the 3 layers should be assembled as the same way.


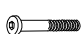



CODE	HARDWARE	QTY
E	 M6X16	36
L	 1/6"	1

STEP 3

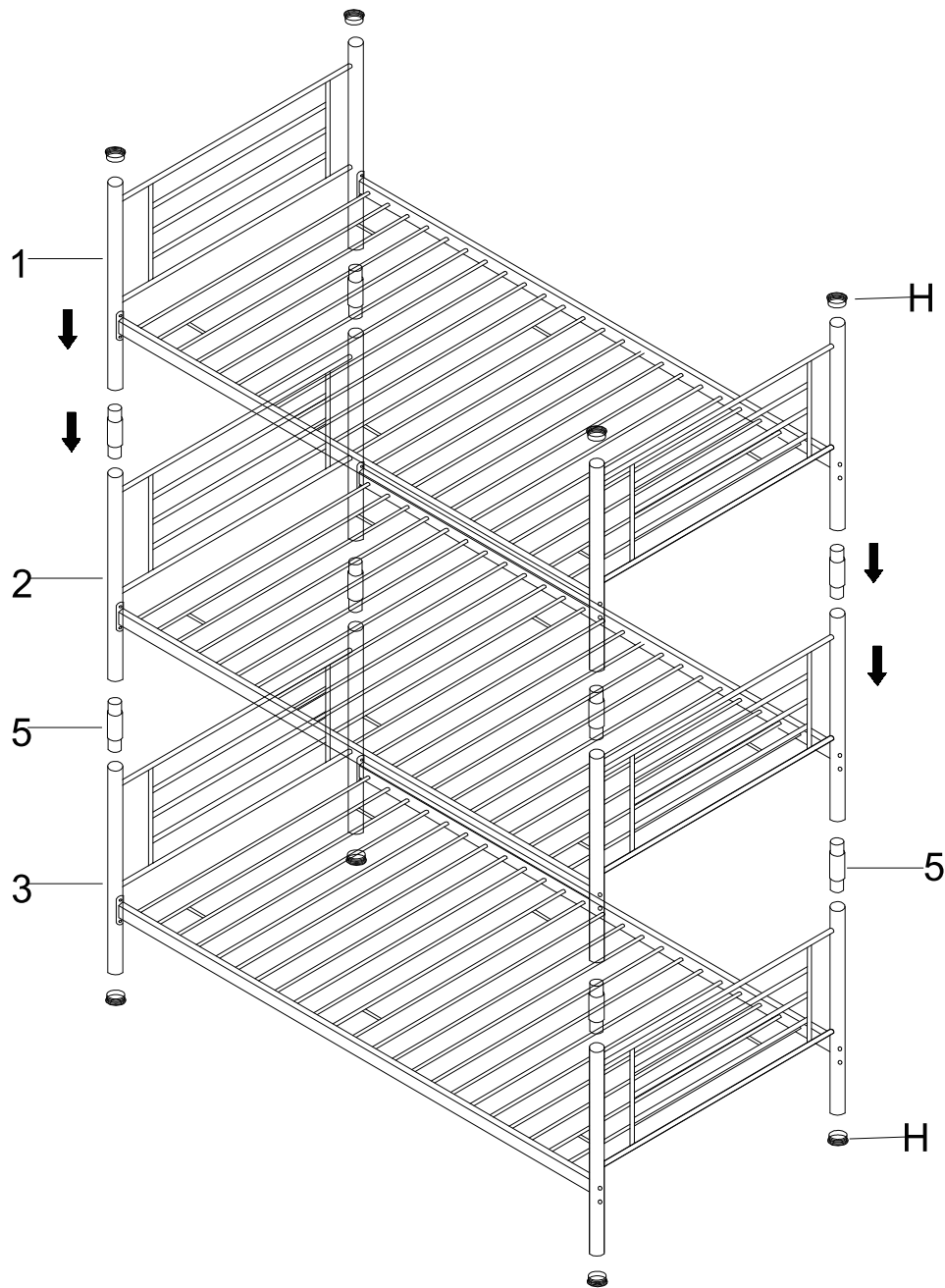
Joint the headboard and footboard together with the bed base




All the 3 lawyers should be jointed as the same way .

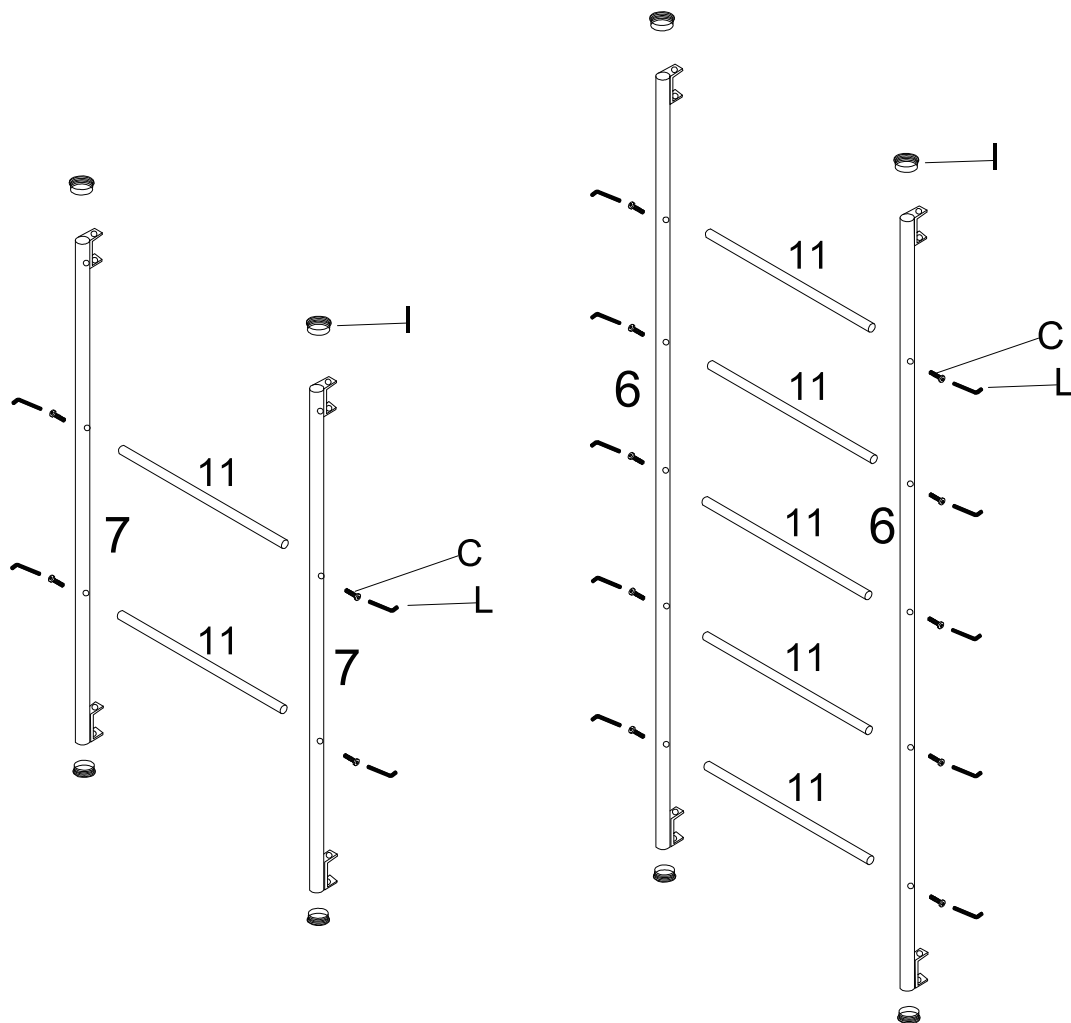
CODE	HARDWARE	QTY
A	 M8X65	12
M	 M8X45	12
G	 M8	24
L	 1/5"	1
F	 M8	12




STEP 4



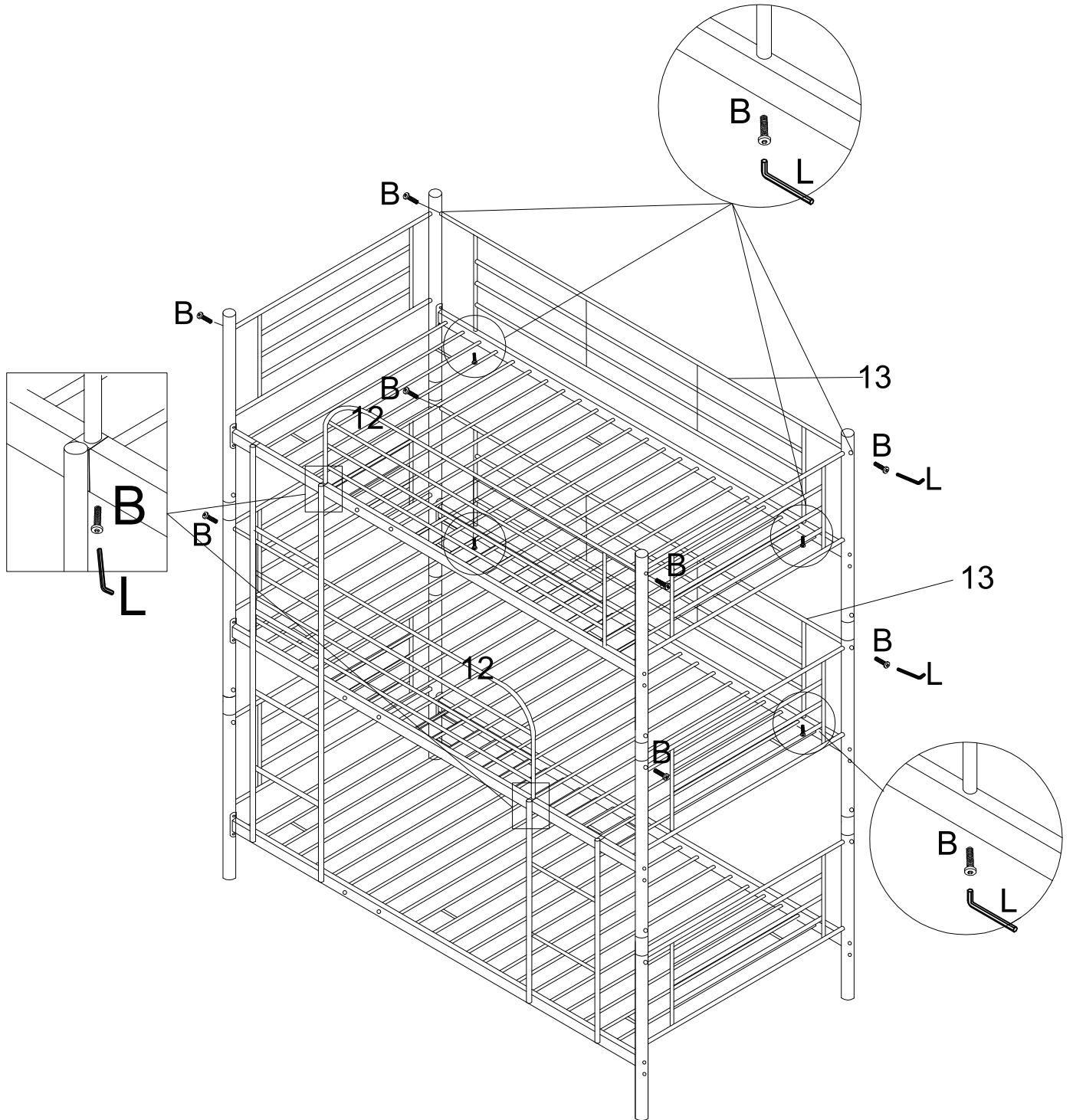
CODE	HARDWARE	QTY
H		8

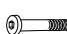

STEP 5 Assemble the ladders



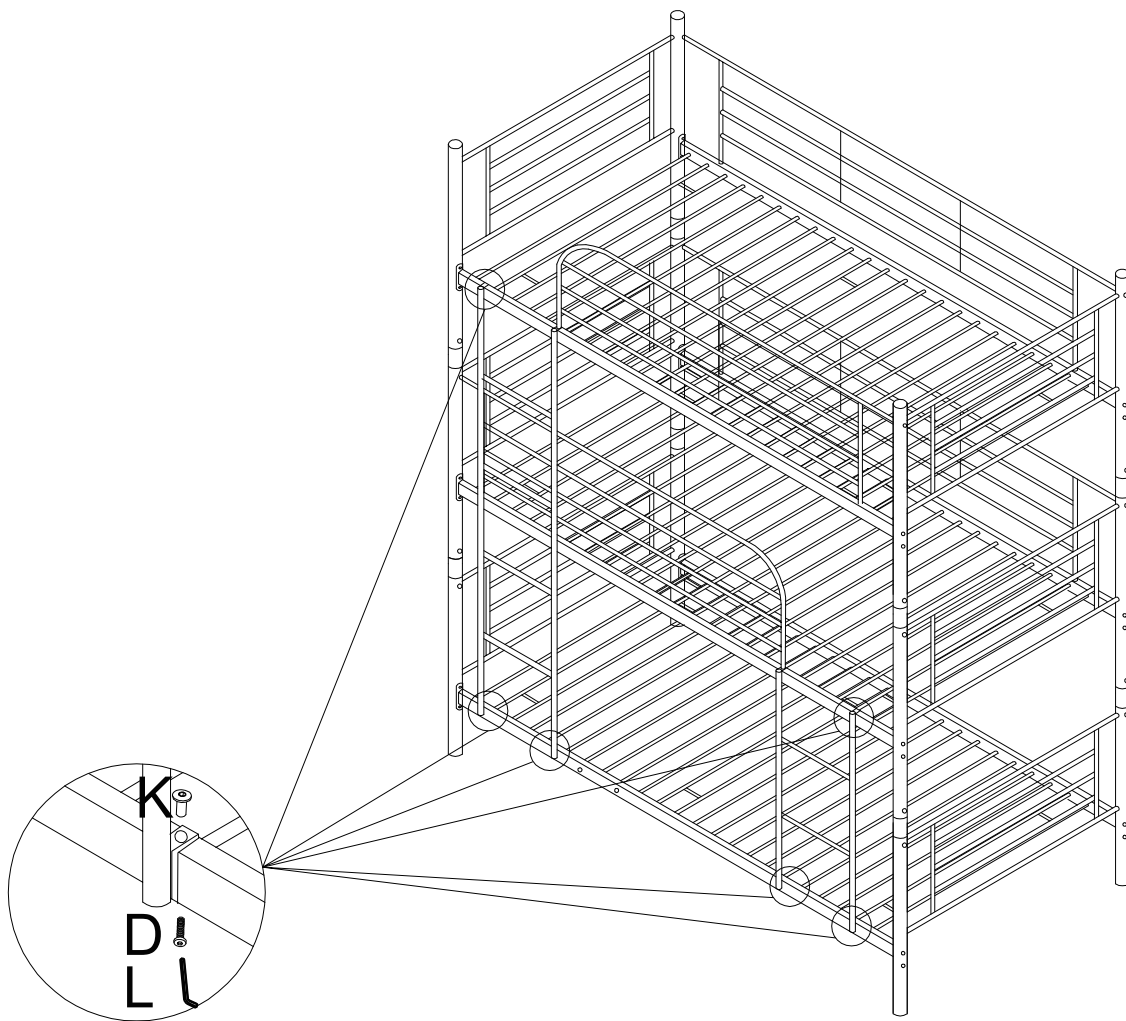
CODE	HARDWARE	QTY
C	 M6X35	14
L	 1/6"	1
I		8




STEP 6 Assemble the guard rails and ladders



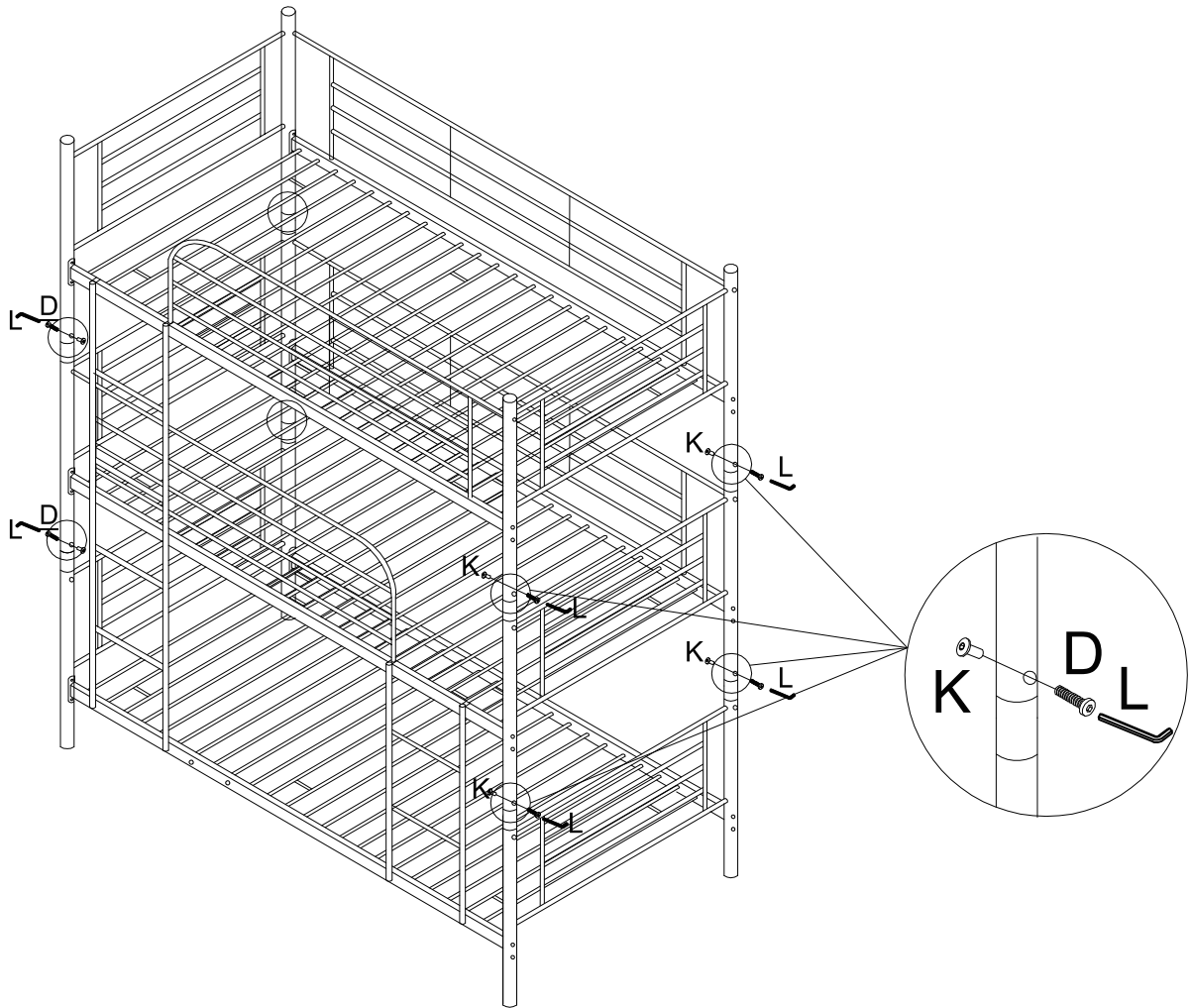
CODE	HARDWARE	QTY
B	 M6X65	14
L	 1/6"	1




STEP 7 Assemble the ladders on the side rails



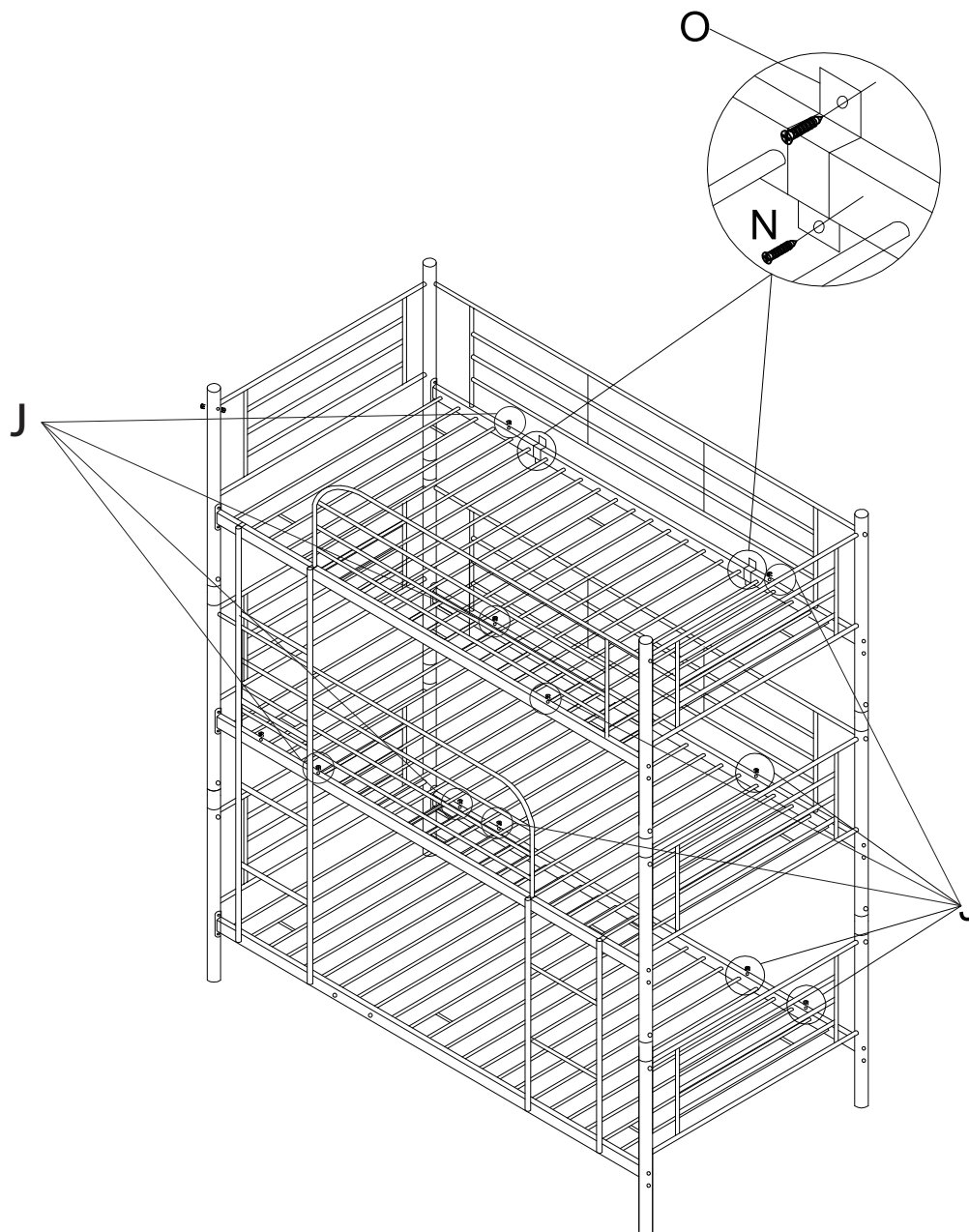
CODE	HARDWARE	QTY
D	 M6X45	6
K	 M6	6
L	 1/6"	1




STEP 8 Tighten the connecting pipe 5



CODE	HARDWARE	QTY
D	 M6X45	8
K	 M6	8
L	 1/6"	1

STEP 9 Assemble the plastic caps J and the metal parts O



CODE	HARDWARE	QTY
J		10
N	 M5X30	4
O		2