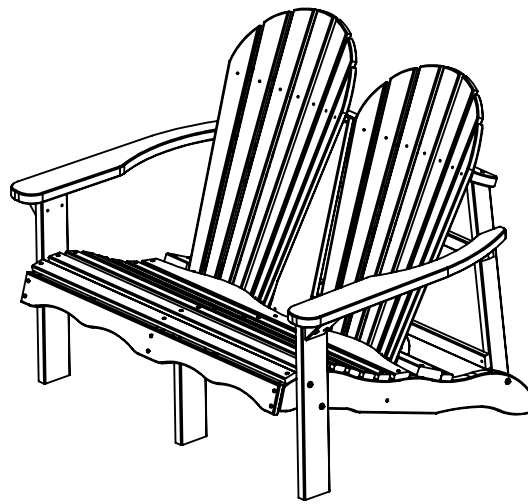
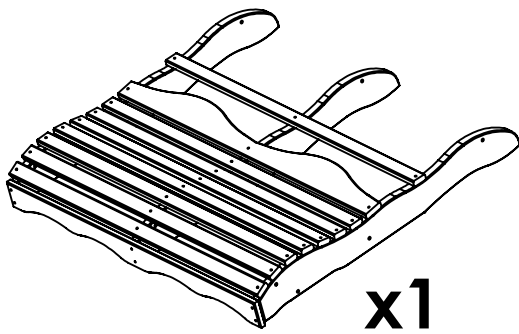


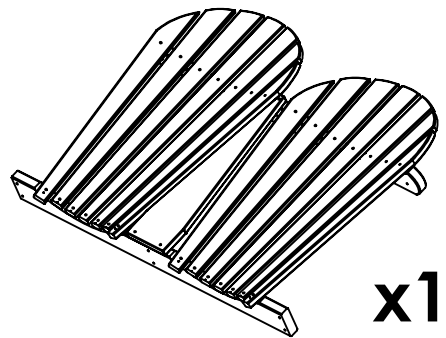
57933



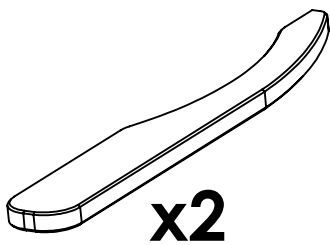
1



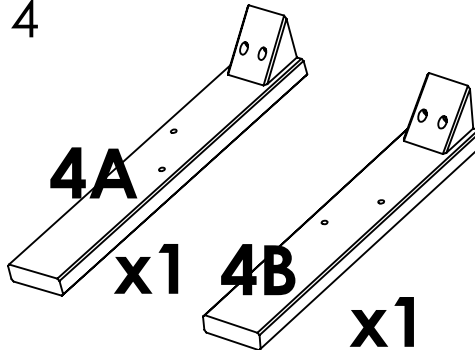
2



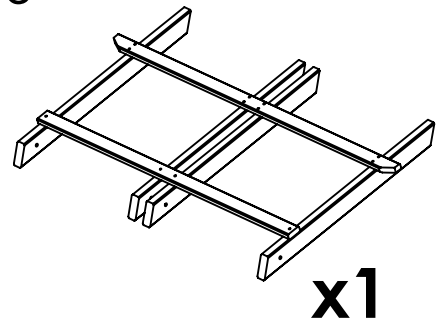
3



4



5



A



M6x55

x8

6

B



M6

x9

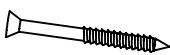
C



4x50

x14

D



5x50






x4

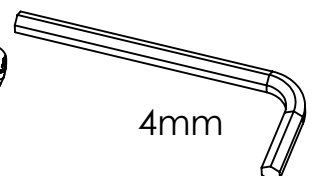
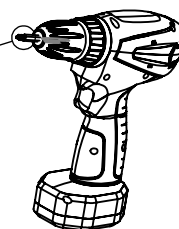
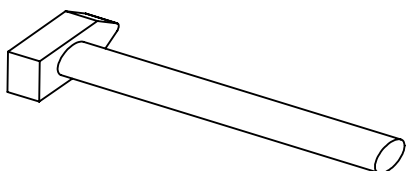
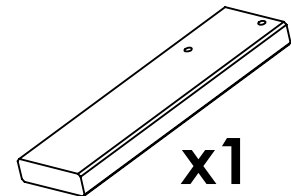
E



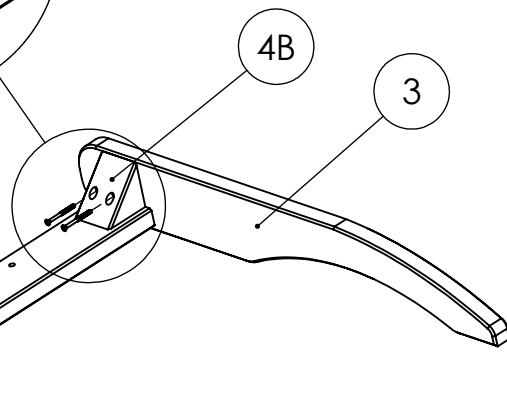
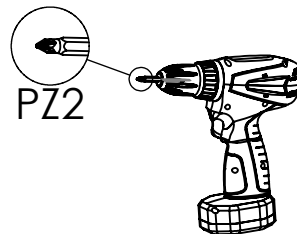
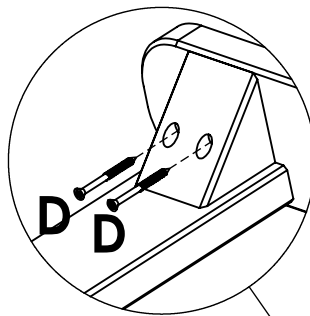
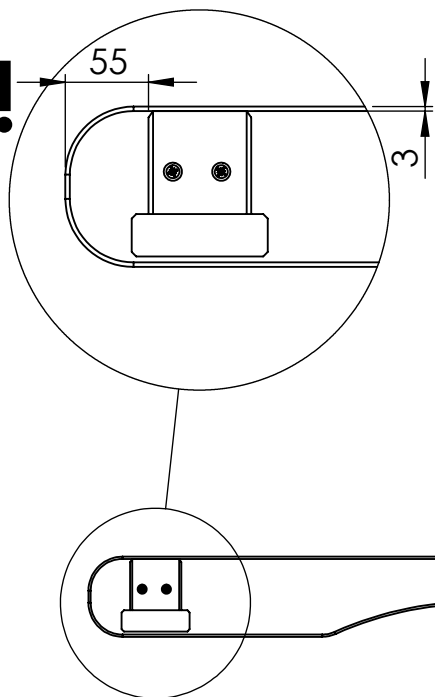
M6x85

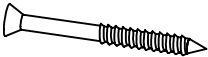
x1

A		M6x55	x8
B		M6	x9
C		4x50	x14
D		5x50	x4
E		M6x85	x1

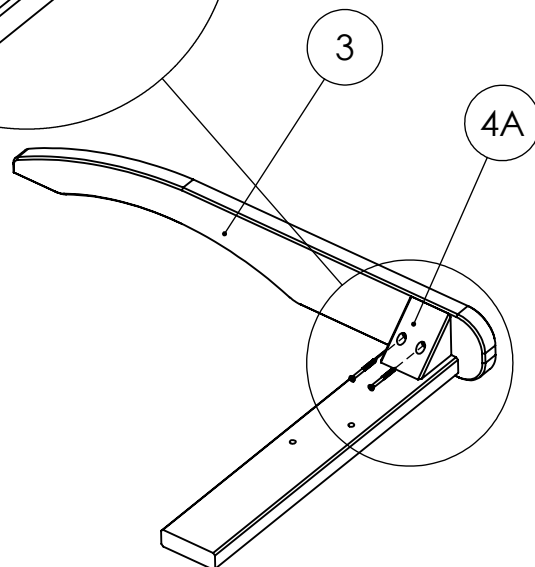
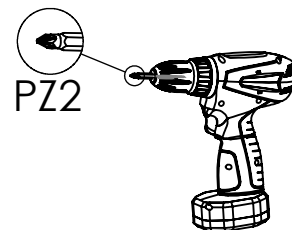
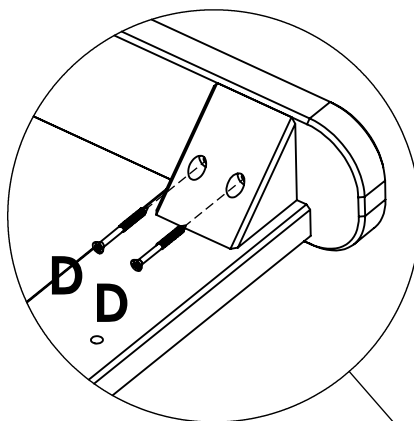
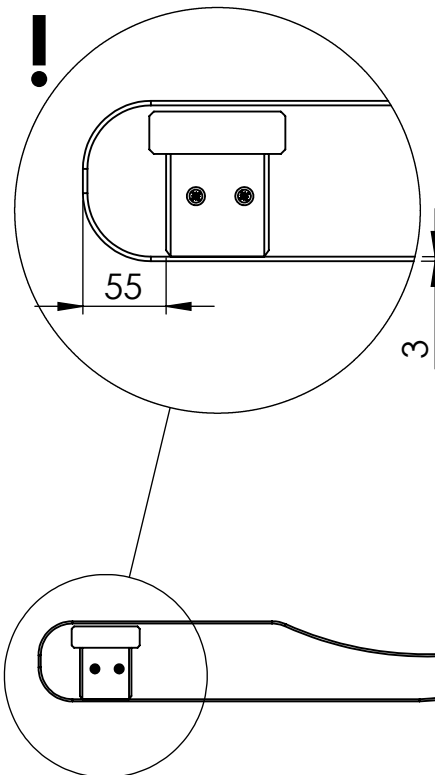


1

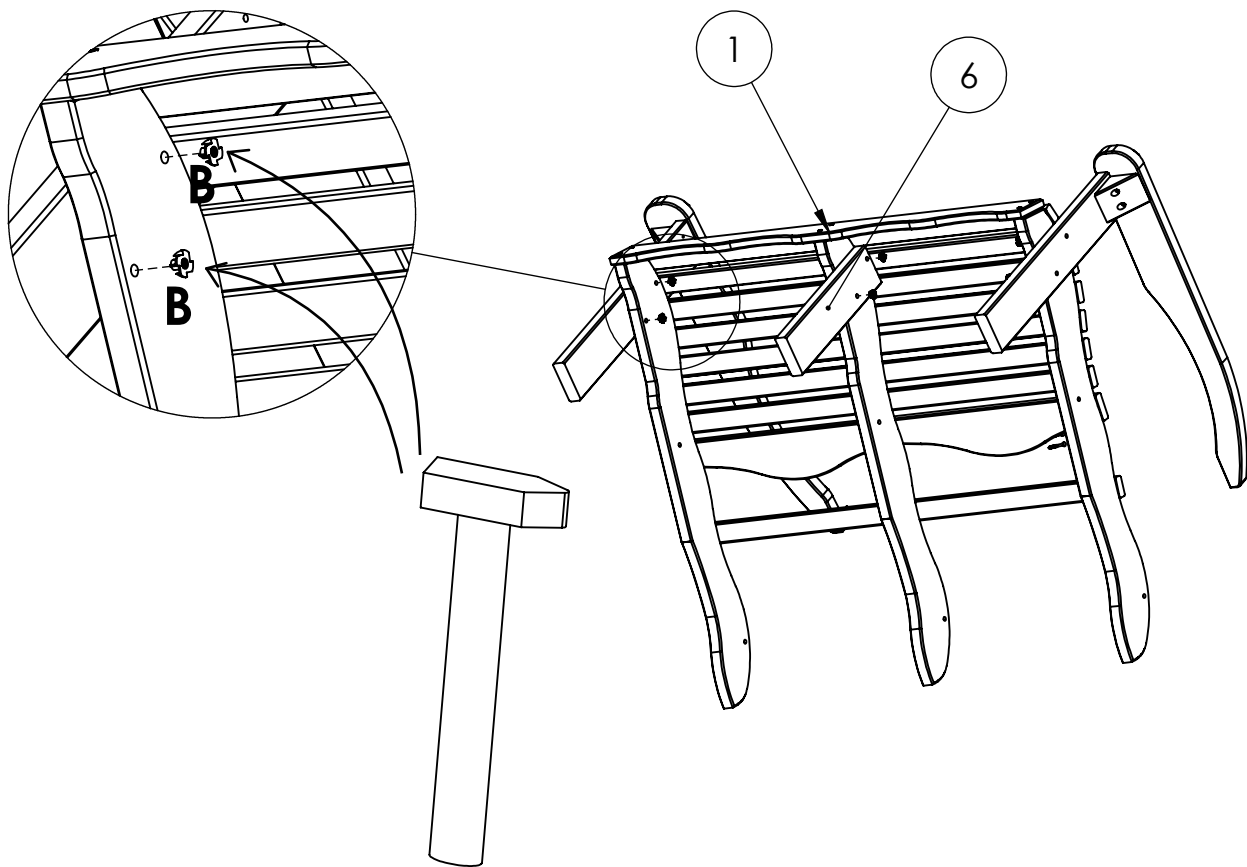


D		5x50	x2
----------	---	-------------	-----------

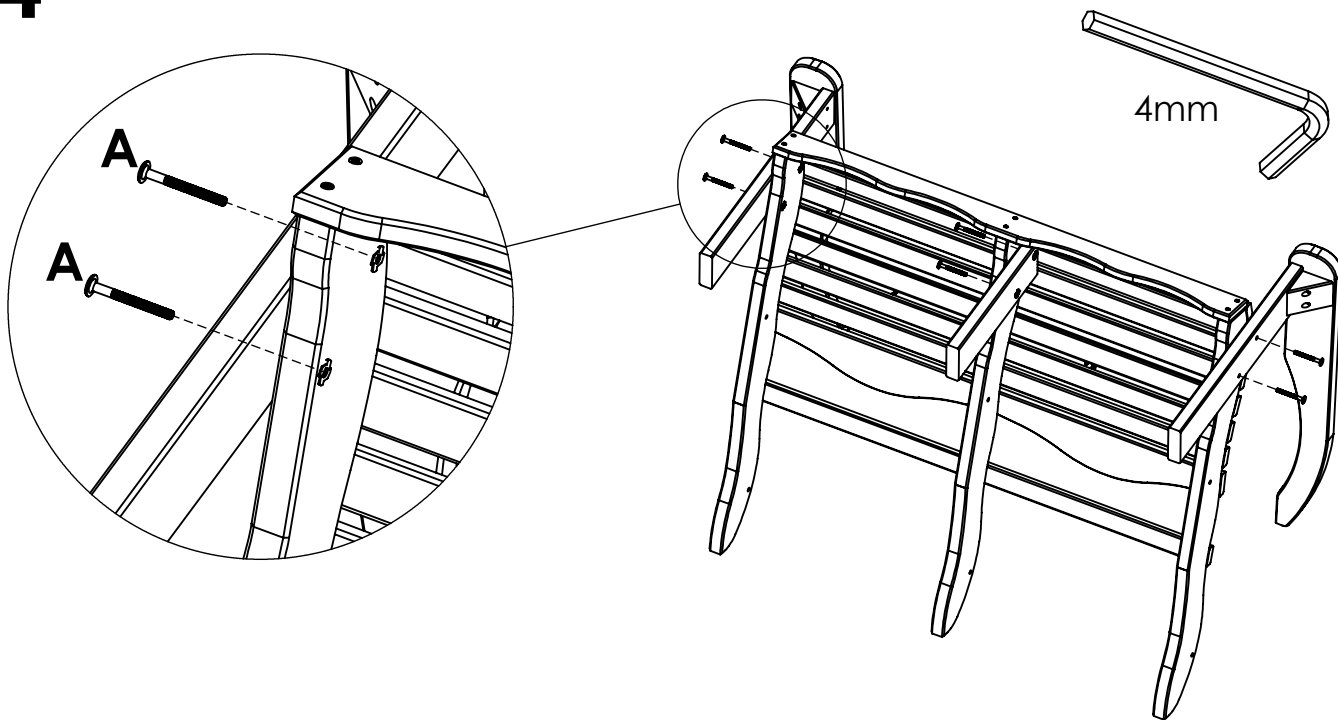
2



D		5x50	x2
----------	---	-------------	-----------

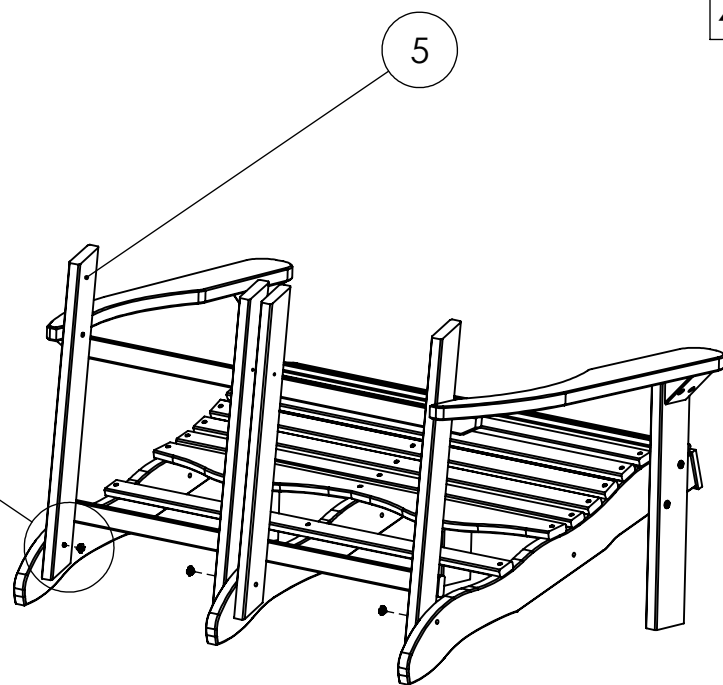
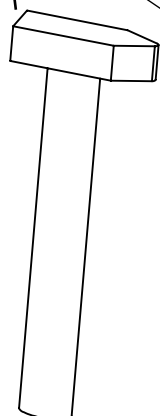
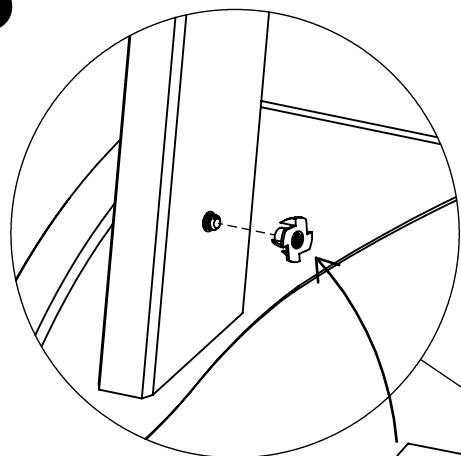


B		M6	x6
----------	---	-----------	-----------



A		M6x55	x6
----------	---	--------------	-----------

5



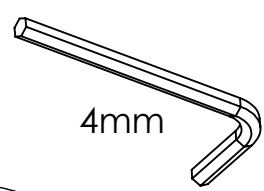
B



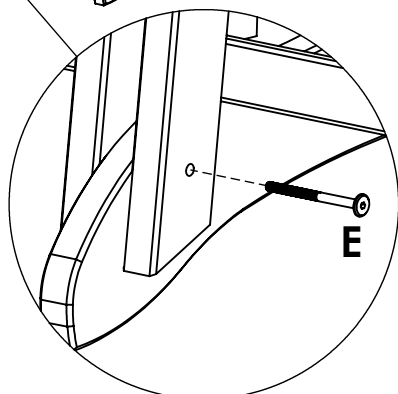
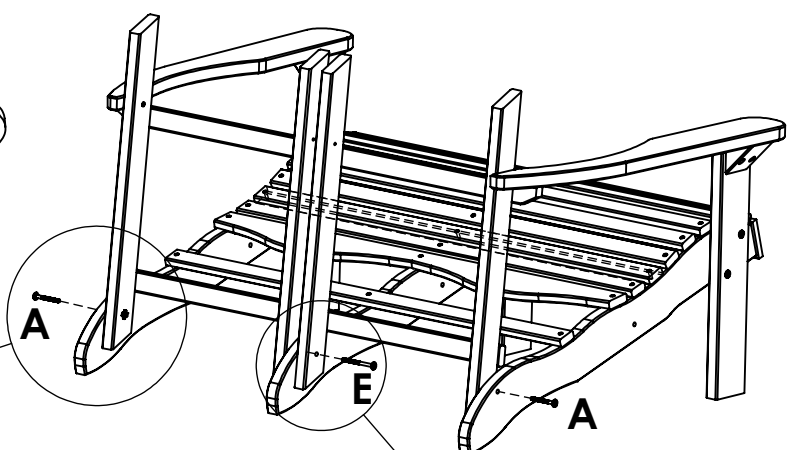
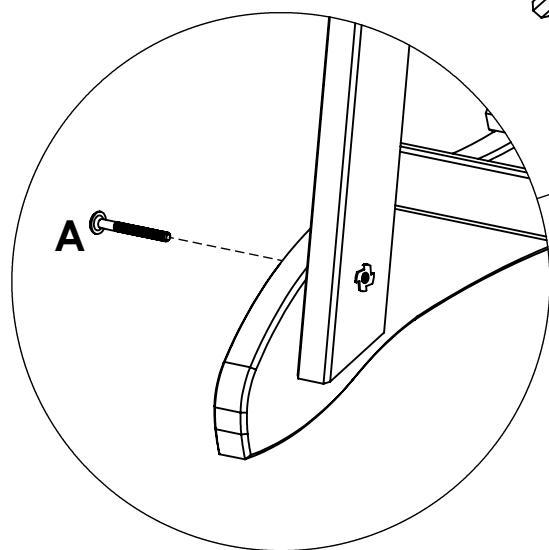
M6

x3

6



4mm



A



M6x55

X2

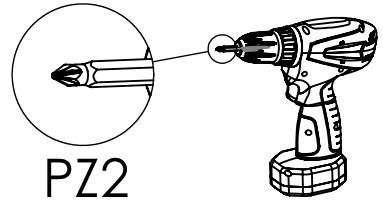
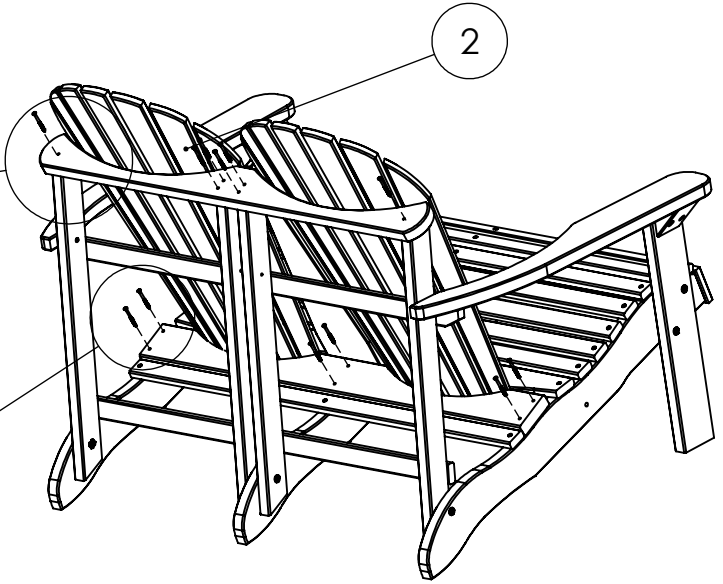
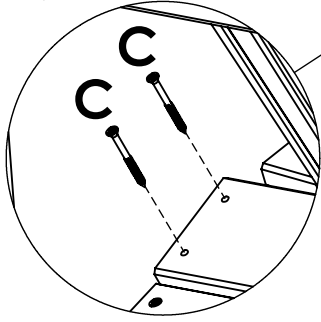
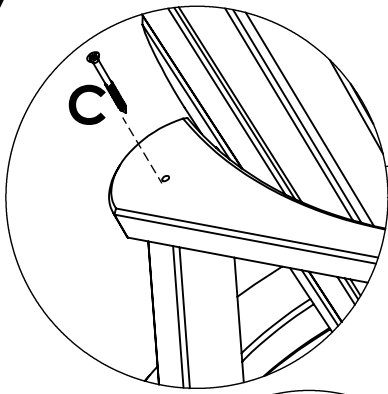
E



M6x85

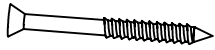
x1

7



PZ2

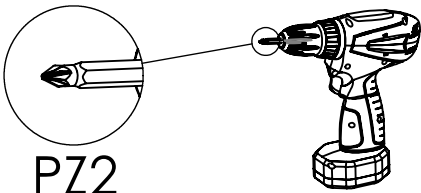
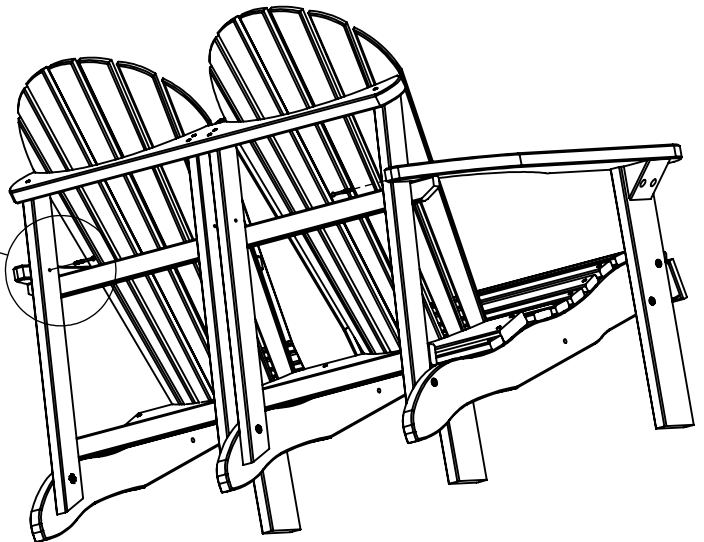
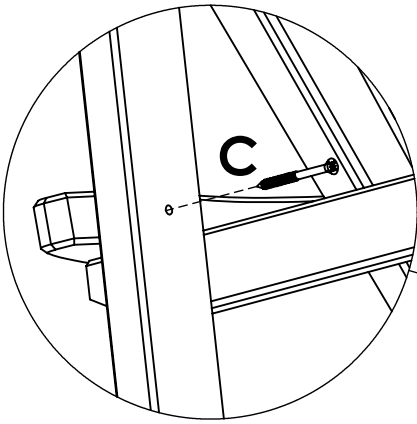
C



4x50

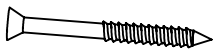
x12

8



PZ2

C



4x50

x2