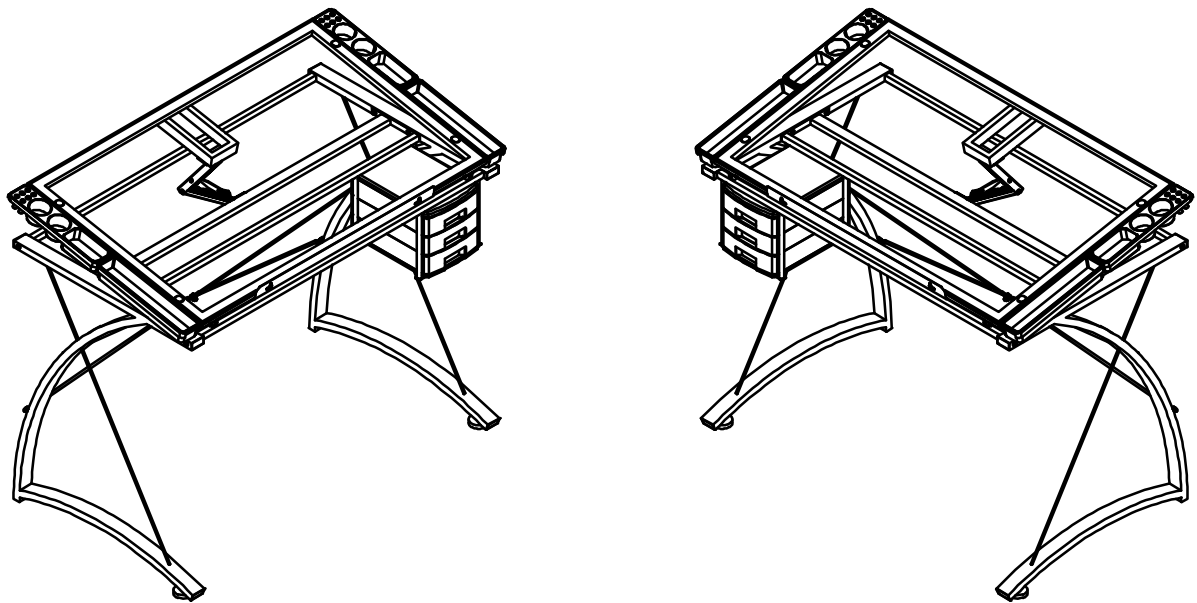


*ASSEMBLY INSTRUCTIONS
COASTER FINE FURNITURE*



Fine Furniture for every stage of life



ASSEMBLY INSTRUCTIONS

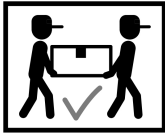
ASSEMBLY TIPS:

1. Remove hardware from box and sort by size.
2. Please check to see that all hardware and parts are present prior to start of assembly.
3. Please follow attached instructions in the same sequence as numbered to assure fast & easy assembly.



WARNING!

1. Don't attempt to repair or modify parts that are broken or defective. Please contact the store immediately.
2. This product is for home use only and not intended for commercial establishments.



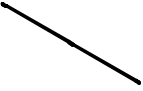
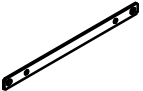
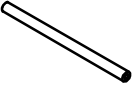
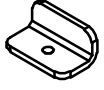
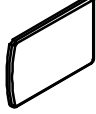

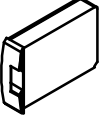
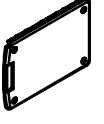

ASSEMBLY TIME 70 MINUTES

PARTS IDENTIFICATION

A	LEFT LEG		1PC
B	RIGHT LEG		1PC
C	CENTER SUPPORT BAR		1PC
D	TOP FRAME		1PC
E	FRONT SUPPORT BAR		1PC
F	BACK SUPPORT BAR		1PC
G	PEN HOLDER		1PC


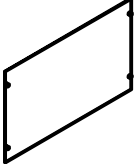
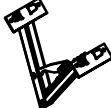
ASSEMBLY INSTRUCTIONS

PARTS IDENTIFICATION













H	WIRE SUPPORT		2PCS
I	BOTTOM DRAWER SUPPORT		2PCS
J	DRAWER SUPPORT		4PCS
K	CONNECTING BRACKET		8PCS
L	TOP DRAWER		1PC
M	DRAWER FRAME		3PCS
N	DRAWER		3PCS
O	BOTTOM DRAWER		1PC
P	PEN ART TRAY		2PCS

ASSEMBLY INSTRUCTIONS

PARTS IDENTIFICATION

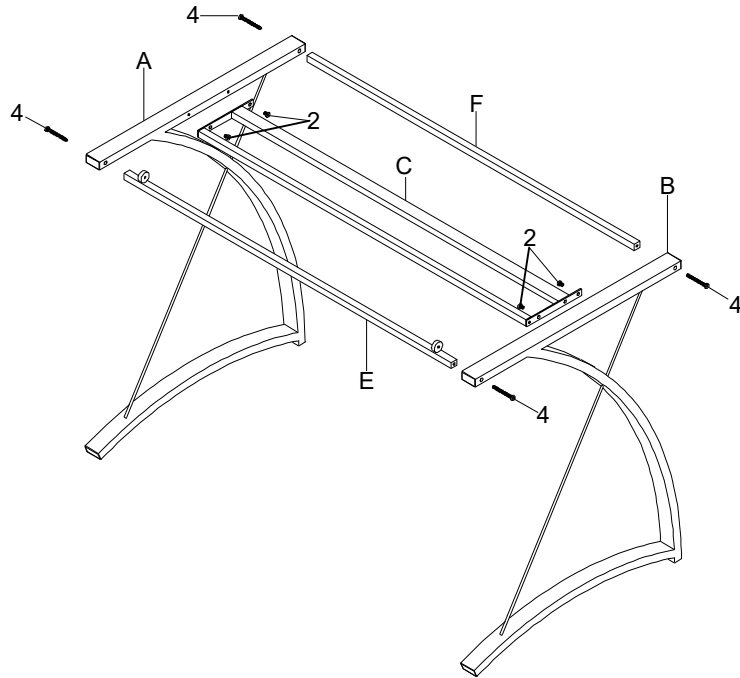
Q	ART TRAY		2PCS
R	TOP GLASS		1PC
S	ANGLE ADJUSTMENT BASKET		1PC

HARDWARE IDENTIFICATION

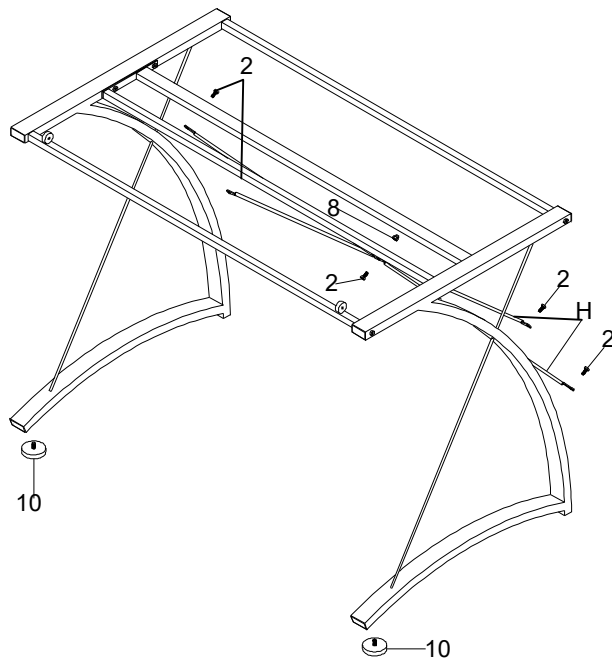
1	TOP GLASS ALLEN-BOLT (1/4" x 8mm)		4PCS	7	ALLEN BOLT SMALL (1/4" x 15mm)		2PCS
2	ALLEN BOLT MEDIUM (1/4" x 12mm)		9PCS	8	NUT (1/4")		1PC
3	ALLEN BOLT LARGE (1/4" x 19mm)		4PCS	9	SCREW (4 x 12mm)		4PCS
4	SIDE ALLEN BOLT (1/4" x 50mm)		4PCS	10	FLOOR LEVELER (5/16" x 18mm)		2PCS
5	BOLT (3/16" x 12mm)		14PCS	11	ALLEN KEY (4mm)		1PC
6	CONNECTING BOLT (10 x 35mm)		4PCS	12	WRENCH (1/4")		1PC

ASSEMBLY INSTRUCTIONS

STEP 1

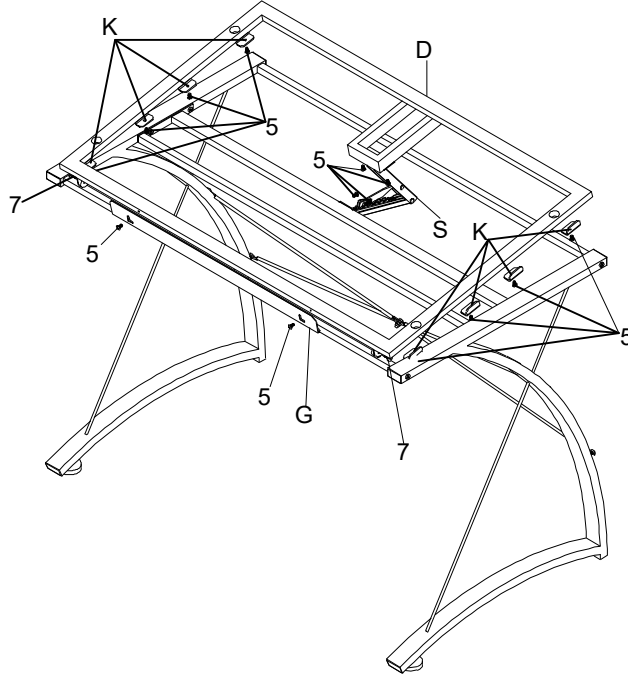


STEP 2

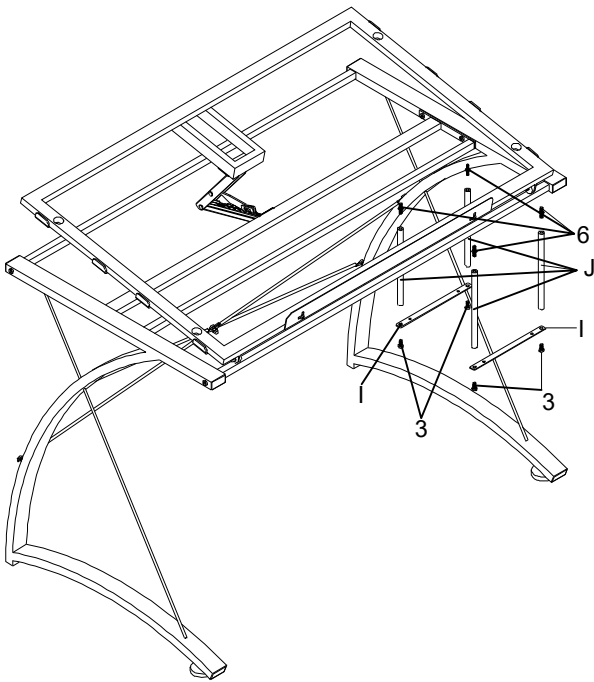


ASSEMBLY INSTRUCTIONS

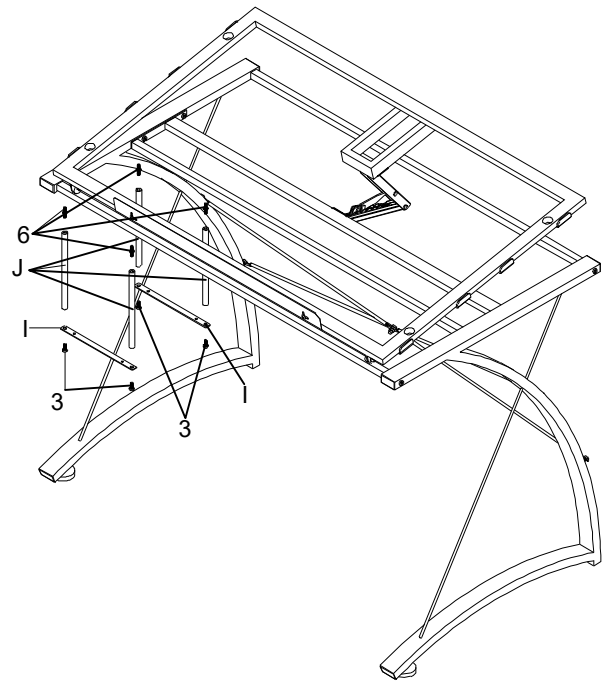
STEP 3



STEP 4



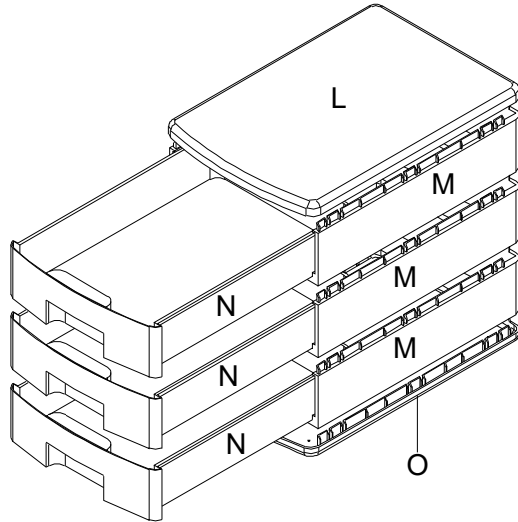
OPTION1



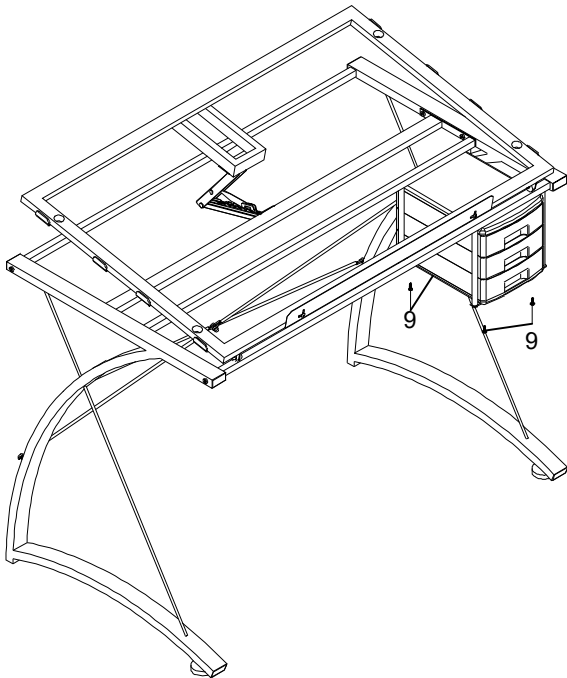
OPTION2

ASSEMBLY INSTRUCTIONS

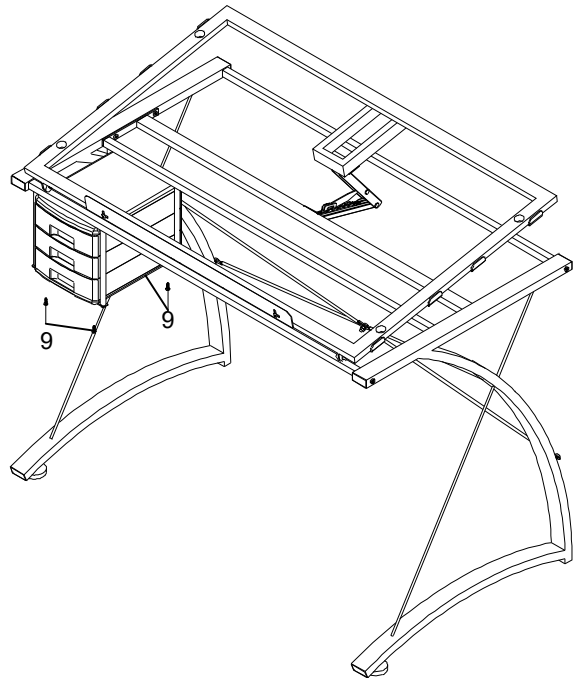
STEP 5



STEP 6



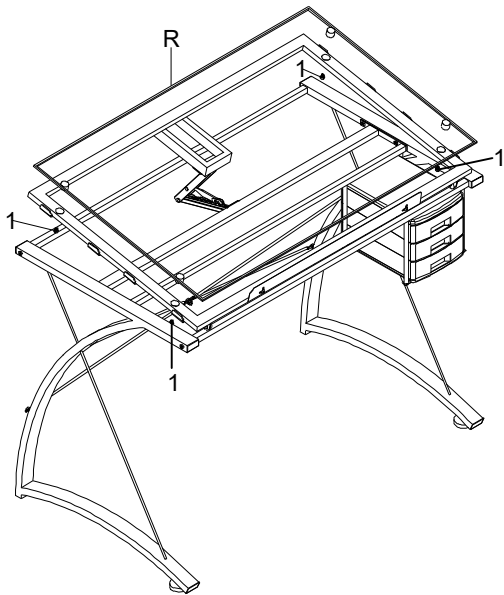
OPTION1



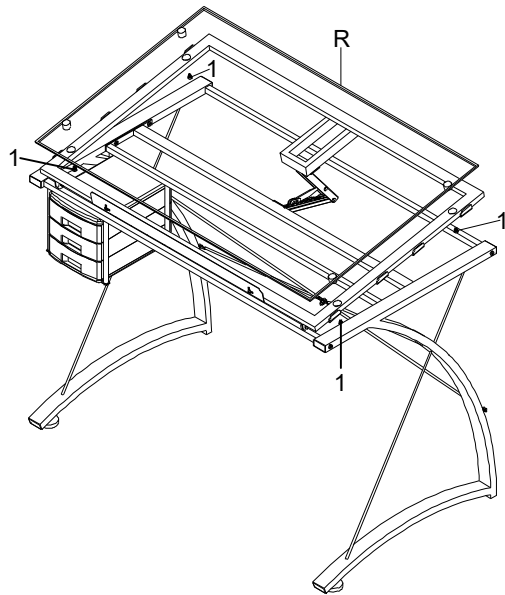
OPTION2

ASSEMBLY INSTRUCTIONS

STEP 7

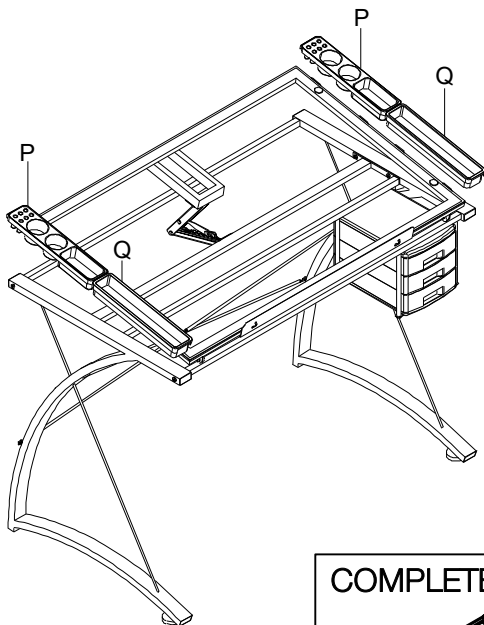


OPTION1



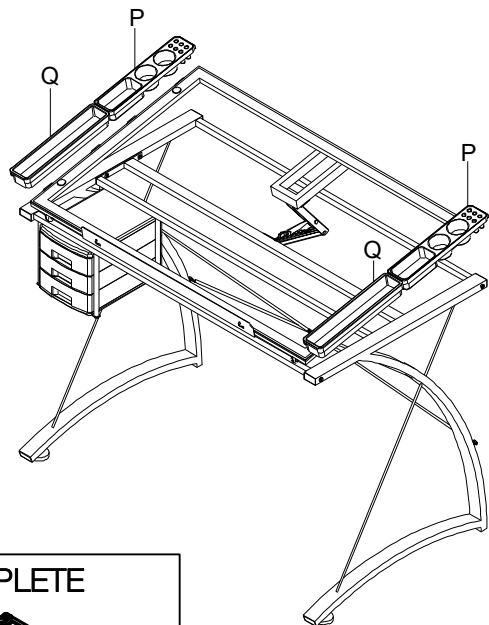
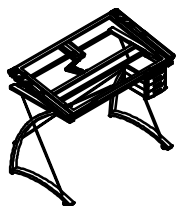
OPTION2

STEP 8



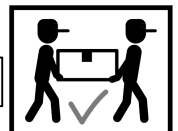
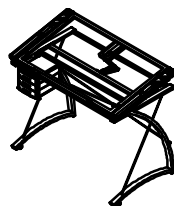
OPTION1

COMPLETE

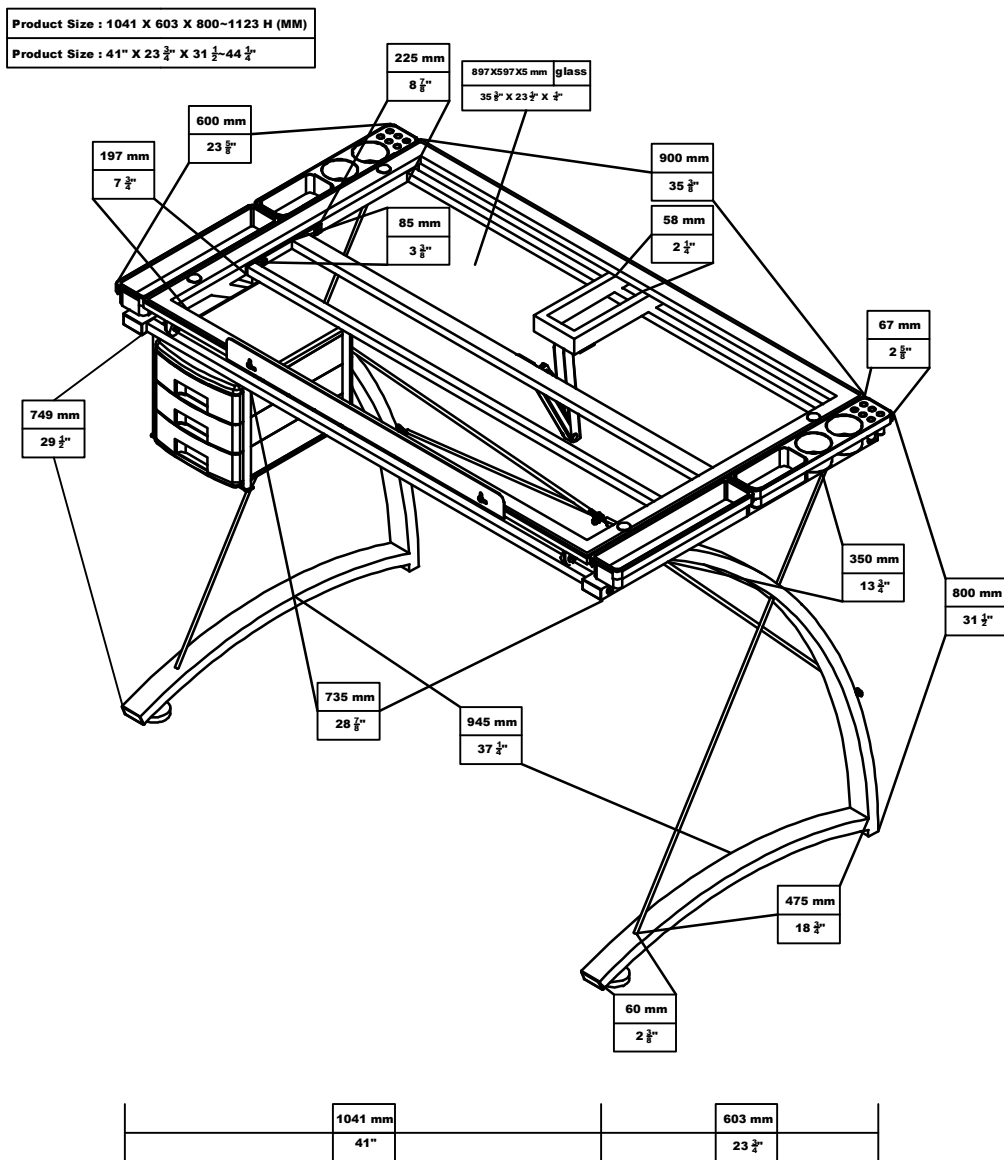


OPTION2

COMPLETE



ASSEMBLY INSTRUCTIONS



Note : Dimension tolerance $\pm 5\%$