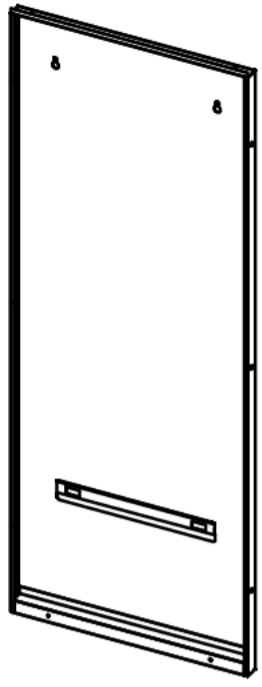
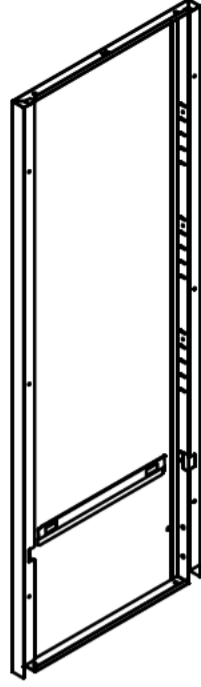


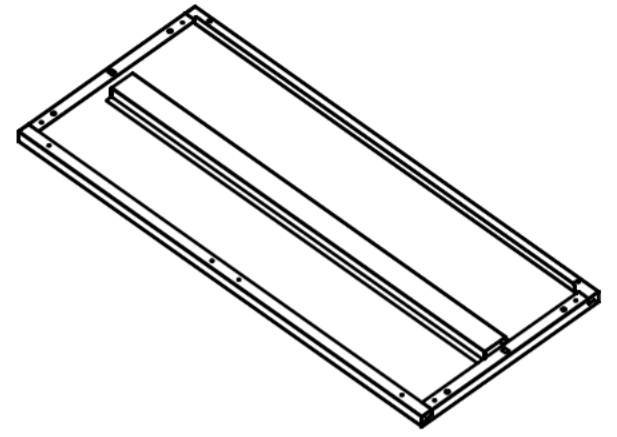
**NOTE: PLEASE AN ASSISTANT IS REQUIRED
ES NECESARIO UN AYUDANTE UN ASSISTANT
ES TNECESSAIRE.**



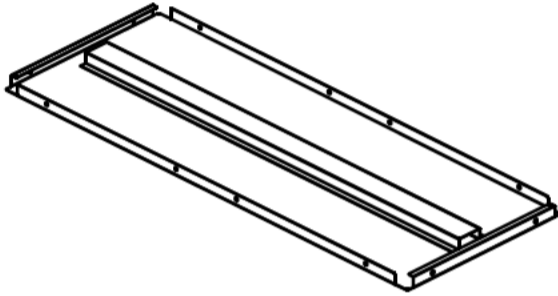
A:Back panel x2



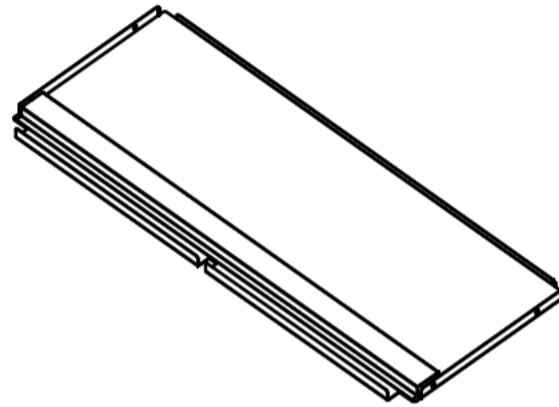
B:Side panel x2



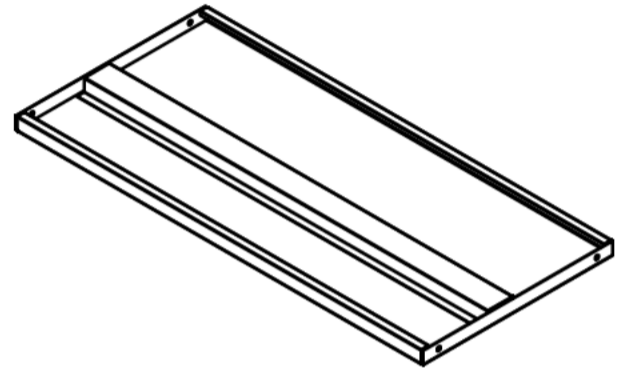
C:Top panel



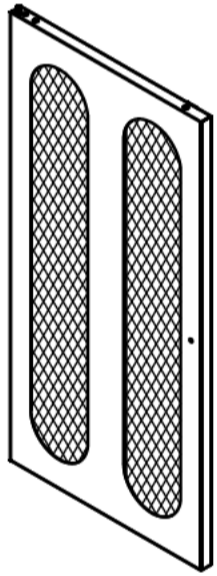
D:Bottom plate



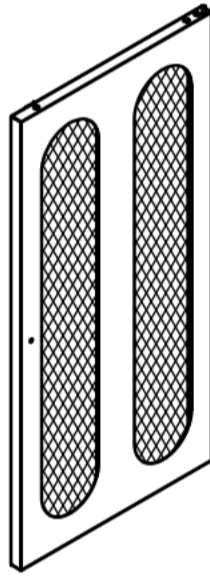
E: Middle shelf



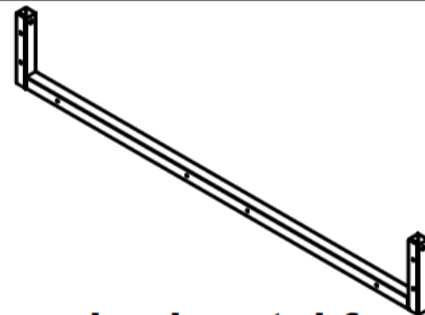
F:Shelving x 3



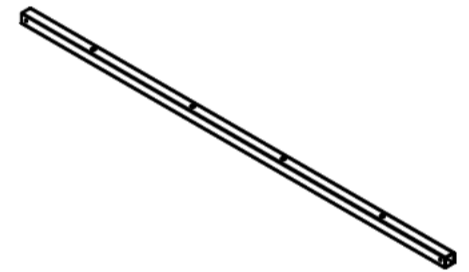
G:Left door



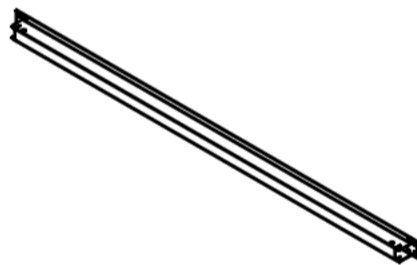
H:Right door



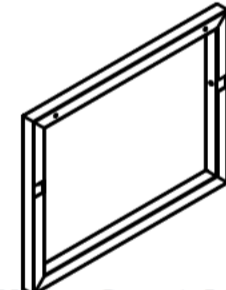
I:Lower horizontal frame



K:Leg connection pipe X 2



J:Medium horizontal frame



L:Standing foot X 2



M:Hold hands x2



M4×22

N:Hold hands screw x2



5×12

O:Screw x 46



P:Magnet x4



M5

Q:Door shaft pad x2



φ5

R:Door shaft x2



M5×8

S:Screw x 3



M5

T: Nut x 3



U:Adjustable feet x 4

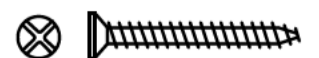


V:Shelf Support x 12



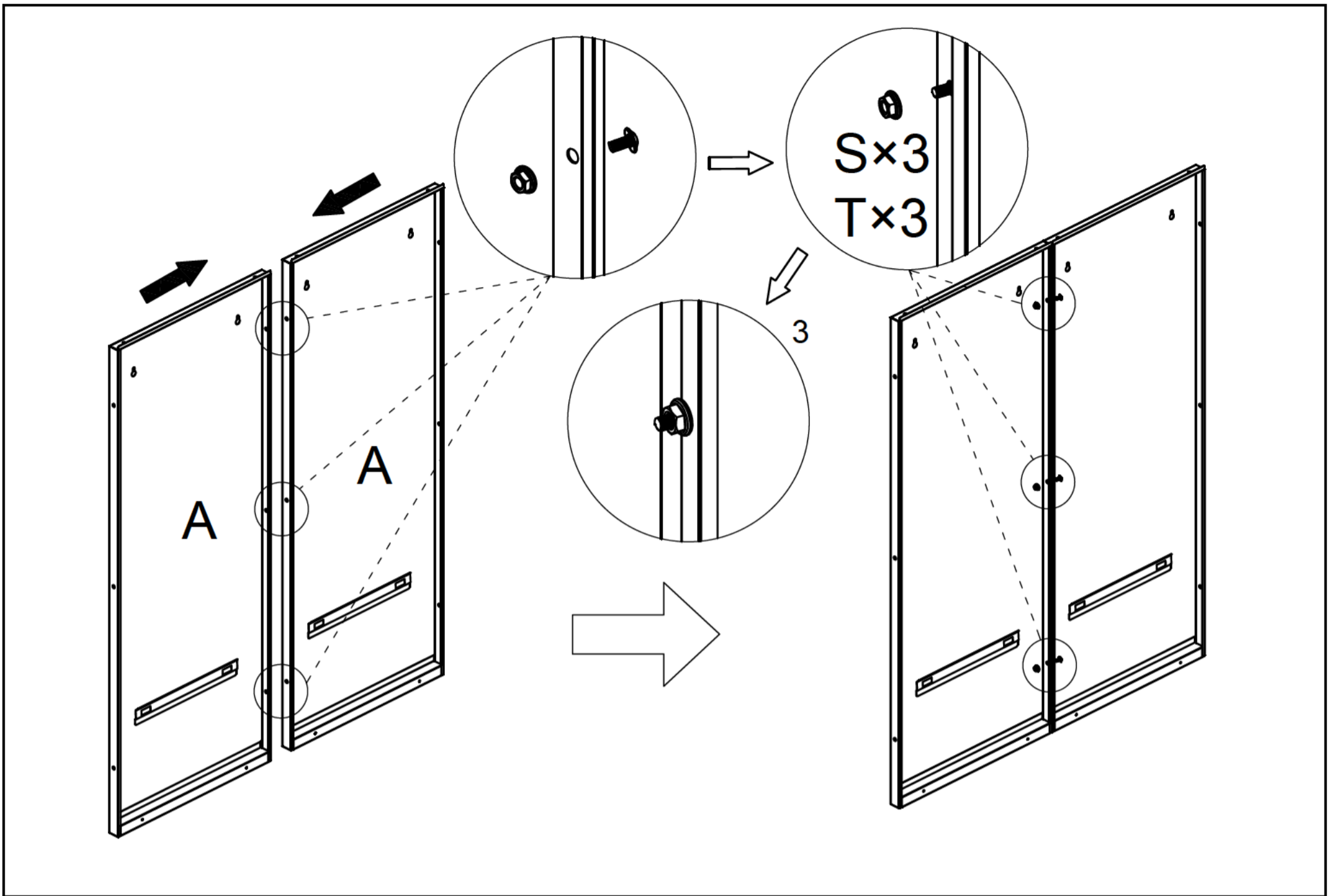
φ8

W:Wall plug x 2

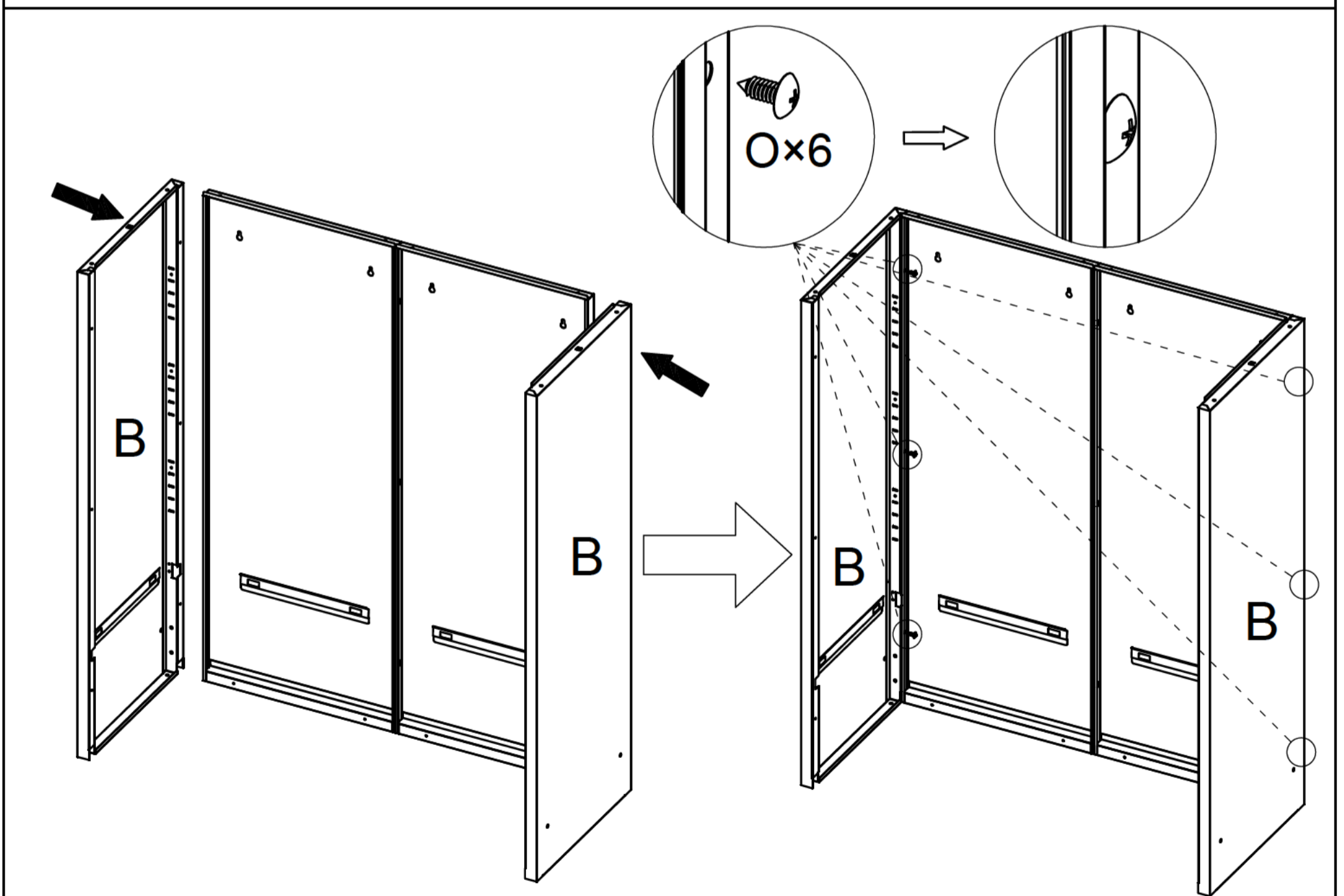


M4×30mm

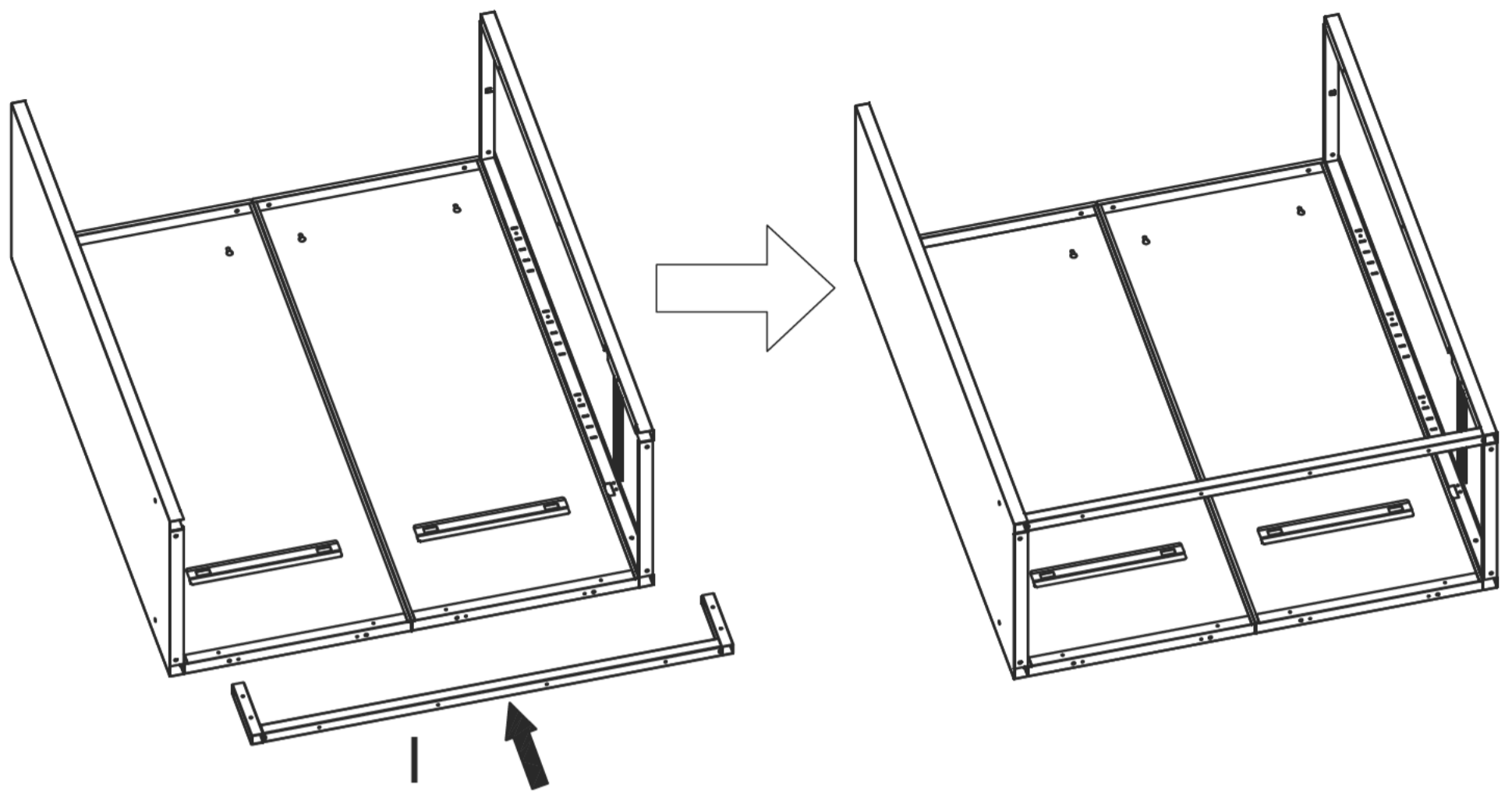
X:Screw x 2



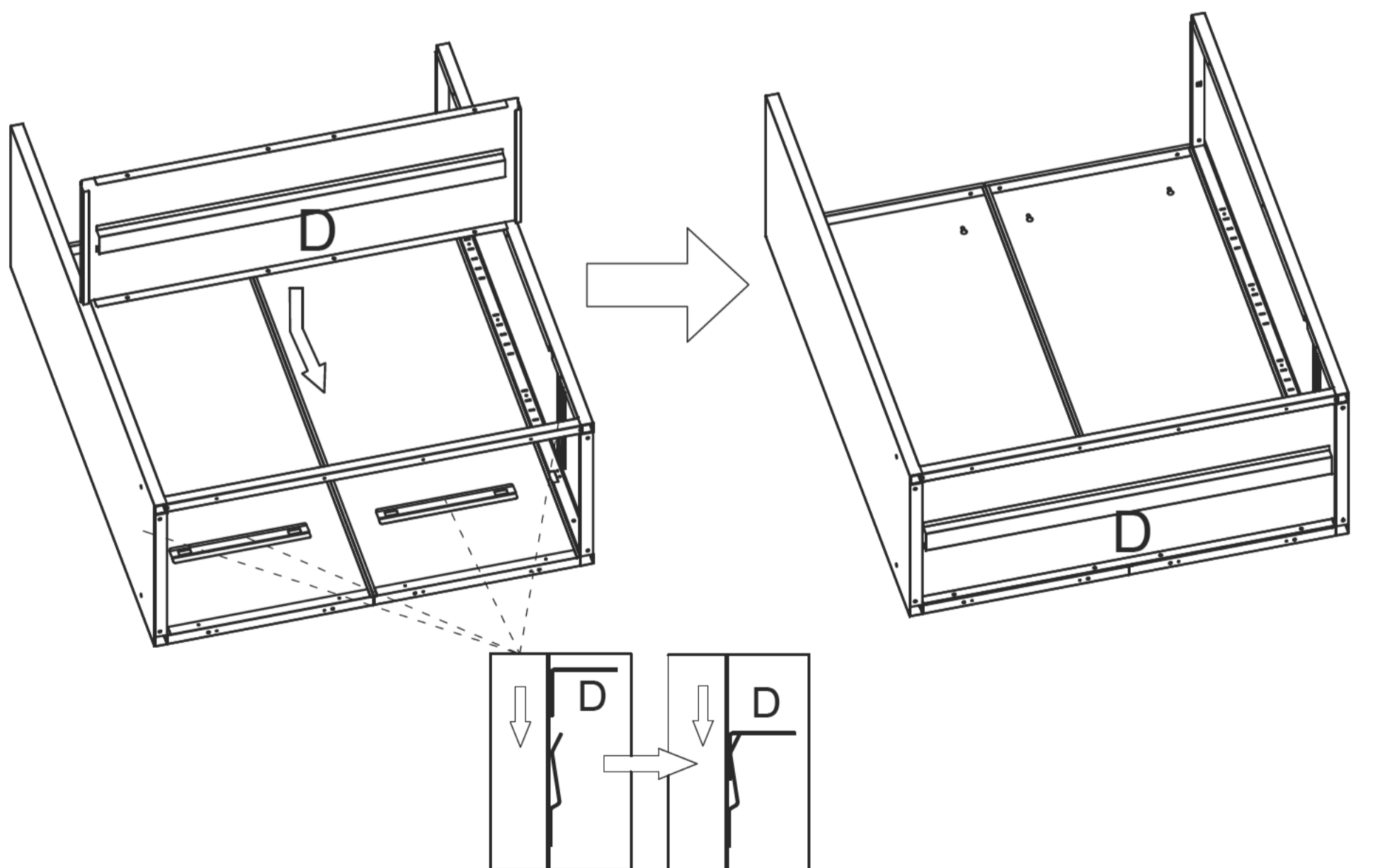
1. Install A, secure with screw S and nut T



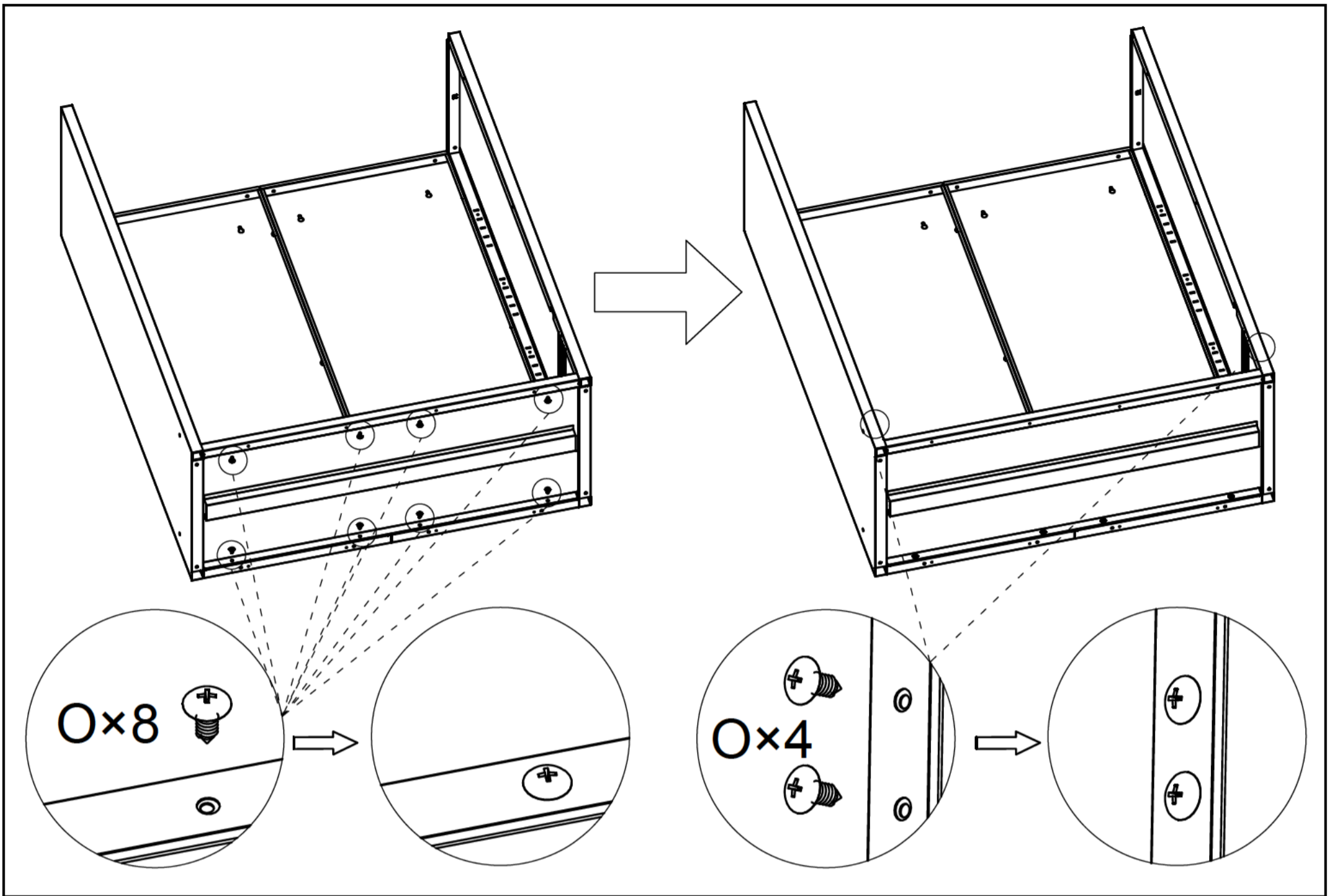
2. Install B, secure with screw O



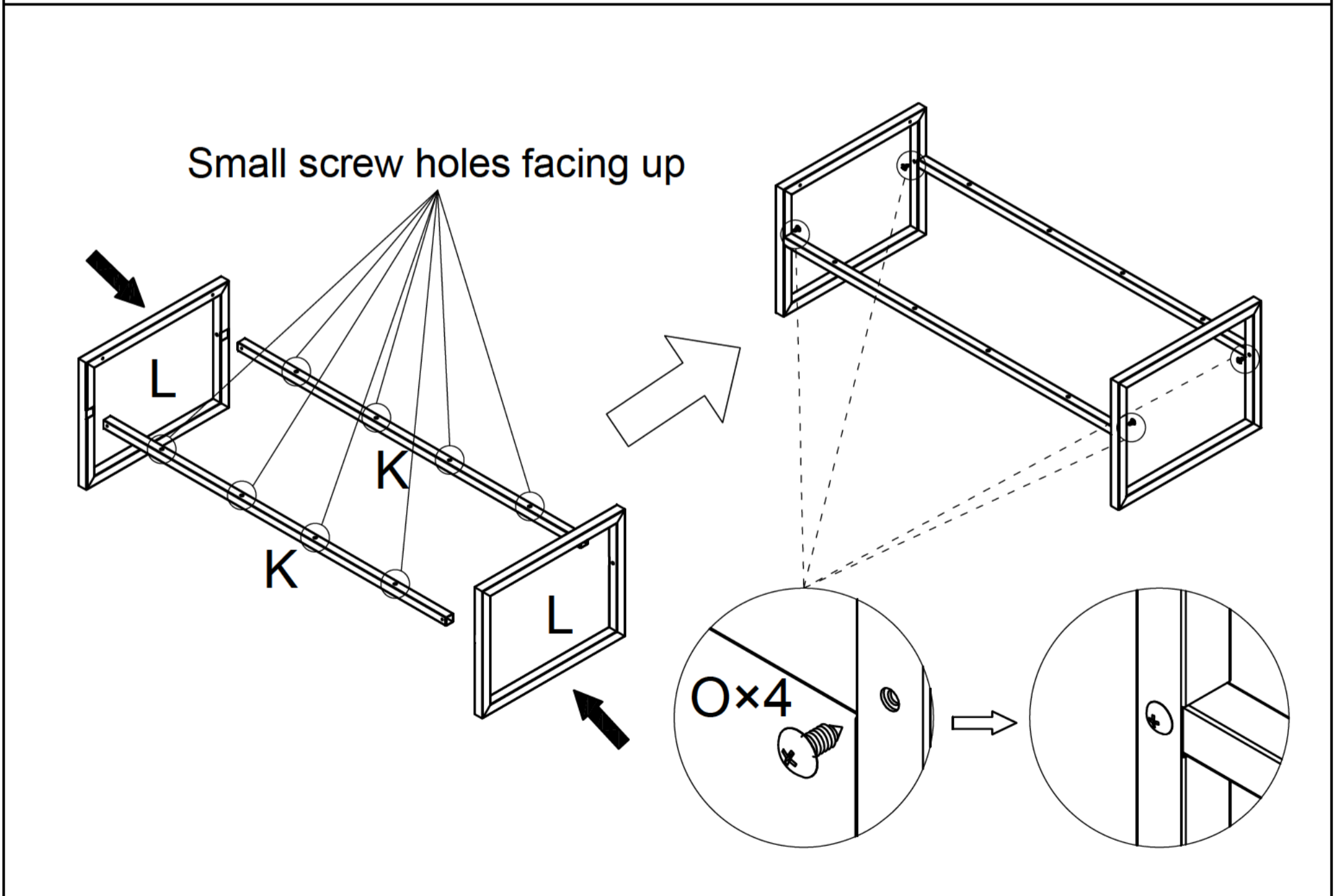
3. Install I



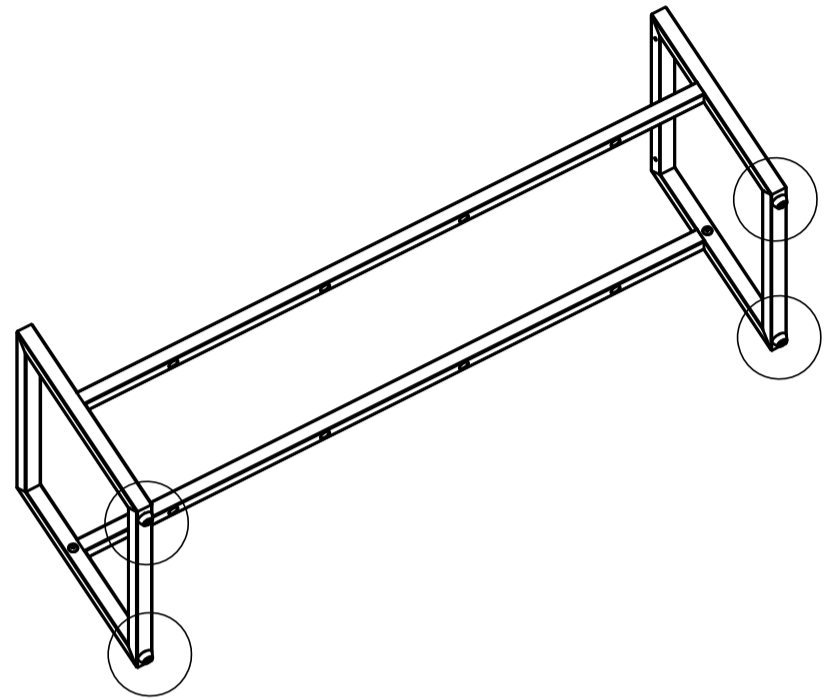
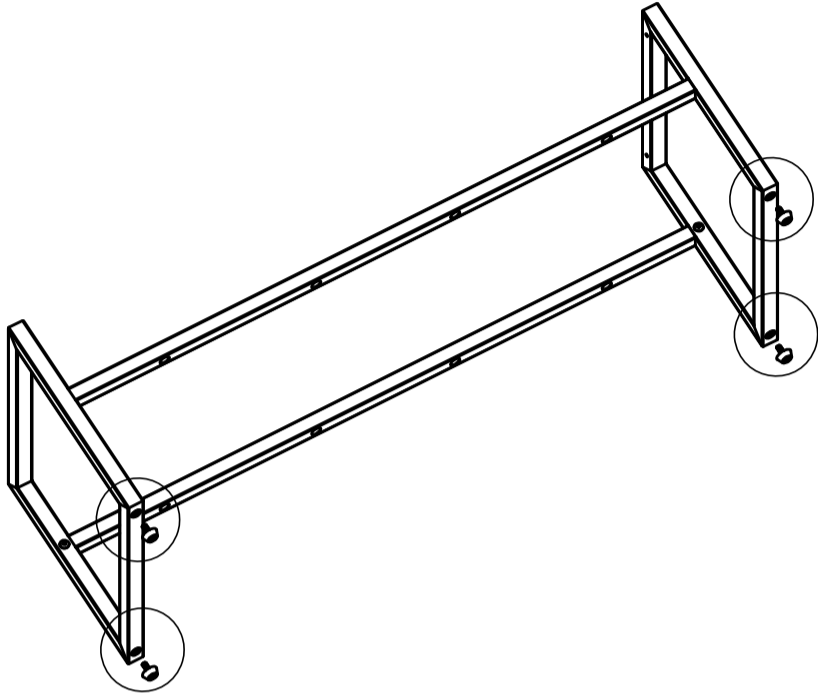
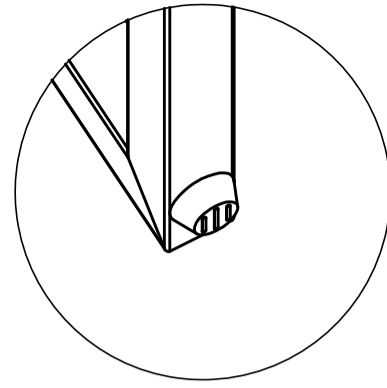
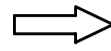
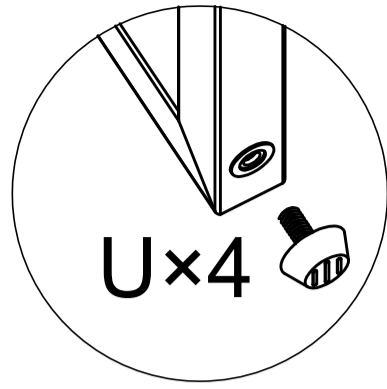
4. Install D



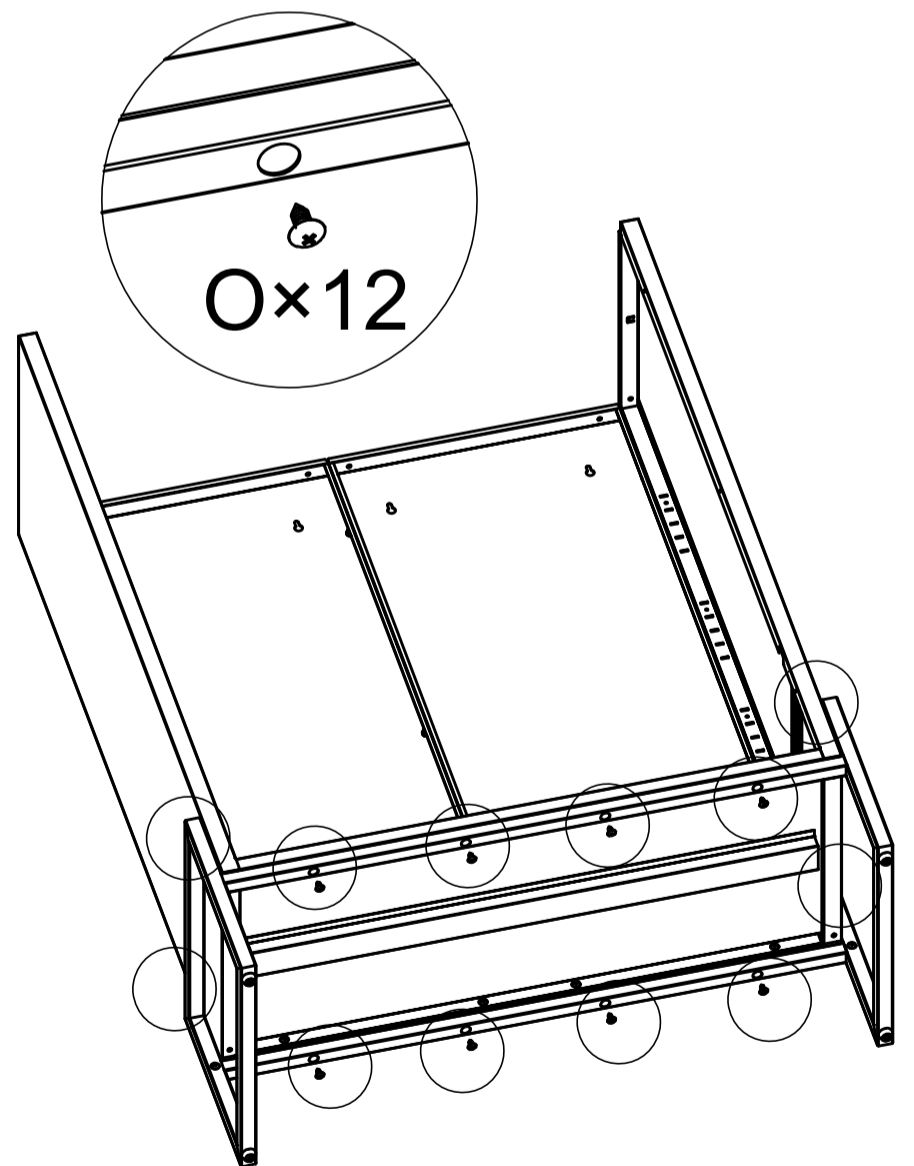
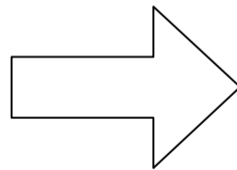
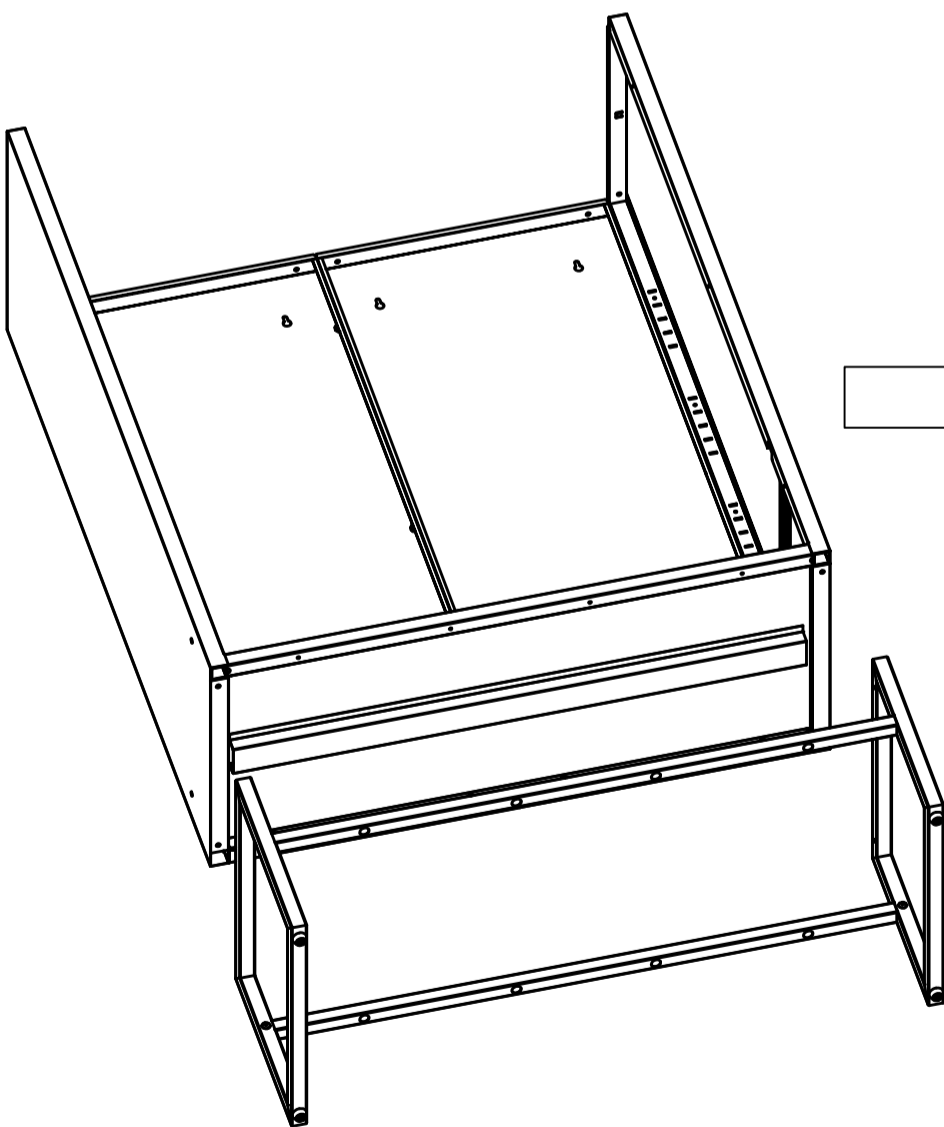
5. Secure D and I with screw O



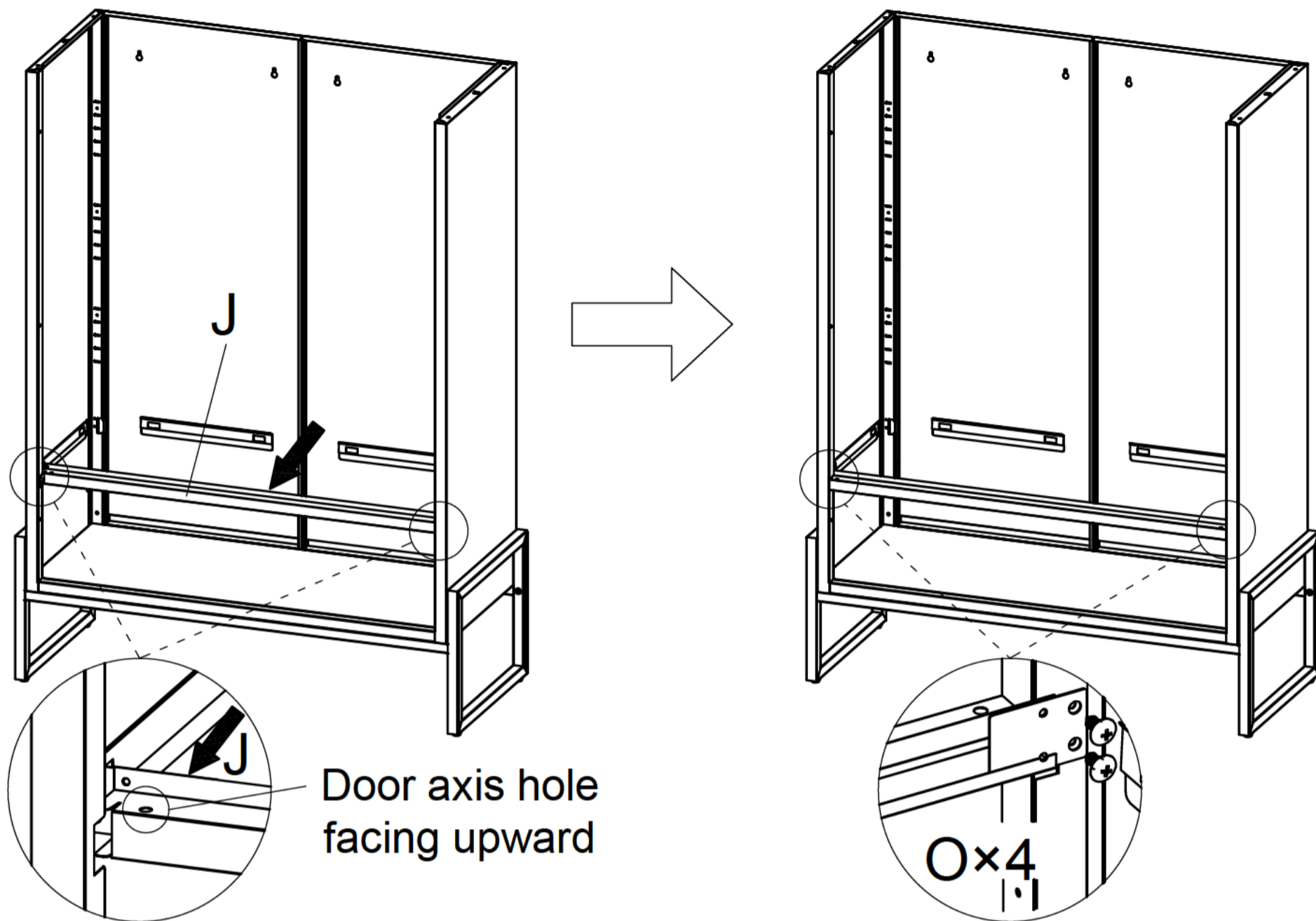
6. Install K and L, secure with screw O



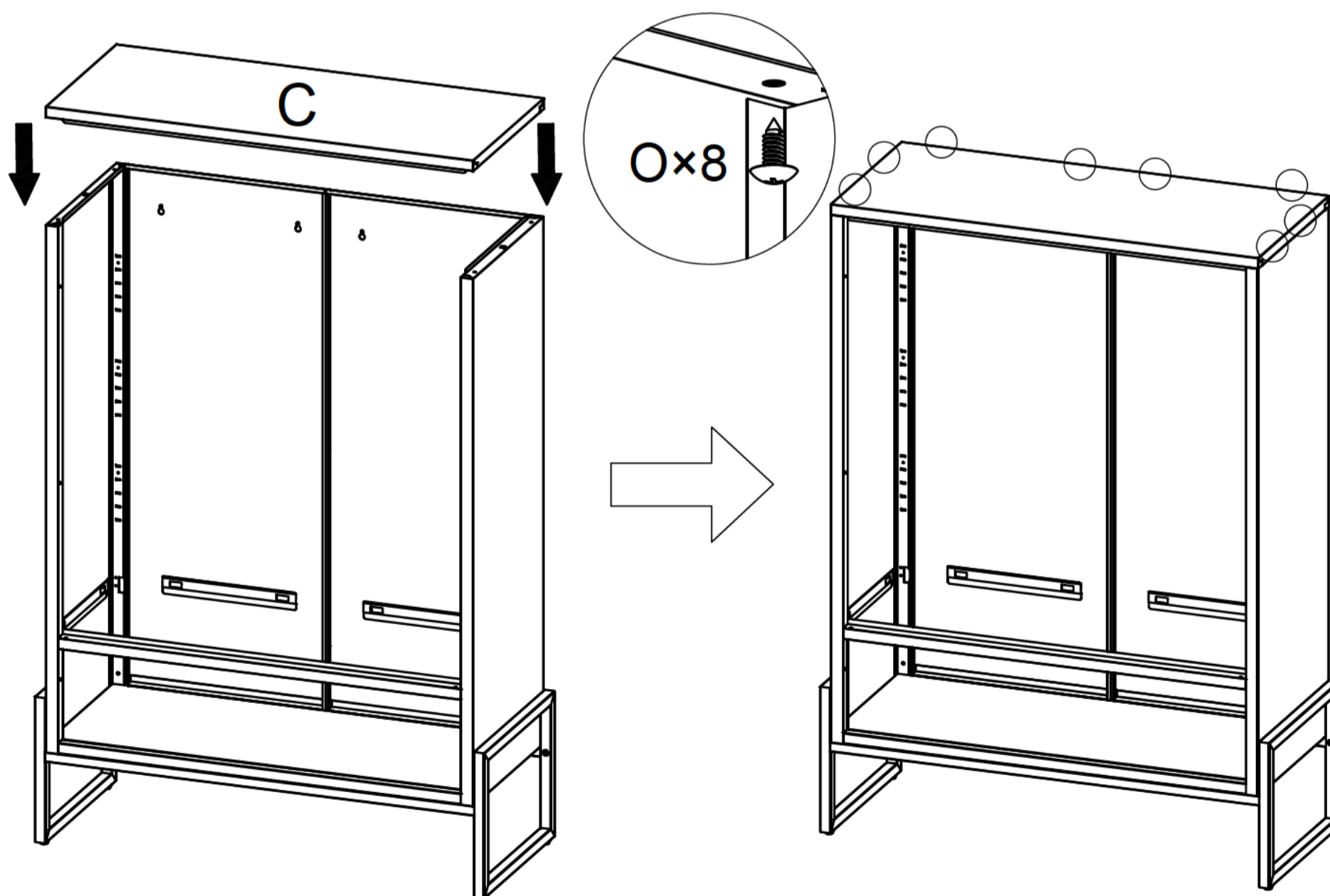
7.Install U



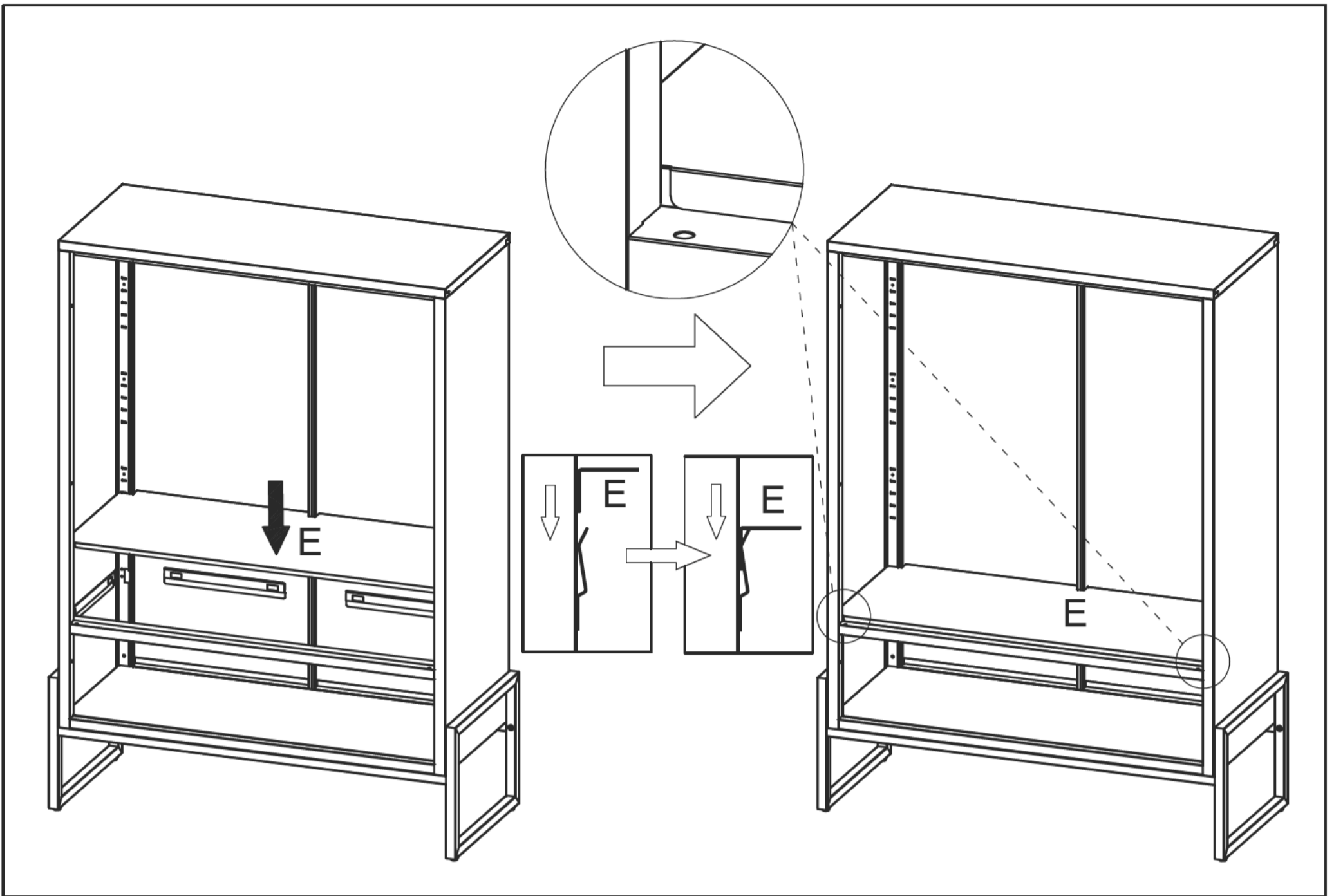
8.Install K and L, secure with screw O



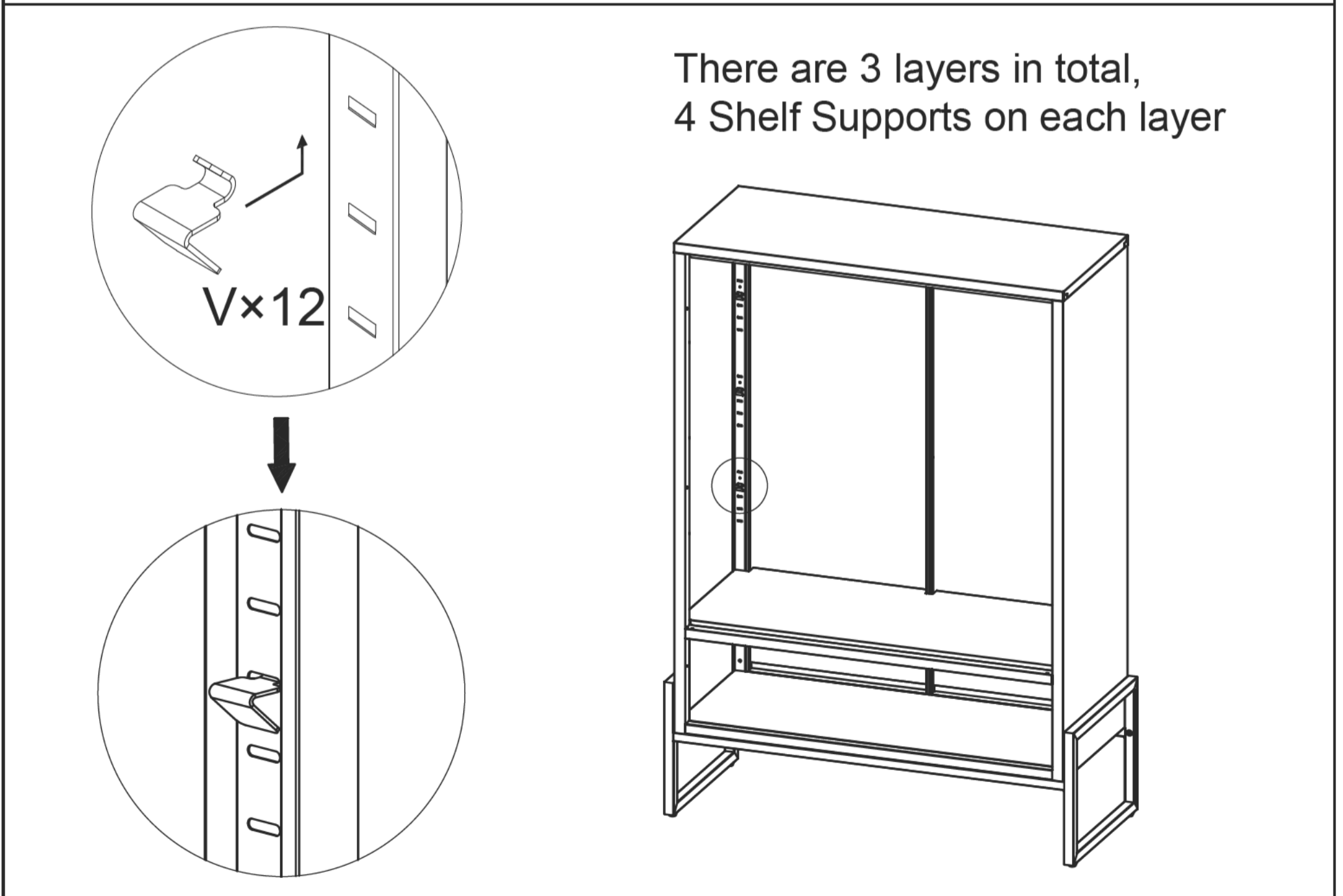
9. Install J, secure with screw O



10. Install C, secure with screw O

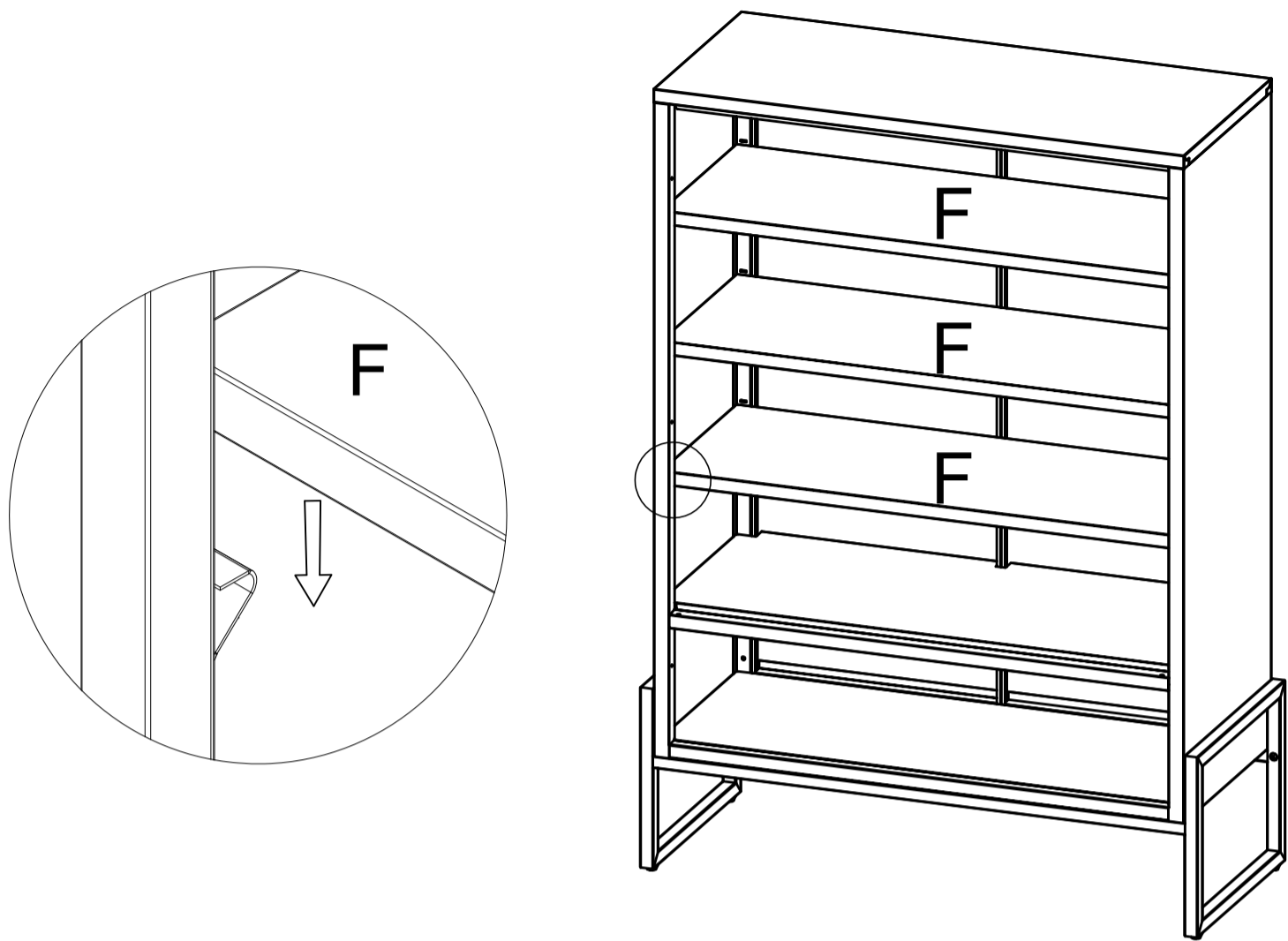


11. Install E

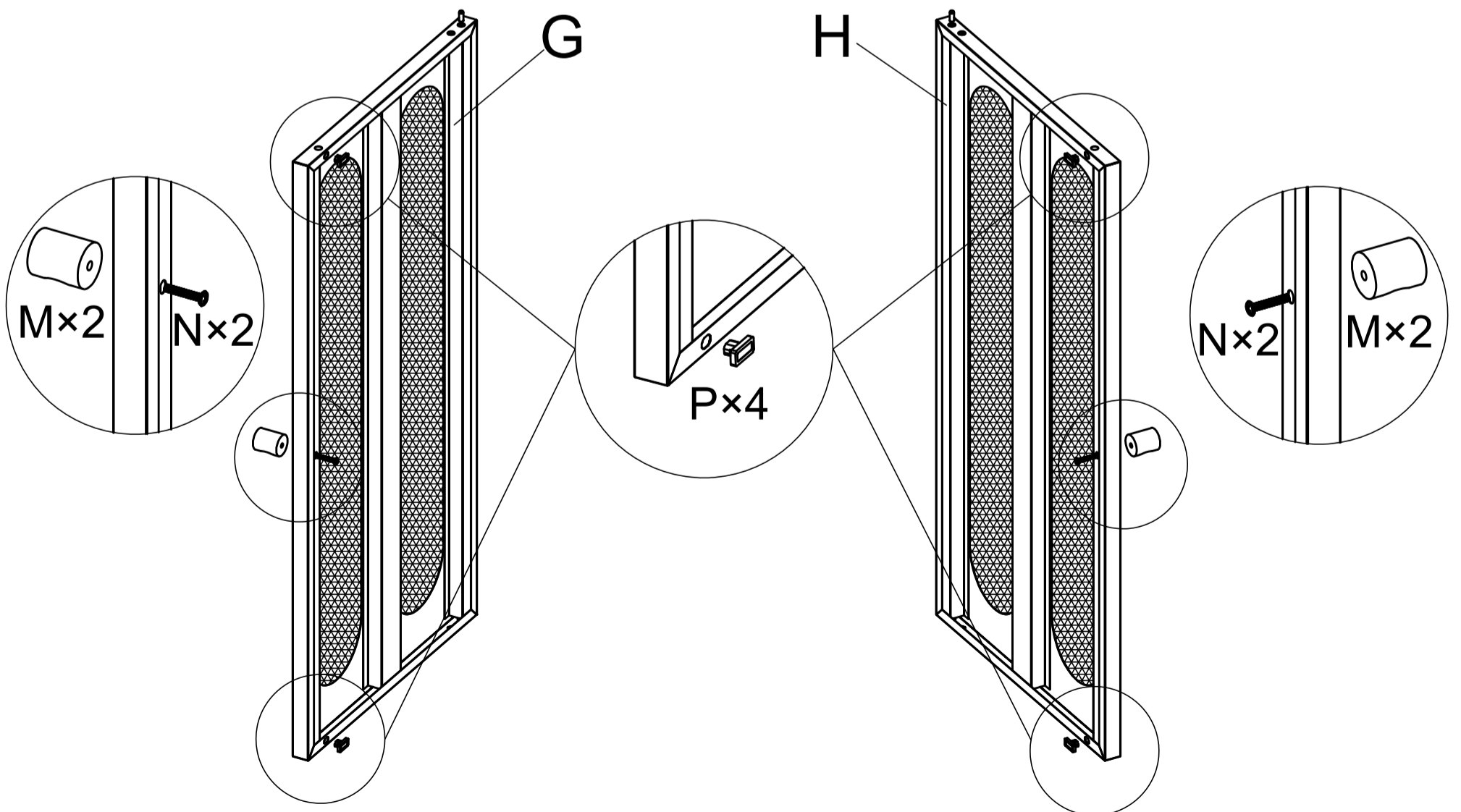


There are 3 layers in total,
4 Shelf Supports on each layer

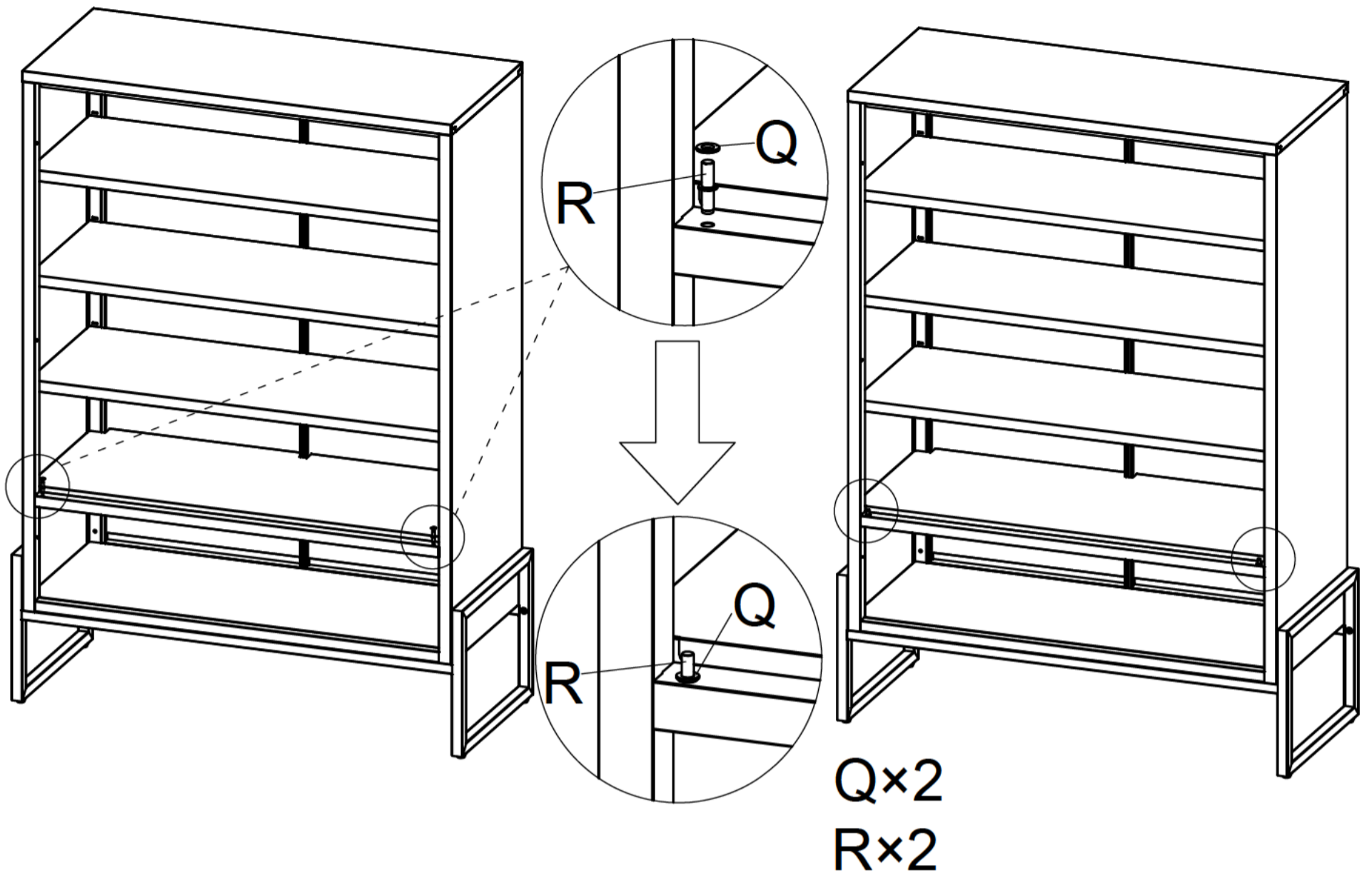
12. Install V



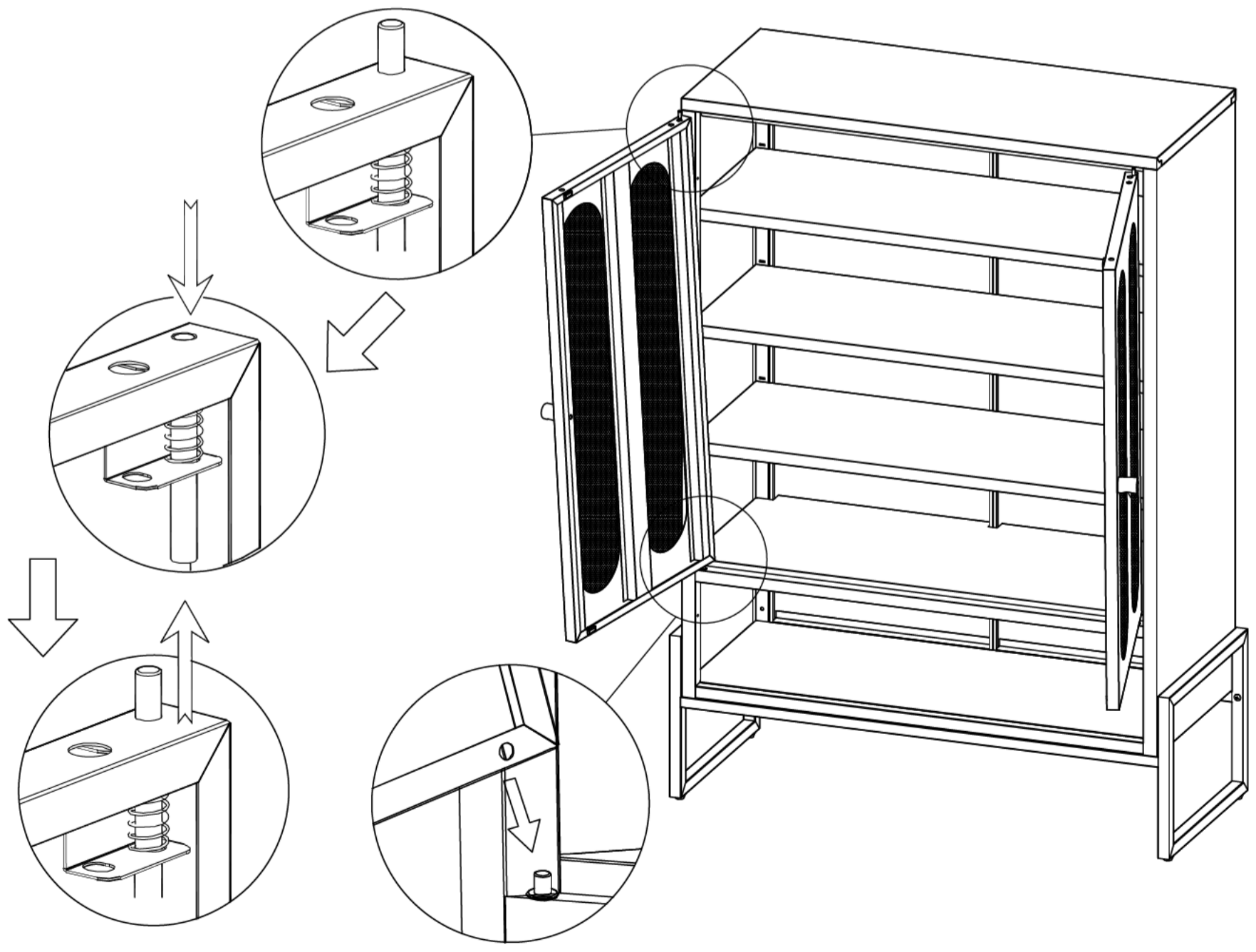
13. Install F



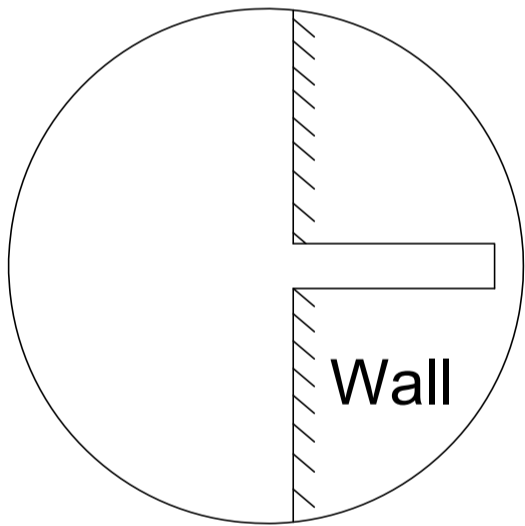
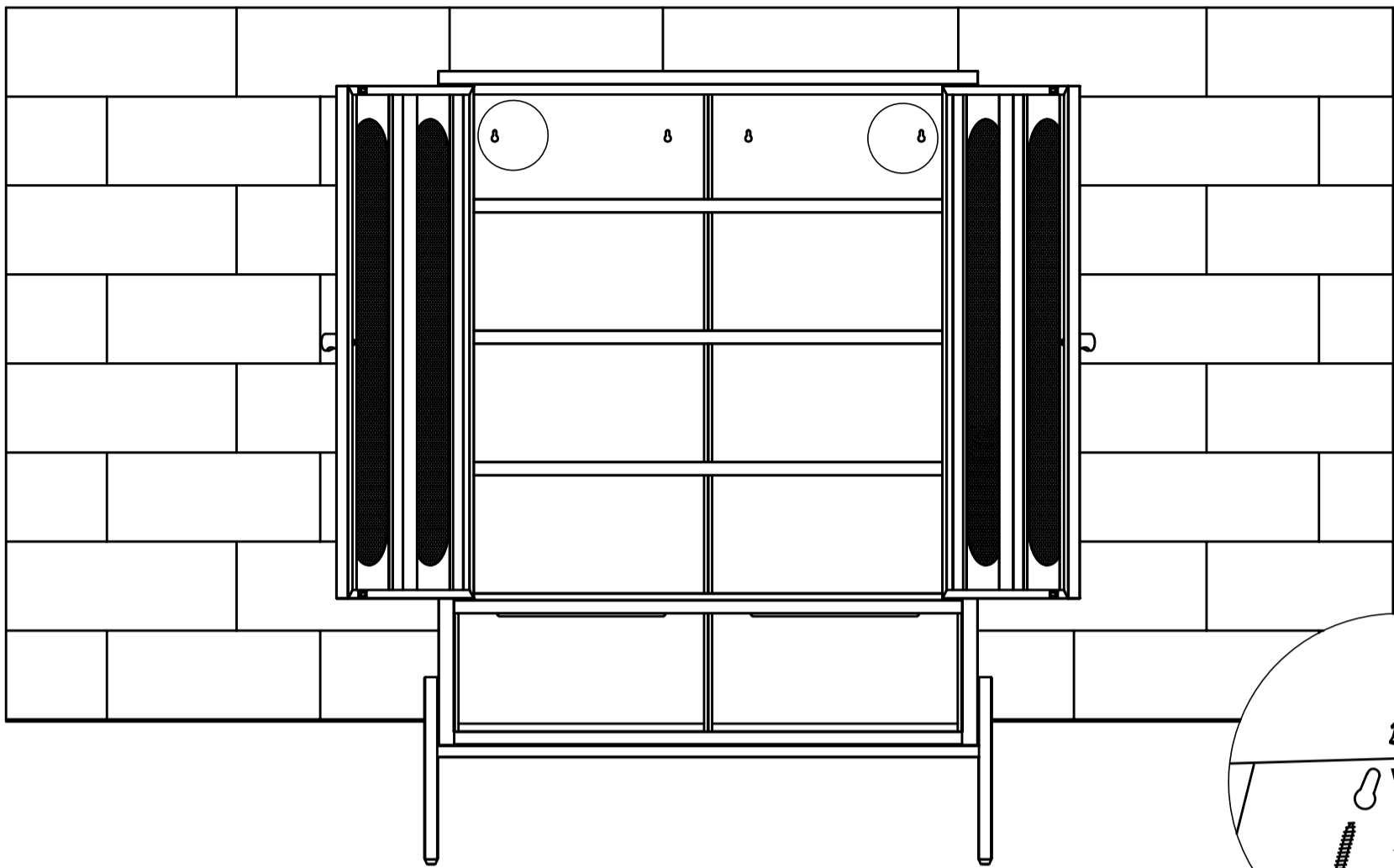
14. Install M, N and P



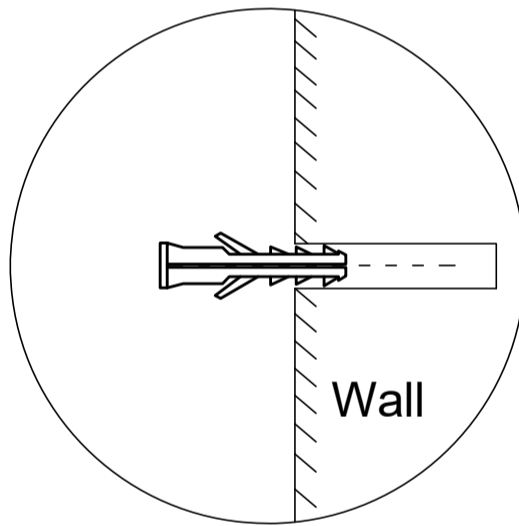
15. Install Q and R



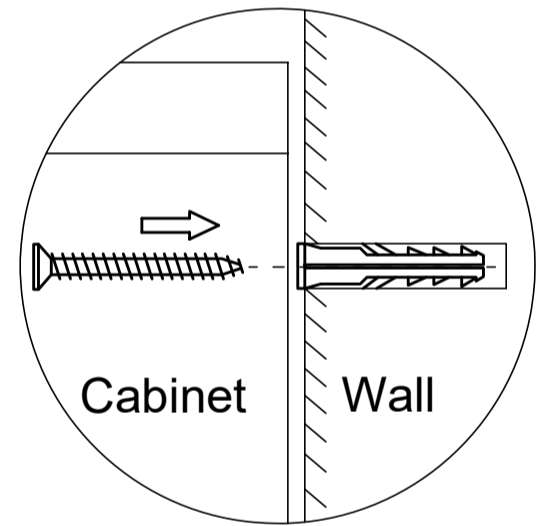
16. Install G and H



1



2



3

- 1. Drill holes in the corresponding positions on the wall**
- 2. Install W in the hole**
- 3. Install X, fasten the cabinet to the wall**

17. Install W and X