

Assembly Instructions



Assembly Instructions

INSTALLATION GUIDE

ONE PERSON ASSEMBLY: 20 MINUTES (APPROXIMATE)

TOOLS REQUIRED: ALLEN WRENCH (PROVIDED)

BEFORE ASSEMBLY

1. Remove all packaging materials, staples and packing straps from the carton.
2. Confirm with Parts Checklist in Page 3.

ATTENTION

1. Leave sufficient room for assembly.
2. Do not assemble on the ground that may hurt the product.
3. Do not over-tighten any fittings as it may cause damage.
4. **DO NOT USE POWER TOOLS TO ASSEMBLE THIS PRODUCT.**
5. Do not sit or stand on it before the assembly is complete.

DAILY MAINTENANCE

1. Recommended for indoor use only.
2. Wipe with a soft, dry cloth. Keep away from abrasives and household cleaners.
3. Check all the fittings periodically and re-tighten if necessary. Do not use the product if any part is damaged or broken.

Tall and Big Office Mesh Chair Warranty Policy

Tall and big office mesh chairs are warranted from the date of purchase due to material and workmanship factors. Details as follows:

- 1 YEAR on all unmovable metal parts;
- 1 YEAR on upholstered PU leather and foam;
- 1 YEAR on component parts including mechanism, gaslift, base and castors

To make a warranty claim, please contact us with model number, purchase proof, problem descriptions as well as pictures that shows the problem clearly.

Problem verified, We will:

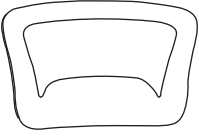
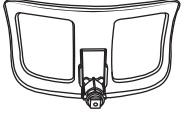

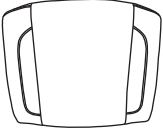
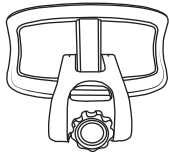
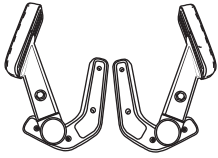
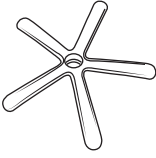
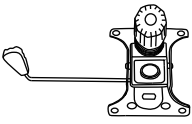

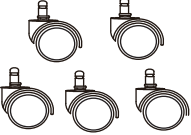
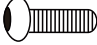
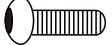
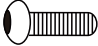
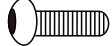
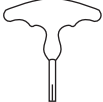



- a) Send replacement parts.
- b) Send a new product if necessary, customer need to return the original item to our warehouse.

RETURN POLICY

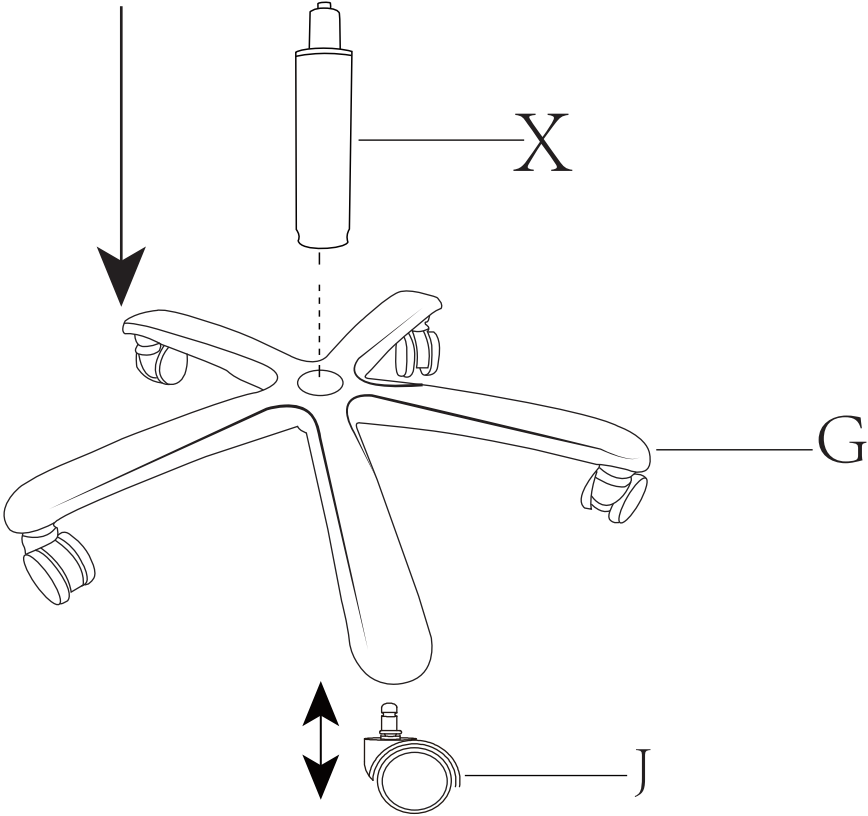
30 days return policy after receiving is provided. We offer prepaid return labels for product quality issues.

Note: Original Box has to be kept for the return until you decide to keep the item.

PARTS CHECK LIST

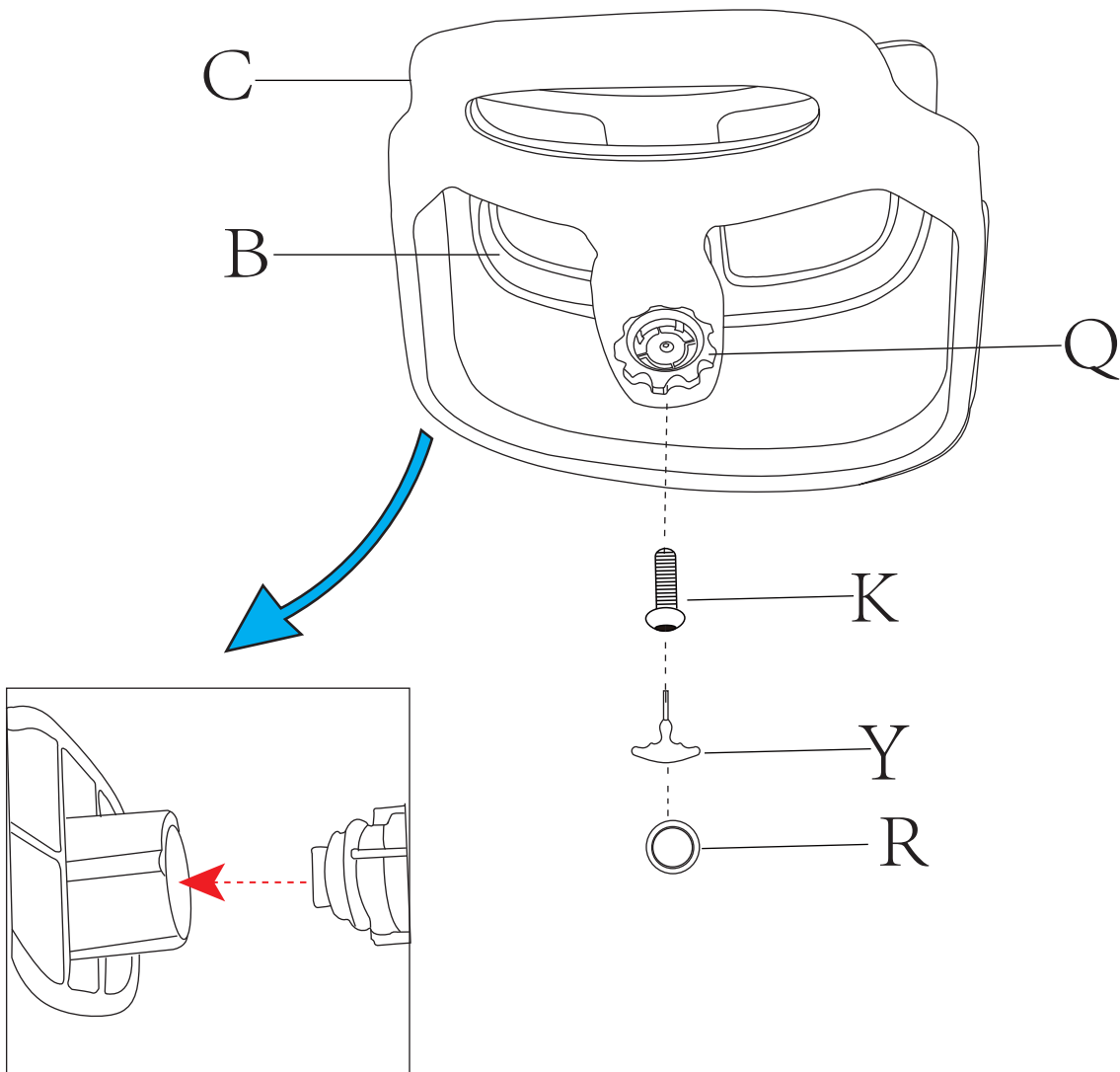
					
A*1	B*1	C*1	D*1	E*1	F*1
					
G*1	H*1	X*1	J*5	M6×20mm K*3	M6×25mm L*2
					
M8×20mm M*4	M8×25mm N*8	Y*1	P*8	Q*1	R*1

1

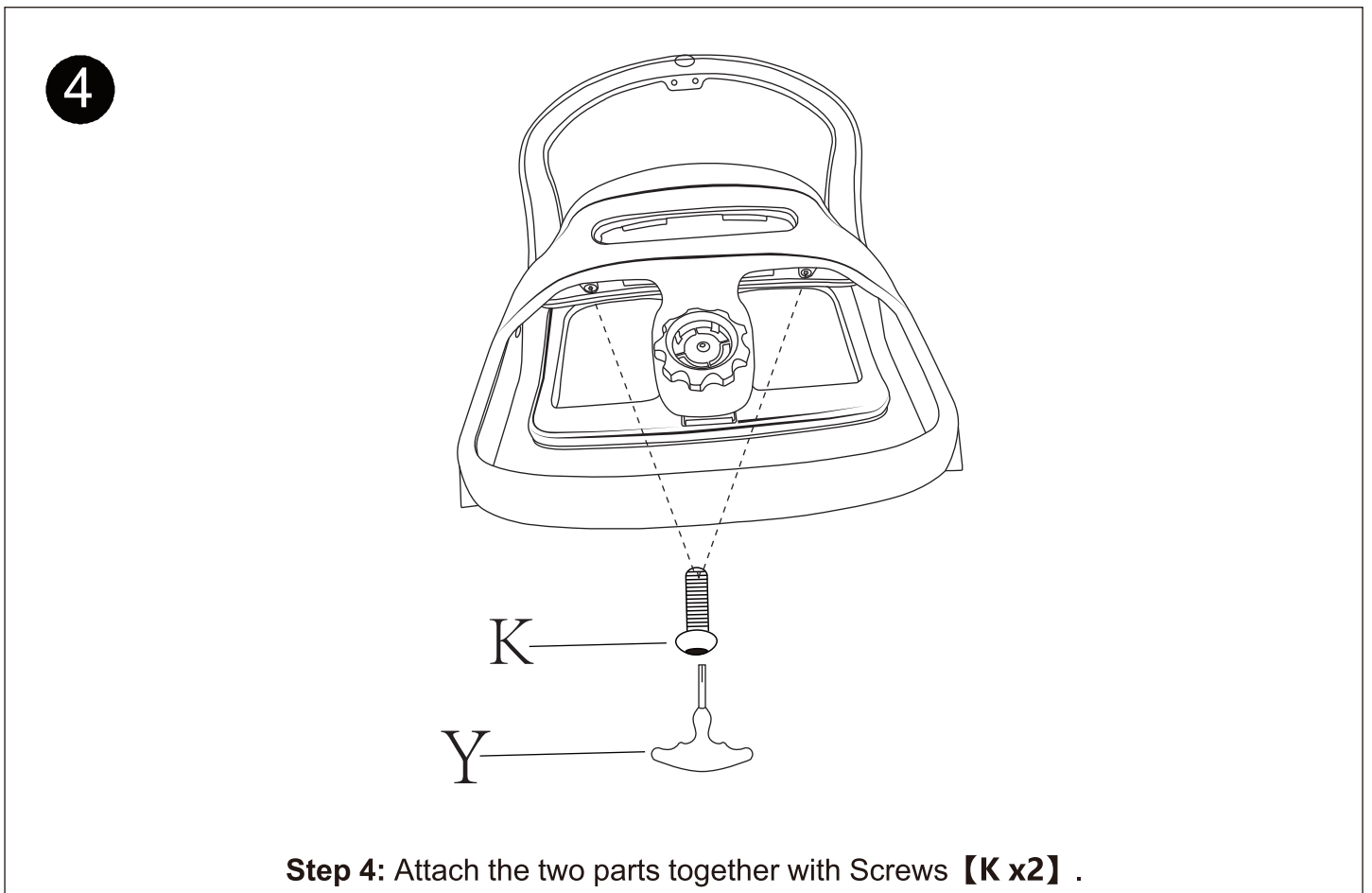
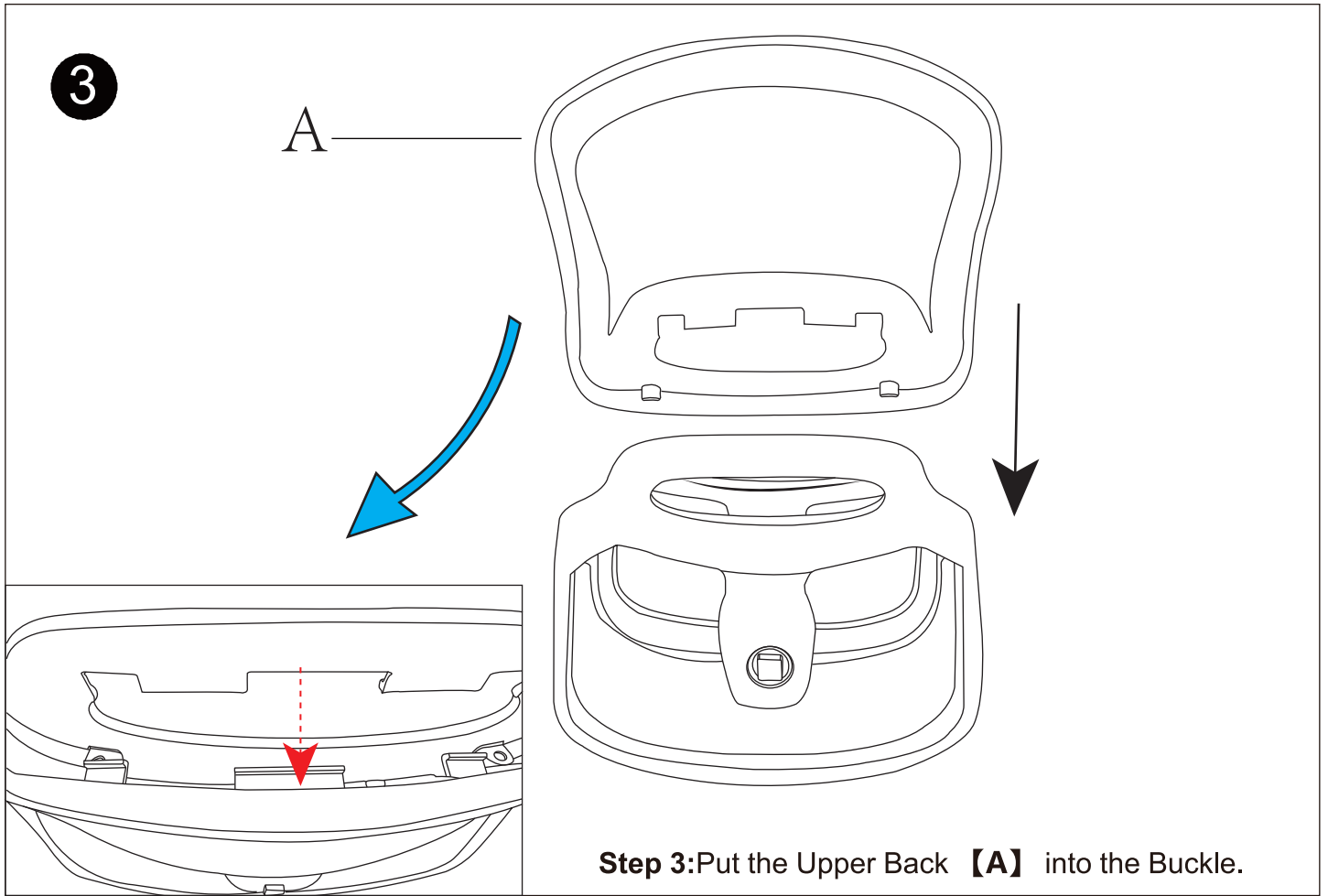


Step 1: Insert the Castors **[J]** into the Five Star Base **[G]** . This may take significant force. Insert the Gas Lift Cylinder **[X]** into the center of the base.

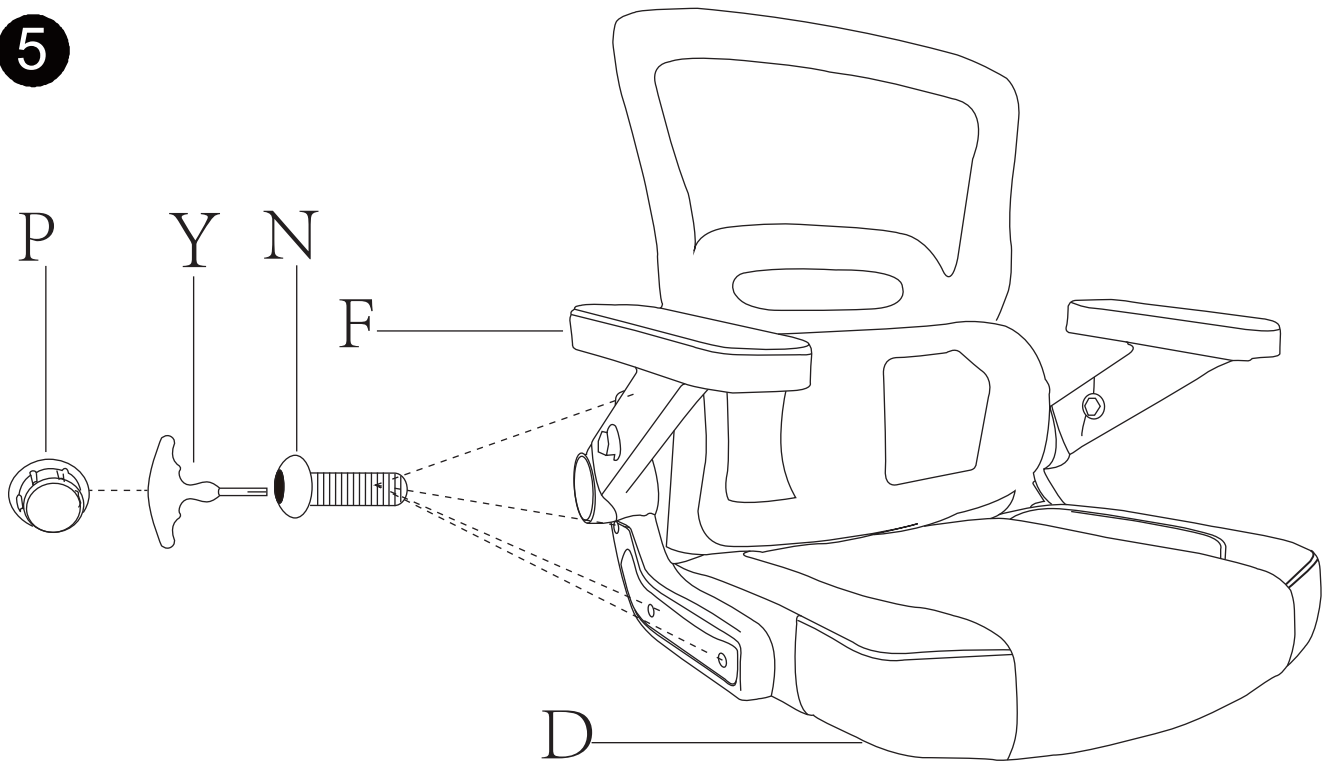
2



Step 2: Insert the Lumbar Support **【B】** into the Lower Back **【C】** .
Assemble the Knobs **【Q】** with the Chair Back via Screws **【K】** .
Tighten the screws with Allen Wrench **【Y】** and then install the Cover **【R】** .



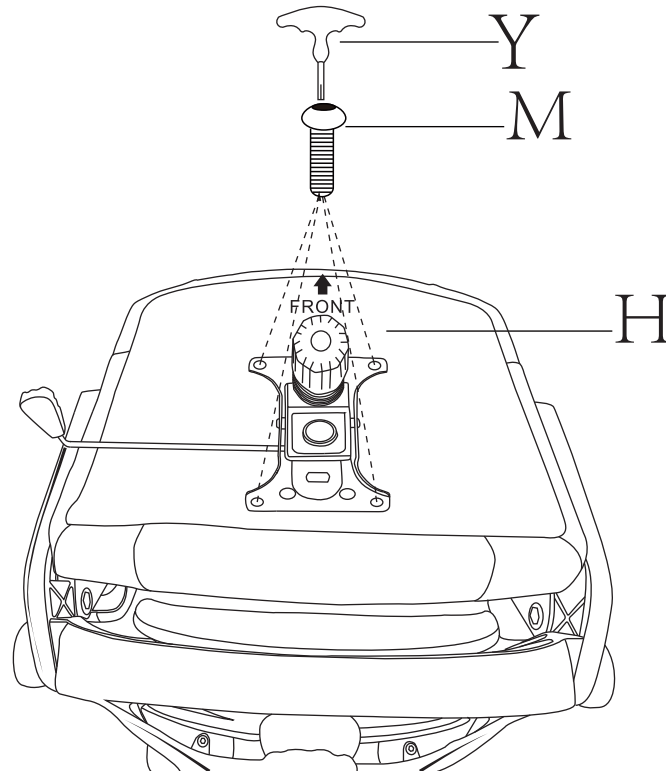
5



Step 5: Assemble the Armrests **[F]** with the Chair Seat **[D]** and Chair Back via Screws **[Nx8]** .Fill the armrest holes with Cap Covers **[Px8]** .

Note: Tighten all of the Screws completely with Allen Wrench **[Y]** .

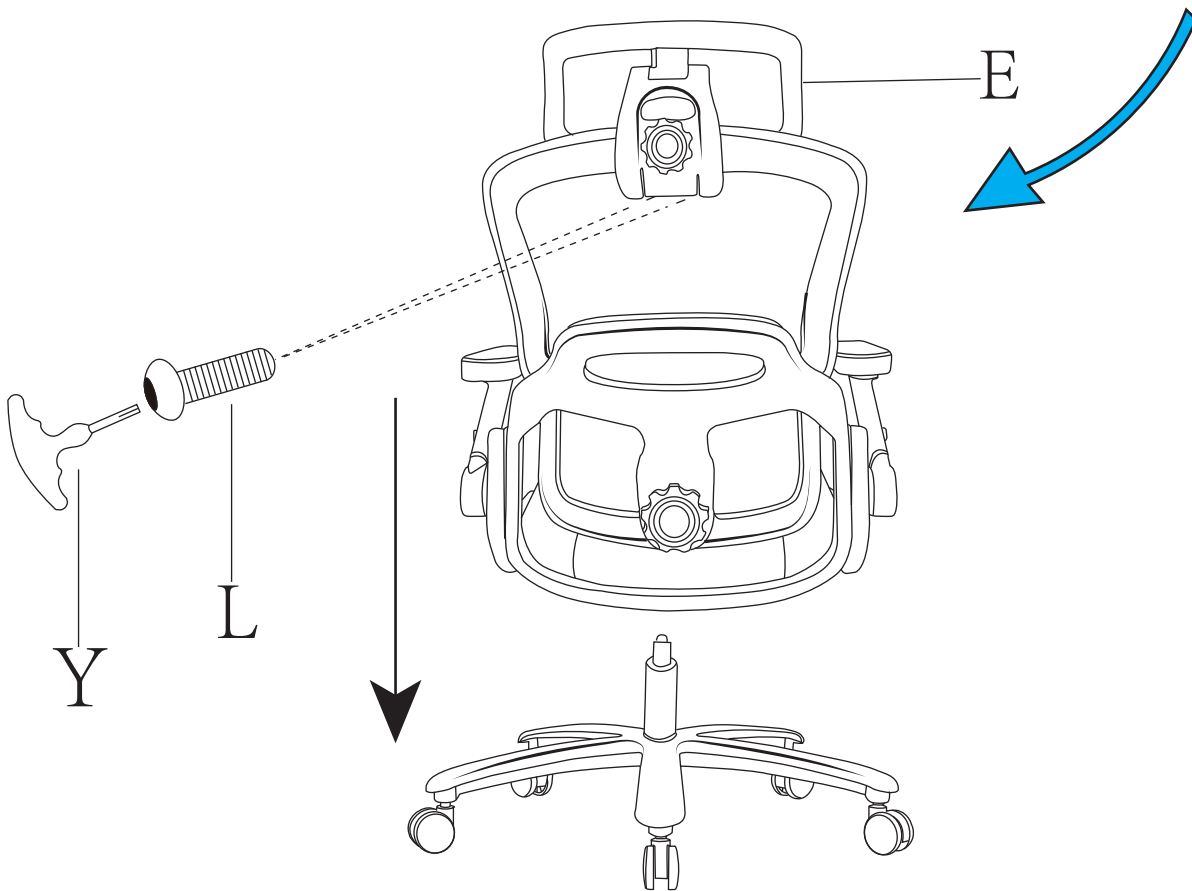
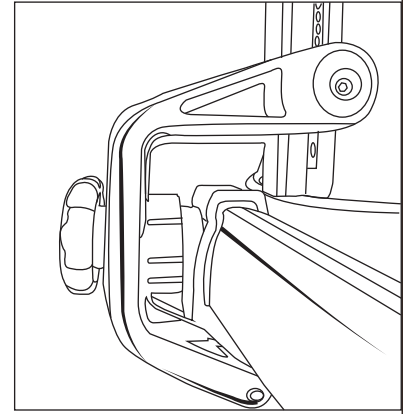
6



Step 6: Assemble the Tilt Mechanism **[H]** with Seat **[D]** via Screws **[Mx4]** . Make sure the tilt **Front** align with the seat **Front**.

Turn the screws and finish with Allen Wrench **[Y]** .

7



Step 7: Attach the assembled seat to the assembled base by aligning the hole in the tilt mechanism to the top of the gas cylinder.

Note: Press the seat firmly.

Assemble the Headrest **[E]** with chair Back via Screws **[Lx2]** .

8



Step 8: Enjoy Your New Chair!