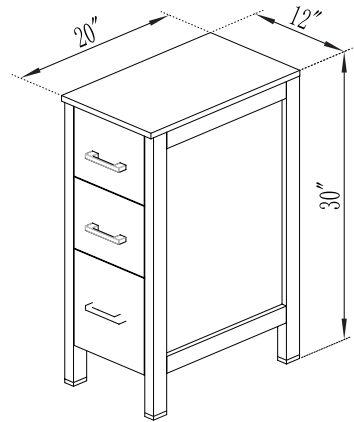
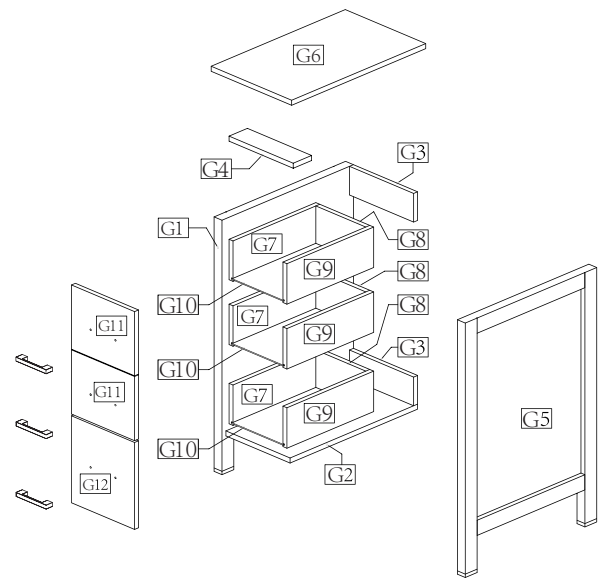


DIMENSIONS

Unit:inch



ASSEMBLY DIAGRAM

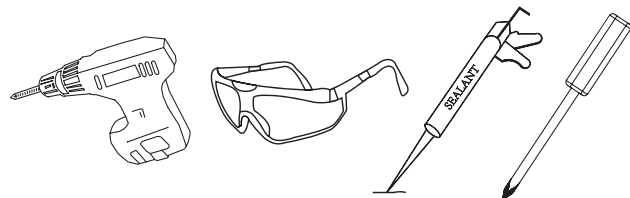


PARTS LIST

PARTS LIST			HARDWARE LIST		
NO.	DESCRIPTION	QTY	NO.	DESCRIPTION	QTY
G1		1	A	CAM LOCK	46
G2		1	B	CAM SCREW	46
G3		2	C	CAM LOCK COVER	58
G4		1	D	WOODEN DOWEL	4
G5		1	E		6
G6		1	F	SCREW	36
G7		3	G	HANDLE	3
G8		3	H	HASCREW (4x20mm)	6
G9		3			
G10		3			
G11		2			
G12		1			

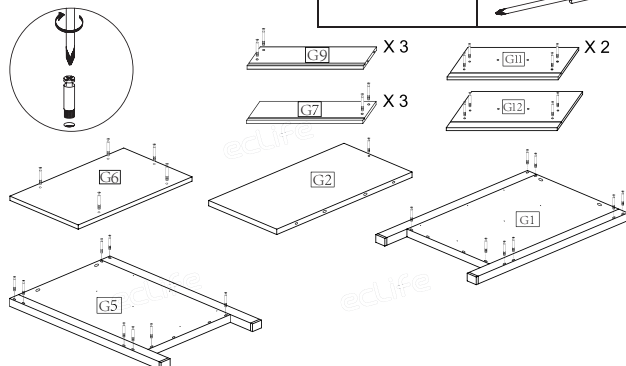
CAUTION: Please confirm the parts list before installation

YOU MAY NEED (NOT SUPPLIED)



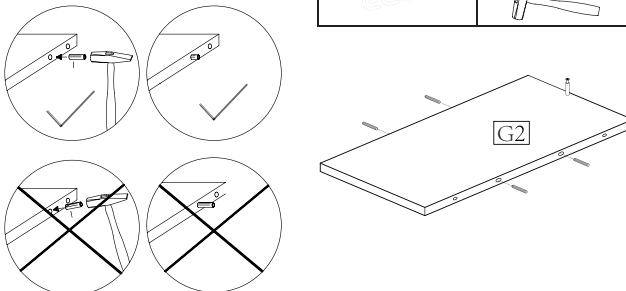
INSTALLATIONS

STEP 1



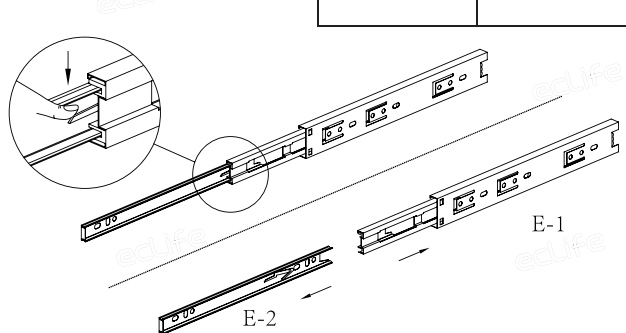
● Insert the cam screw into the shelves above.

STEP 2



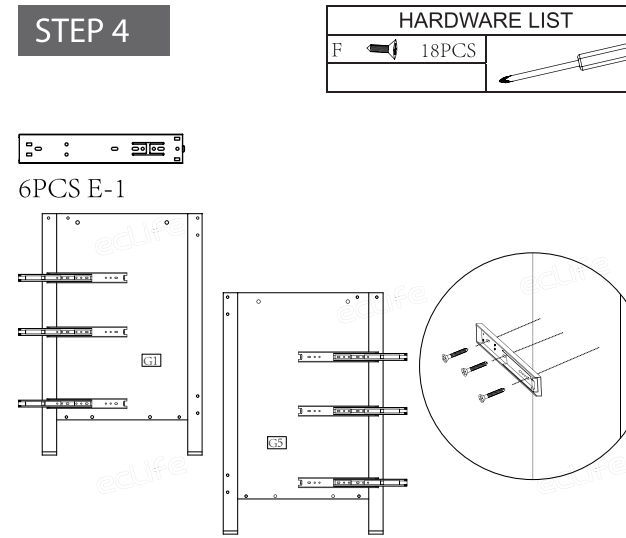
● Insert the wooden dowel pins into the shelves.

STEP 3



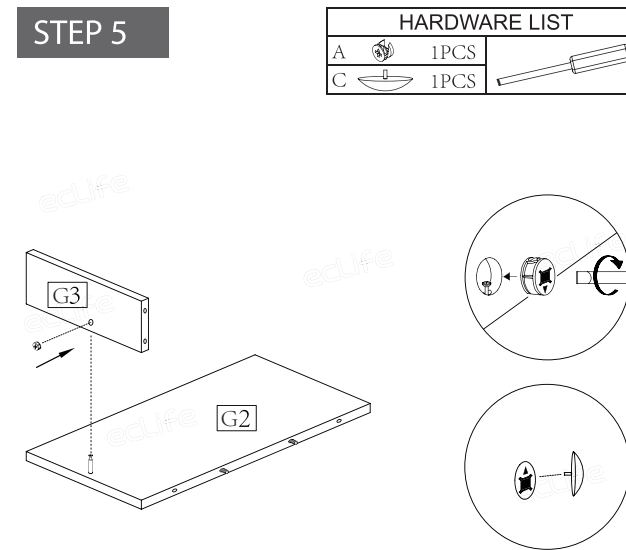
● This cabinet can easily fit normal bathroom humidity. For maximum service life, please keep this vanity dry and decrease bathroom humidity by ventilating the room.

STEP 4



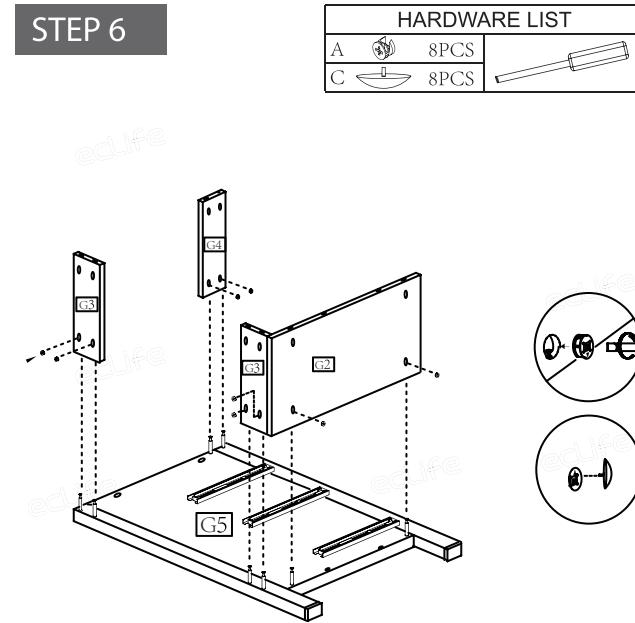
● To maintain the cabinet door clean and normal use, please wipe the door with a soft towel regularly. Keep the cabinet away from fire, flames and high temperature stuff.

STEP 5



● insert shelves G2 and G3 downwards to their corresponding positions. then tighten the cam lock with the cover.

STEP 6



STEP 7

