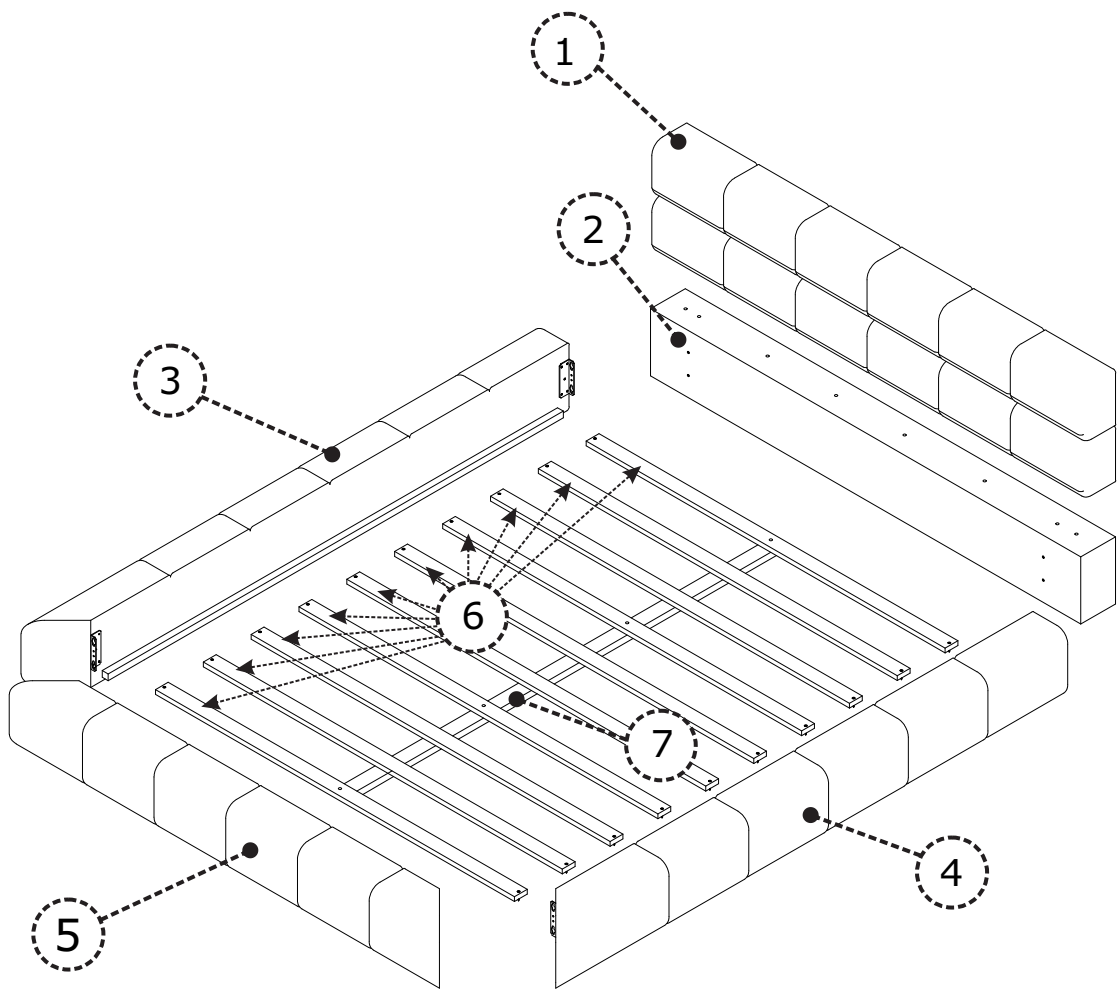


# ASSEMBLY INSTRUCTIONS

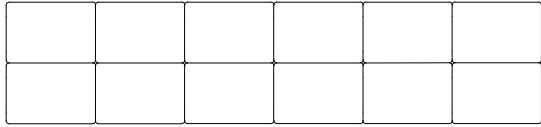


# PARTS

Check that you've received  
all parts listed below.

## BOX 1/2

1



(1 pc)

2



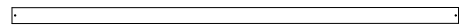
(1 pc)

5



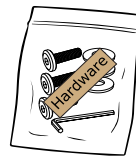
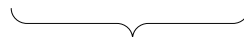
(1 pc)

6



(10 pcs)

Hardware



## BOX 2/2

3



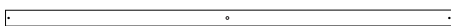
(1 pc)

4



(1 pc)

7



(1 pc)

# HARDWARE

Check that you've received  
all hardware listed below.

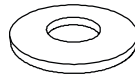
**A**



Ø 5/16" x 38 mm

10 pcs

**B**



Ø 19 x 1.5 mm

16 pcs

**C**



Ø 13 x 1 mm

16 pcs

**D**



80 x 30 x 4 mm

1 pc

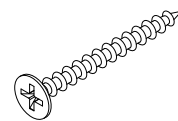
**E**



Ø 5/16" x 45 mm

6 pcs

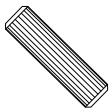
**F**



Ø 4 x 30 mm

20 pcs

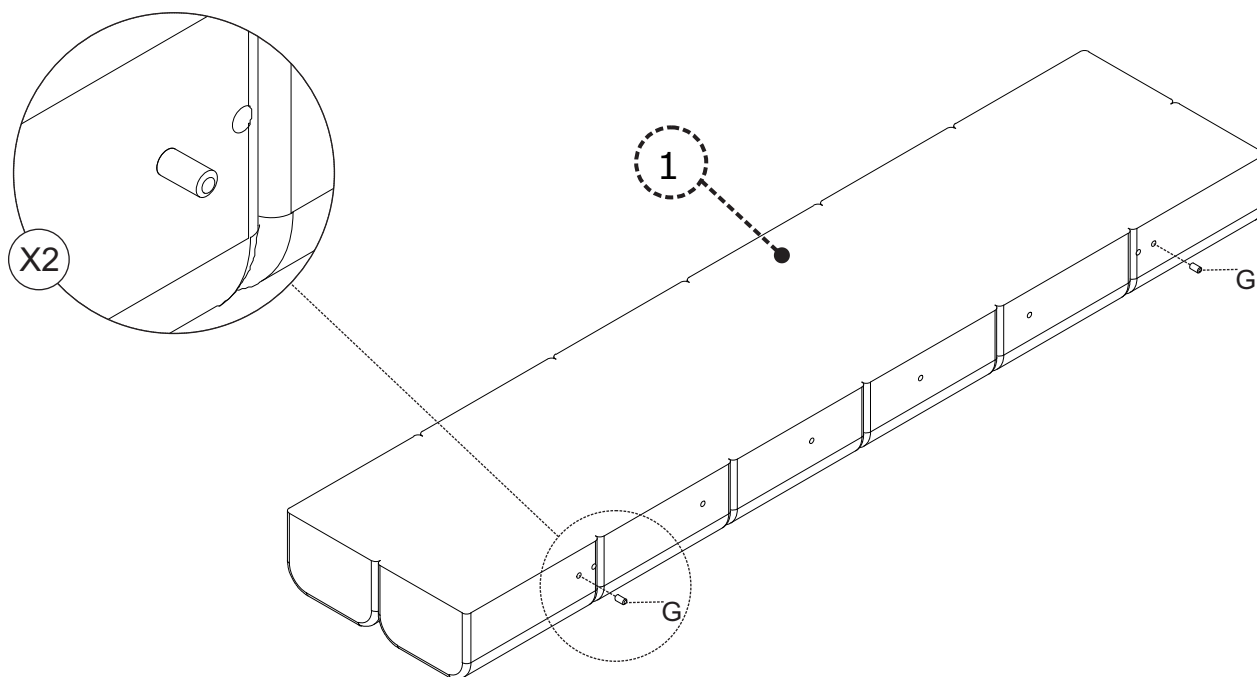
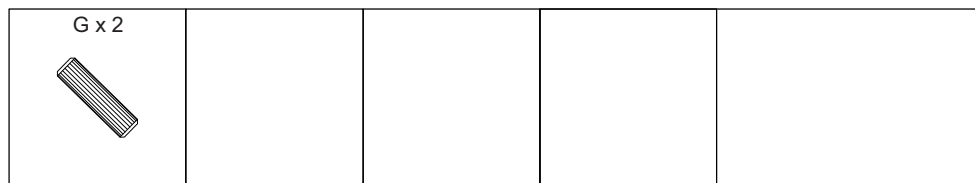
**G**







Ø 10 x 25 mm

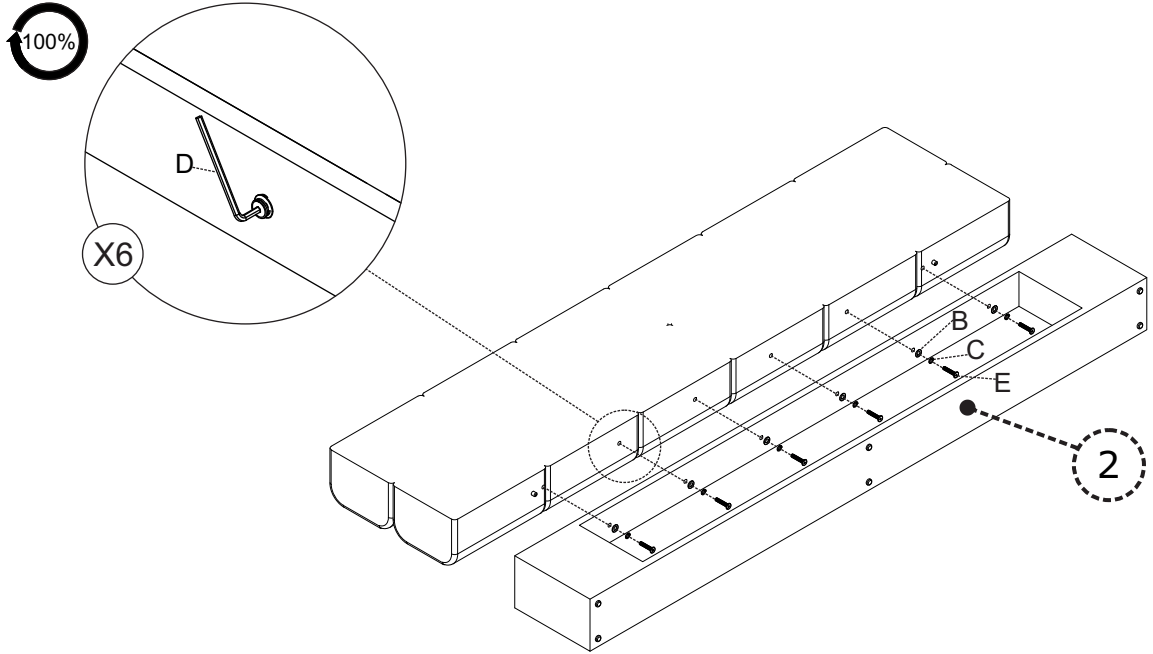
2 pcs

# STEP 1







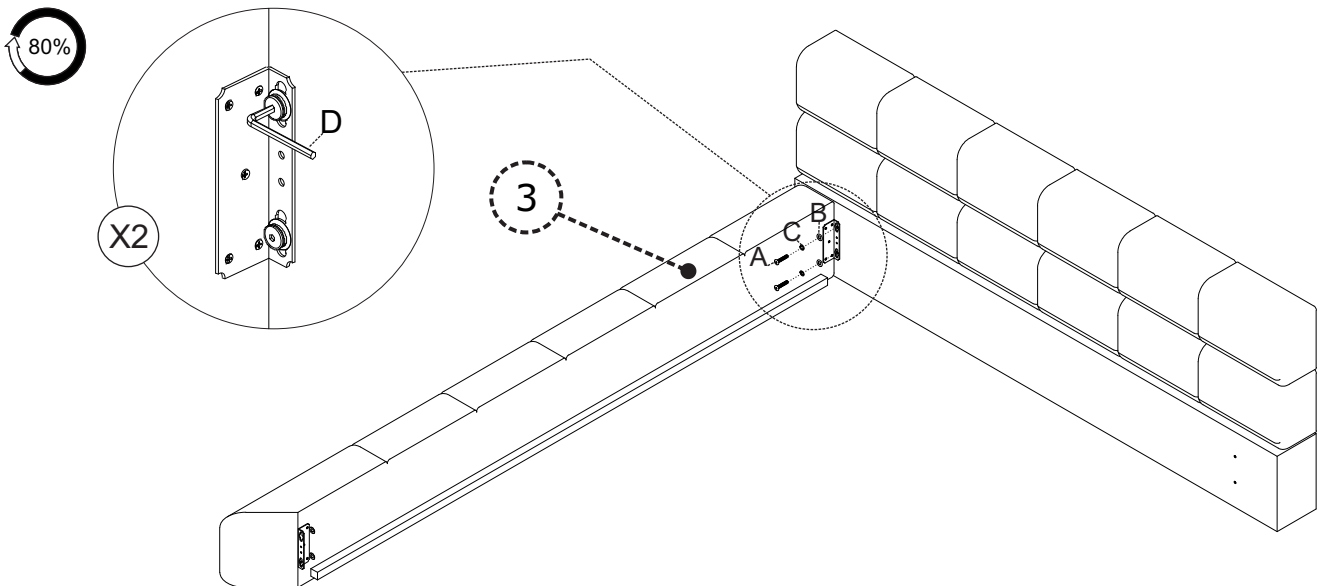
# STEP 2

E x 6 	B x 6 	C x 6 	D x 1 	
--	--	--	--	--

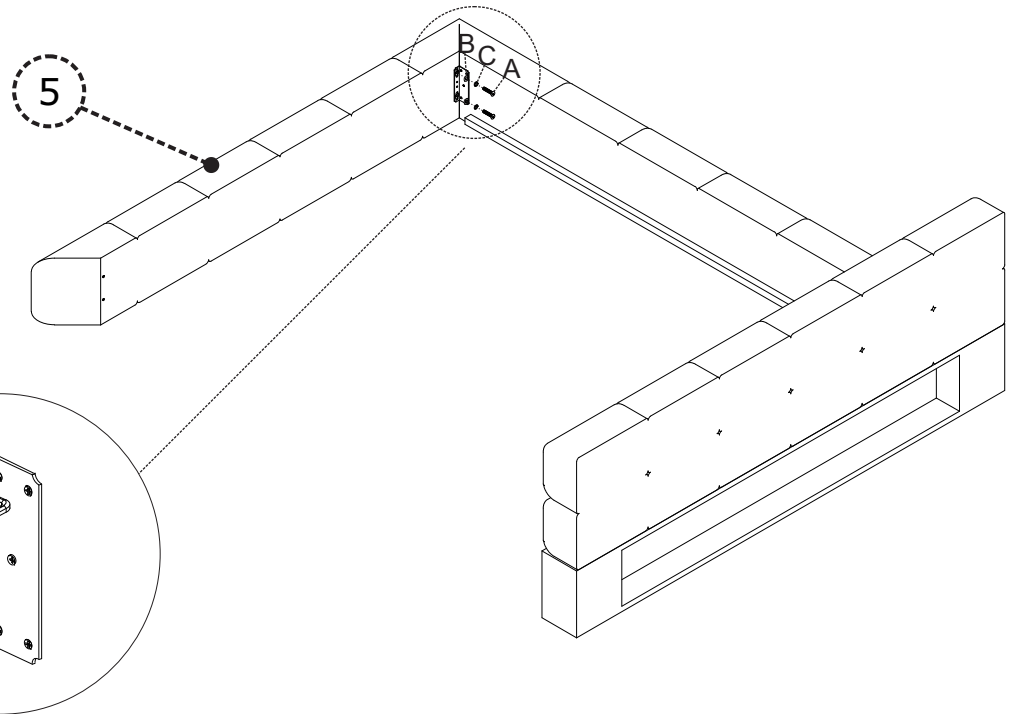
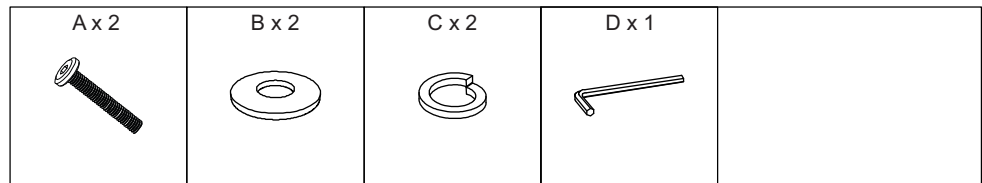


# STEP 3

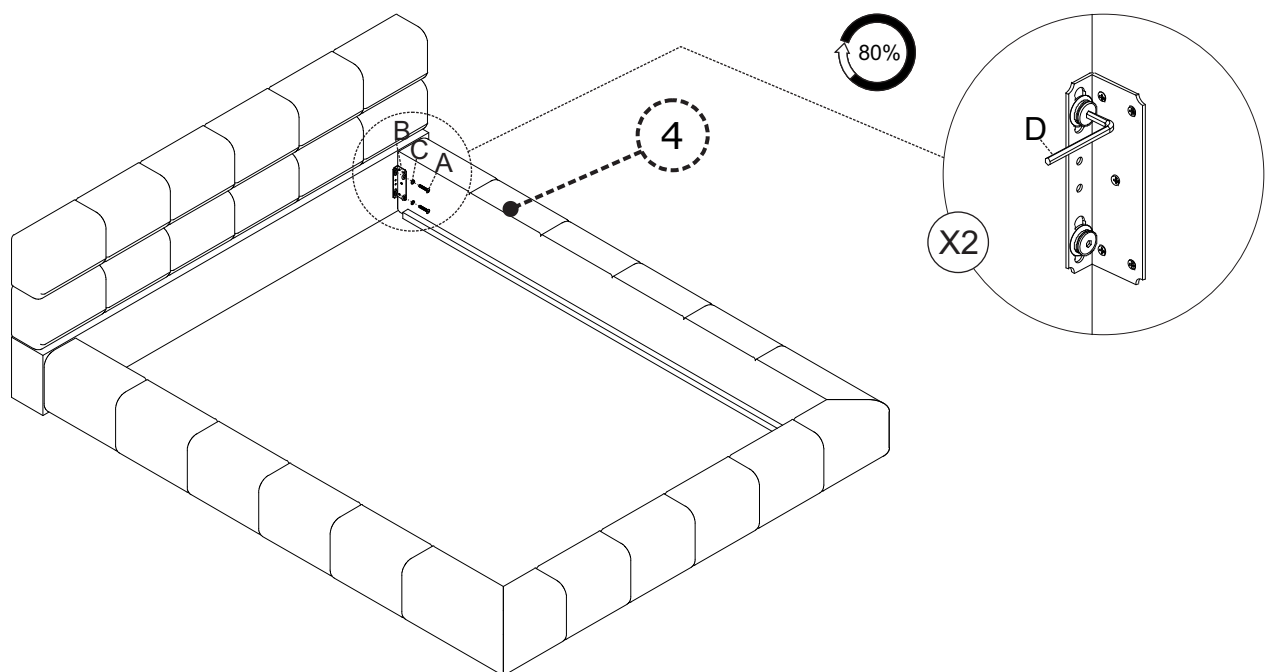
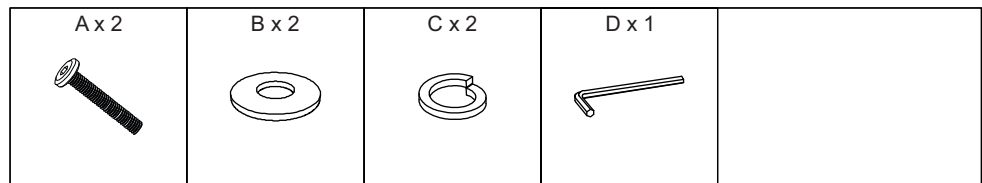
A x 2 	B x 2 	C x 2 	D x 1 	
--	--	--	--	--







# STEP 4

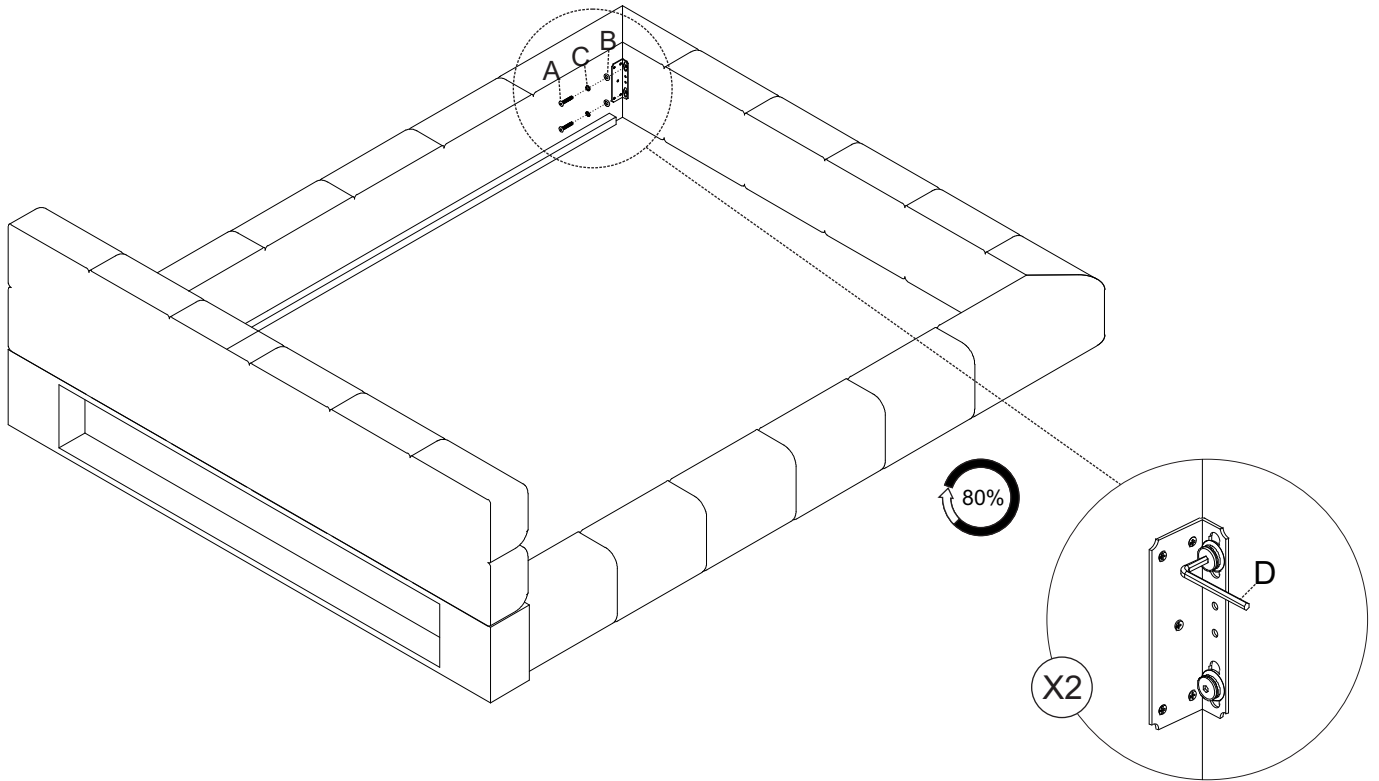


# STEP 5




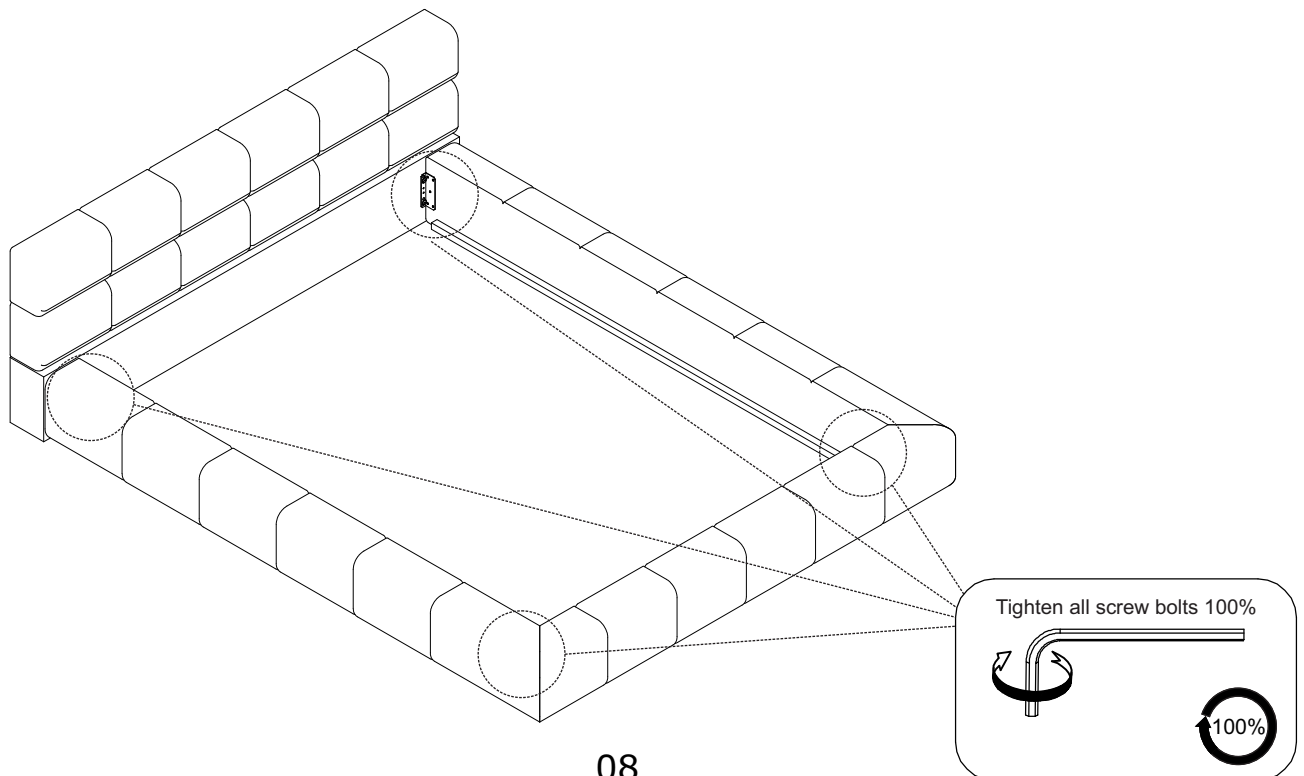
# STEP 6

A x 2 	B x 2 	C x 2 	D x 1 	
--	--	--	--	--

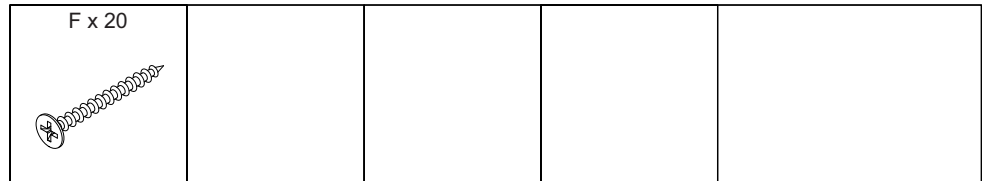


# STEP 7

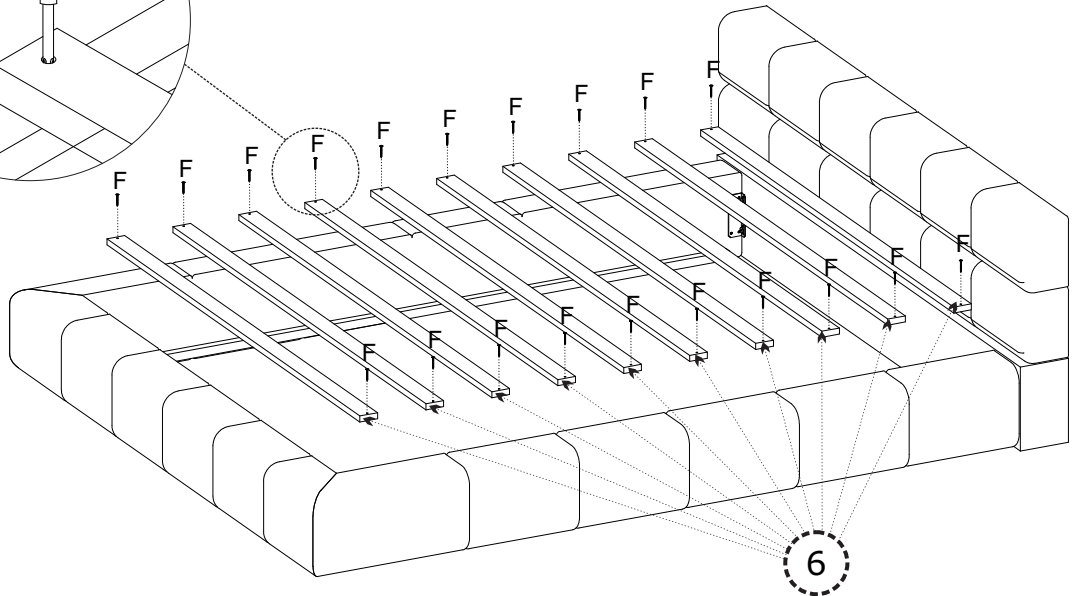
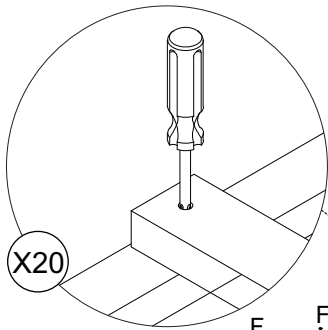
D x 1 				
--	--	--	--	--



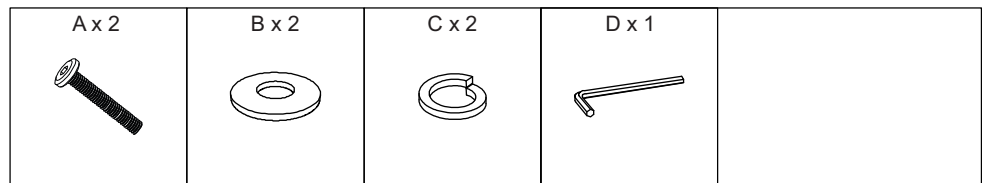
# STEP 8



100%



# STEP 9



100%

