

Table - Slot ASSEMBLY INSTRUCTIONS

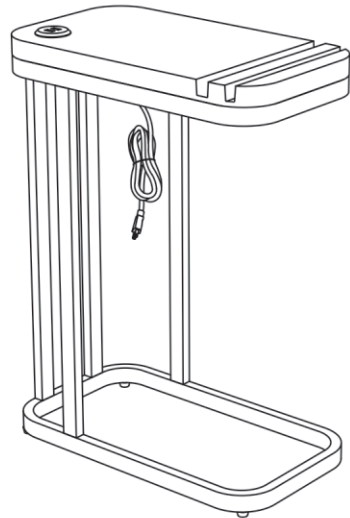


FIG. 1

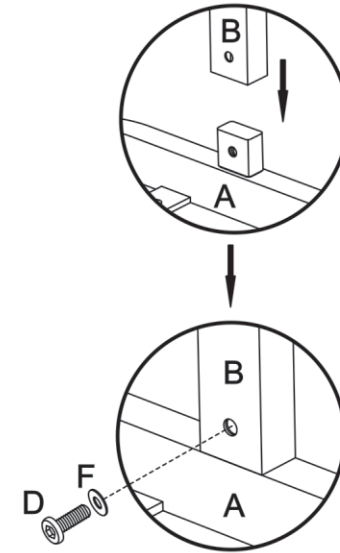
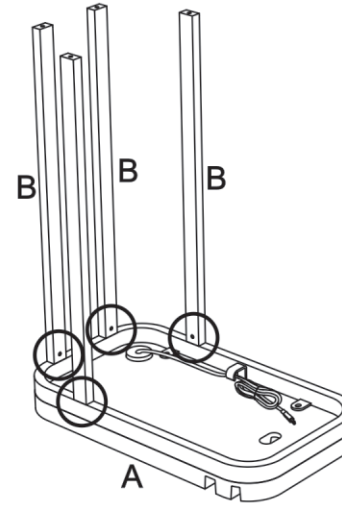
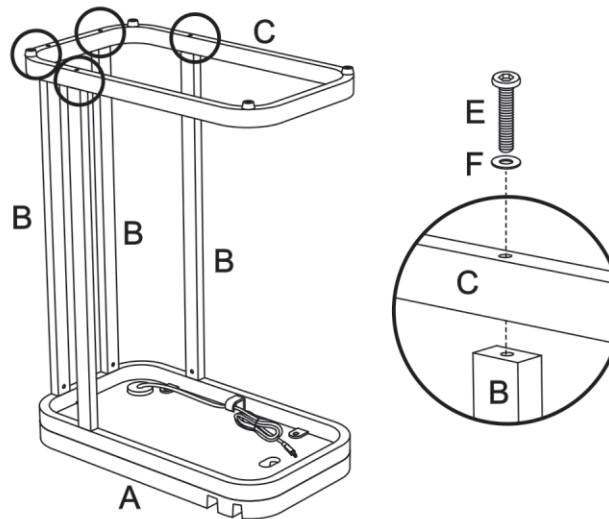









FIG. 2



PARTS LIST		
NO.	DESCRIPTION	QTY
A		1
B		4
C		1
D	 1/4"x16mm	4
E	 1/4"x35mm	4
F		8
G		1

- Intended for indoor use only.
- Do not sit or stand on the table.
- We recommend that you save the Allen Wrench and periodically tighten all bolts.
- Remove and destroy plastic bags. Keep out of reach of children.
- One-year limited warranty