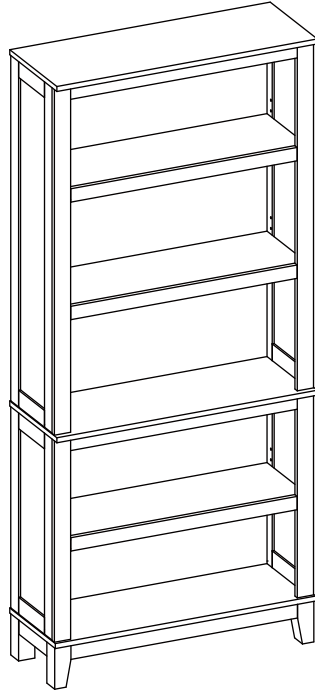


Assembly Instruction





**THIS INSTRUCTION BOOKLET CONTAINS IMPORTANT SAFETY INFORMATION.
PLEASE READ AND KEEP FOR FUTURE REFERENCE.**

Thank you for purchase on our products. Please contact us if you have difficulty with assembly or need replacement parts. Our customer service is here to assist you. Please attach your User Name or Order ID so that we can assist you better.

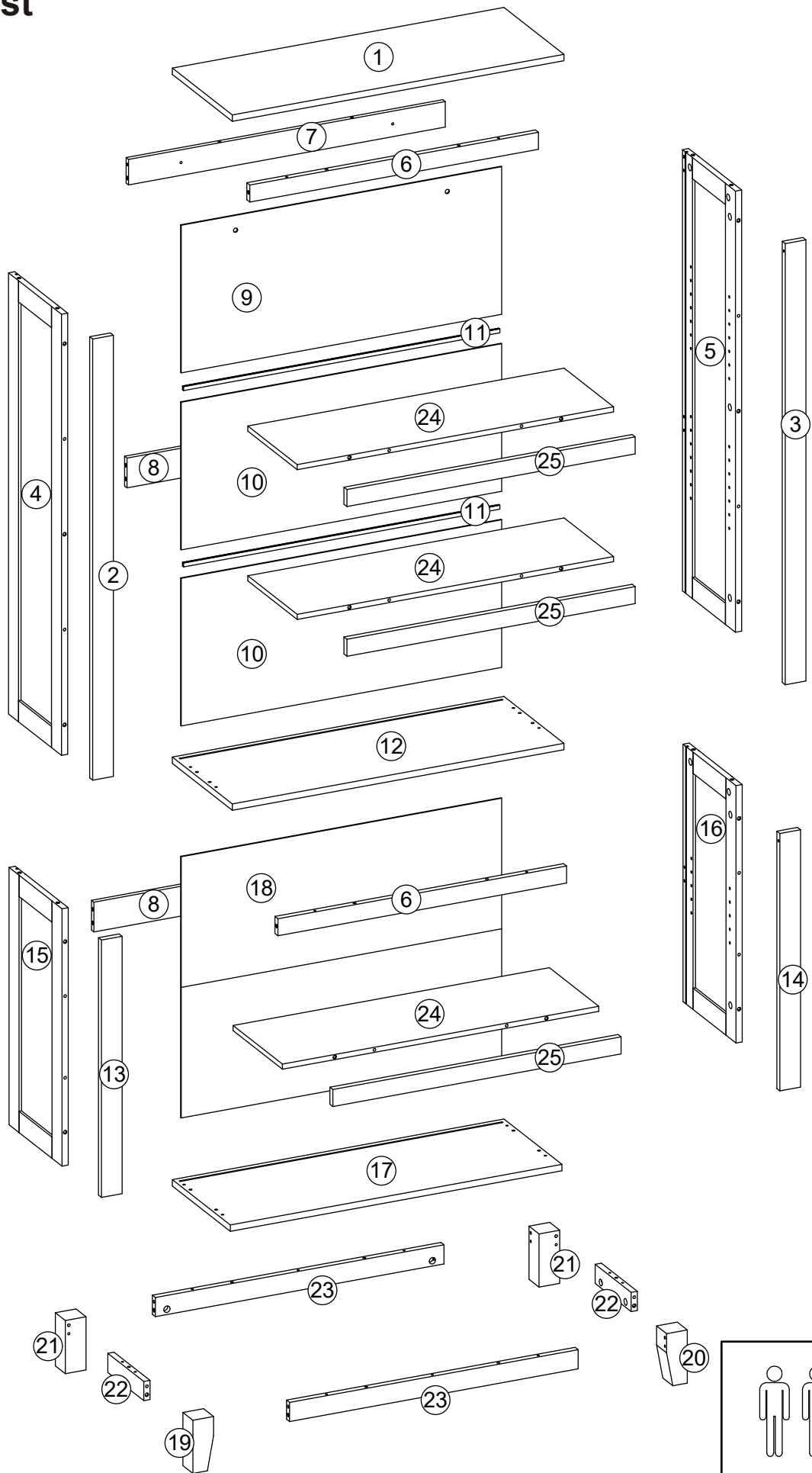
WARNING

Serious or fatal injury may occur from unexpected assembly or use.

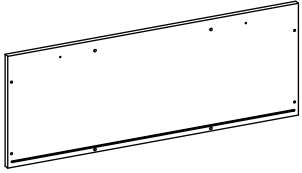


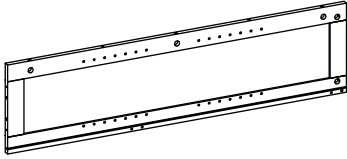
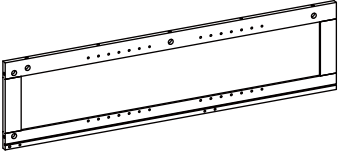



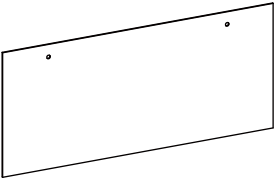
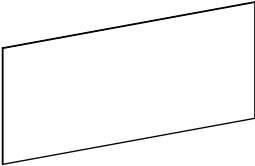

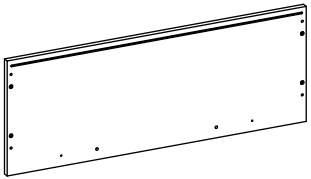

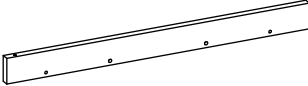
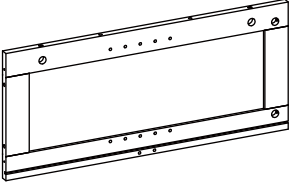
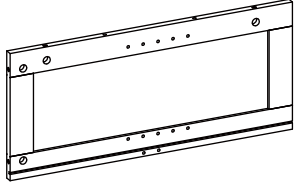
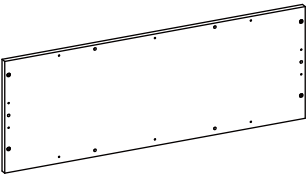
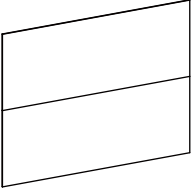
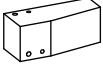
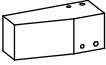
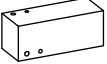
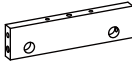
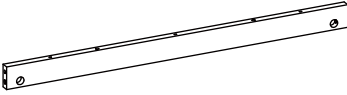
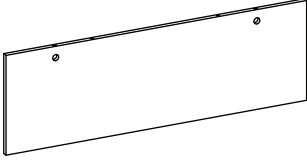
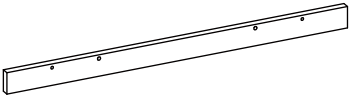
1. During the assembly process, keep all parts away from babies or children.
2. Always securely fix this product to the wall. Make sure the wall area to be drilled is free from hidden electrical wires, water and gas pipes.
3. Use of tip-over restraints may only reduce, but not eliminate the risk of tip-over.
4. Unless specially designed to accommodate, do not set heavy objects on top of this product.
5. Place the heaviest items on the lowest drawers or shelves.
6. Never allow children to climb or bang on drawers, doors or shelves.

WARNING	
	<p>Children have died from furniture tipover. To reduce the risk of furniture tipover:</p> <ul style="list-style-type: none">● ALWAYS install tipover restraint provided.● NEVER put a TV on this product.● NEVER allow children to stand, climb or hang on drawers, doors, or shelves.● NEVER open more than one drawer at a time.● Place heaviest items in the lowest drawers.
	

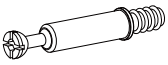


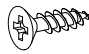
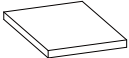

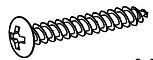

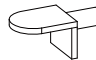
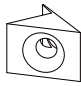

Part List



Part List

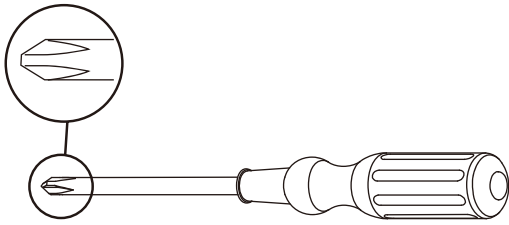
① ×1	② ×1	③ ×1	④ ×1
			
⑤ ×1	⑥ ×2	⑦ ×1	⑧ ×2
			
⑨ ×1	⑩ ×2	⑪ ×2	⑫ ×1
			
⑬ ×1	⑭ ×1	⑮ ×1	⑯ ×1
			
⑰ ×1	⑱ ×1	⑲ ×1	⑳ ×1
			
㉑ ×2	㉒ ×2	㉓ ×2	㉔ ×3
			
㉕ ×3			
			

Hardware List

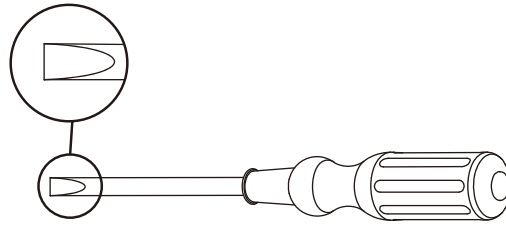
A ×46+1	B ×46+1	C ×44+1	D ×12	E ×4
			 M3×14	
F ×20	G ×8	H ×16	I ×12	J ×12
	 M4×35	 M4×50		
K ×2				
				

Tools required

Phillips Screwdriver

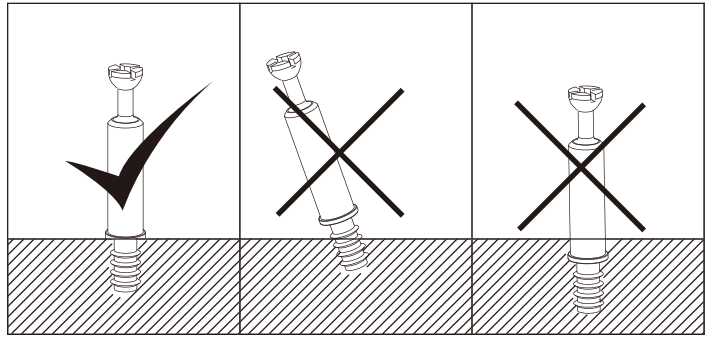
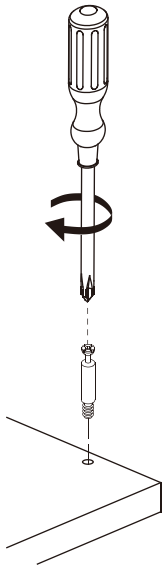


Straight Screwdriver



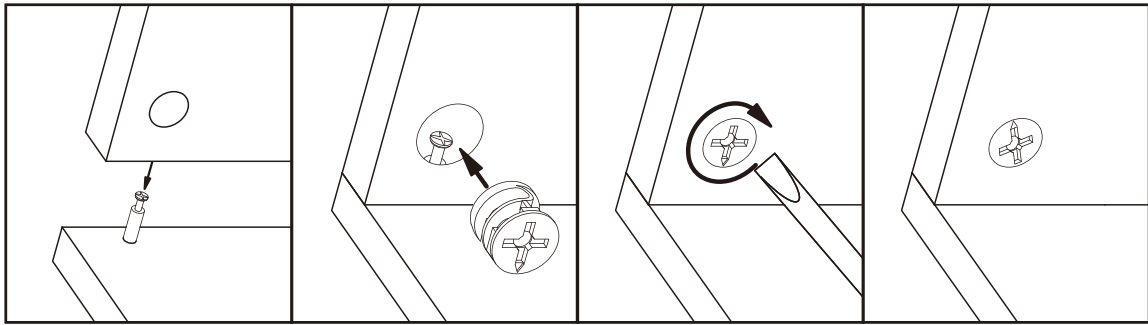
Power Tool NOT Recommended

To ensure proper assembly we have included the following guides:



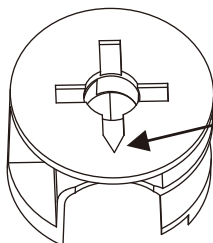
Insert threads of Locking Bolts completely, and stop once threads are no longer visible.

Do NOT overturn.



Reference this guide when assembling all Cam Locks.

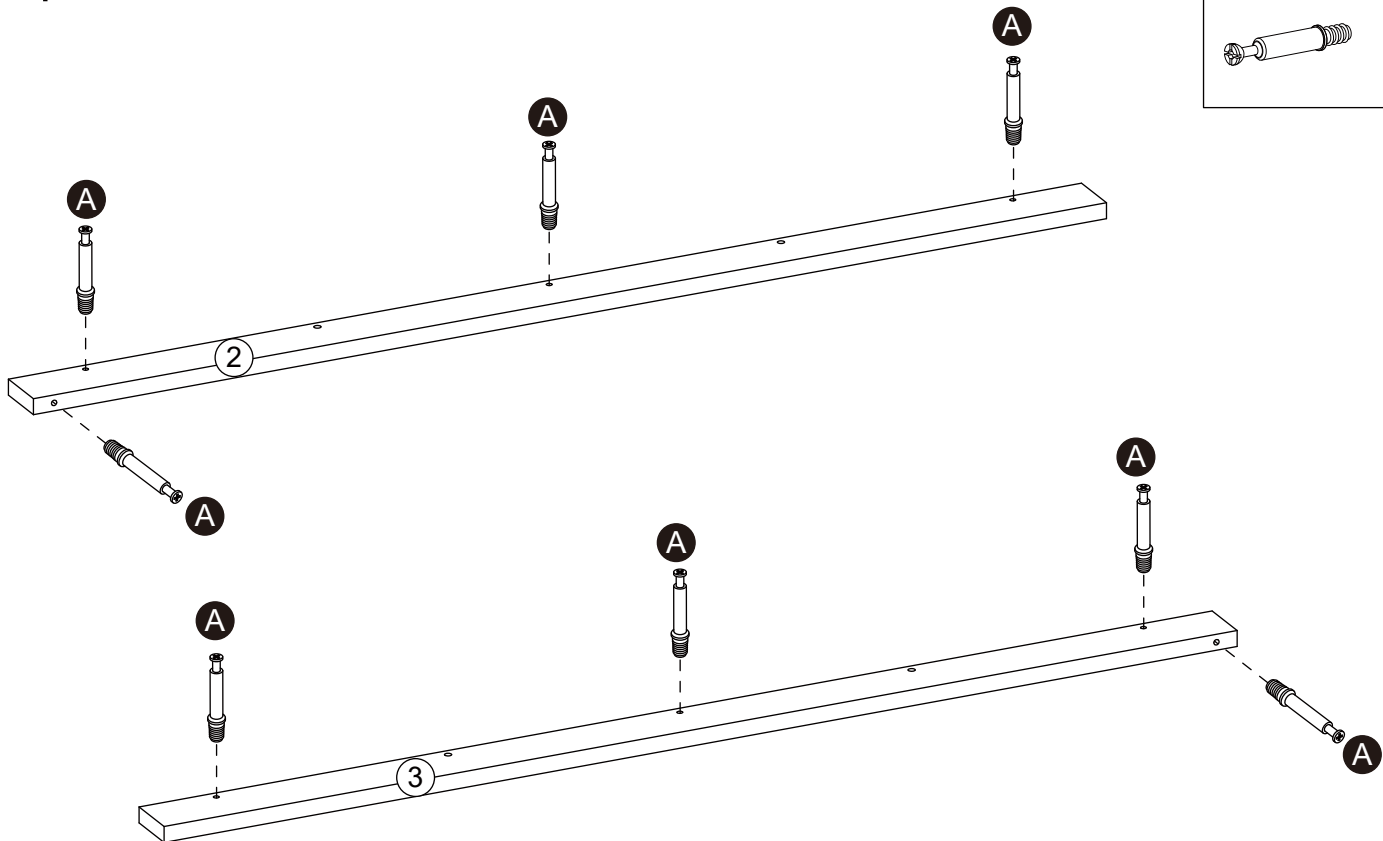
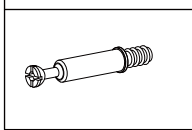
Do NOT overturn.



Notice: "pointer arrow" on cam face the Bolt when inserted the cam.

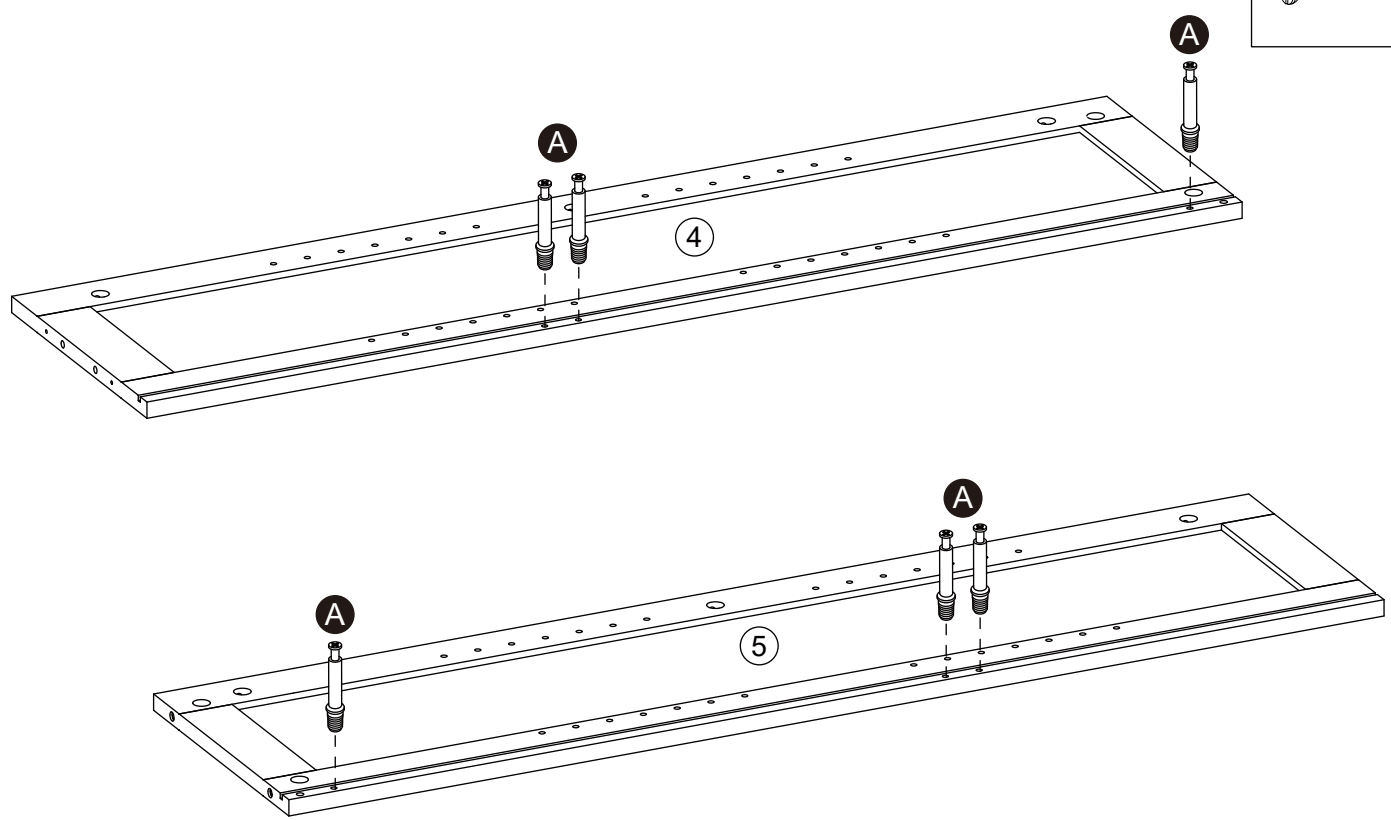
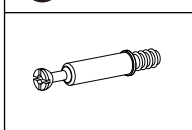
Step 1

A x8





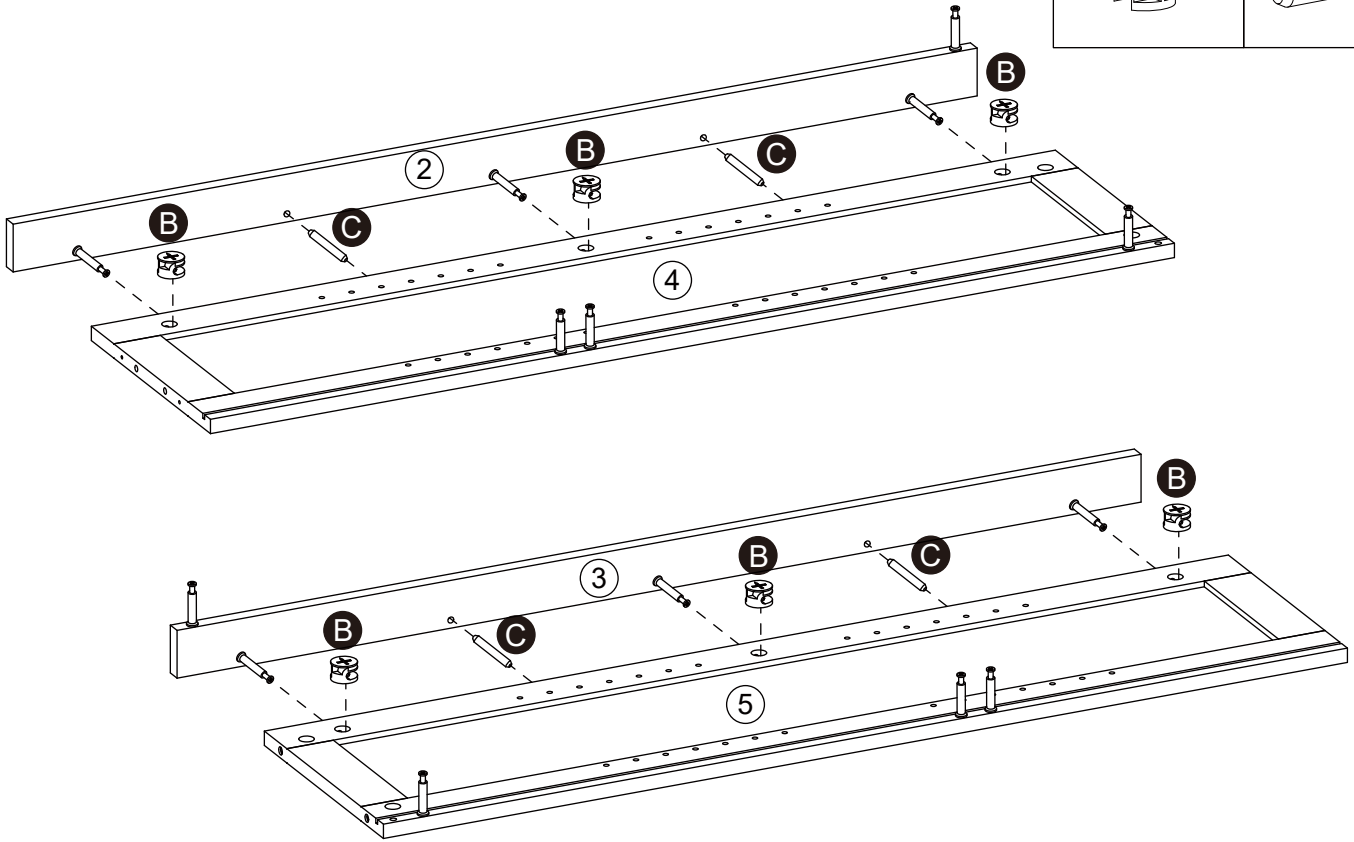
Step 2

A x6





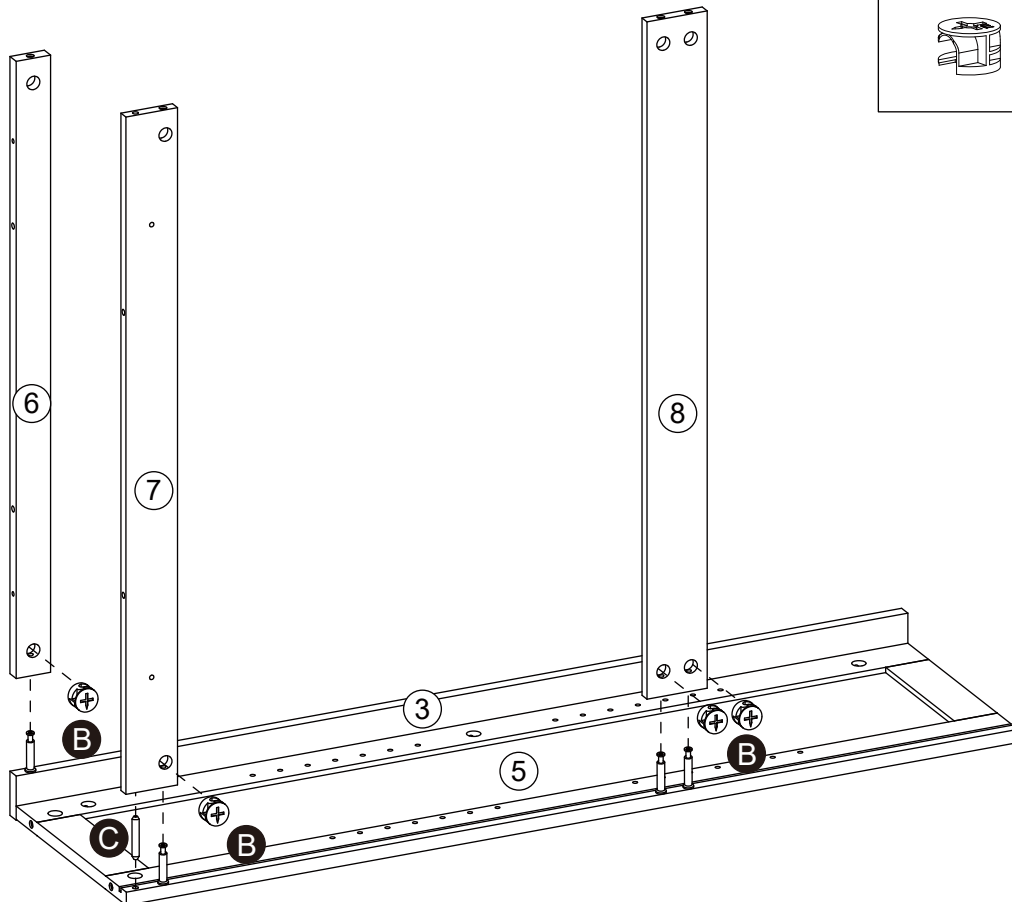
Step 3

B ×6	C ×4
	





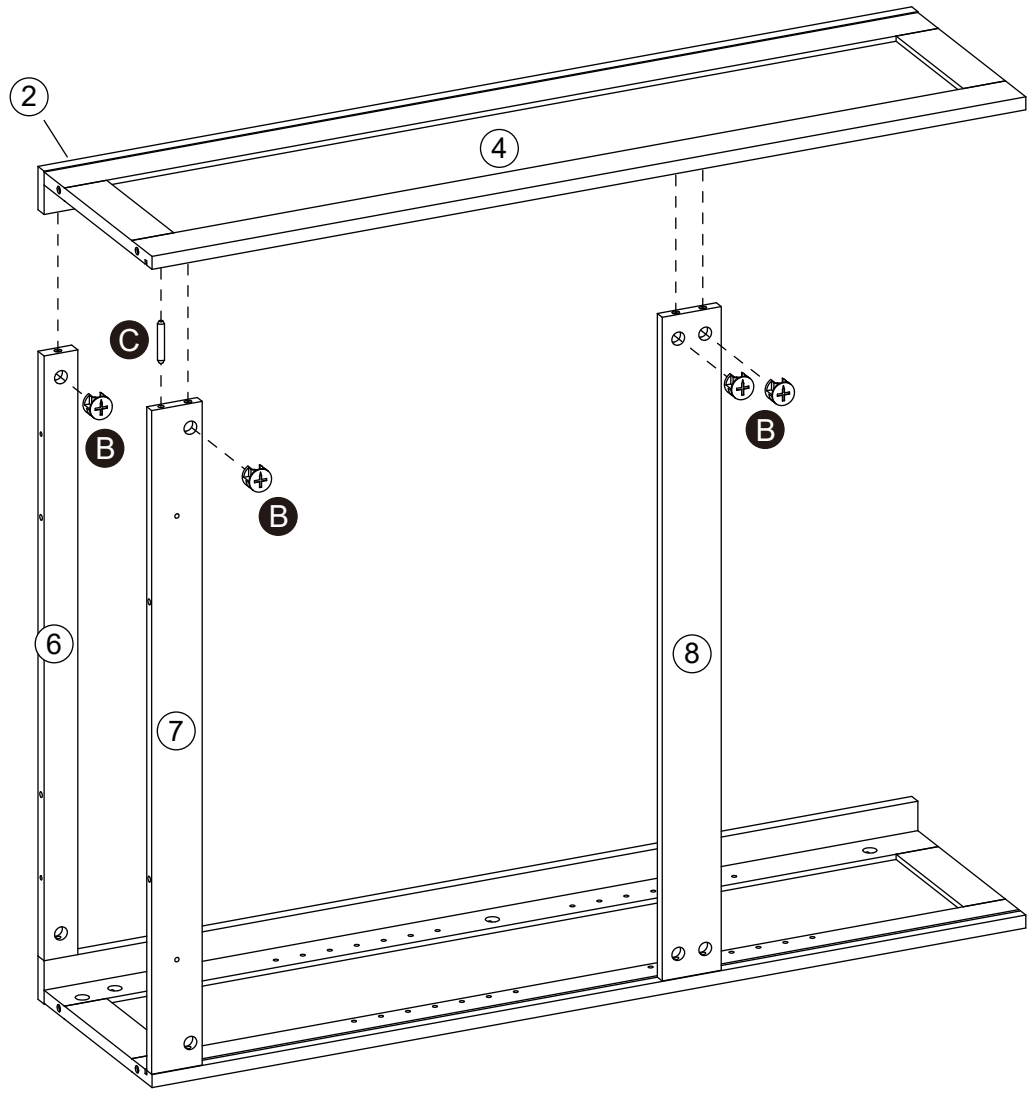
Step 4

B ×4	C ×1
	

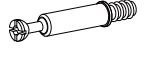


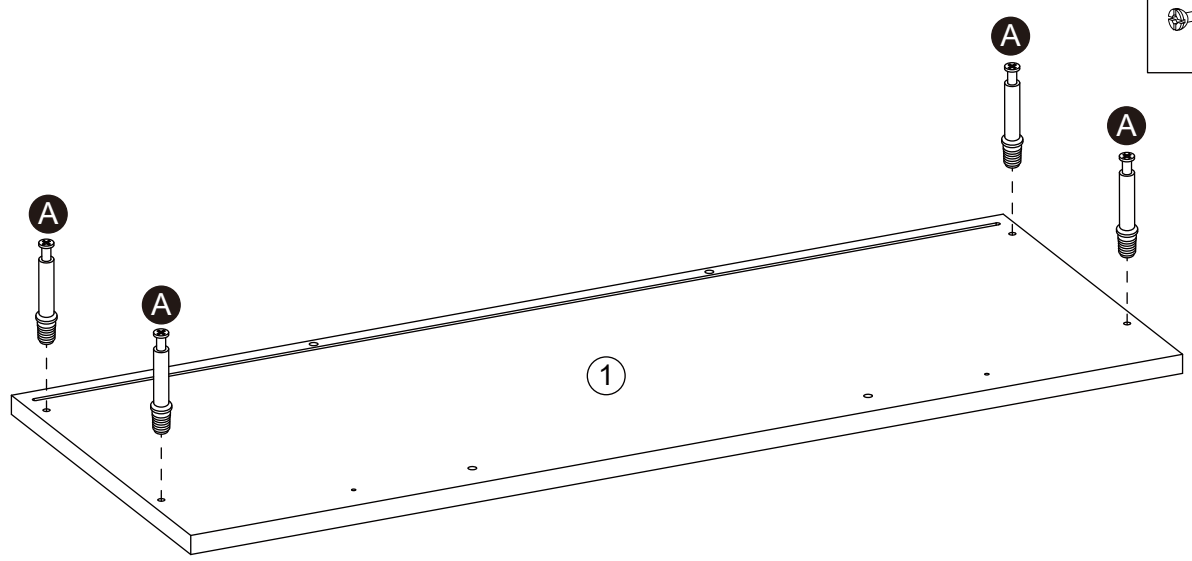
Step 5

B ×4	C ×1
	

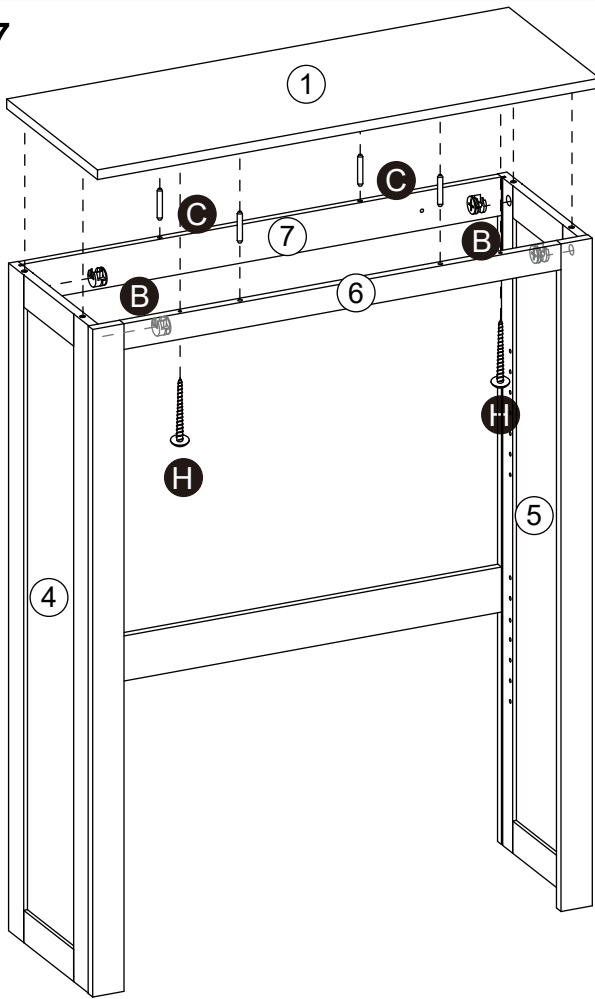





Step 6

A ×4


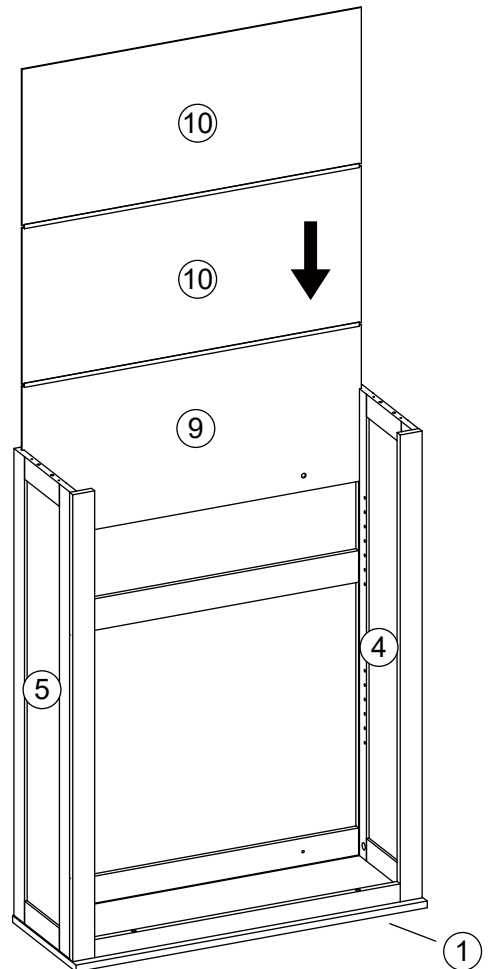
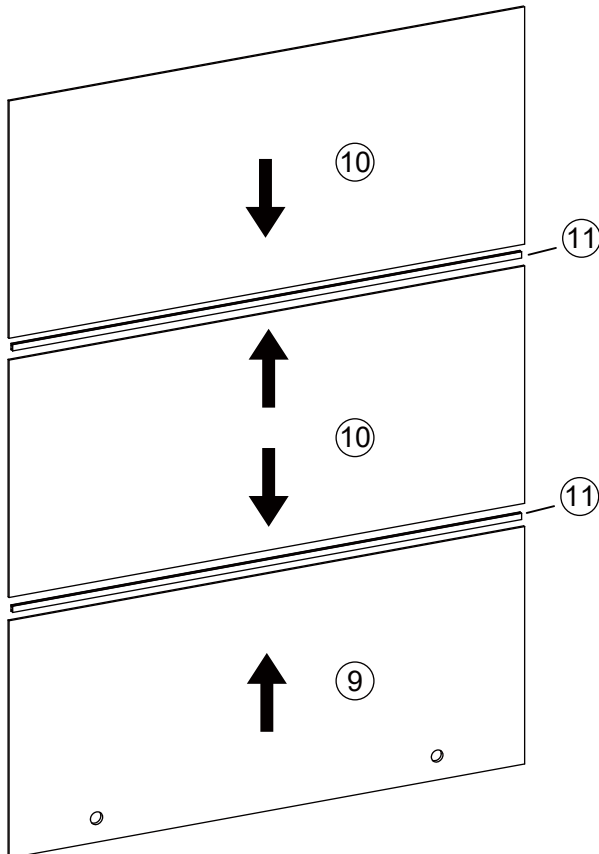


Step 7

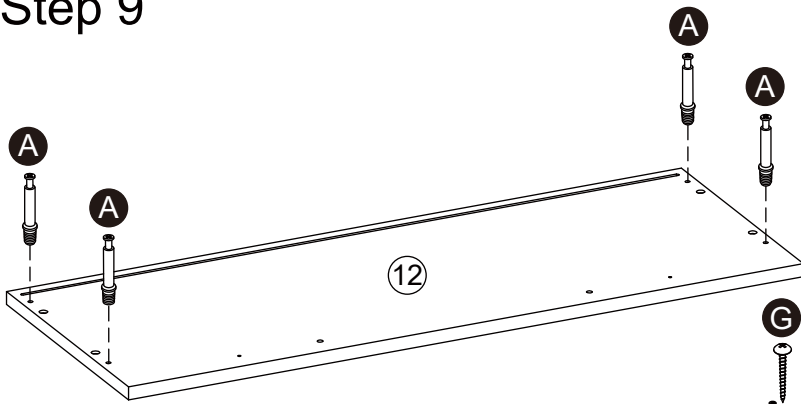



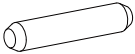
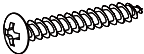
B x4	C x4	H x2
		

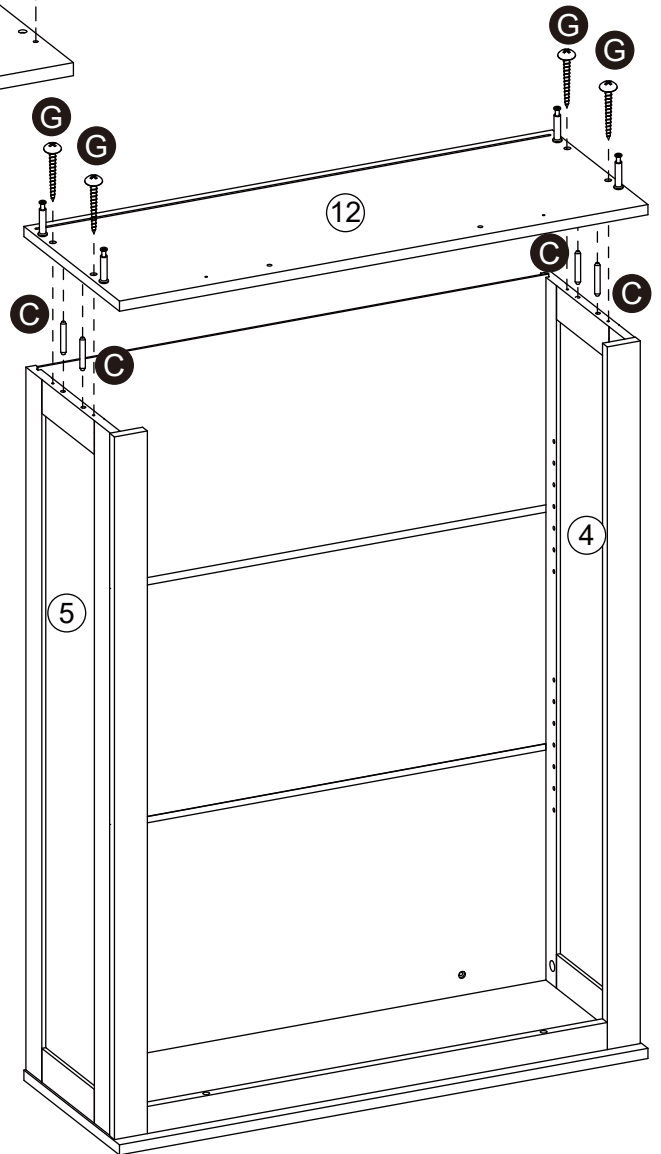
Step 8



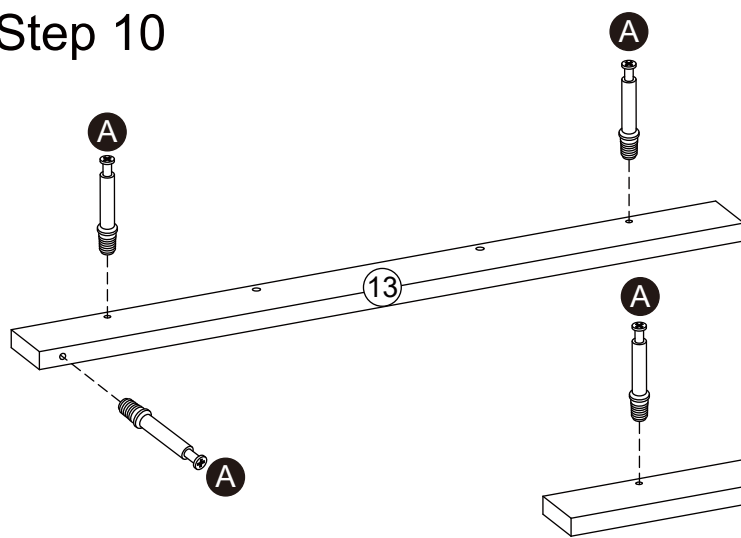
Step 9

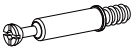


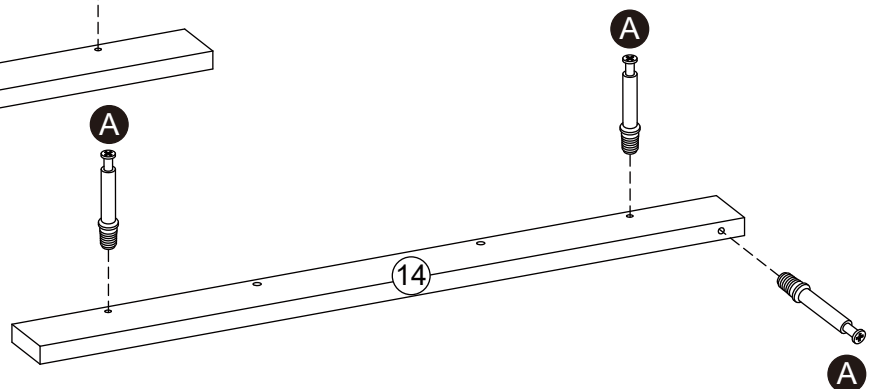
A x4	C x4	G x4
		



Step 10

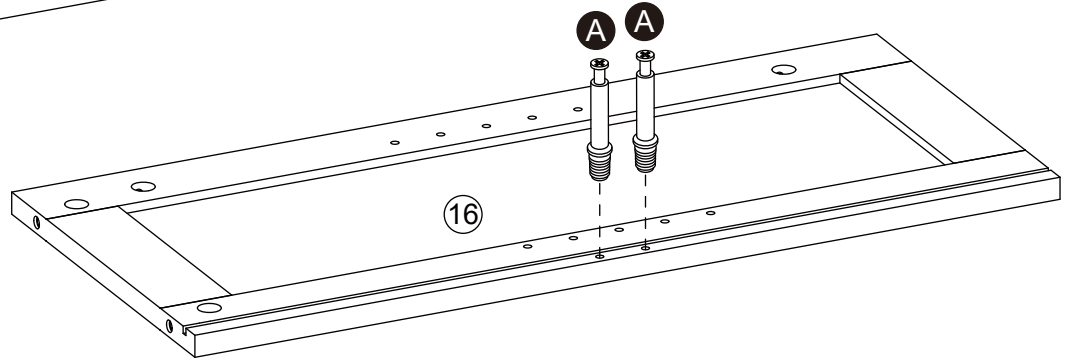
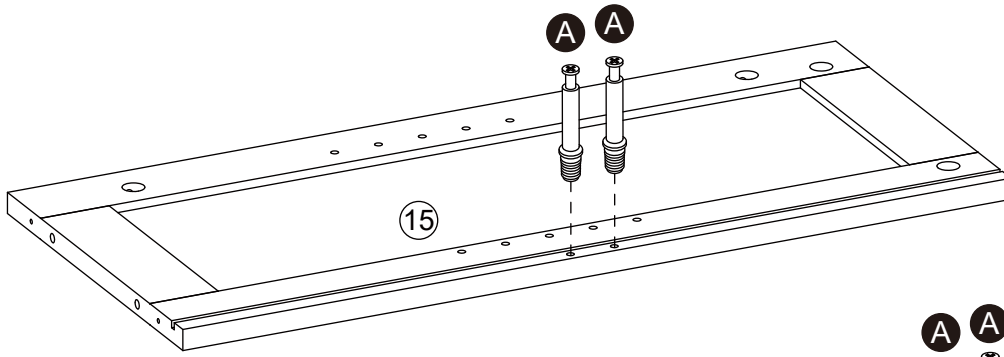
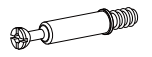


A x6




Step 11

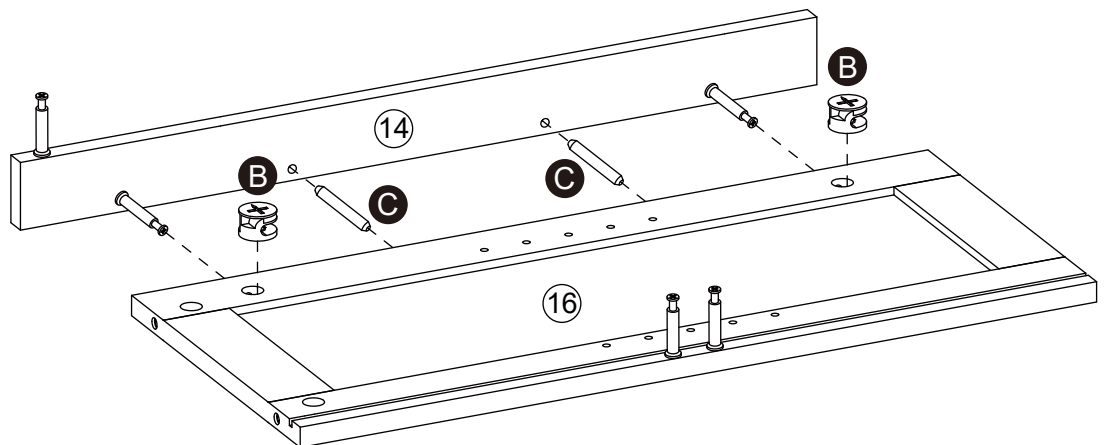
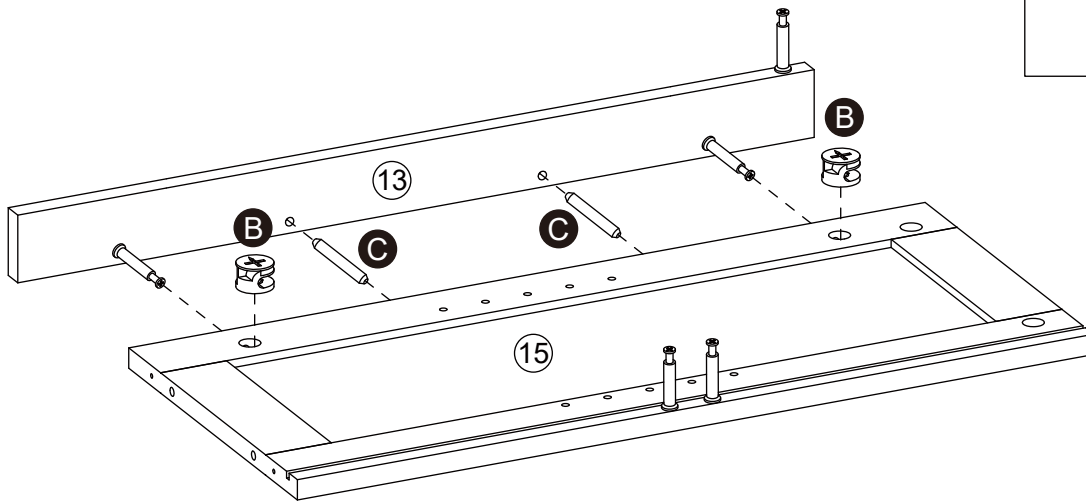
A ×4



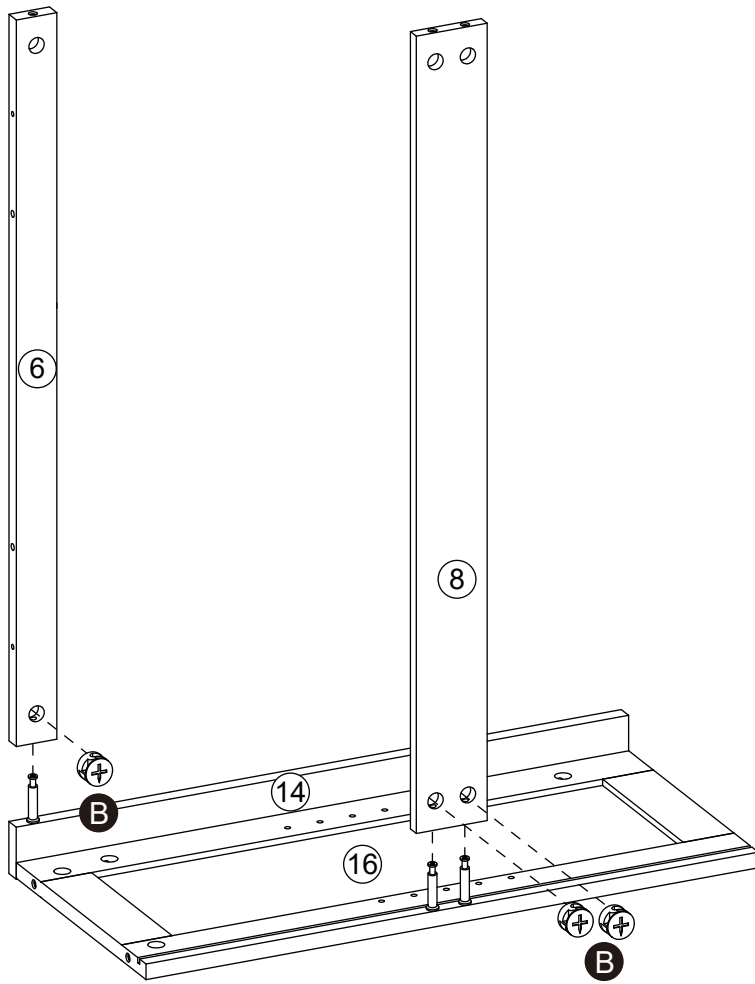
Step 12

B ×4

C ×4



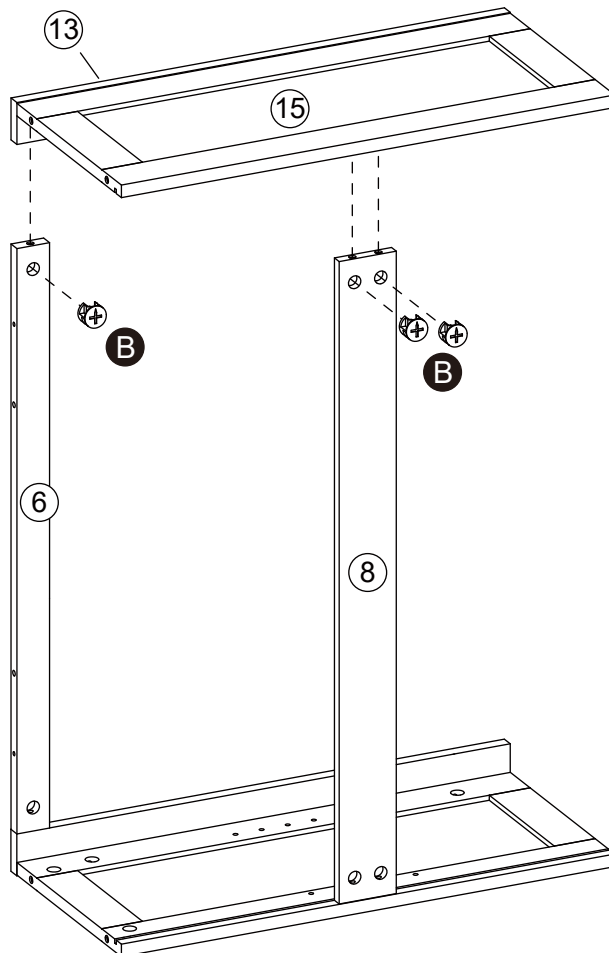
Step 13



B x3



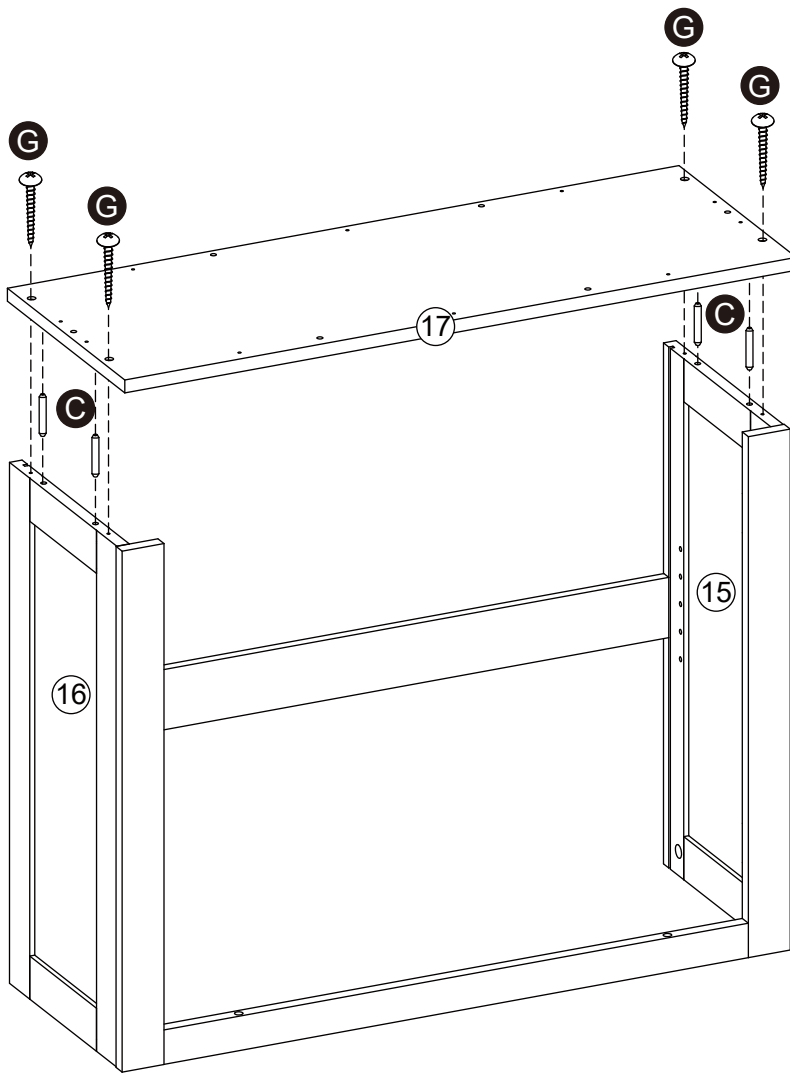
Step 14





B x3

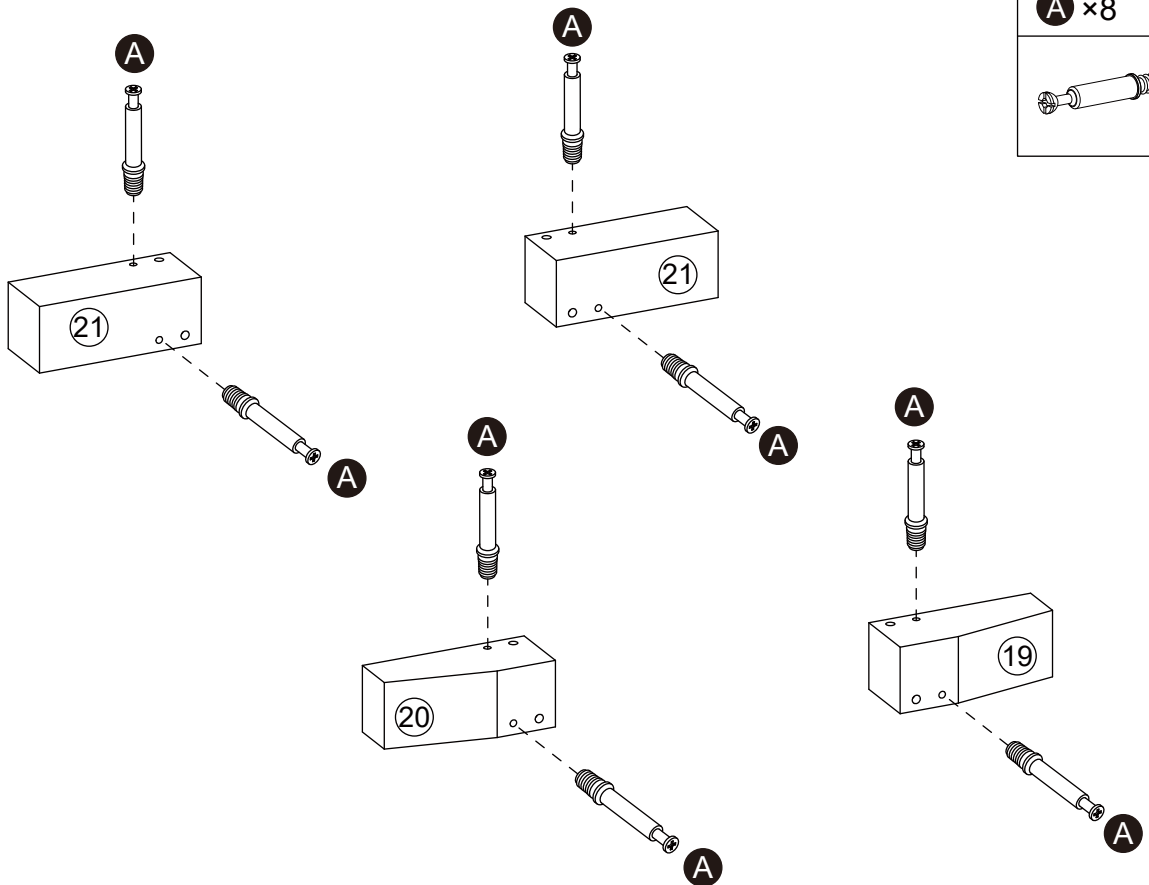


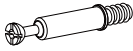
Step 15





C ×4	G ×4
	

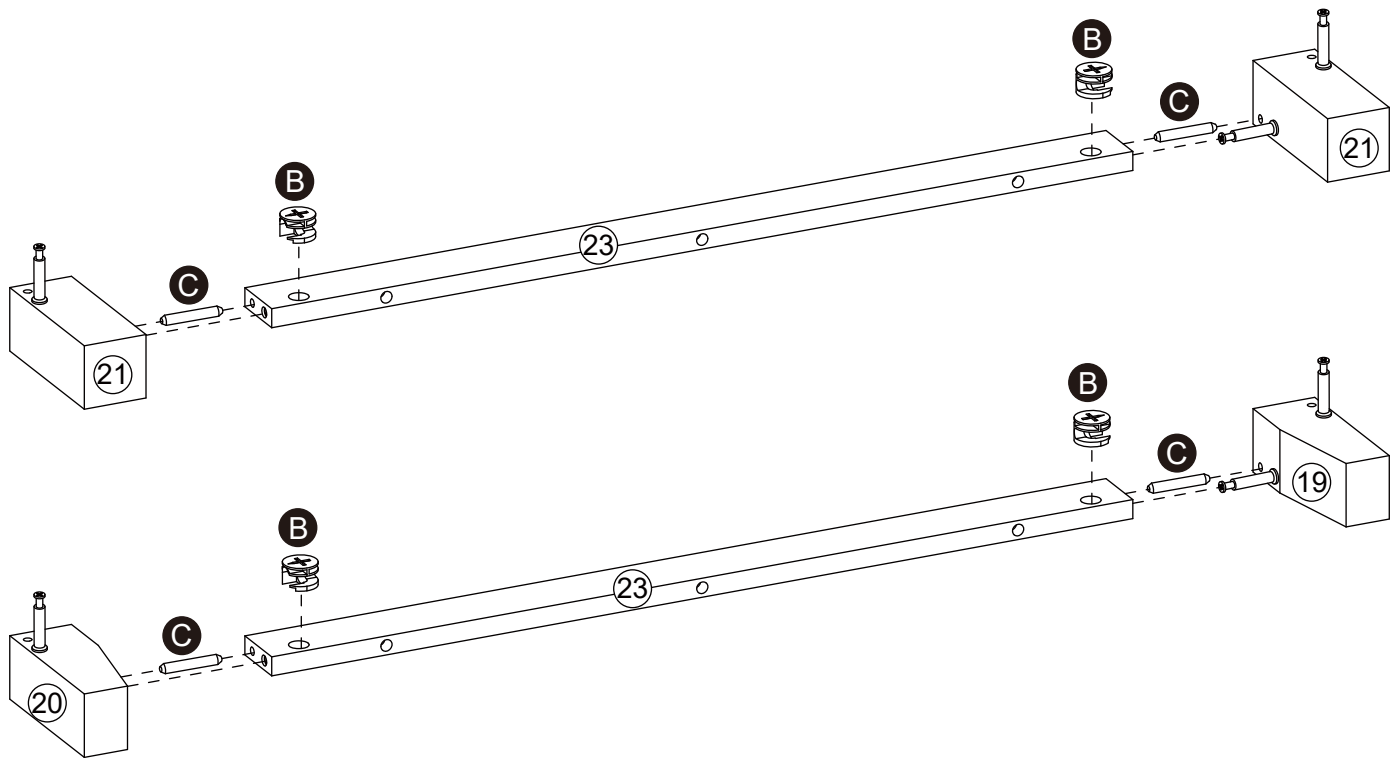
Step 16




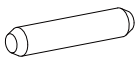
A ×8


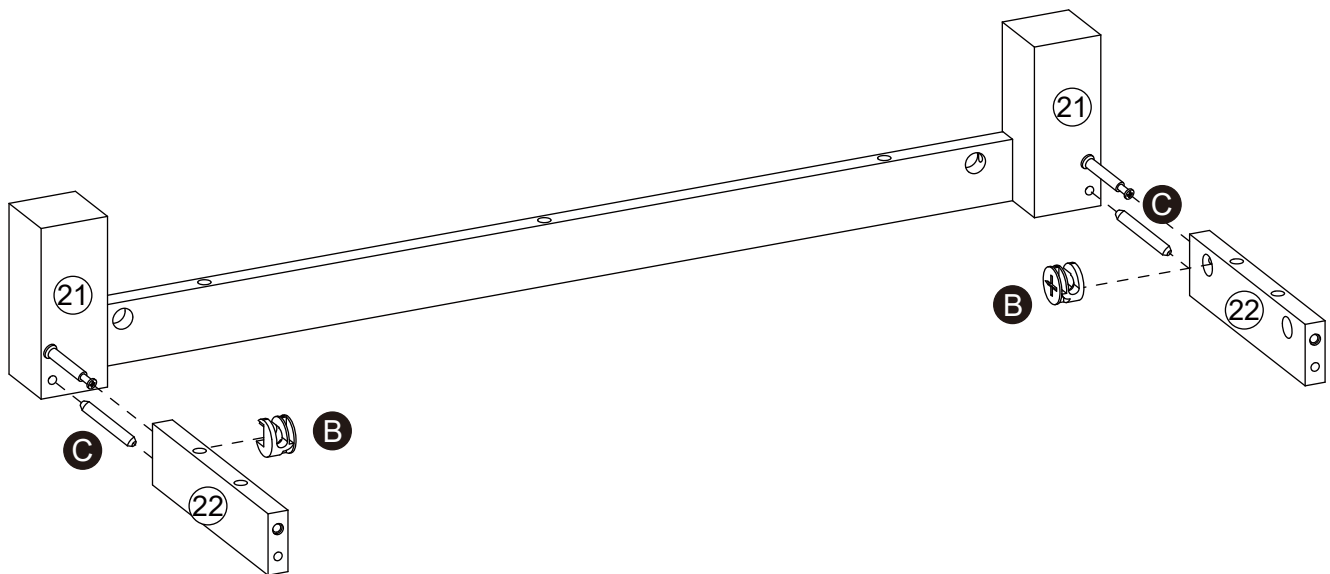
Step 17

B x4	C x4
	





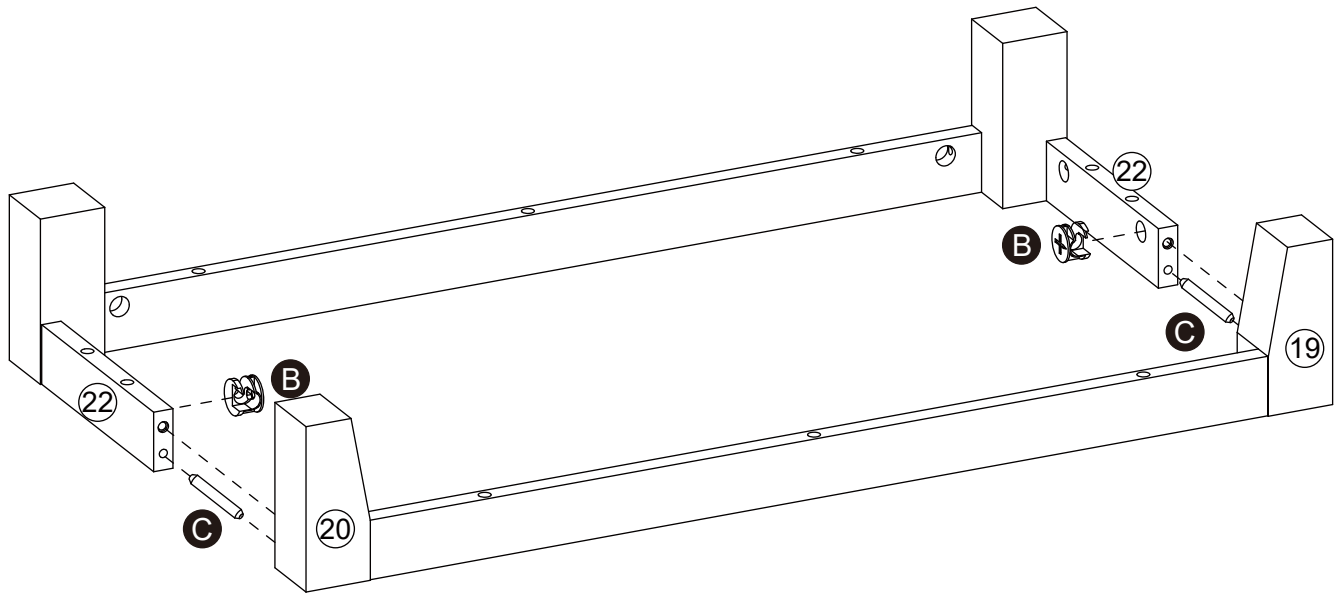
Step 18

B x2	C x2
	

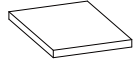


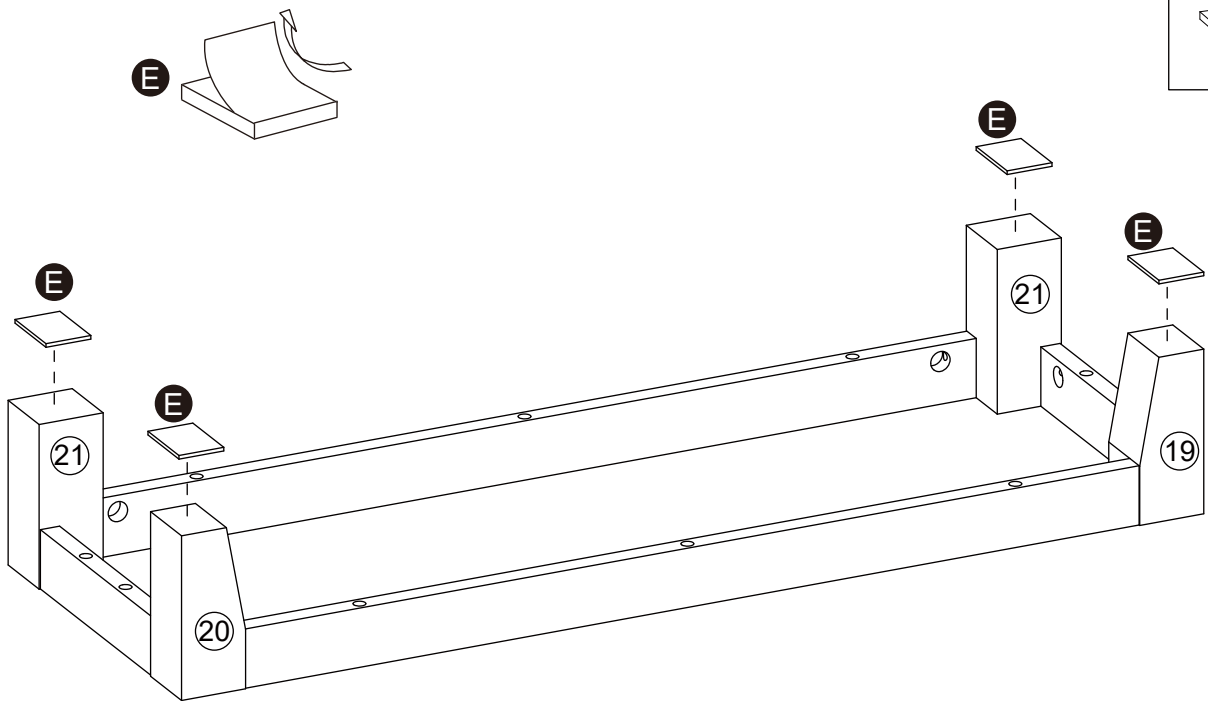
Step 19

B x2	C x2
	

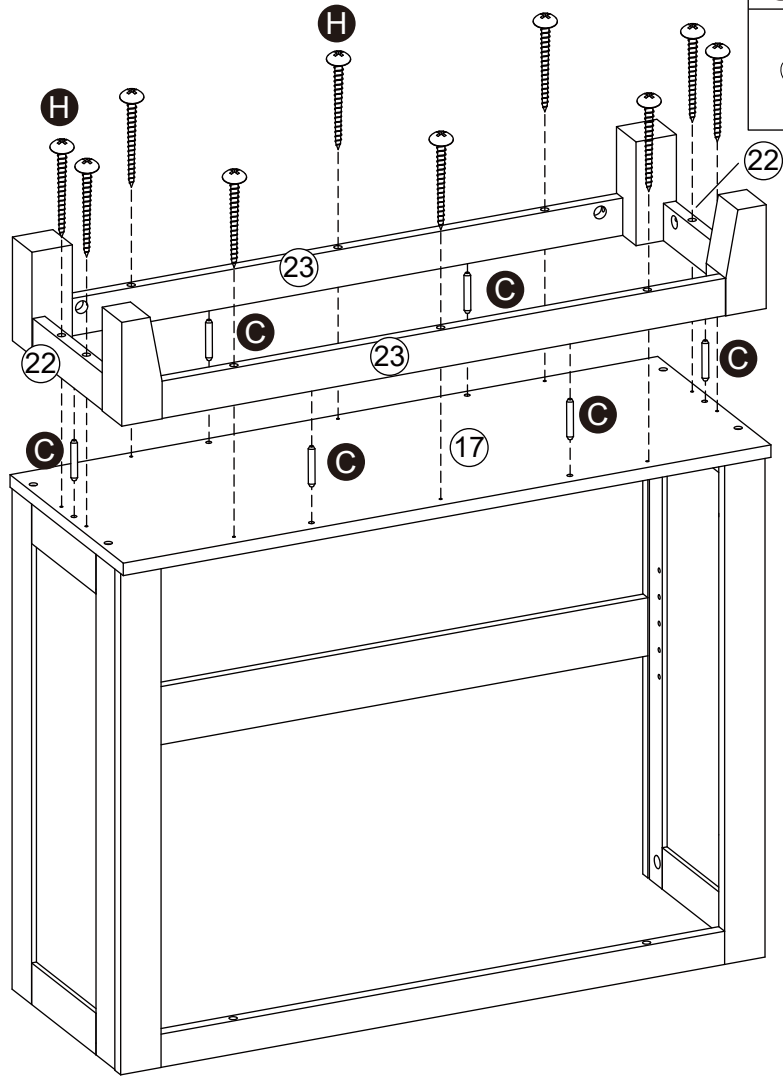




Step 20

E x4


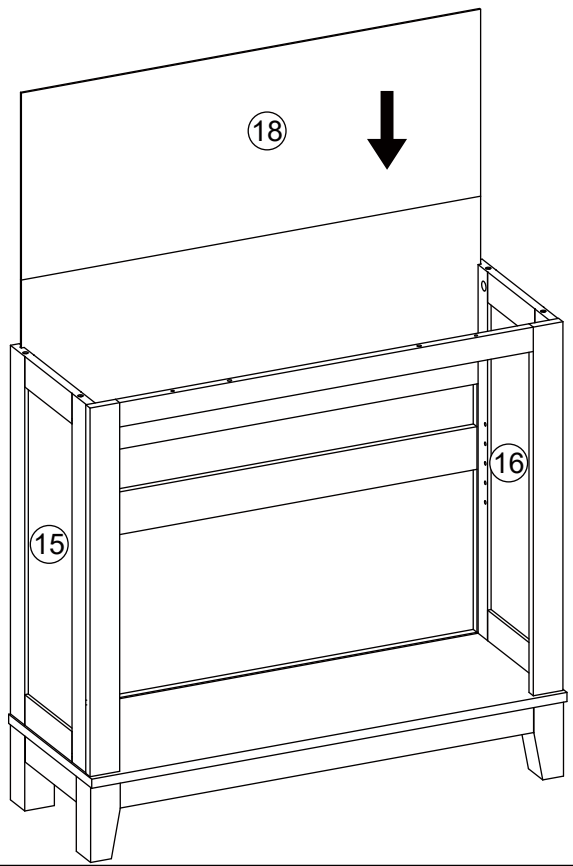


Step 21

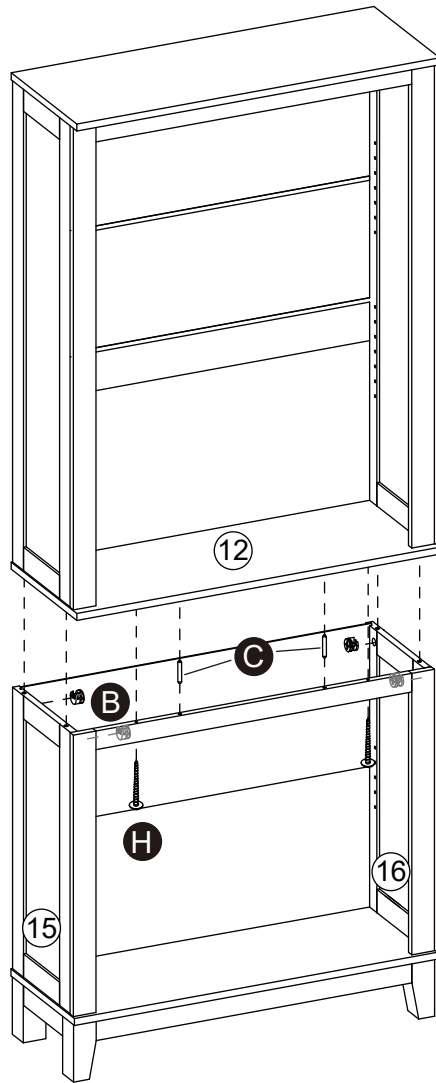




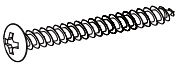
C x6	H x10
	

Step 22

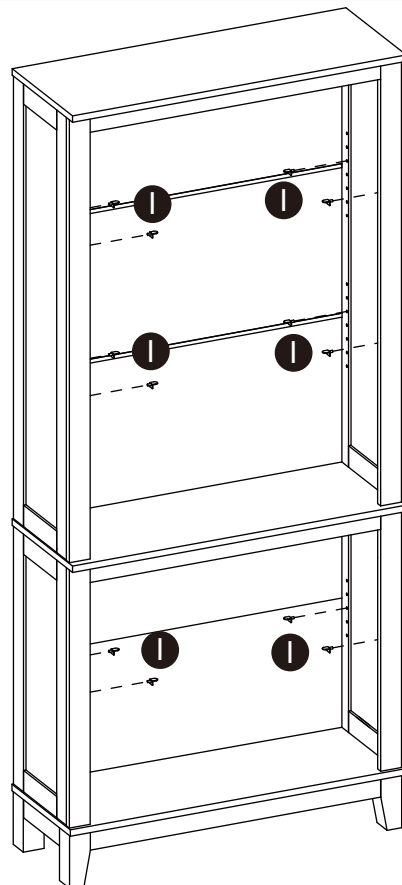


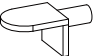
Step 23

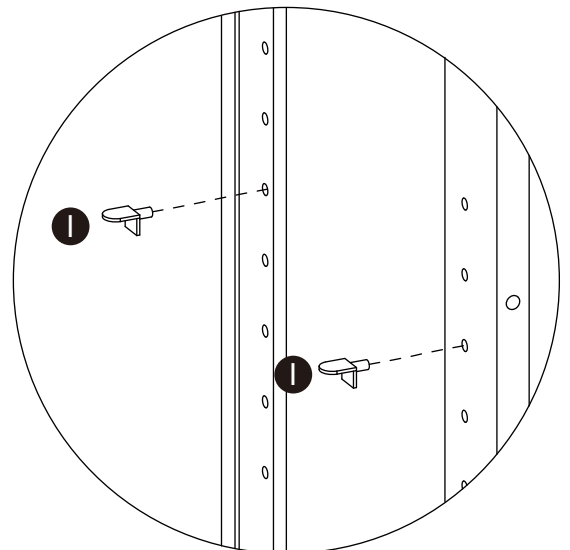


B x4	C x2	H x2
		

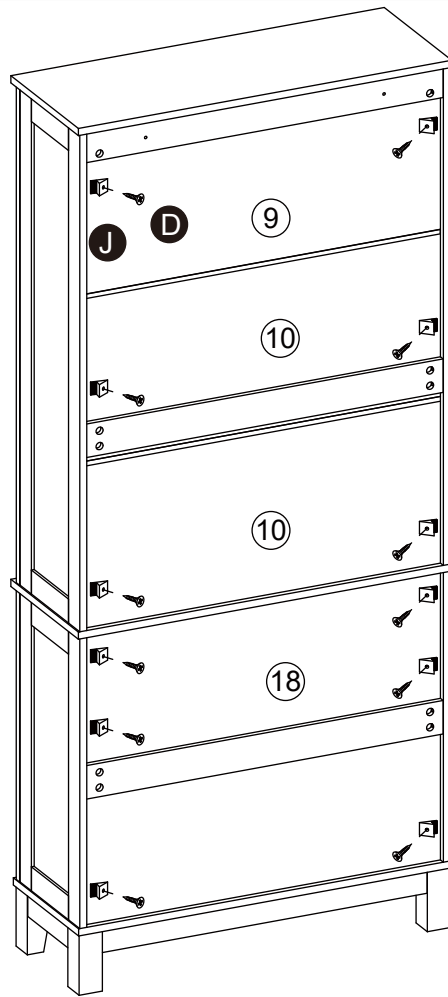
Step 24





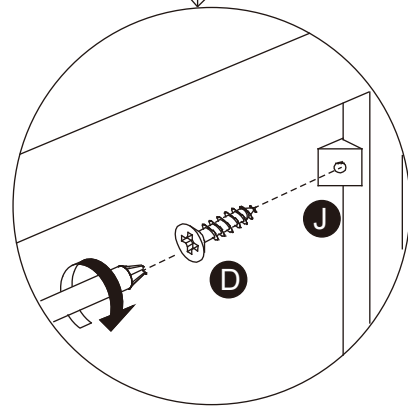
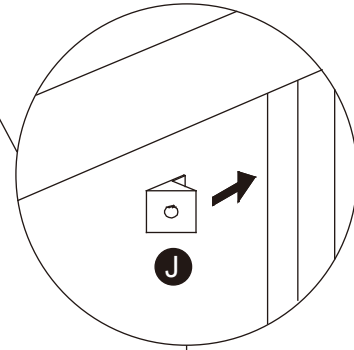
I x12




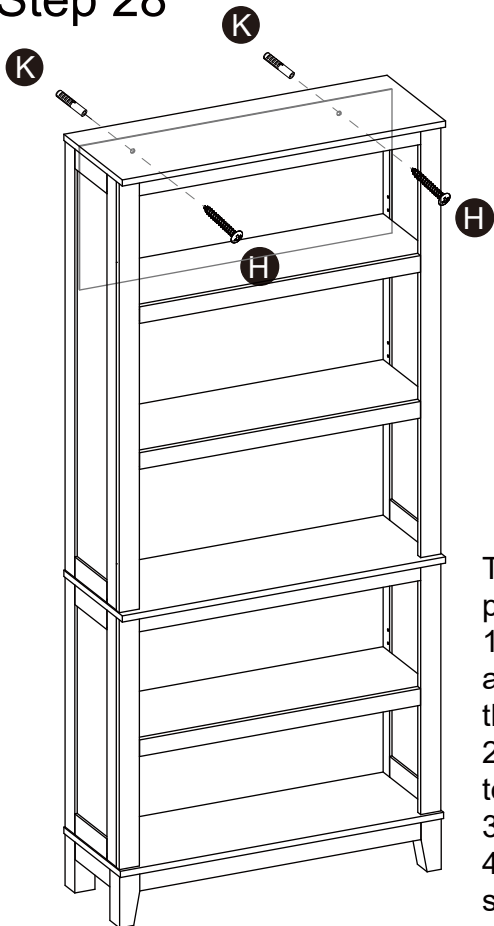
Step 27





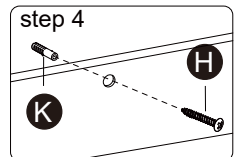
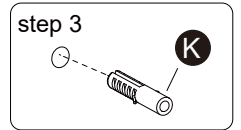
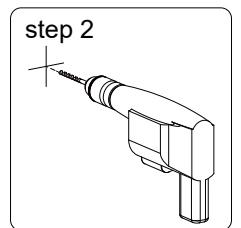
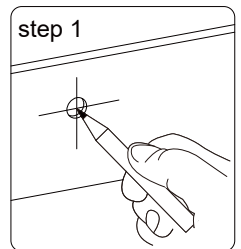
D ×12	J ×12
	



Step 28



H ×2	K ×2
	

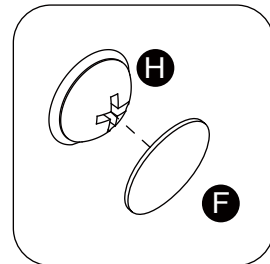
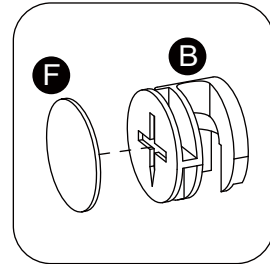
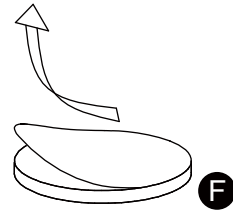
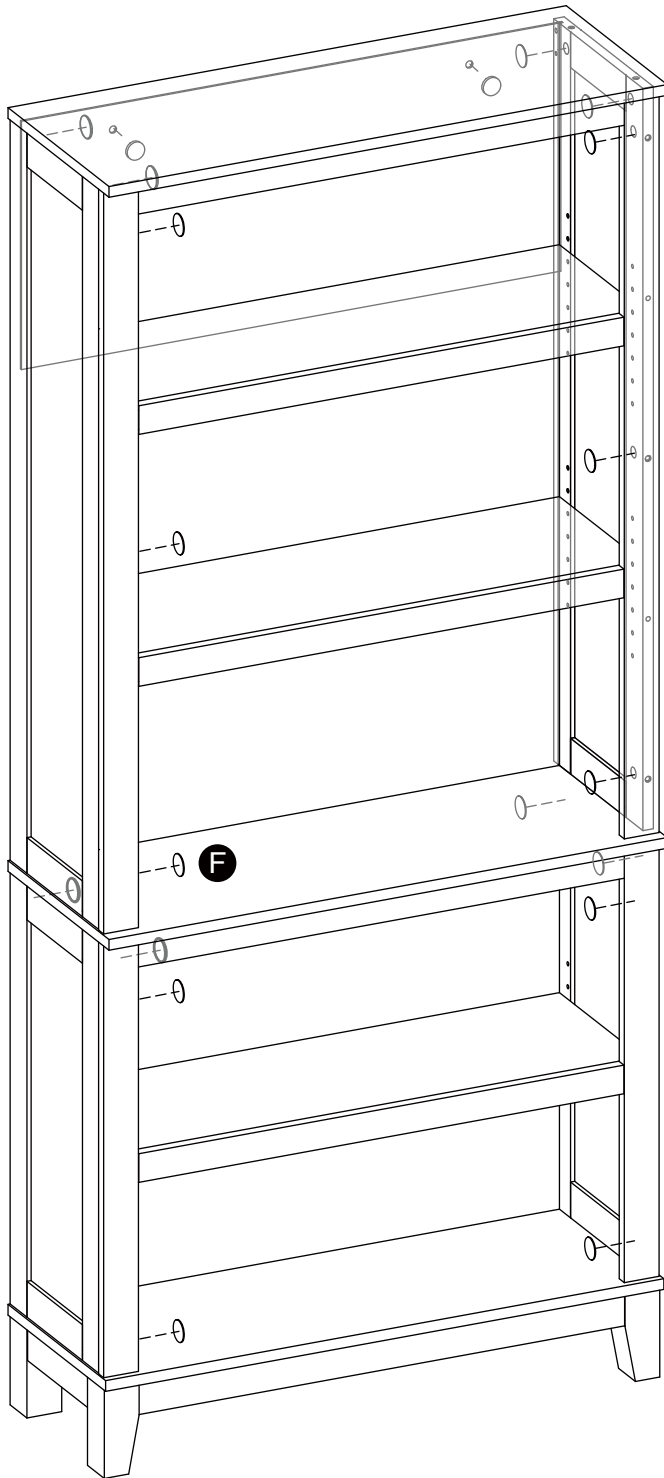


To reduce the risk of furniture tipping over , pls follow below steps to fix this item to the wall :

- 1) Place this unit to your desired location, use a pencil to make a small mark on solid wall through holes on top back panel
- 2) Move this unit away ,follow the pencil mark to drill holes on solid wall.
- 3) Screw wall anchor (K) into wall hole.
- 4) Place this unit against to the wall, fix screw(H) through back panel into wall anchor (K) .

Step 29

F ×20



Use the paper sticker (F) to cover the cam holes if needed