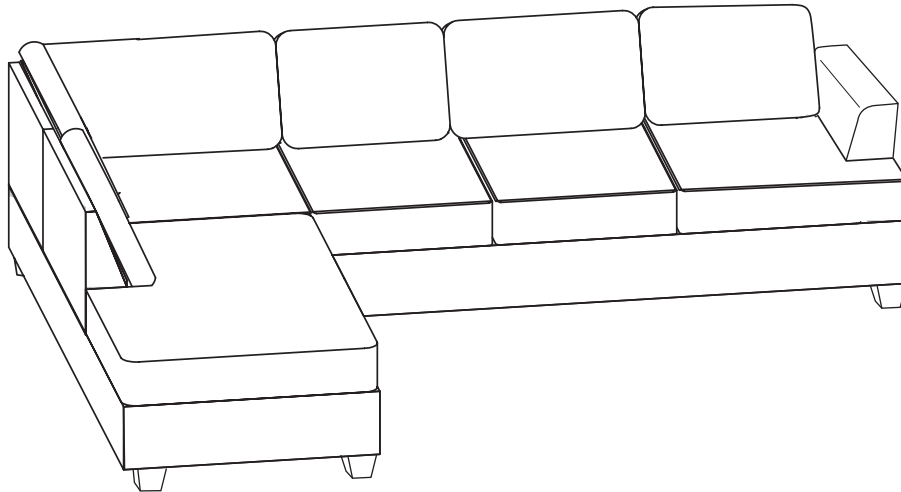


NOTICE BEFORE ASSEMBLY

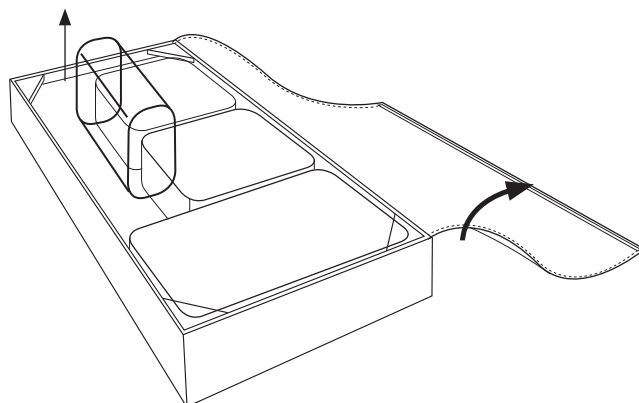
Please choose the **CHAISE** will be on the **LEFT** or **RIGHT** hand side



PARTS LIST

BOX-1		BOX-2	
*Cushions, pillow and legs included		*Cushions, pillow and legs included	
1. x12	2. x12	3. x12	
4. x12	5. x1	6. x8	

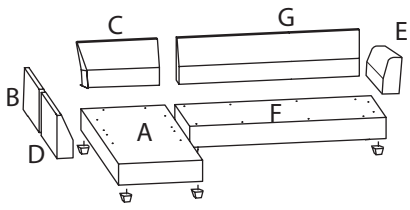
BEFORE ASSEMBLY



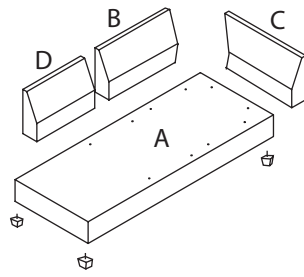
Open up the Velcro of Non-Woven Fabric cover on the bottom of the seat frame to remove seat cushions, back cushions and pillow

PLEASE REMOVE ALL PARTS FROM SEAT FRAMES AND SEAT BACKS BEFORE ASSEMBLY

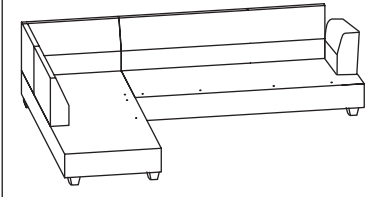
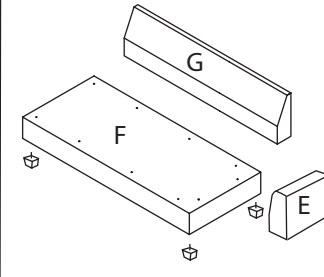
CHAISE ON THE LEFT



CHAISE - BOX 1



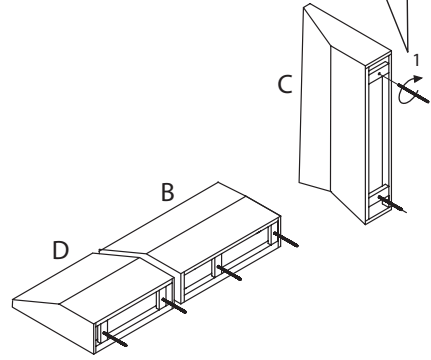
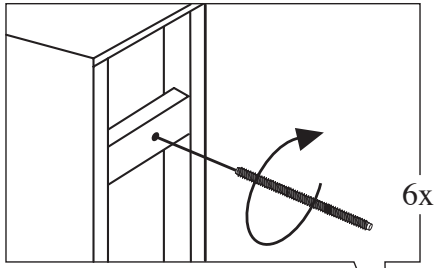
SOFA - BOX 2



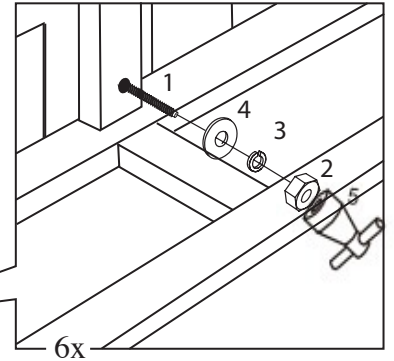
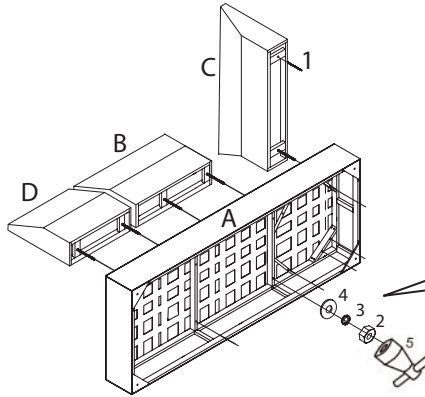
CHAISE ASSEMBLY INSTRUCTION-BOX 1

STEP 1 - INSERT THREADED RODS INTO SEAT BACKS & ARM

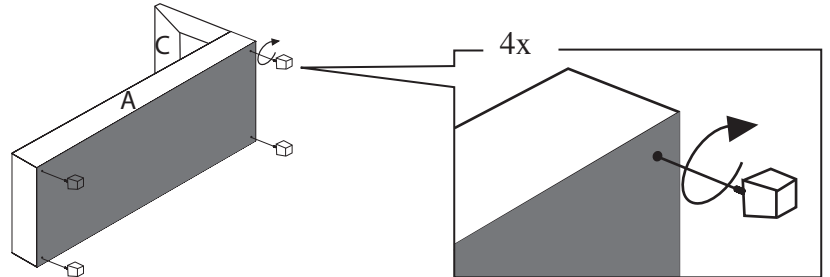
* Shorter end of the threaded screw going into the back panel.*



STEP 2 - MOUNT SEAT BACKS & ARM INTO THE SEAT FRAME

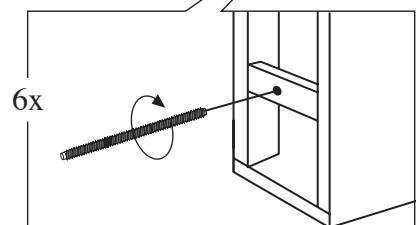
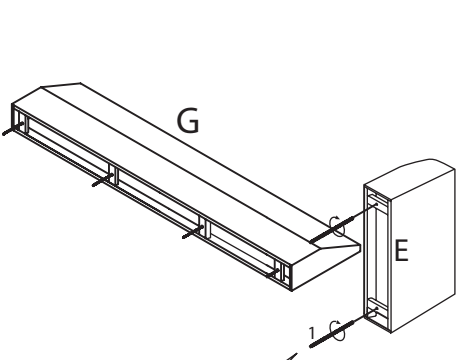


STEP 3 - PUT BACK THE FABRIC COVER AND INSERT LEGS



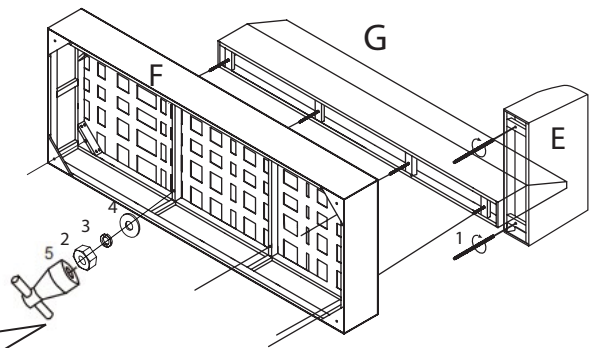
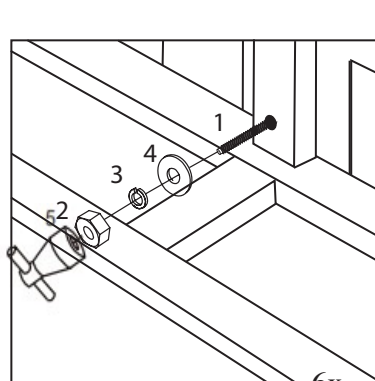
SOFA ASSEMBLY INSTRUCTION-BOX 2

STEP 1 - INSERT THREADED RODS INTO SEAT BACKS & ARM

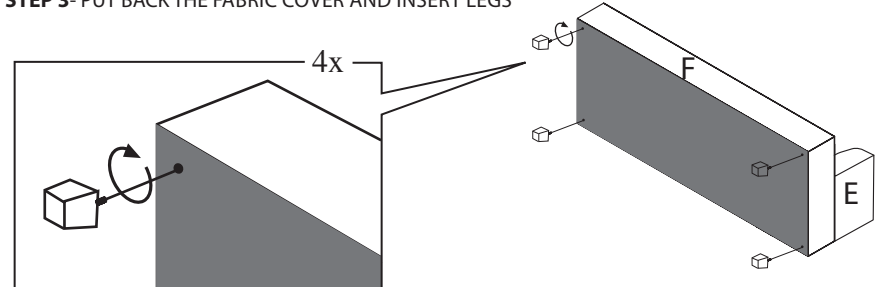


* Shorter end of the threaded screw going into the back panel.*

STEP 2 - MOUNT SEAT BACKS & ARMS INTO THE SEAT FRAME

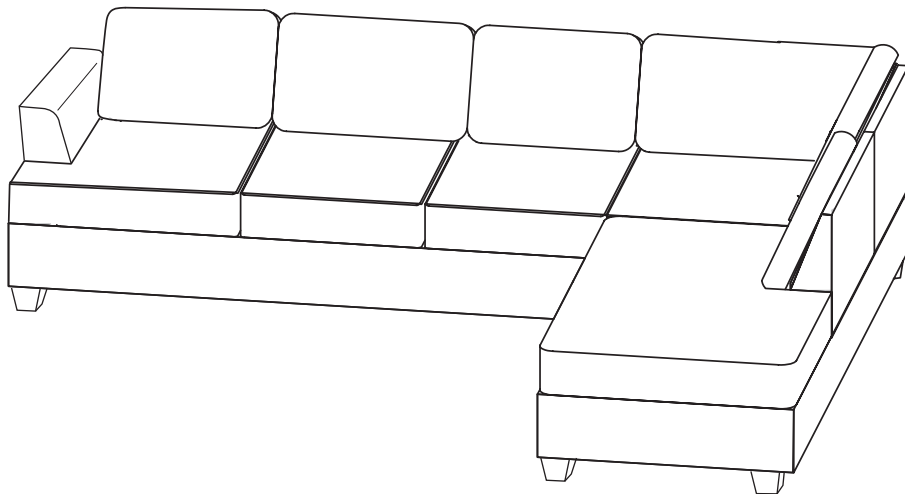


STEP 3 - PUT BACK THE FABRIC COVER AND INSERT LEGS



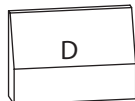
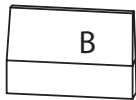
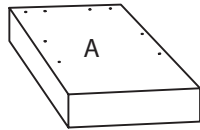
NOTICE BEFORE ASSEMBLY

Please choose the **CHAISE** will be on the **LEFT** or **RIGHT** hand side



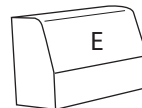
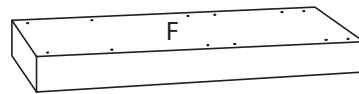
PARTS LIST

BOX-1



*Cushions, pillow and legs included

BOX-2



*Cushions, pillow and legs included

1.  x12

2.  x12

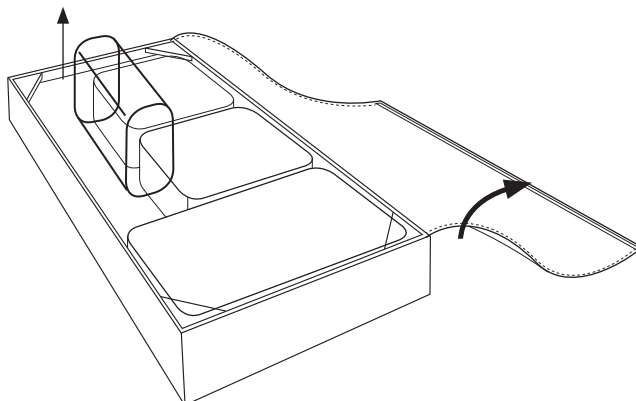
3.  x12

4.  x12

5.  x1

6.  x8

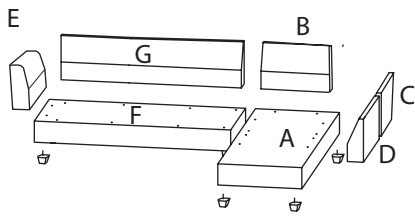
BEFORE ASSEMBLY



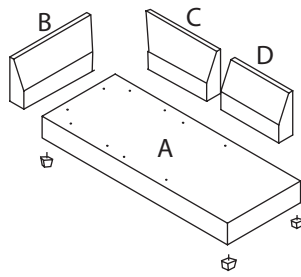
Open up the Velcro of Non-Woven Fabric cover on the bottom of the seat frame to remove seat cushions, back cushions and pillow

PLEASE REMOVE ALL PARTS FROM SEAT FRAMES AND SEAT BACKS BEFORE ASSEMBLY

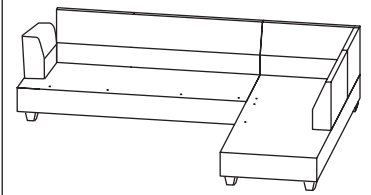
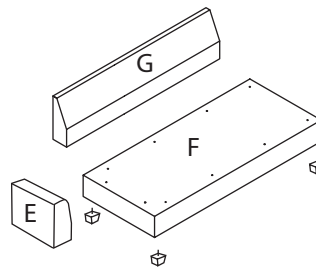
CHAISE ON THE RIGHT



CHAISE - BOX 1



SOFA - BOX 2

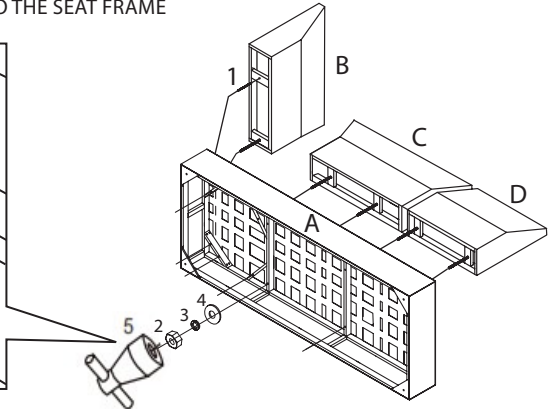
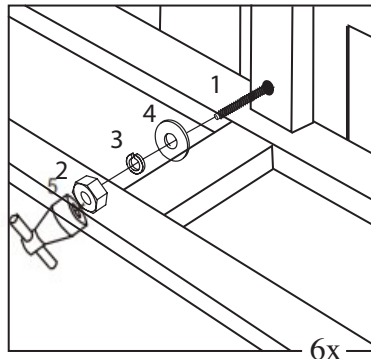
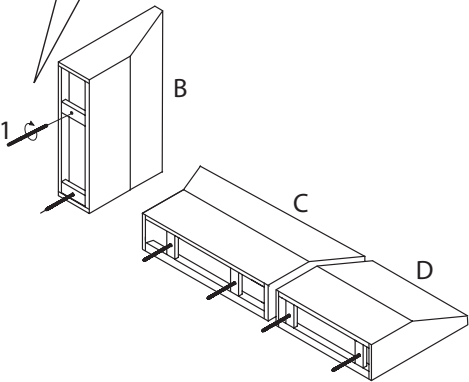
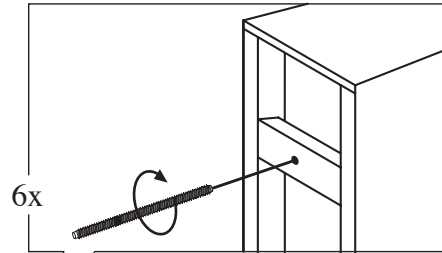


CHAISE ASSEMBLY INSTRUCTION-BOX 1

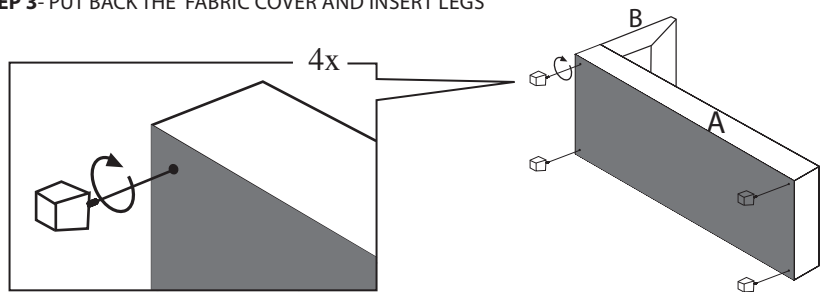
STEP 1- INSERT THREADED RODS INTO SEAT BACKS & ARM

STEP 2- MOUNT SEAT BACKS AND ARM INTO THE SEAT FRAME

* Shorter end of the threaded screw going into the back panel.*



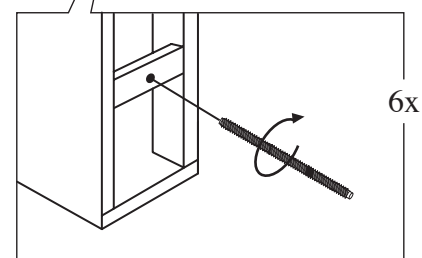
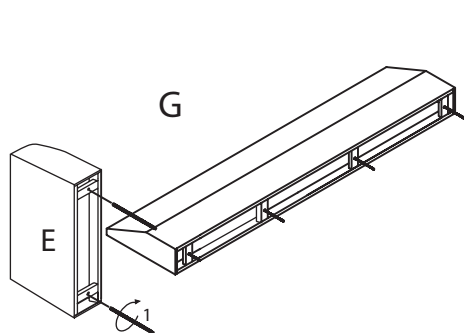
STEP 3- PUT BACK THE FABRIC COVER AND INSERT LEGS



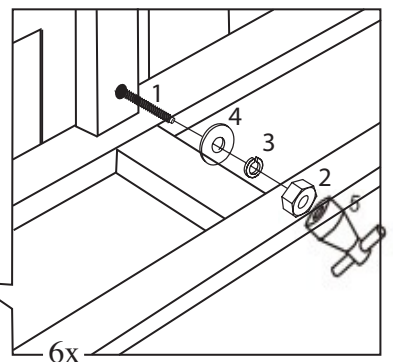
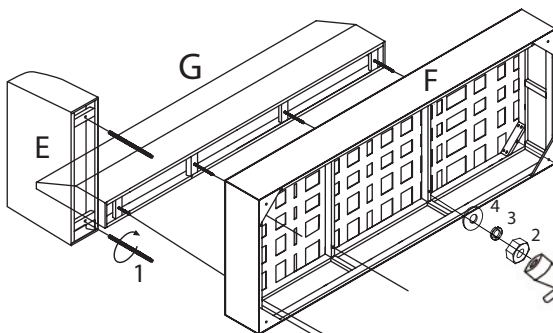
SOFA ASSEMBLY INSTRUCTION-BOX 2

STEP 1- INSERT THREADED RODS INTO SEAT BACKS & ARM

STEP 2- MOUNT SEAT BACKS AND ARM INTO THE SEAT FRAME



* Shorter end of the threaded screw going into the back panel.*



STEP 3- PUT BACK THE FABRIC COVER AND INSERT LEGS

