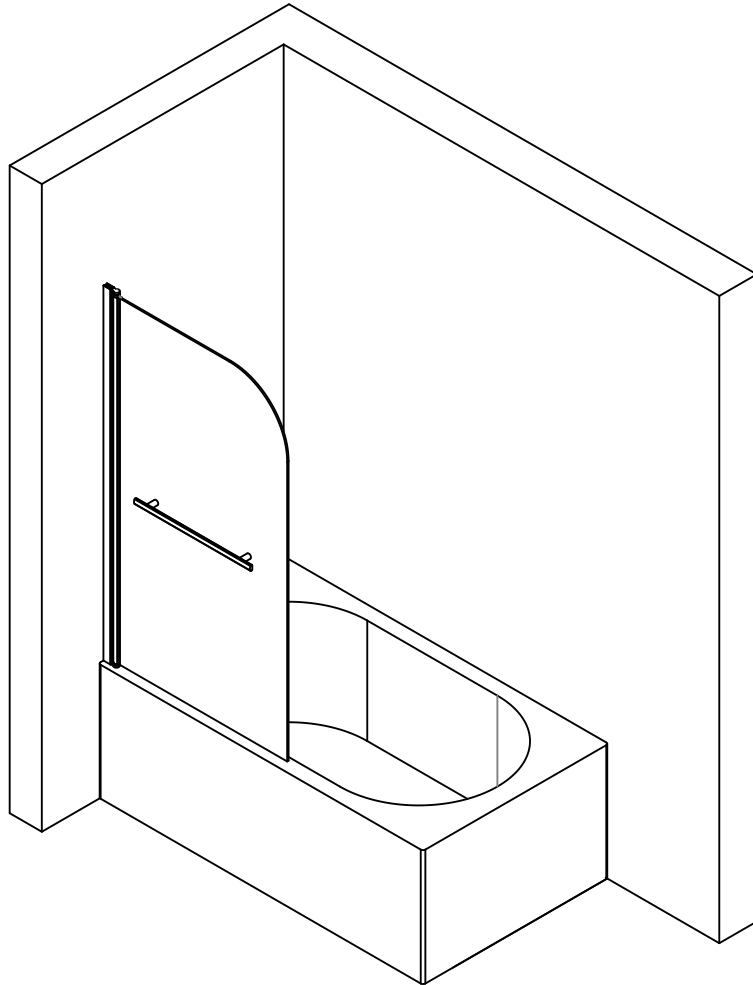


# INSTRUCTION MANUAL

## RX-SD29



Rainlex



2 PEOPLE REQUIRED

**Please keep this manual and product code number for future reference  
and for ordering replacement parts if necessary.**

---

#### **GENERAL INSTRUCTIONS**

- Read this manual carefully and completely before proceeding.
- It is recommended that you wear safety glasses at all times during the installation.

#### **INSTALLATION\*OVER\*CERAMIC\*TILES**

- If your shower door is to be installed over ceramic tiles, the tiles should lay completely under the wall jamb.
- Silicone should be used to seal the gap where the ceramic tiles meet the fixed panel.

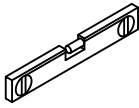
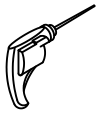


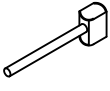



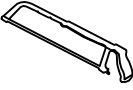

#### **NOTICE**

- Caulking: no sealant is required inside the shower, unless otherwise stated.
- Some models are equipped with clear sealing gaskets.

#### **CARE FOR YOUR SHOWER DOOR**

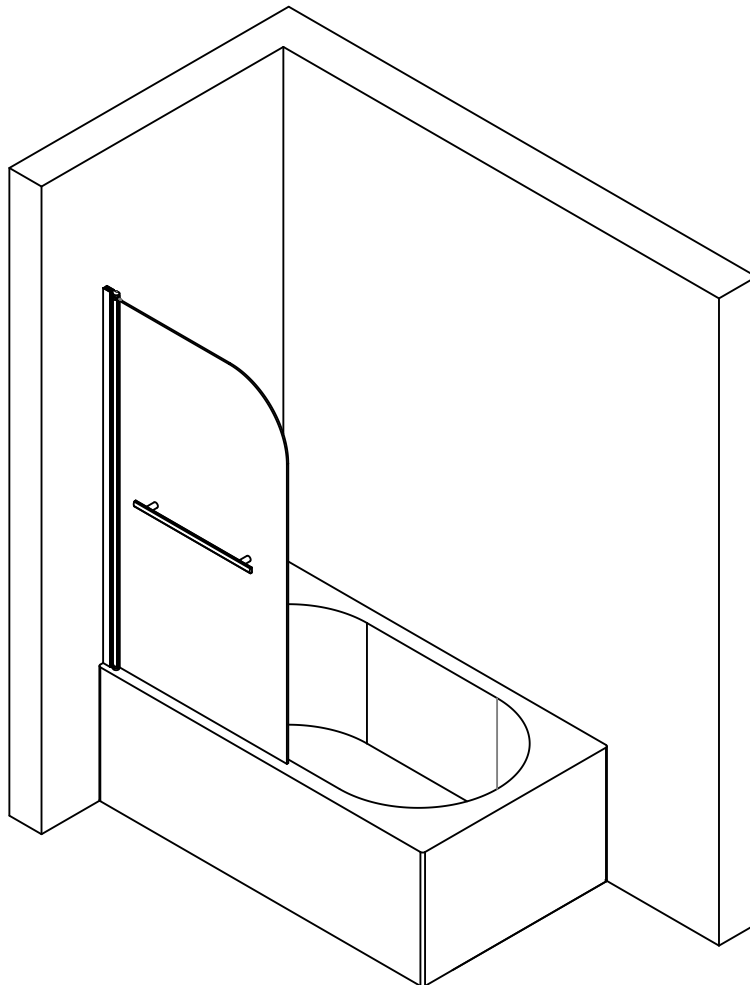
- Never use scouring powder pads or sharp instruments on metal pieces or glass panels.  
An occasional wiping down with a mild soap diluted in water is all that is needed to keep the panels and metal parts looking new.
- We recommend wiping the glass panels with a squeegee after each use.

## TOOLS REQUIRED

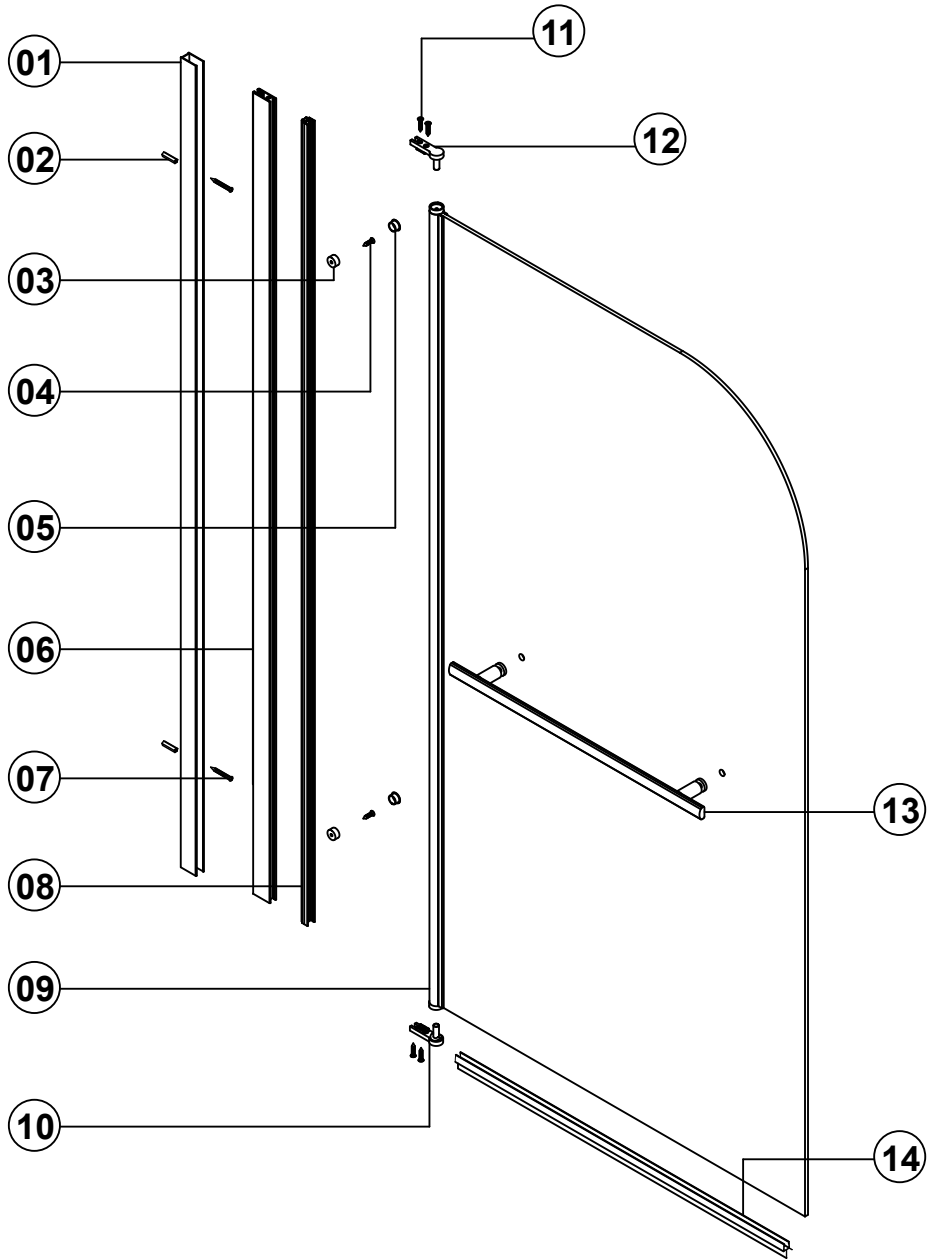
 SPIRIT LEVEL	 POWER DRILL	 PENCIL	 SILICONE	 MALLET
 TAPE MEASURE	 SCREW DRIVER	 6mm&3mm(1/4" & 1/8") DRILL*BITS	 HACKSAW	 SAFETY GLASSES

\*\*Use a 6mm(?) drill bit for ceramic when drilling into ceramic tiles

## CHOOSE A CONFIGURATION

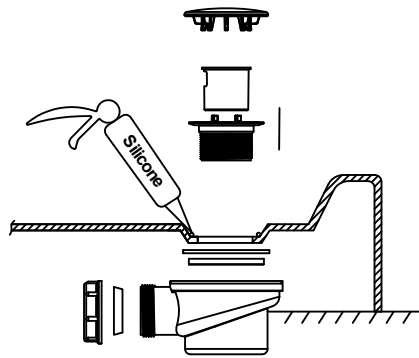
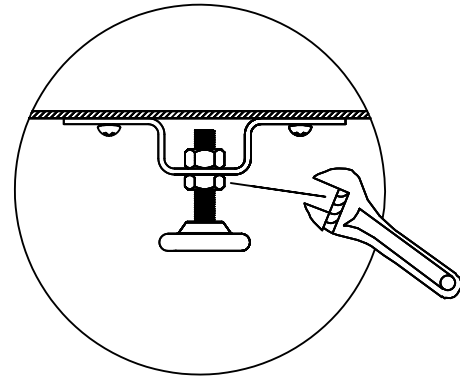
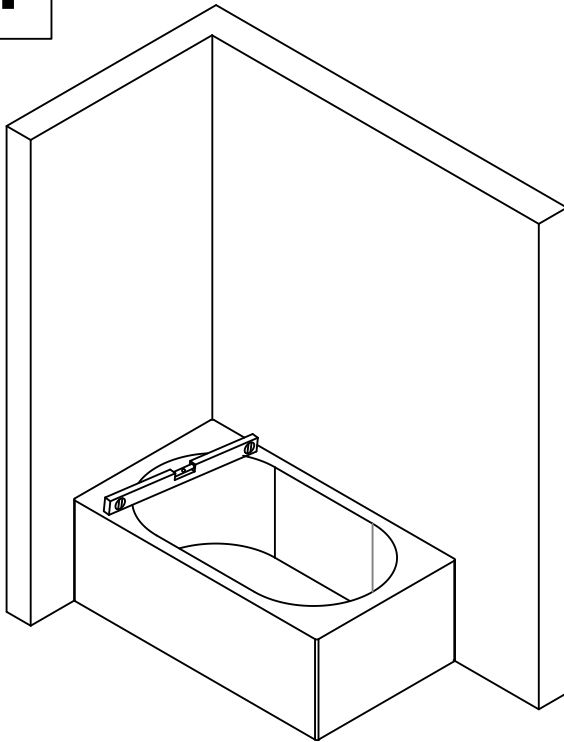


## PARTS LISTING

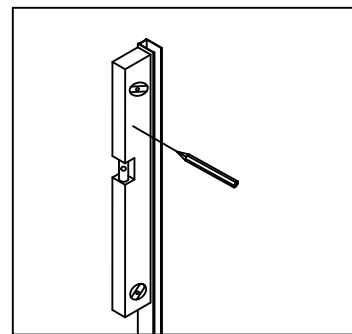
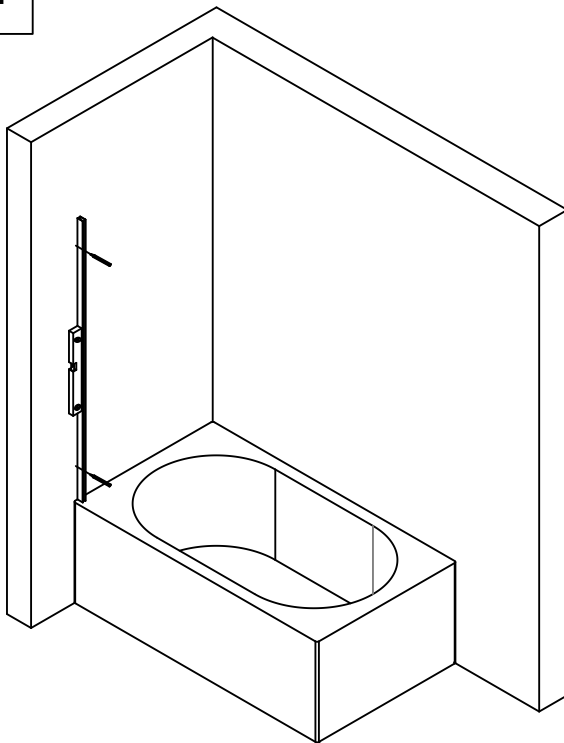


ITEM	PARTS	DIAGRAM	QTY	ITEM	PARTS	DIAGRAM	QTY
1	Wall materials		1	10	Lifting shaft seat		1
2	Expanded rubber particles		4	11	ST M4*20		4
3	Buckle cover		2	12	Rotary shaft seat		1
4	ST M4*12		2	13	Handle		1
5	Decorative cover		2	14	Waterproof adhesive strip		1
6	Edge material		1	15			
7	ST M4*30		4	16			
8	Waterproof adhesive strip		1	17			
9	Door glass		1	18			

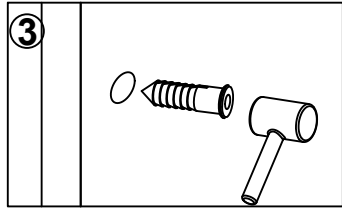
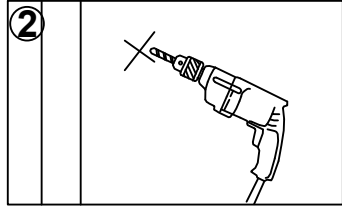
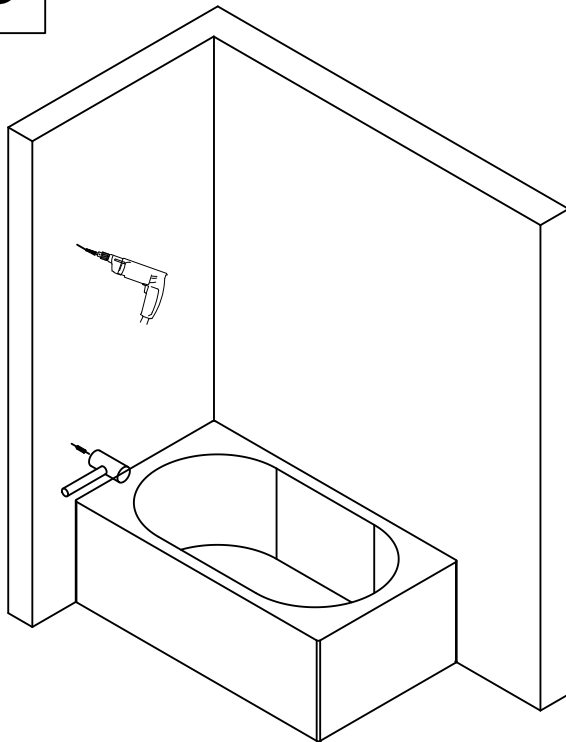
1



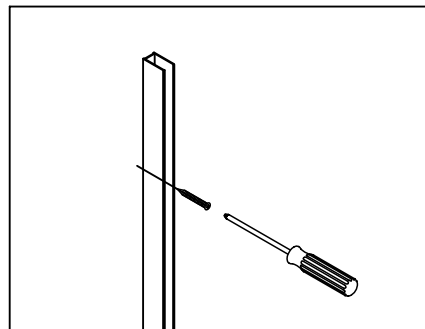
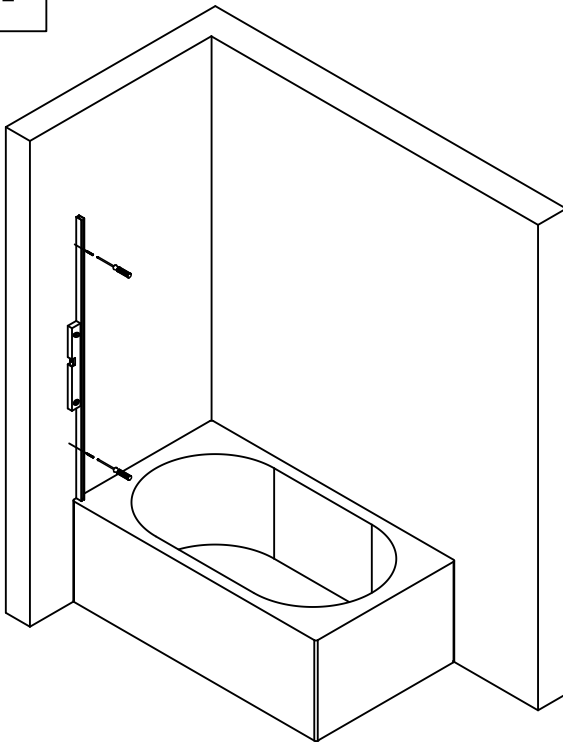
2



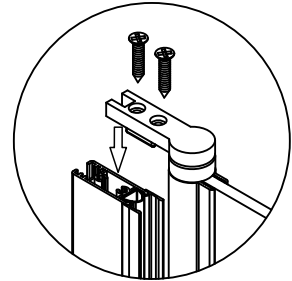
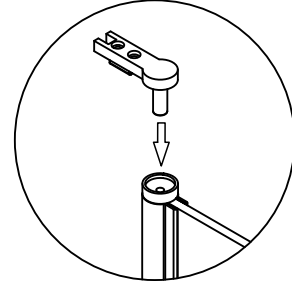
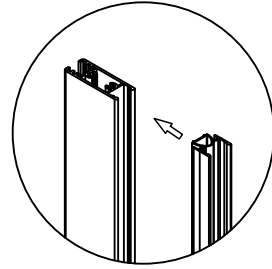
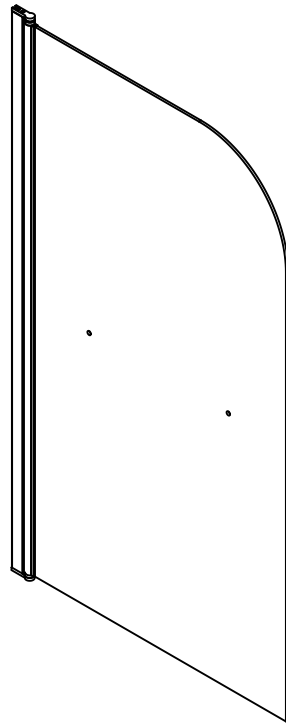
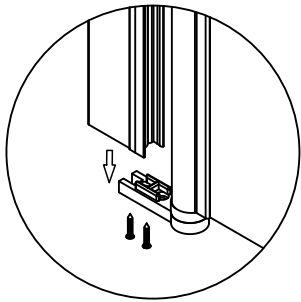
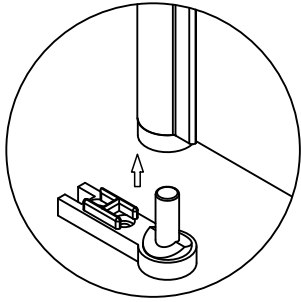
**3**



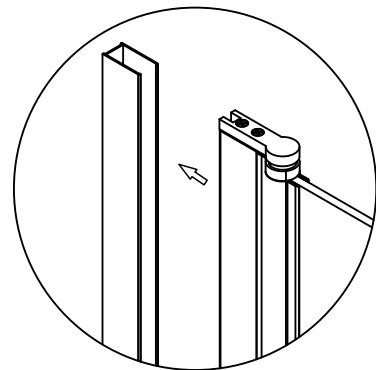
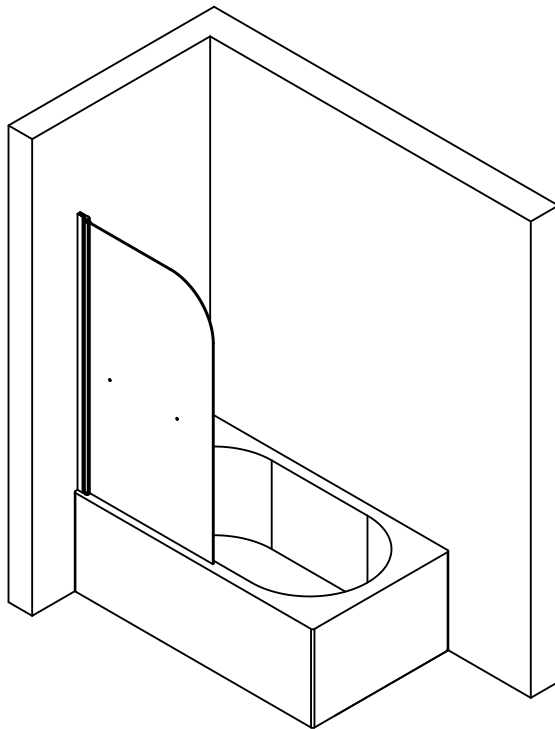
**4**



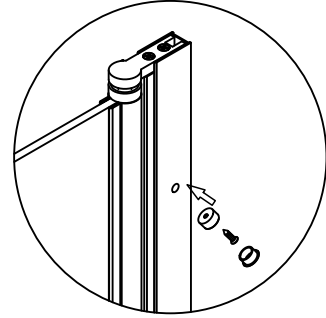
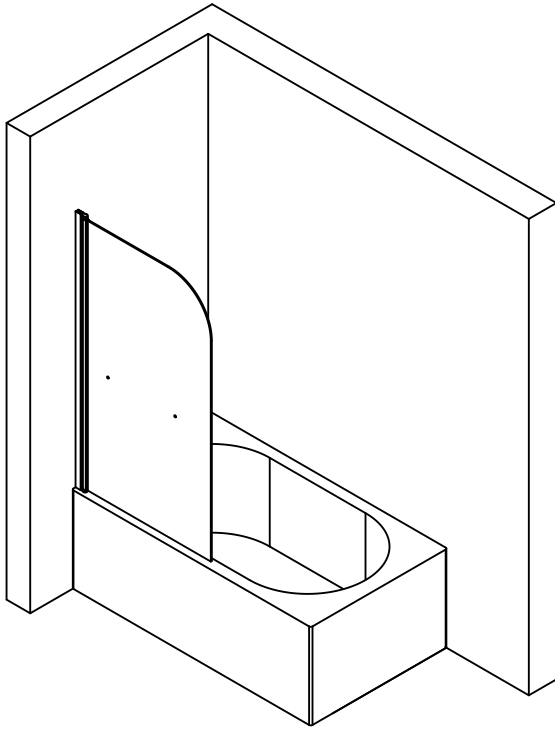
5



6



7



8

