
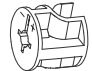

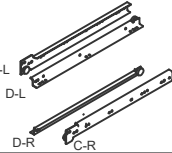



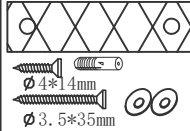


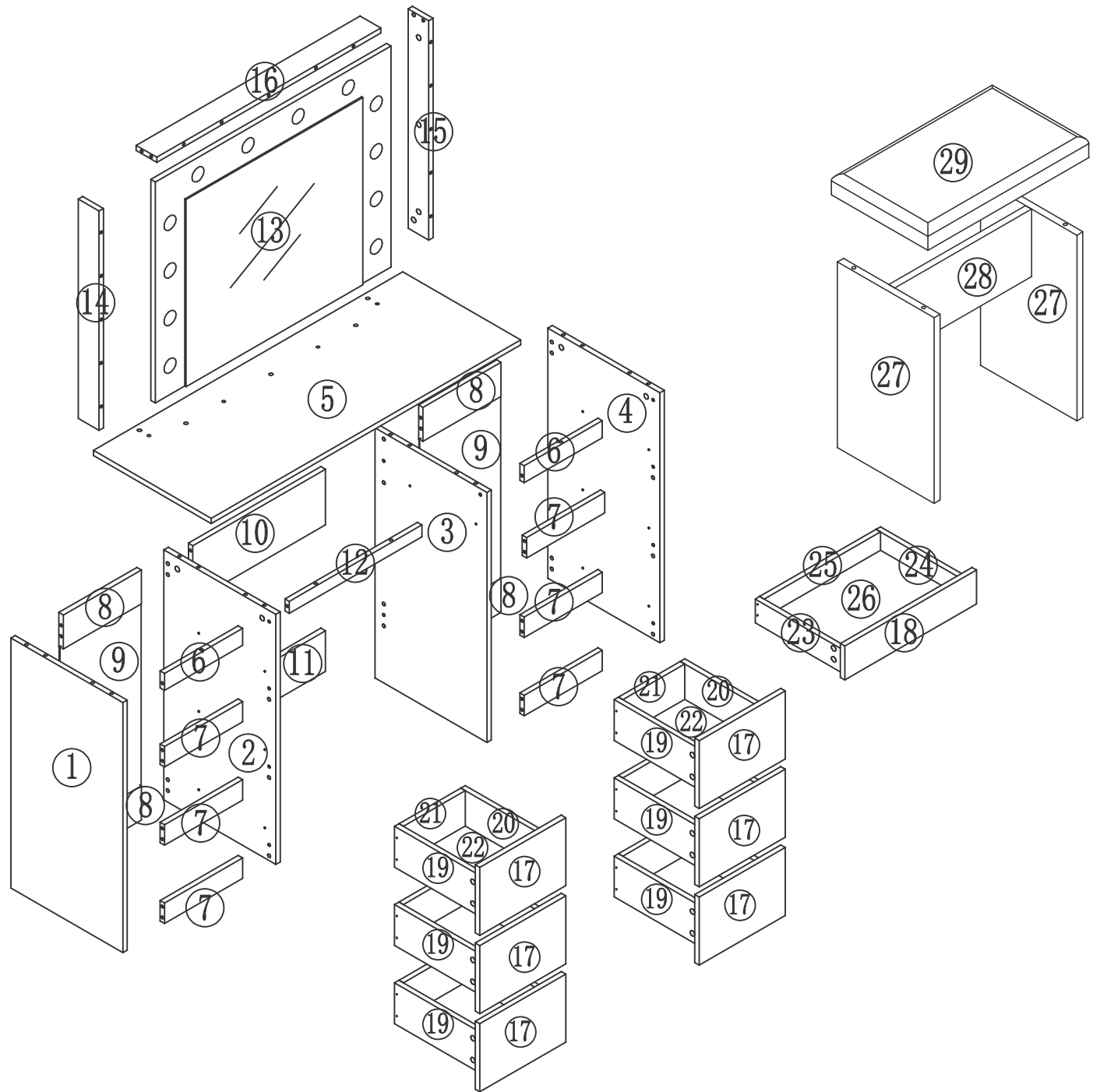
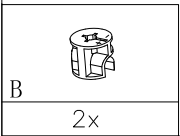
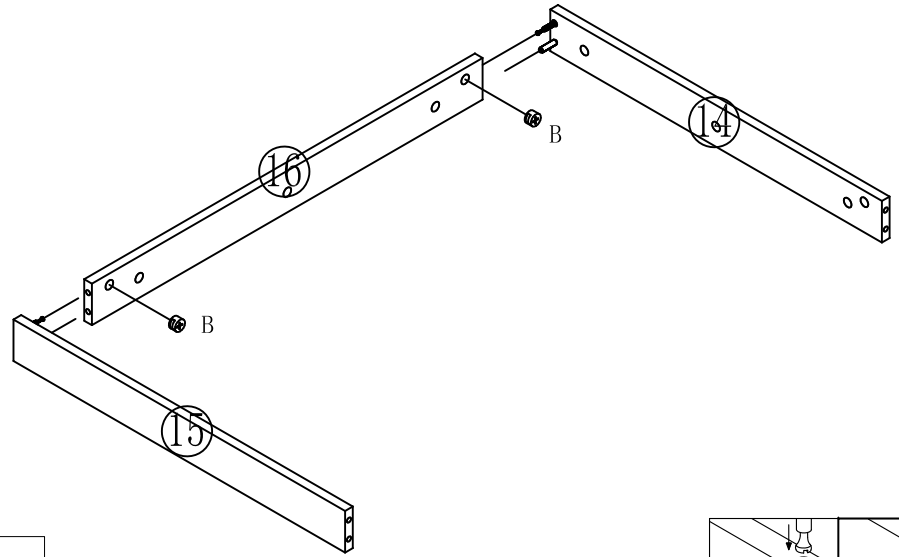


K×4

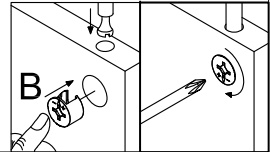
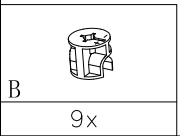
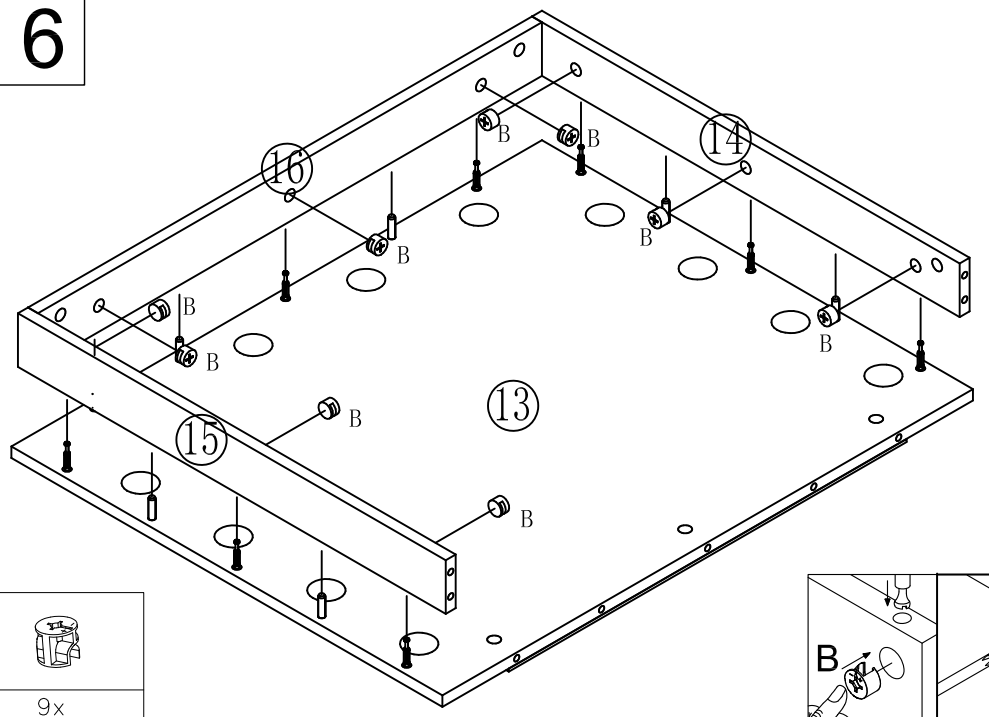
		 8x40	 C-L D-L D-R C-R	 4x14	 3.5x35		 $\phi 4 \times 14$ mm $\phi 3.5 \times 35$ mm		
A×92	B×92	C×46	D×7	E×56	F×32	G×12	H×2	I×1	J×8



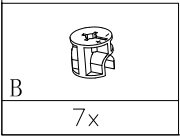
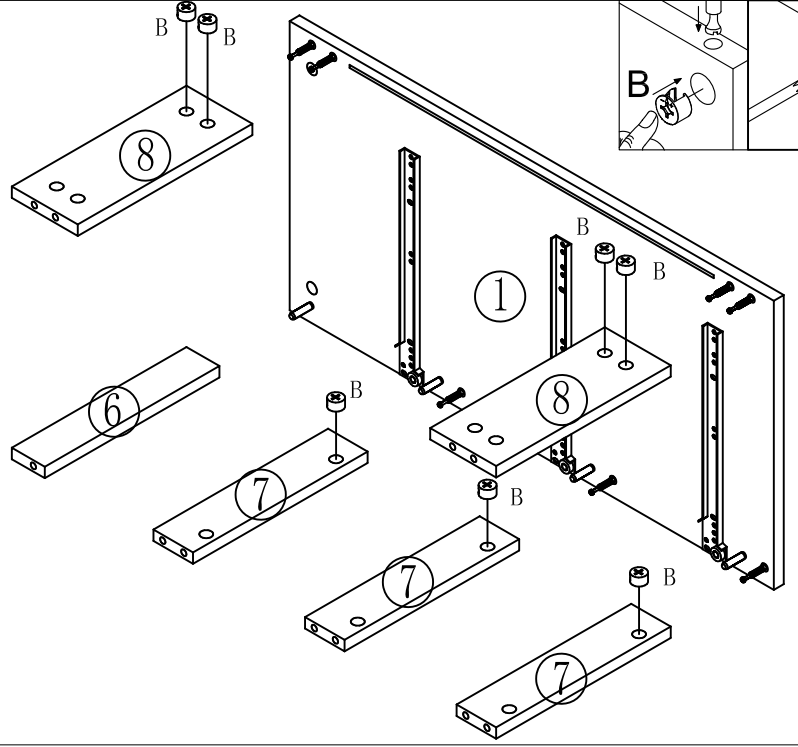
5



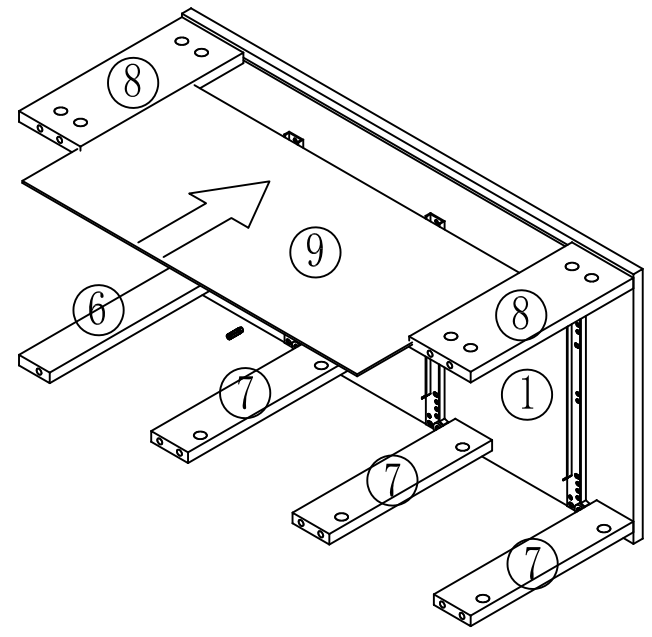
6



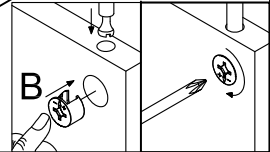
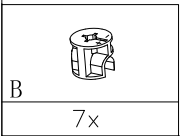
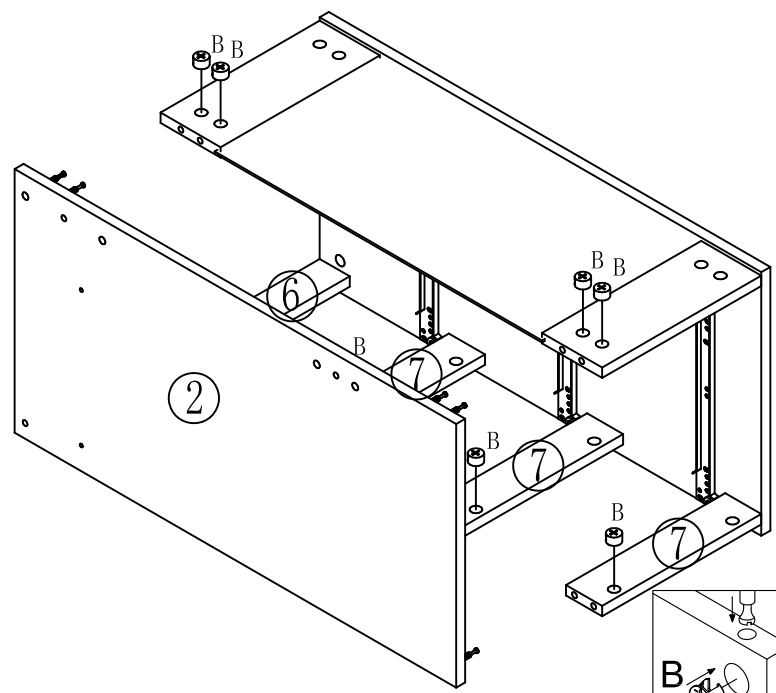
7



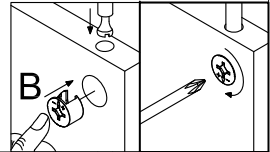
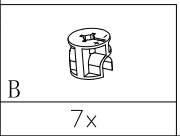
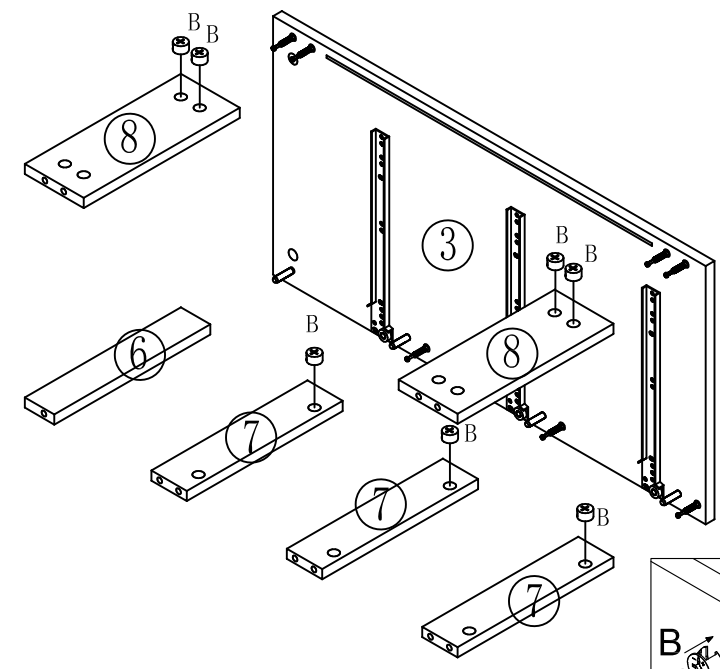
8



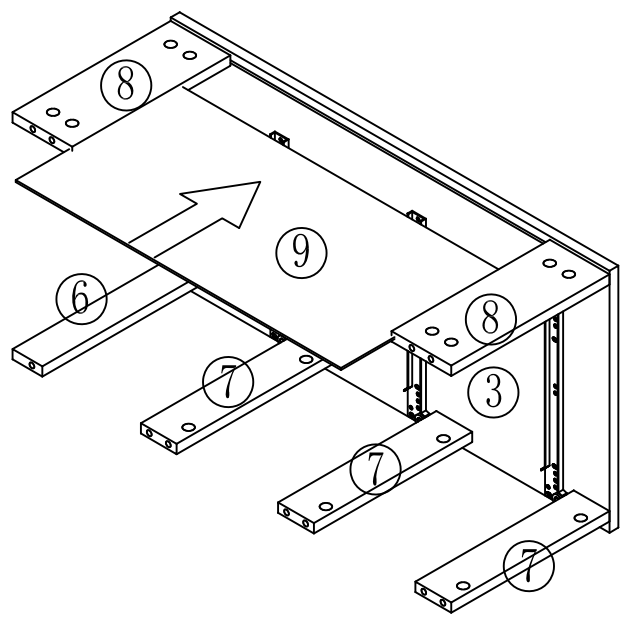
9



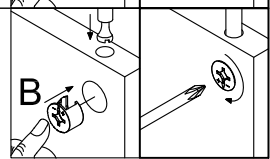
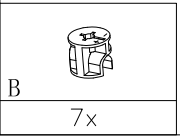
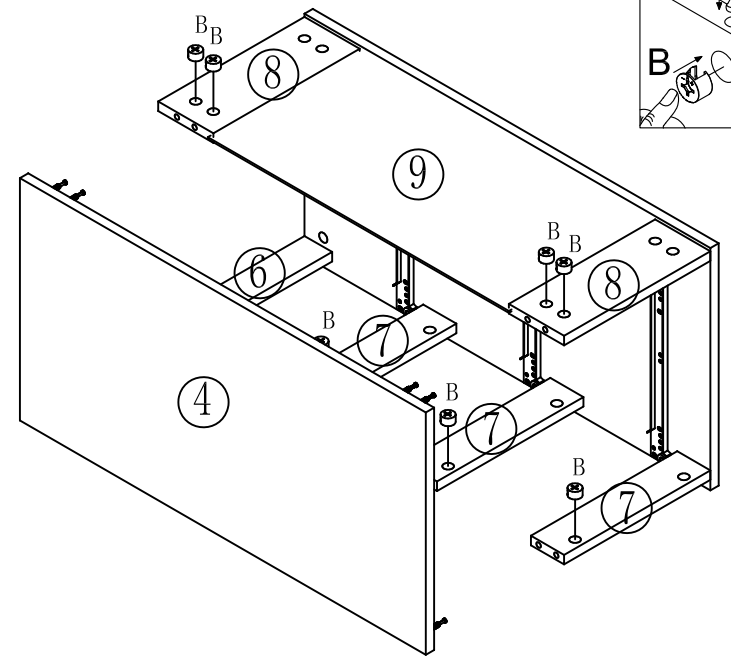
10



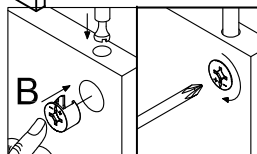
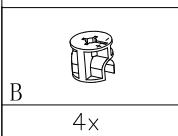
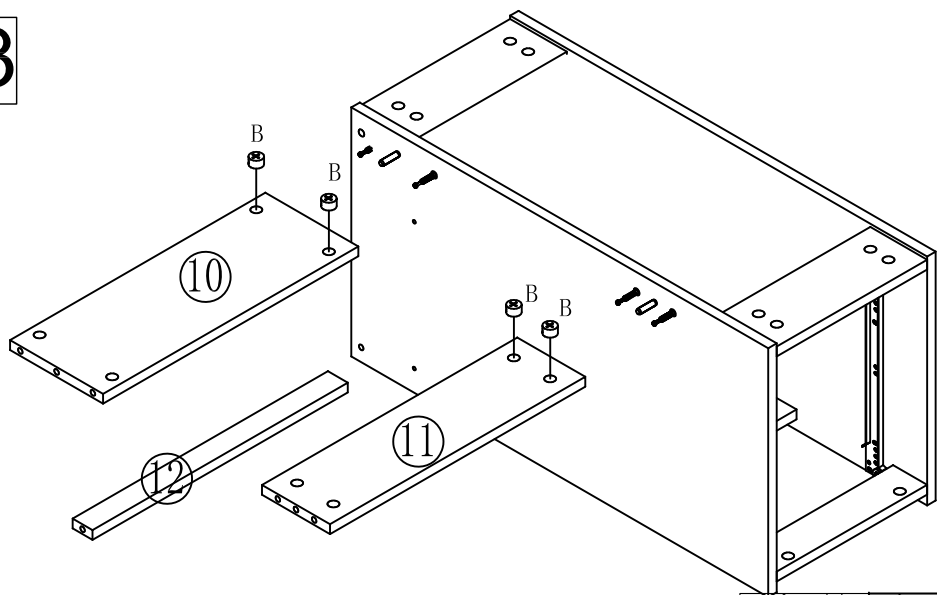
11



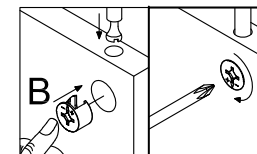
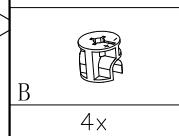
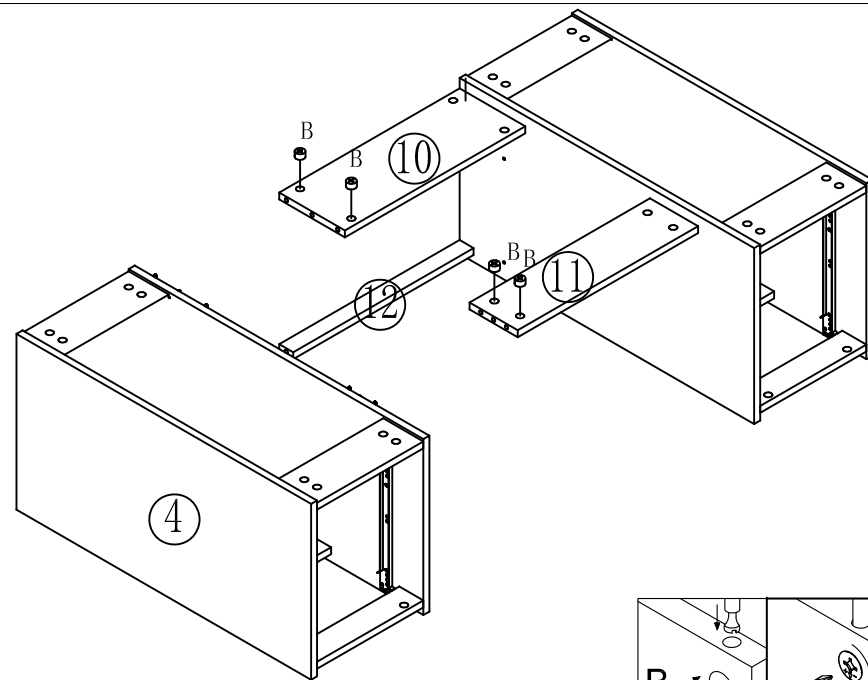
12



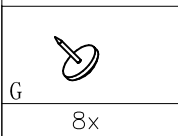
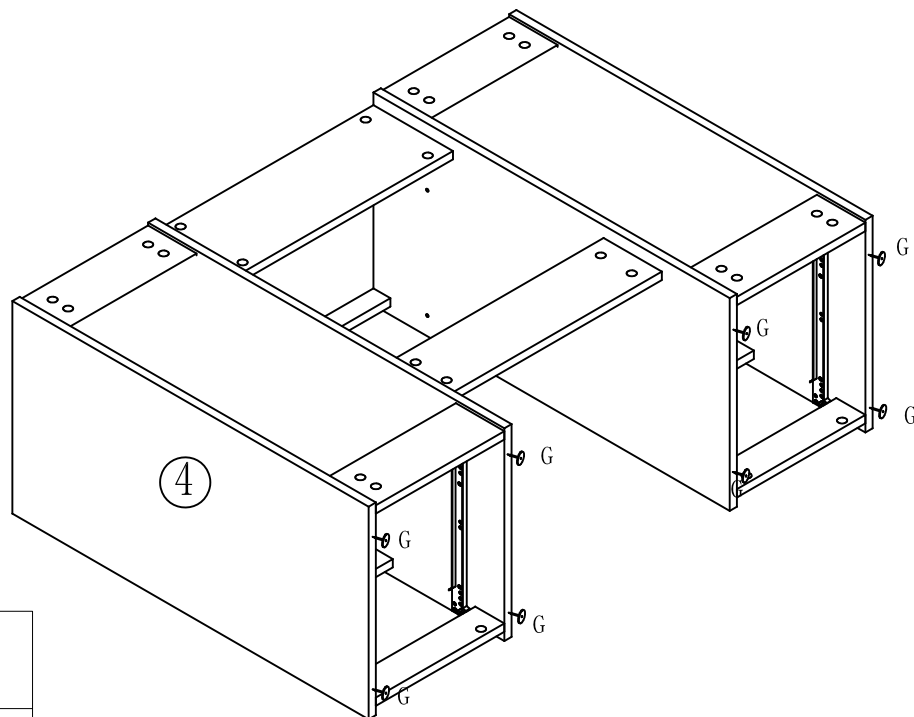
13



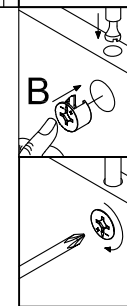
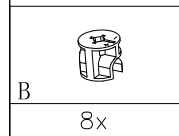
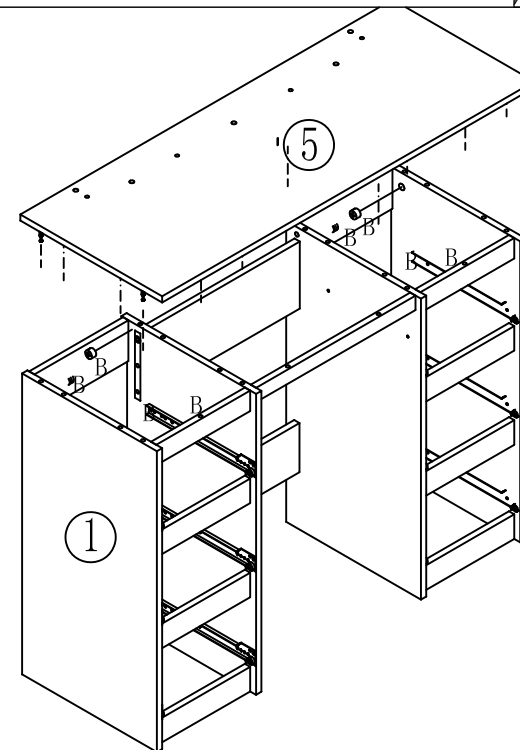
14



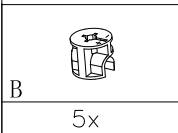
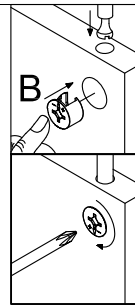
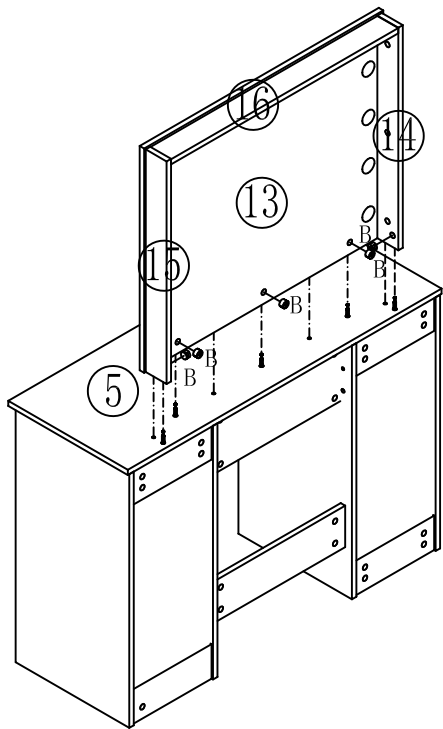
15



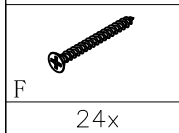
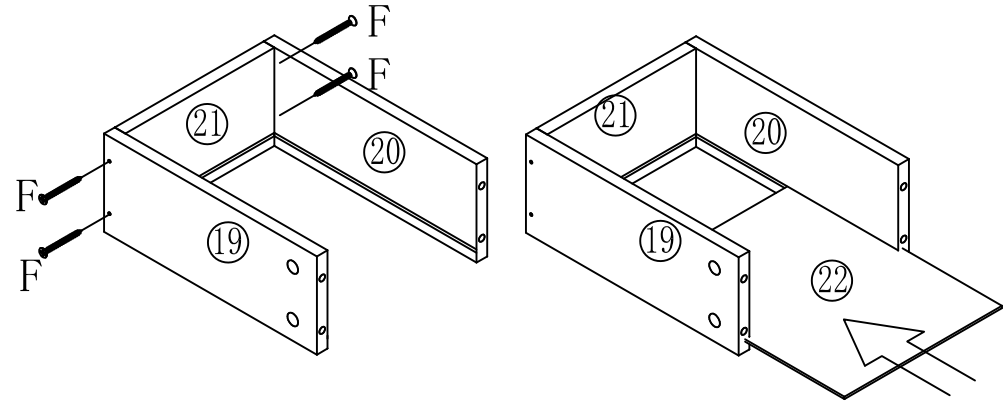
16



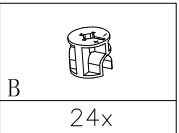
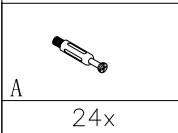
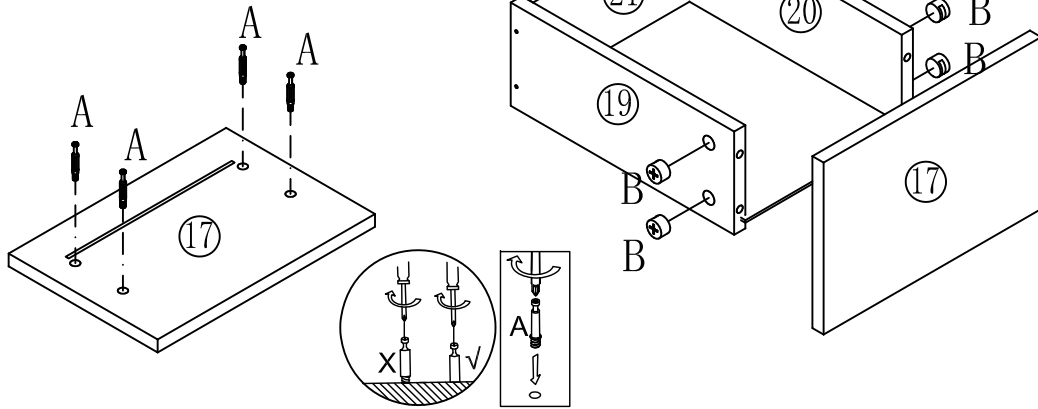
17



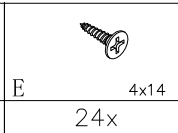
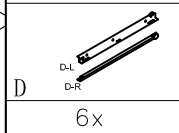
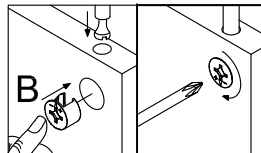
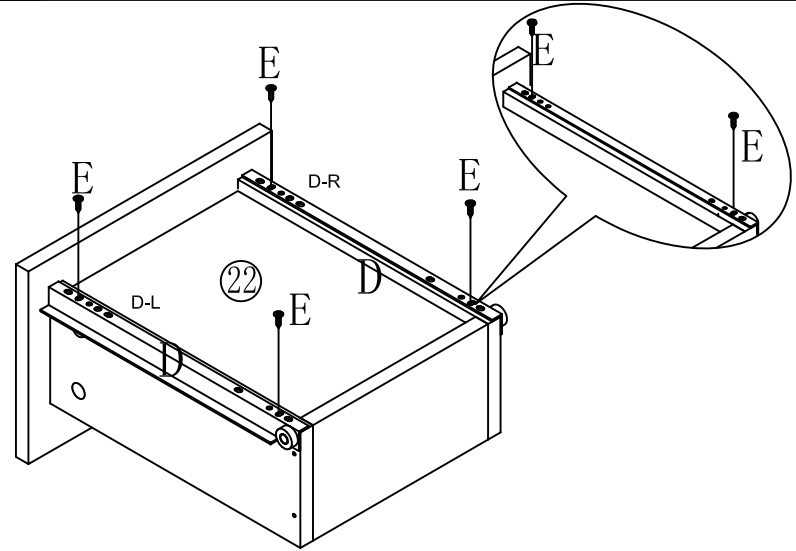
18



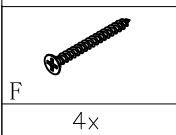
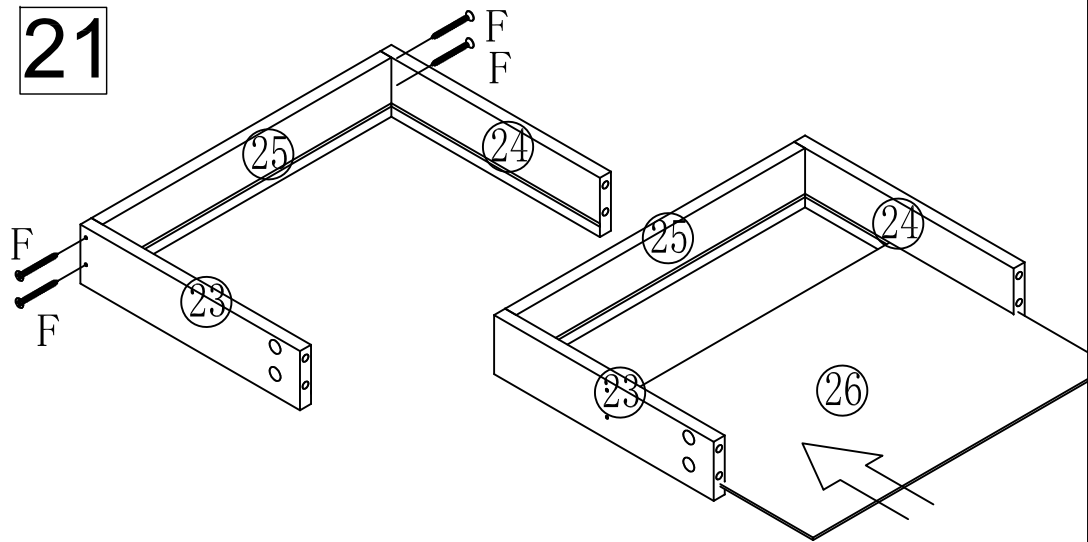
19



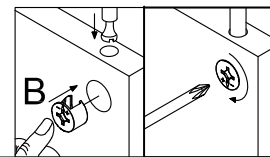
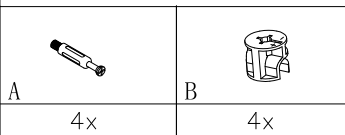
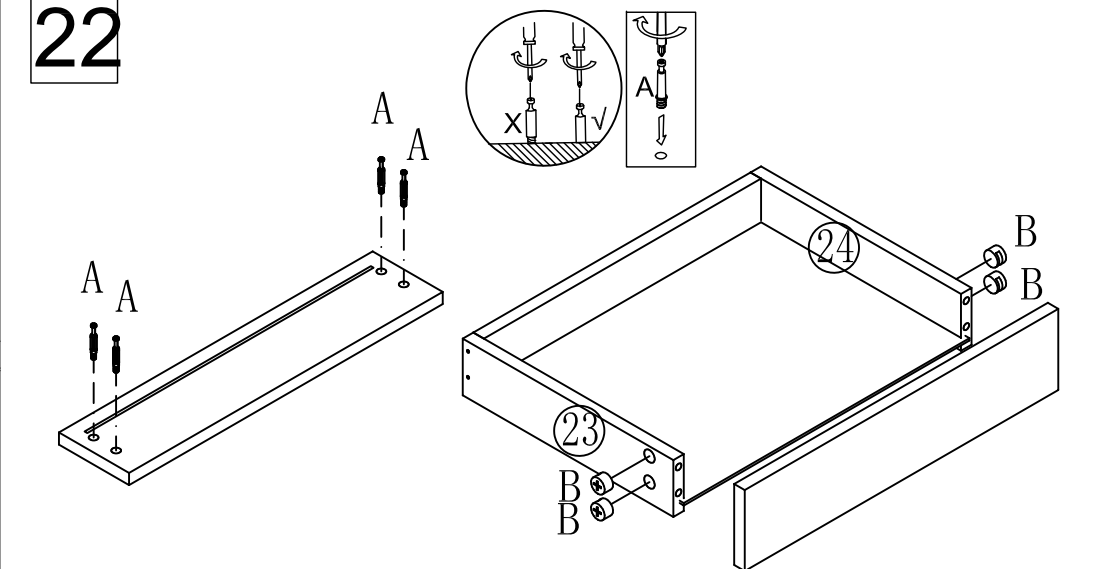
20



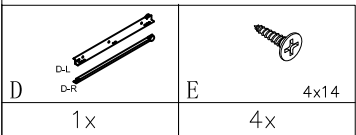
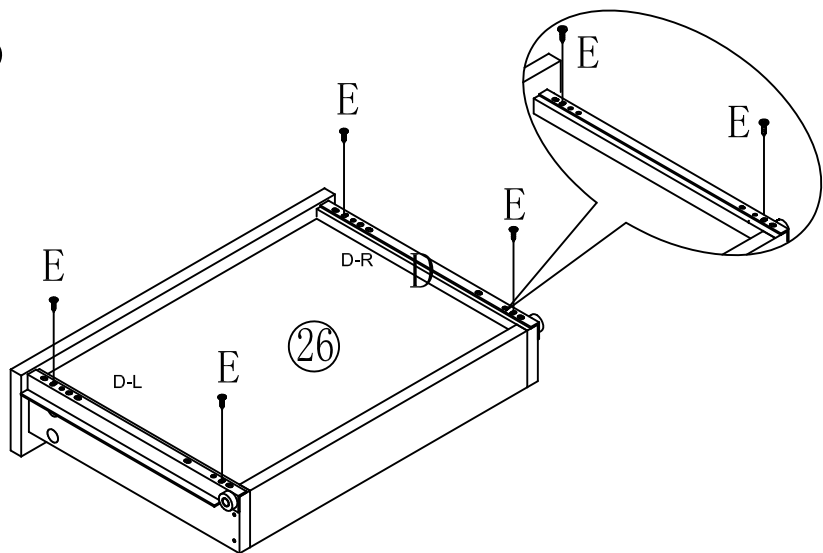
21



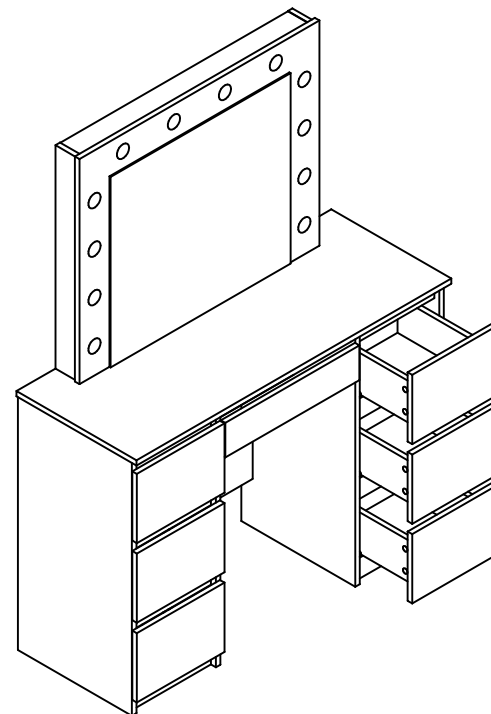
22



23

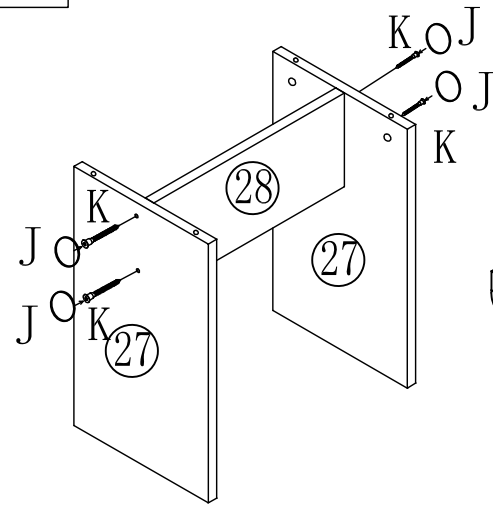


24

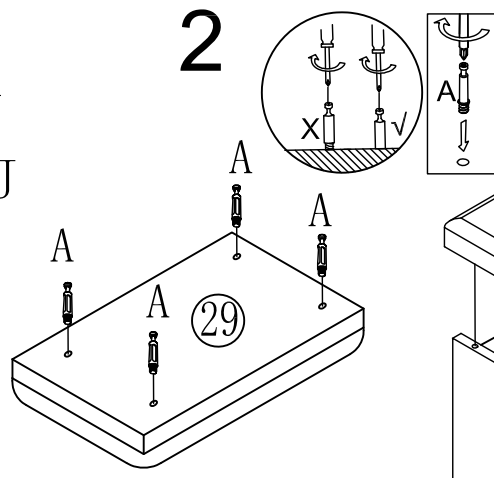


25

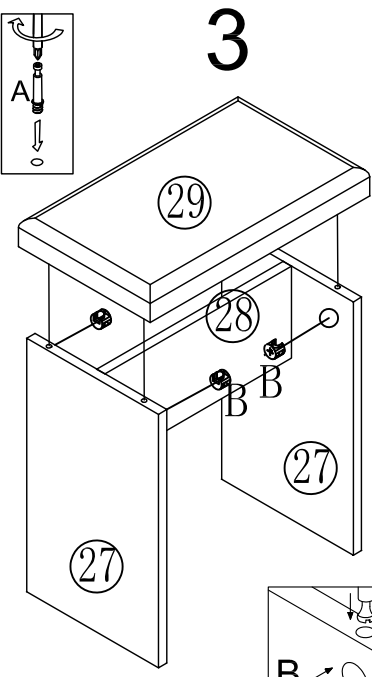
1



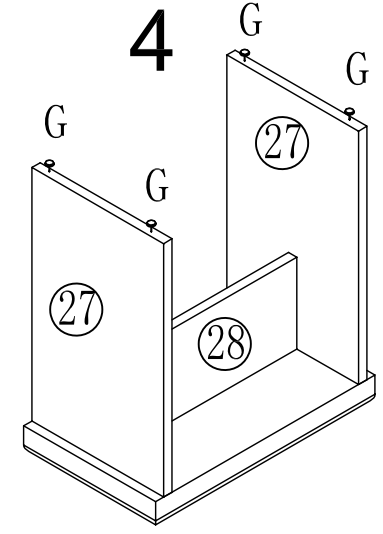
2








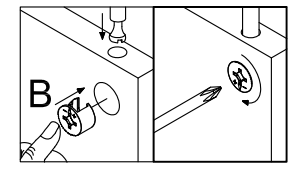
3



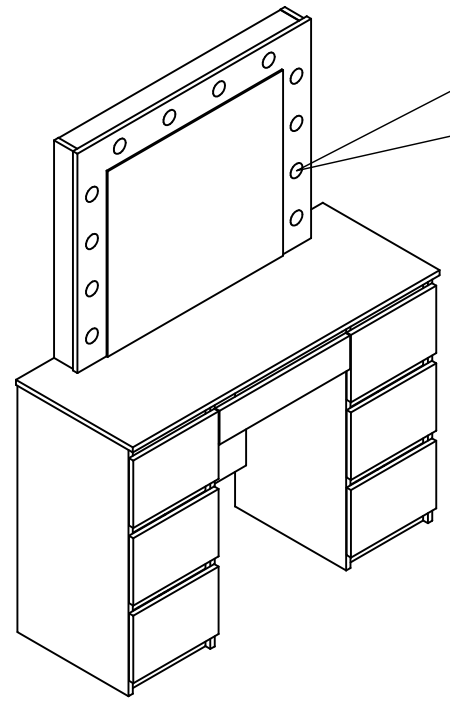
4



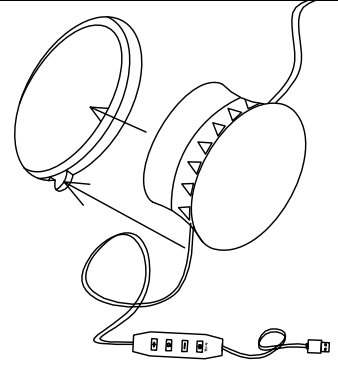
				
K 4x	J 8x	A 4x	B 4x	G 4x



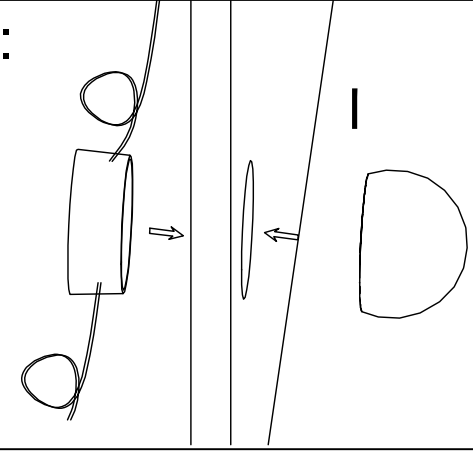
26



a:

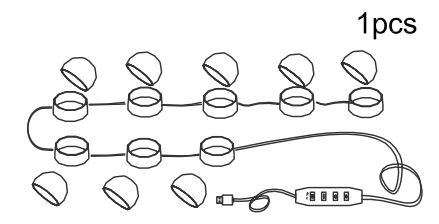


b:

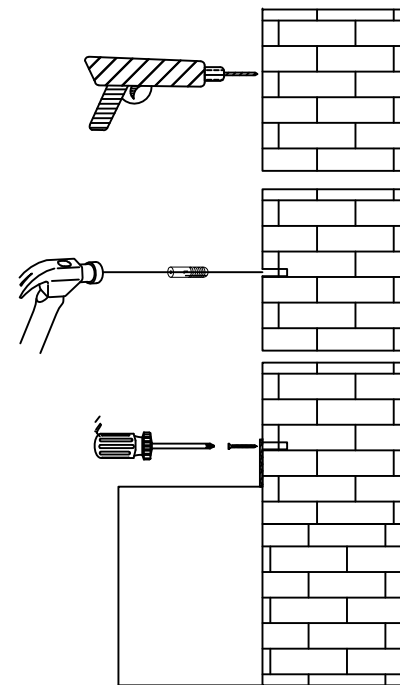
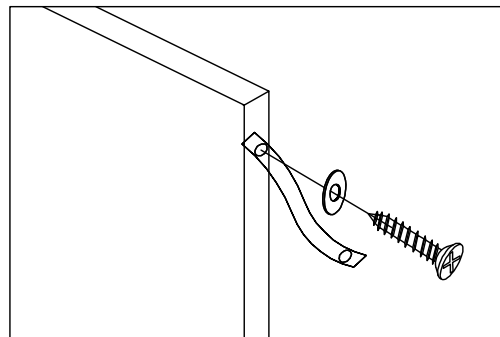
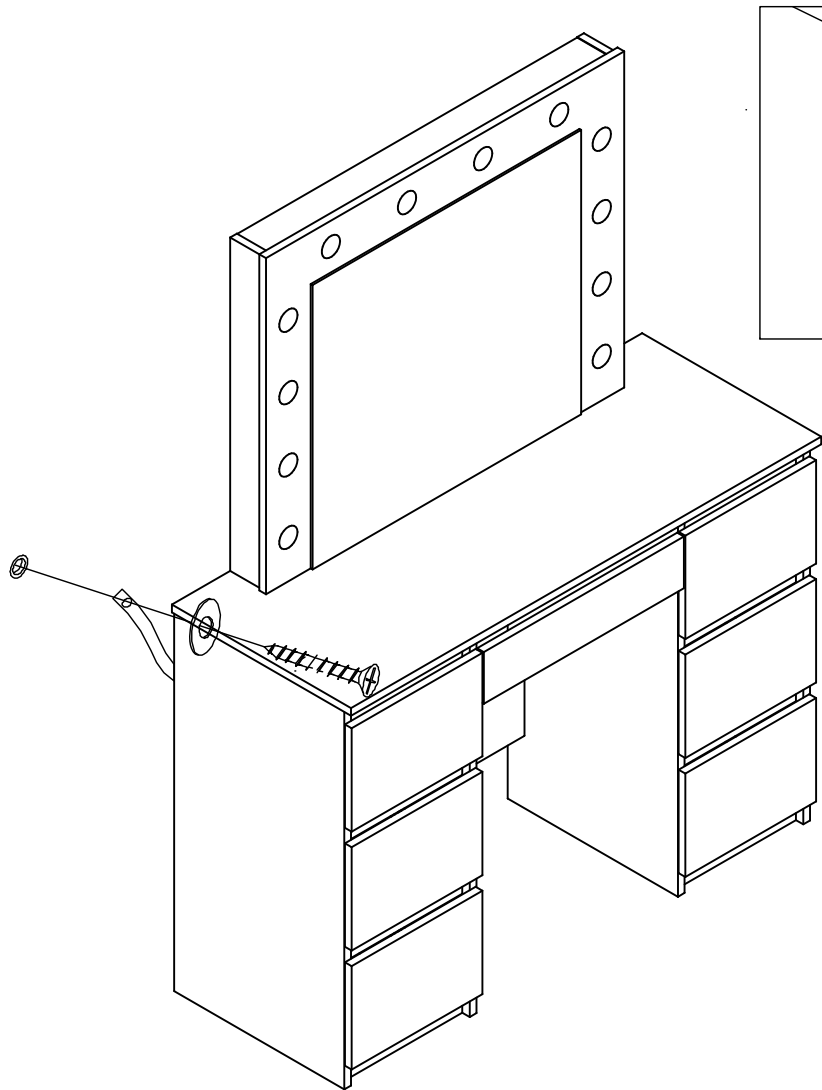


Please adjust the distance between the bulb and the bulb before installation

l



27



$\phi 4 \times 14\text{mm}$
$\phi 3.5 \times 35\text{mm}$
H × 2