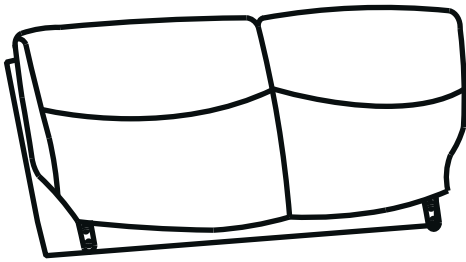


# ASSEMBLY INSTRUCTION

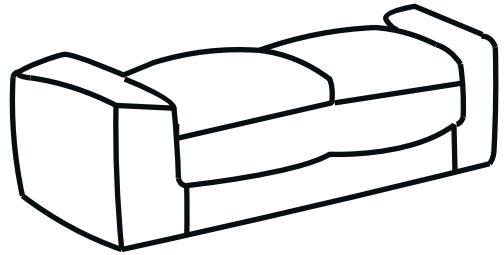
## EATER LOVESEAT

**NOTE: Do not use power tools for assembly. Power tools increase the risk of over tightening which lead to splitting or cracking the wood.**

### COMPONENT LIST



**(A) BACK REST \*1**



**(B) SEAT\*1**



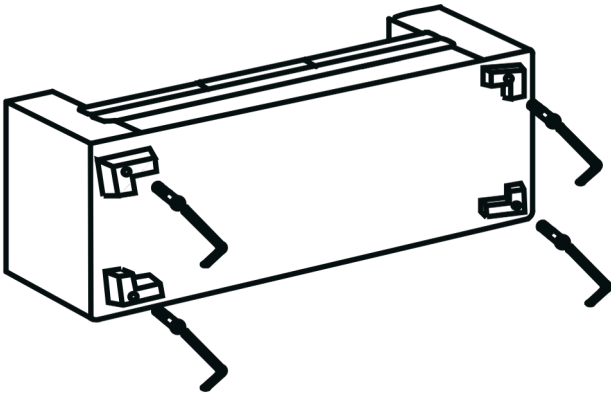
**(C) ARM REST \*2**

PARTS LIST		
Description	Drawings	Quantity
Feet		4pcs
Screw		4pcs
s		4pcs
Washer		1pcs

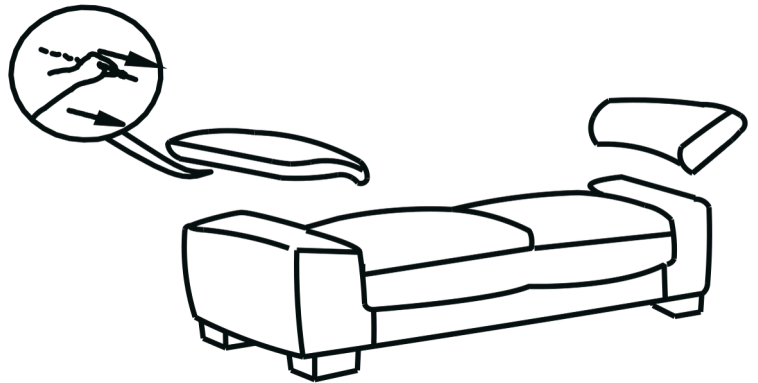
**(D) PART LIST**

## ASSEMBLY STEPS

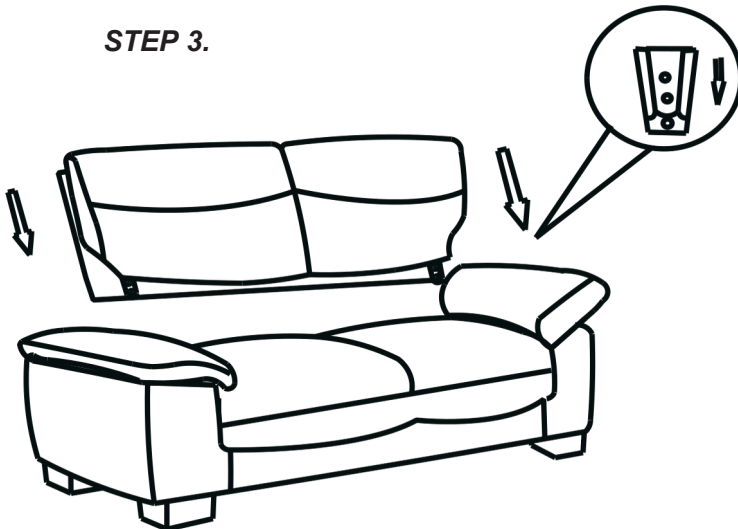
STEP 1.



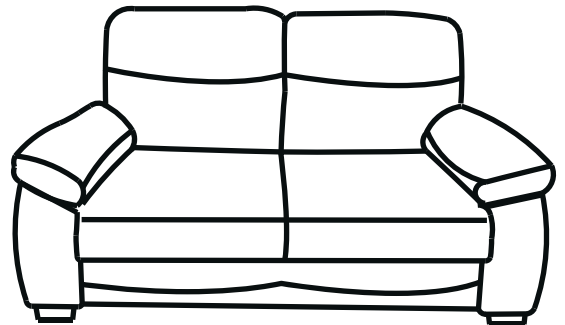
STEP 2.



STEP 3.



STEP 4.



## CARE INSTRUCTION FOR PU FURNITURE

- Avoid exposing furniture directly to sunlight or heating and air conditioning outlets. Exposure to sunlight or heating and air conditioning outlets will fade/damage PU/Fabric
- Wipe gently with a damp soft cloth to remove dust, dirt and any grime buildup.
- Dry the PU match/Fabric with a dry soft cloth.
- Rub the PU/Fabric match with professional cleanser.