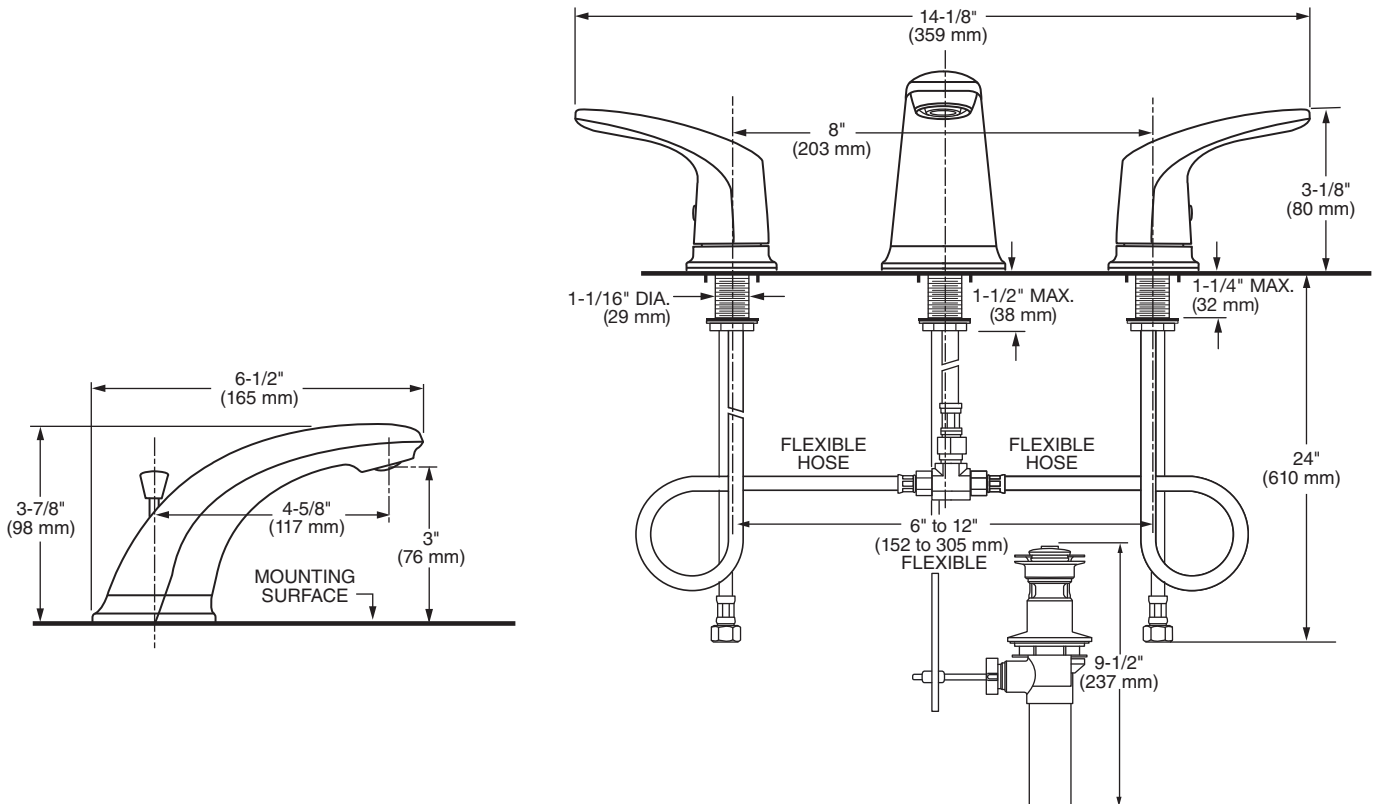


7075.800 Shown

MODEL NUMBER:

- ❑ **7075.800 Widespread Lavatory Faucet**
Metal Lever handles. Metal pop-up drain.
- ❑ **7075.802 Centerset Lavatory Faucet**
Metal lever handles. 50/50 Pop-up drain.



GENERAL DESCRIPTION:

Flexible hose connections for 6" to 12" (152 mm to 305mm) installations. 1/4 turn washerless ceramic disc valve cartridges. Metal spout. Inlet shanks and 24" stainless steel braided flexible supply hoses with 3/8" compression connectors. 1.2 gpm/4.5 L/min. maximum flow rate.

PRODUCT FEATURES:

Ceramic Disc Valve Cartridge: Assures a lifetime of drip-free performance.

Exclusive Speed Connect Mounting System: Handles and hoses are pre-assembled. No assembly required.

Lead Free: Faucet contains ≤ 0.25% total lead content by weighted average.



SUGGESTED SPECIFICATION

Two-handle widespread lavatory faucet shall feature flexible hose connections for 6" to 12" installations. Shall also feature 1/4 turn washerless ceramic disc valve cartridges. Fitting shall be American Standard Model #7075 .8 _____.

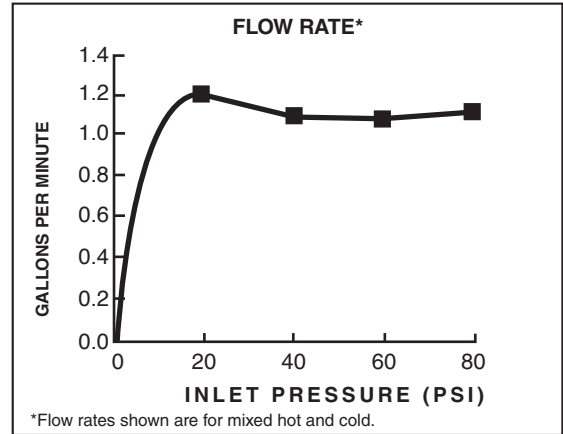


COLONY® PRO
TWO-HANDLE WIDESPREAD LAVATORY FAUCET
WITH LEVER HANDLES

CODES AND STANDARDS

These products meet or exceed the following codes and standards:

- ANSI A117.1**
- ASME A112.18.1**
- CSA B125.1**
- NSF 61/Section 9**
- NSF 372**



Product Number	Description	ADA	Finish Options		
			Polished Chrome	Legacy Bronze	PVD Brushed Nickel
			002	278	295
7075.800	Colony PRO Two-Handle Widespread. Metal Lever handles. Metal pop-up drain.	ADA			
7075.802	Colony PRO Two-Handle Widespread. Metal Lever handles. 50/50 pop-up drain.	ADA			

Meets the American Disabilities Act Guidelines and **ANSI A117.1** Requirements for the physically challenged.