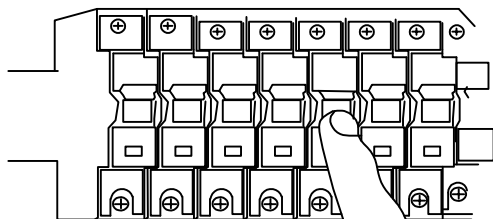


Installation sequence

1

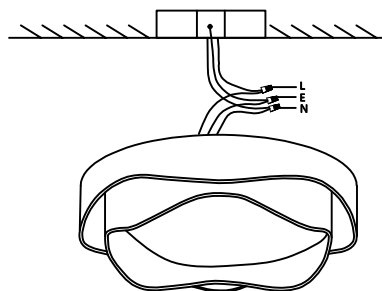


OFF

STEPS

Turn off the power

2

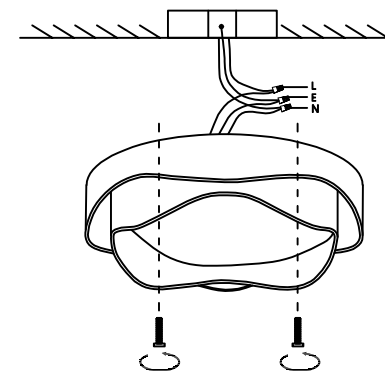


black L
white N
Earth E

STEPS

1. Connect the power cord of the lamp body to the reserved Power cord, pay attention to the positive and negative poles
2. Turn on the power and check if the light doesn't work. if the light doesn't work, please contact customer service.

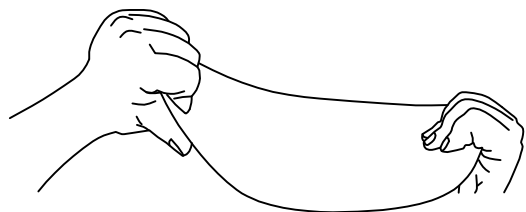
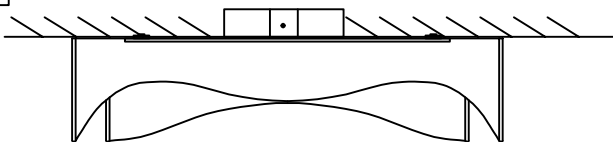
3



STEPS

Lift the ceiling plate of the whole lamp to the hole of the hanging plate, and fix it with screws

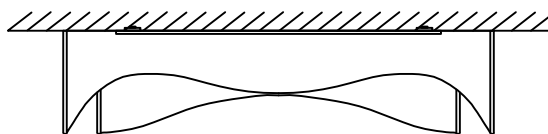
4



STEPS

1. Take out the lampshade from the package
2. Rotate the lampshade clockwise with both hands. Put into the lamp body

5



STEPS

The installation is complete

5 5000K/6000K

Advertencia:

1. Voltage: 110-135V ~60Hz
2. For indoor use only
3. Please, professional installation to avoid the risk of electric shock
4. Before installation, check whether the accessories are complete, if there is not enough, please contact customer service in time for replacement
5. Before installation, please cut off the power supply to prevent leakage
6. Please be sure to install according to the company's installation instructions,