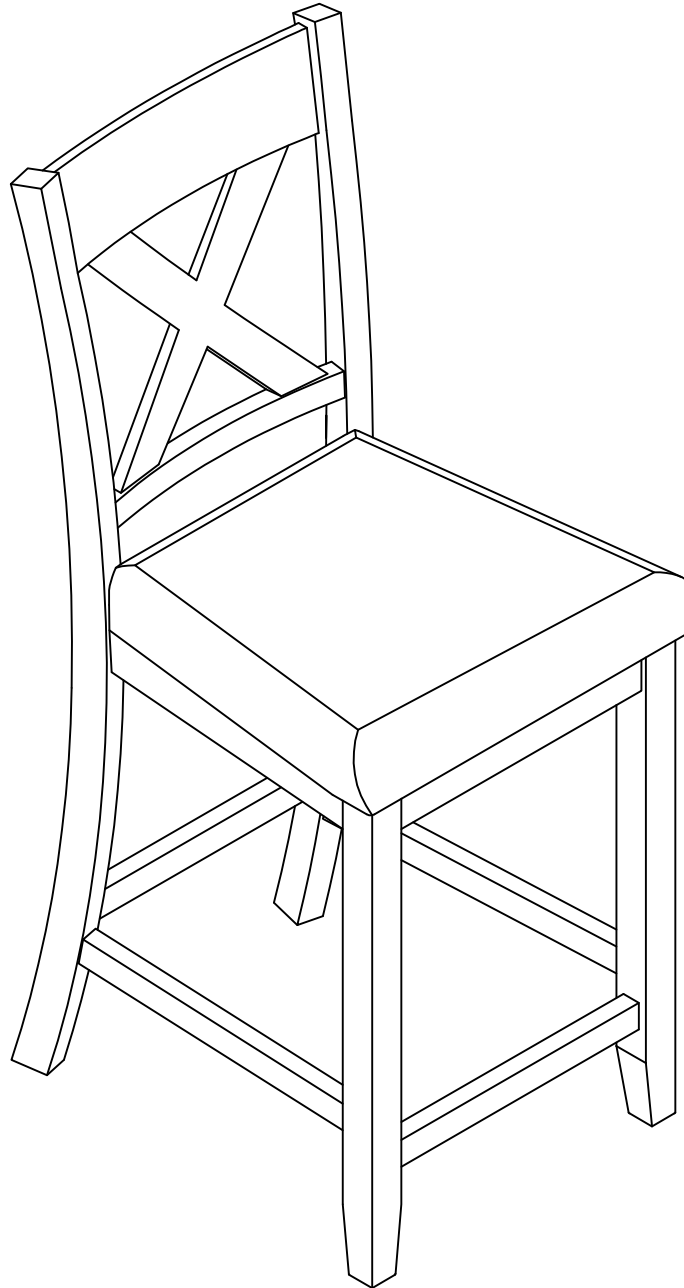


ASSEMBLY INSTRUCTIONS

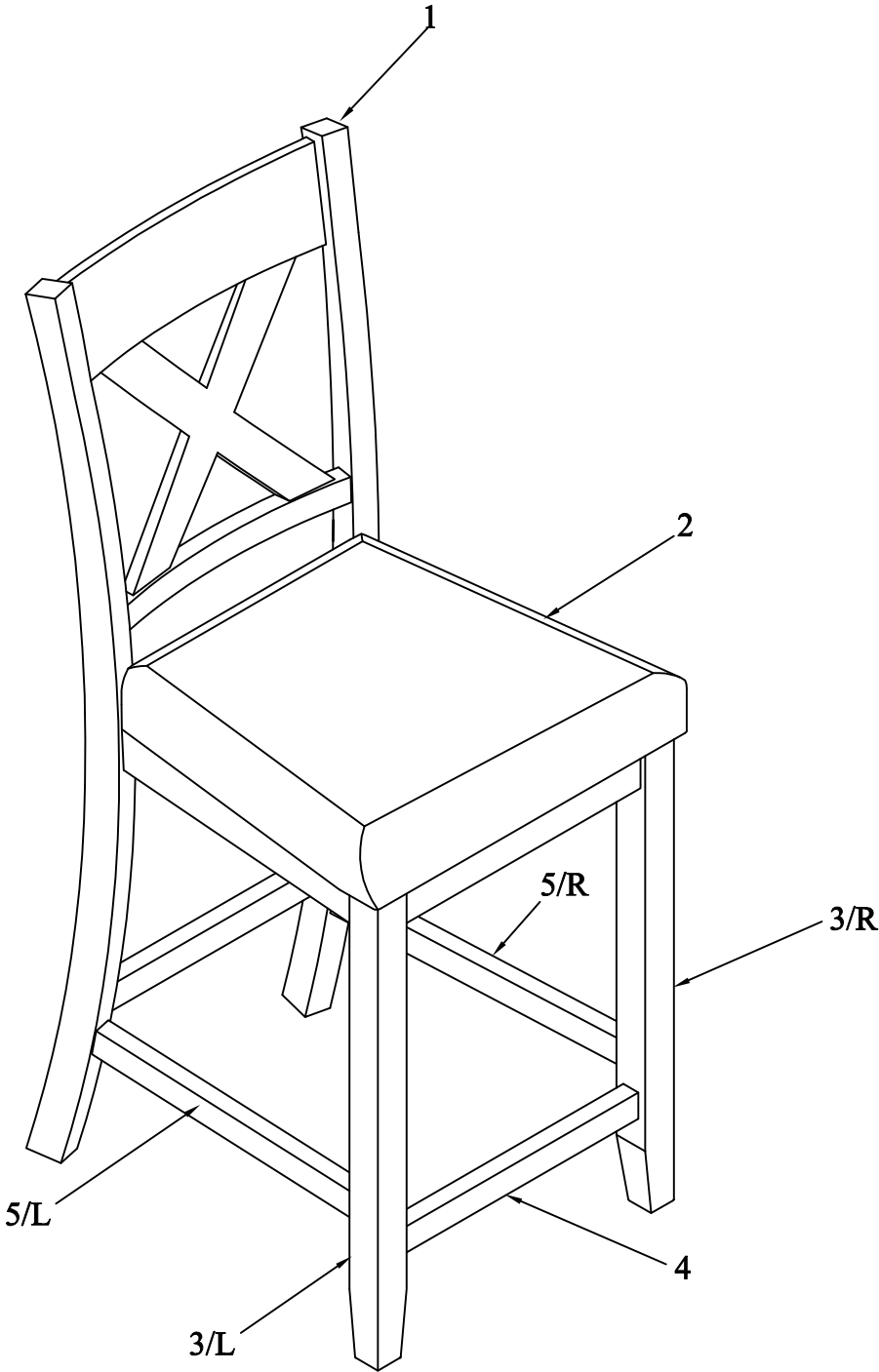
ITEM NO. FB3059HAY-BK-PC-4PK



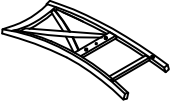
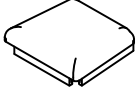
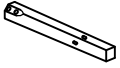

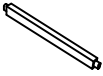
ASSEMBLY TIPS:

1. Remove hardware from box and sort by size.
2. Please check to see that all hardware and parts are present prior to start of assembly.
3. Please follow attached instructions in the same sequence as numbered to assure fast & easy assembly.








Exploded View



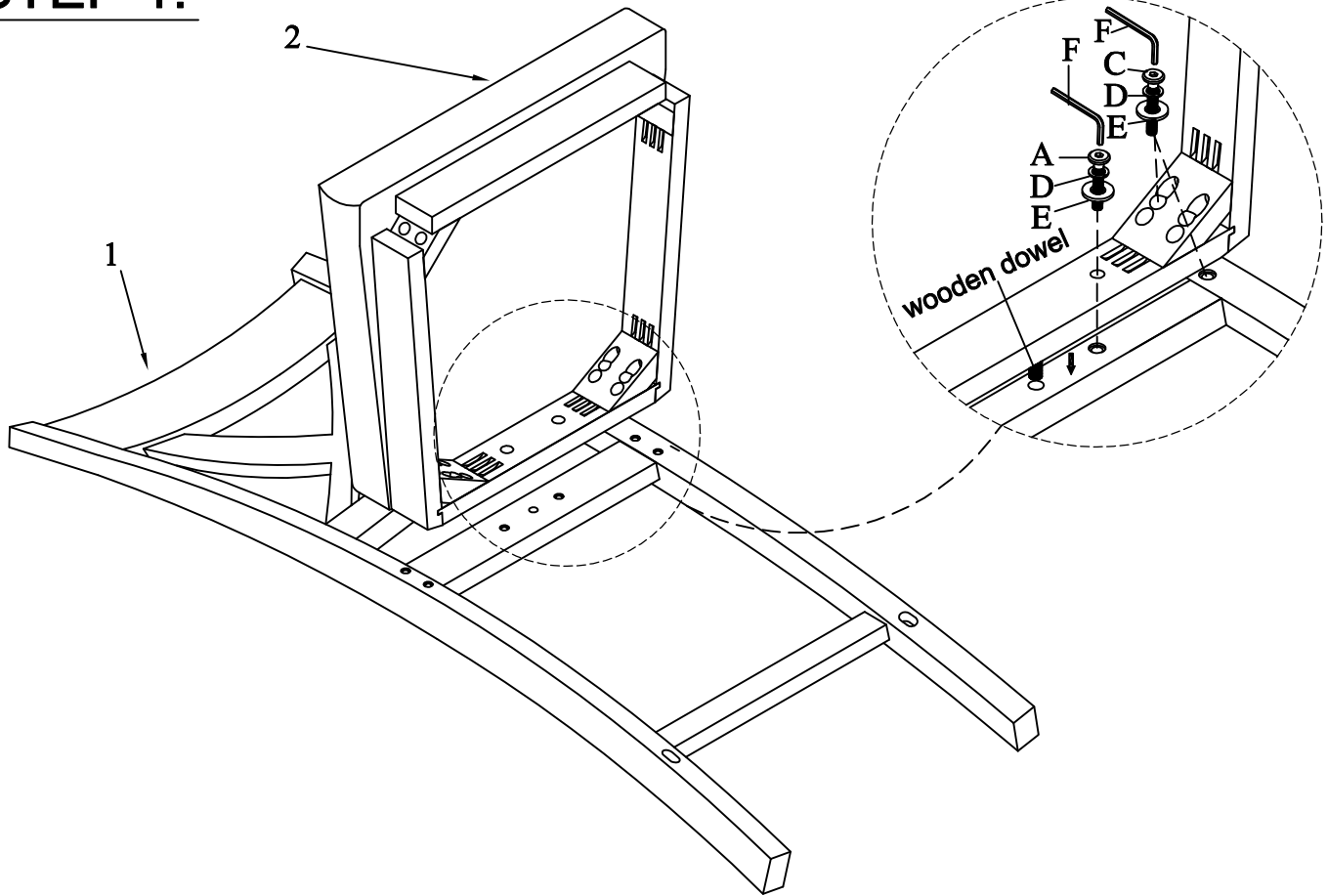
PARTS LIST

NO.	DIAGRAM	PART NAME	Q'Ty
1		CHAIR BACK	1PC
2		SEAT FRAME WITH CUSHION	1PC
3		LEG (LEFT /RIGHT)	2PCS
4		FRONT STRETCHER	1PC
5		SIDE STRETCHERS (LEFT/ RIGHT)	2PCS

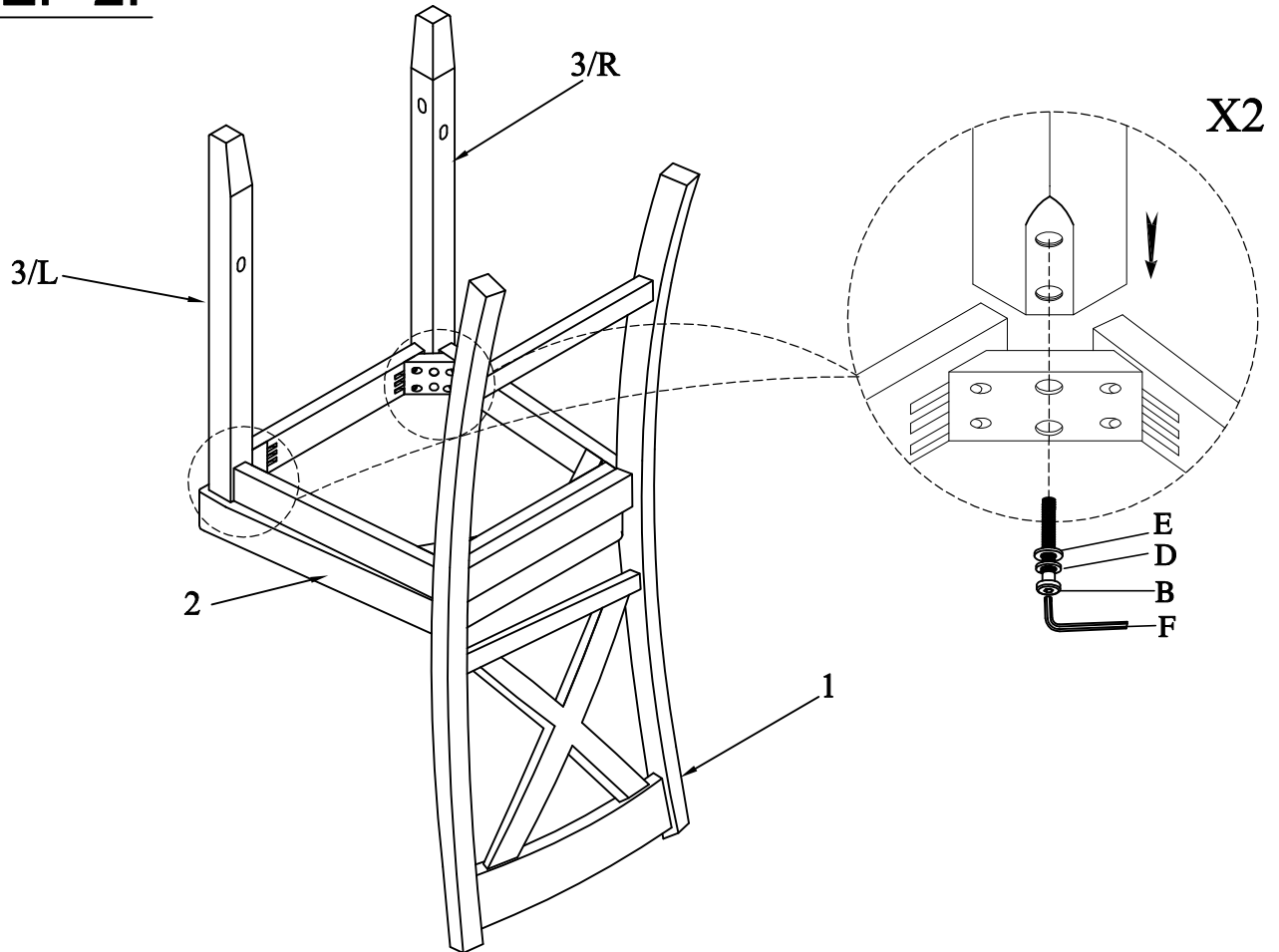
HARDWARE LIST

NO.	DIAGRAM	PART NAME	Q'Ty
A		BOLT / BOULON Ø1/4" x 1-1/2"	2PCS
B		BOLT / BOULON Ø1/4" x 2-3/8"	4PCS
C		BOLT / BOULON Ø1/4" x 3"	4PCS
D		LOCK WASHER Ø1/4"	10PCS
E		FLAT WASHER Ø1/4"x 3/4"	10PCS
F		ALLEN KEY 1/6" x 2-1/4"	1PC
H		SCREW #4x45mm	6PCS

STEP 1:

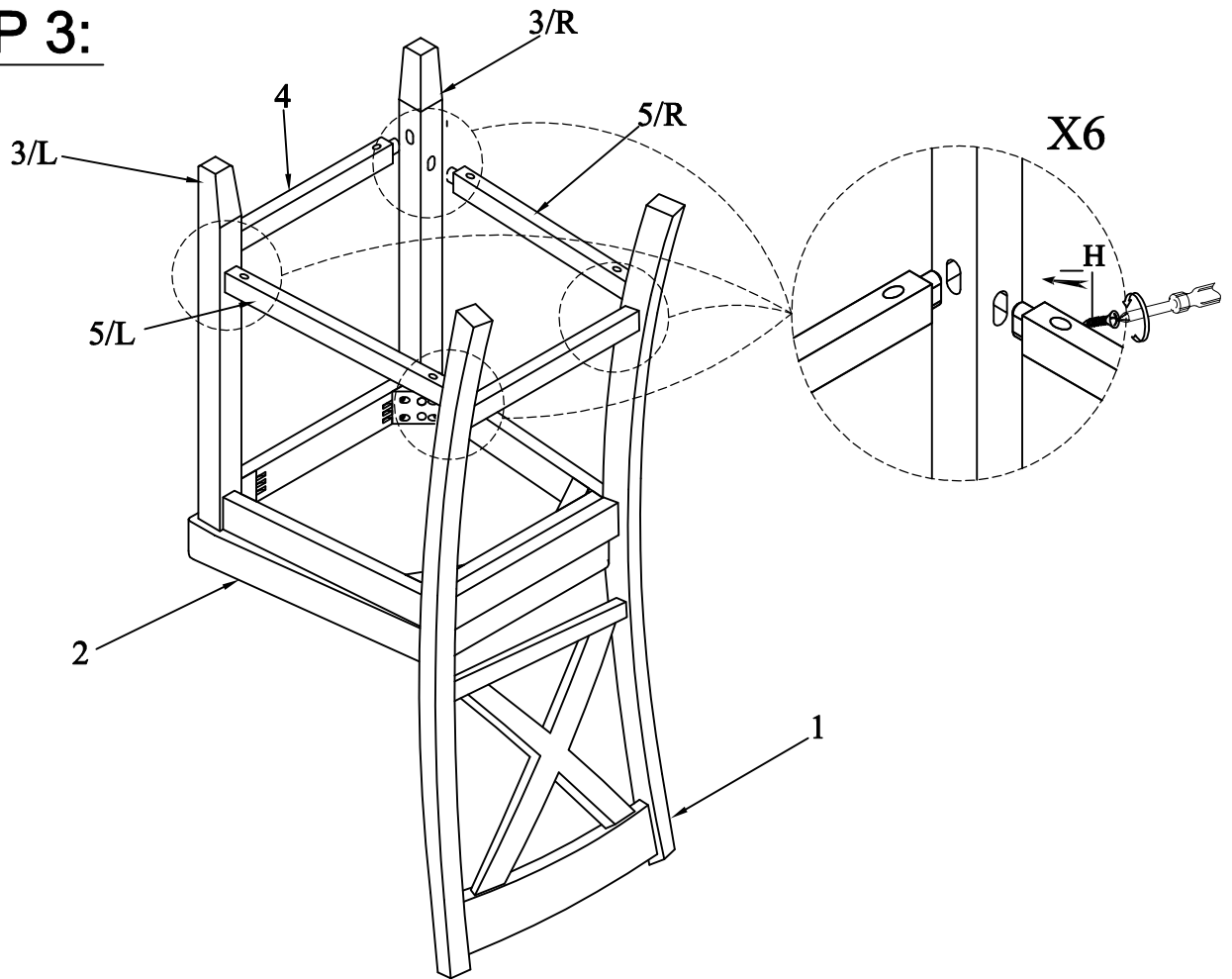


STEP 2:

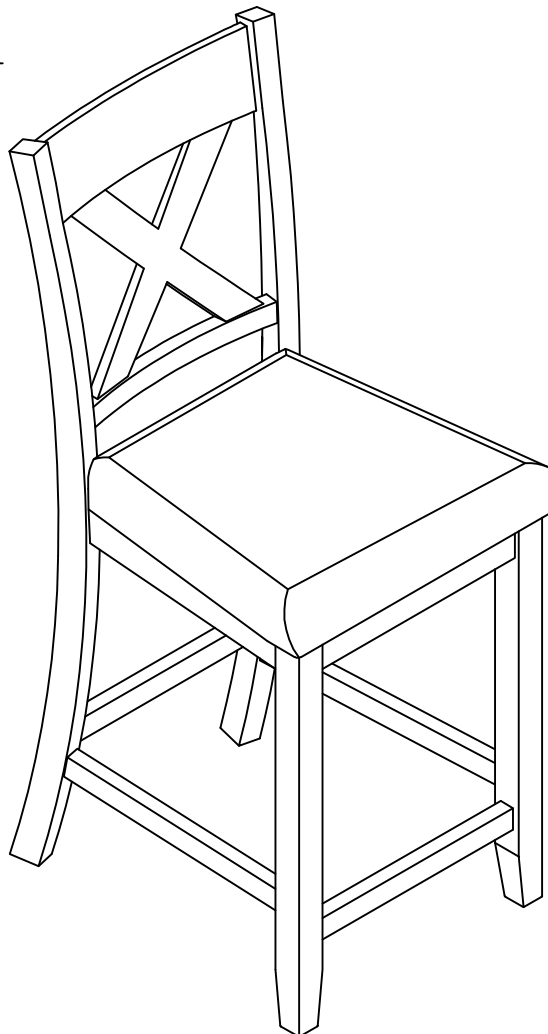


Do not tighten screws until completely assembled.

STEP 3:



COMPLETED :



Tighten all screws until completely assembled.