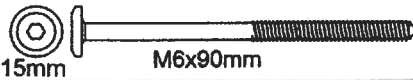

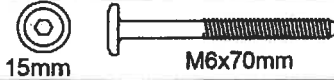


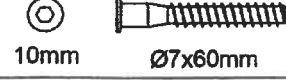


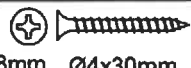

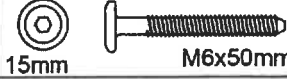

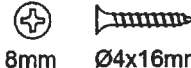
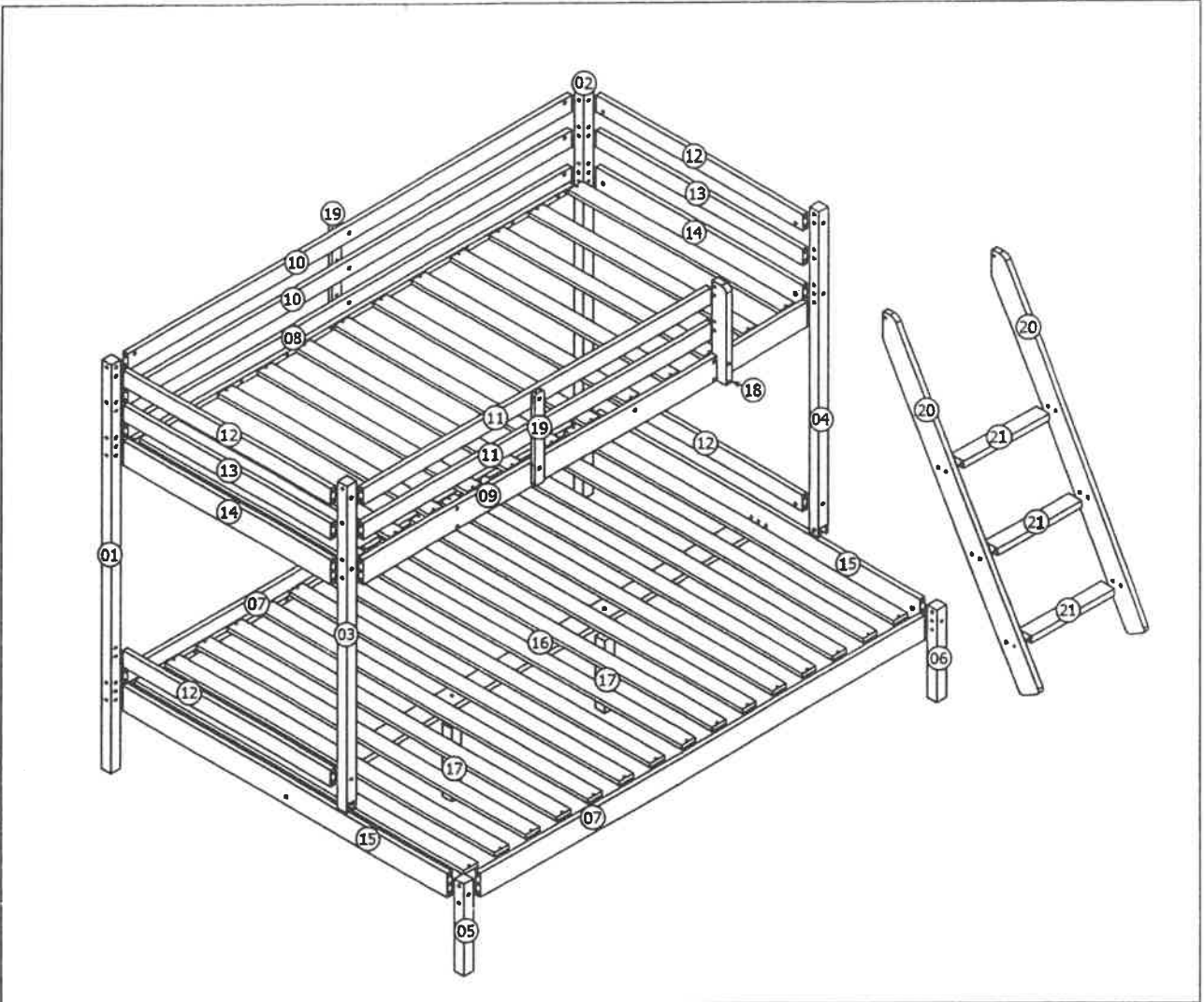


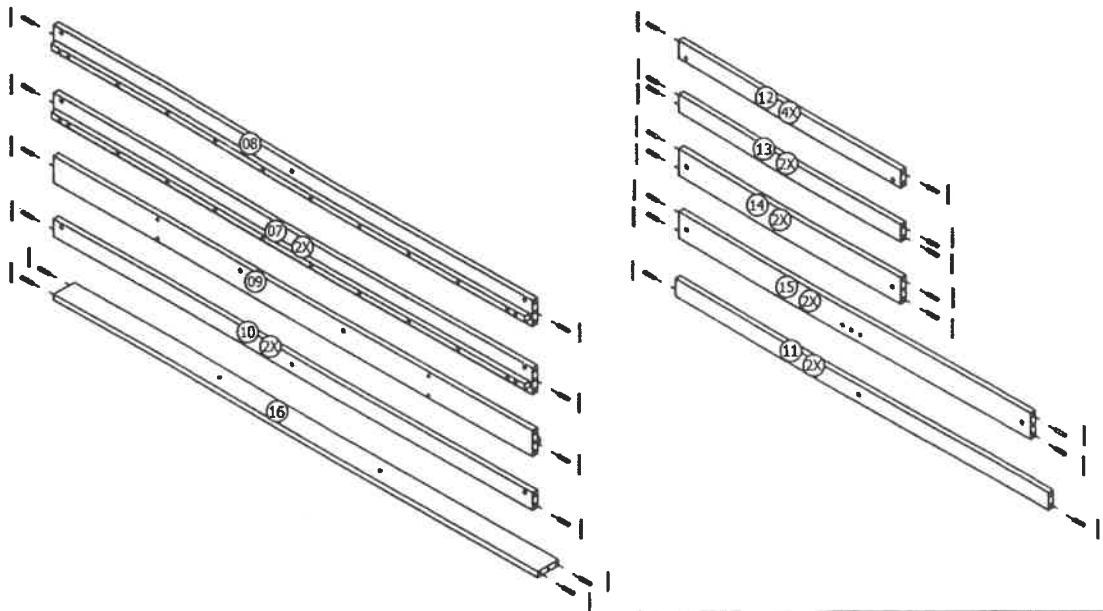
HARDWARE


A	 15mm M6x90mm	39
B		40
C	 15mm M6x70mm	01
D	 15mm M6x25mm	06
E	 15mm M8x20mm	03
F	 10mm Ø7x60mm	16
G		02

I	 Ø8x30mm	52
J	 8mm Ø4x30mm	62
K	 Ø8mm	07
M	 15mm M6x50mm	03
N		02
O	 8mm Ø4x16mm	06

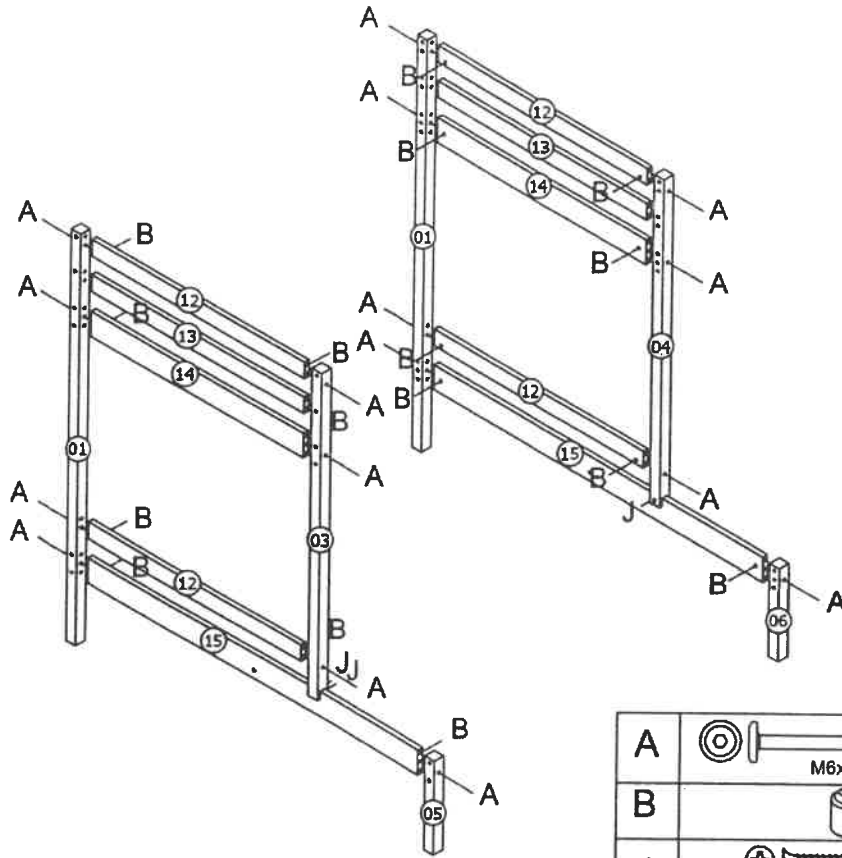




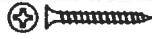
01



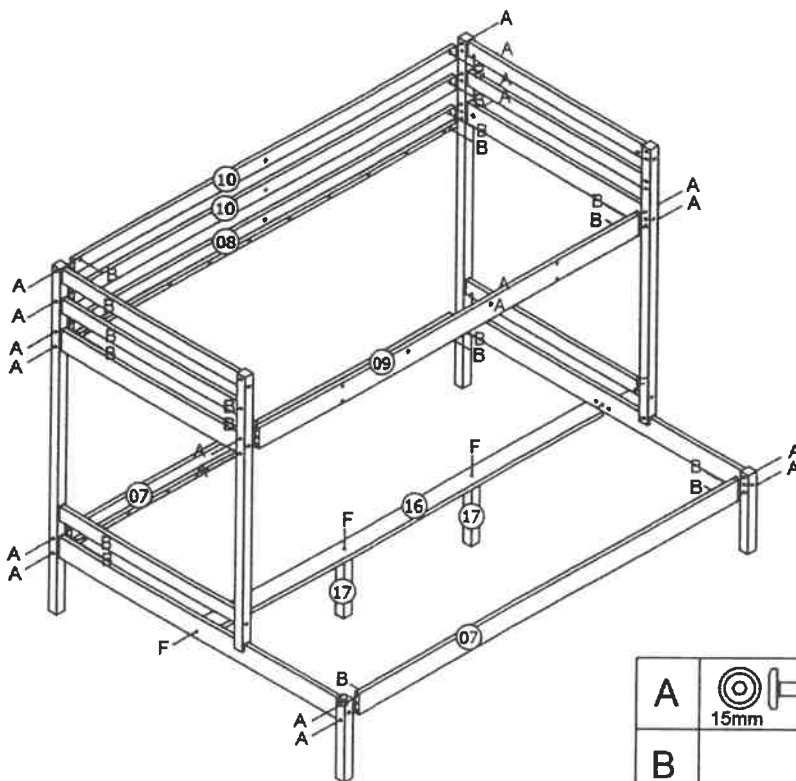
	 Ø8x30mm	52
--	--	-----------




02



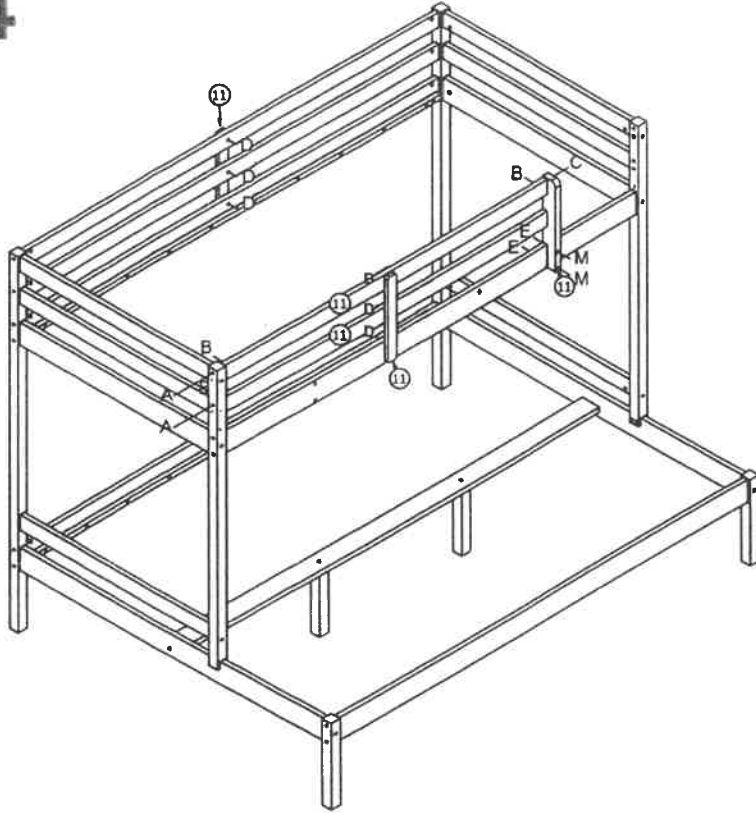
A	 M6x90mm	16
B		16
J	 8mm Ø4x30mm	02

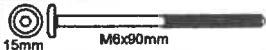



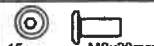
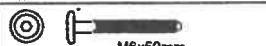
03



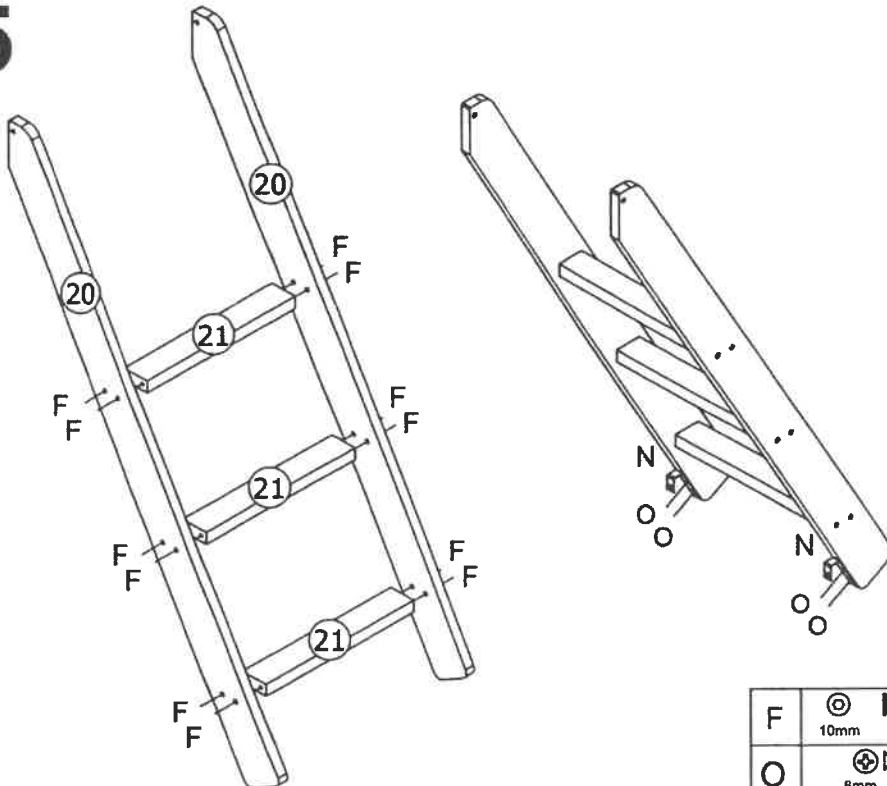
A	 15mm M6x90mm	20
B		20
F	 10mm Ø7x60mm	04

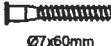
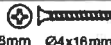

04



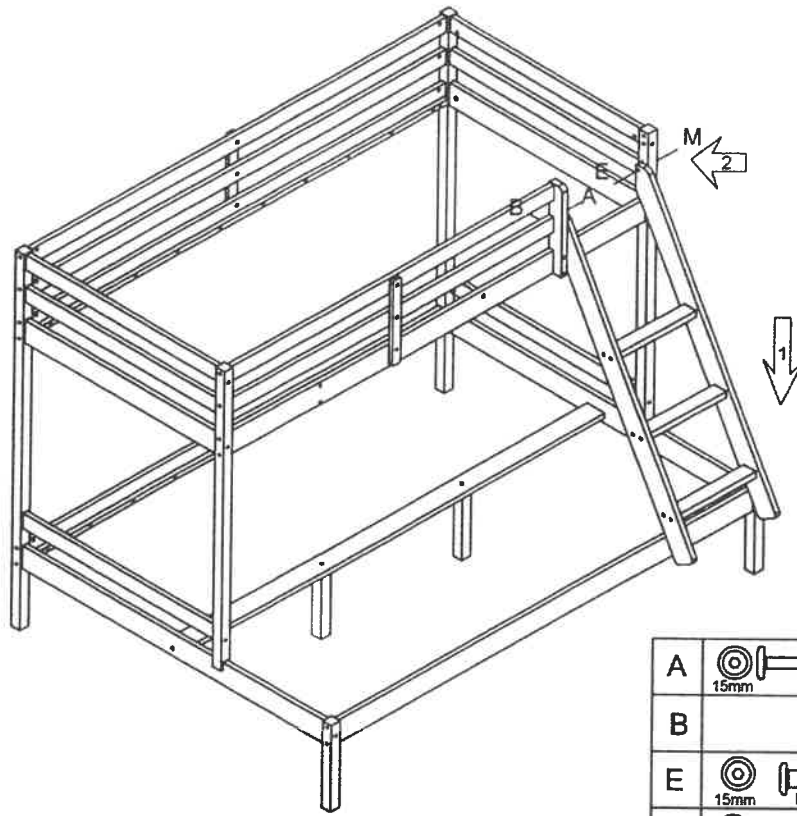
A		02
B		03
C		01
D		06
E		02
M		02








05



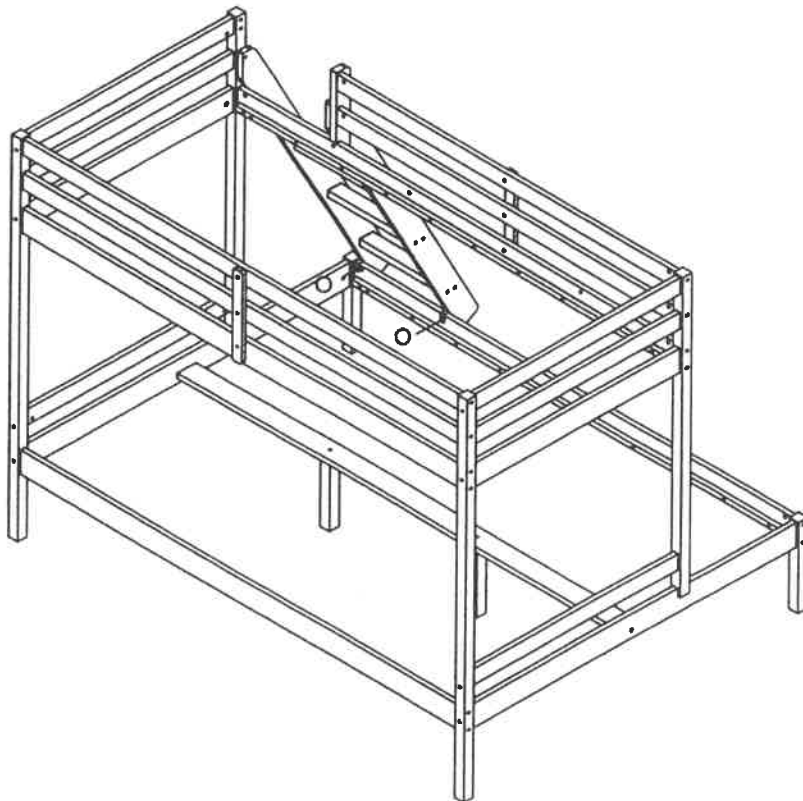
F		12
O		04
N		02

06



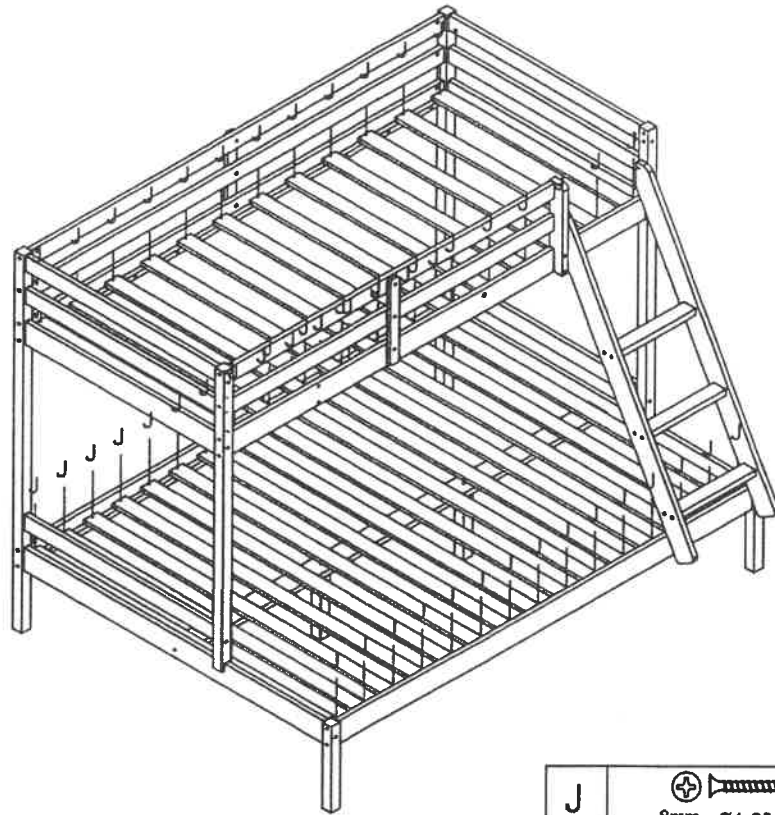
A	 15mm	 M6x90mm	01
B			01
E	 15mm	 M8x20mm	01
M	 15mm	 M6x50mm	01

07



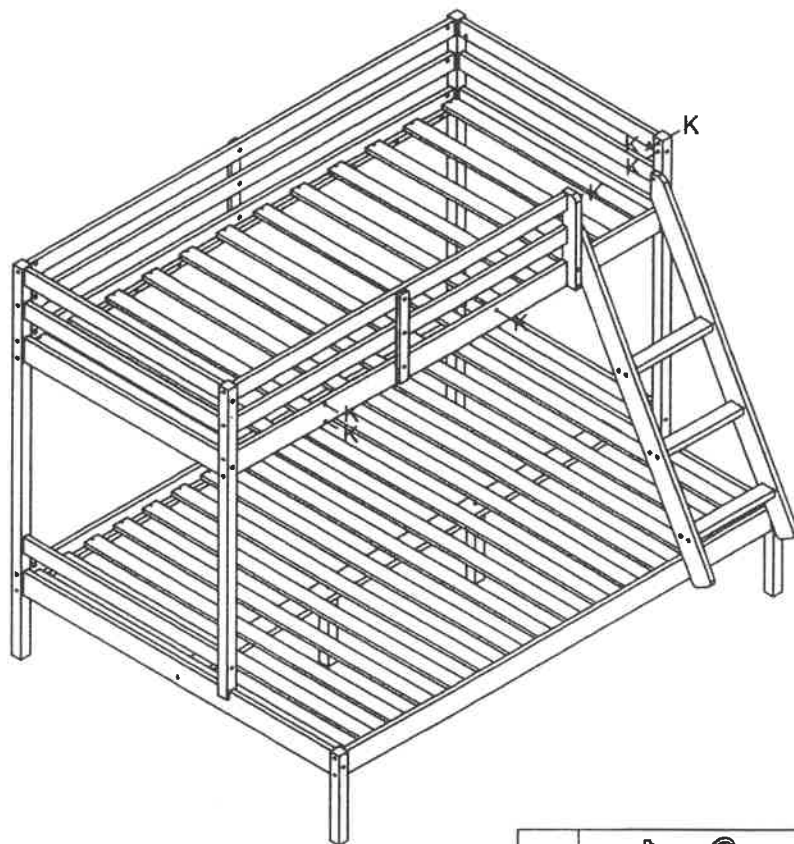
O	 8mm	 Ø4x16mm	02
---	---	---	----

08



J	 8mm Ø4x30mm	60
---	--	----

09



K	 Ø8mm	07
---	--	----