
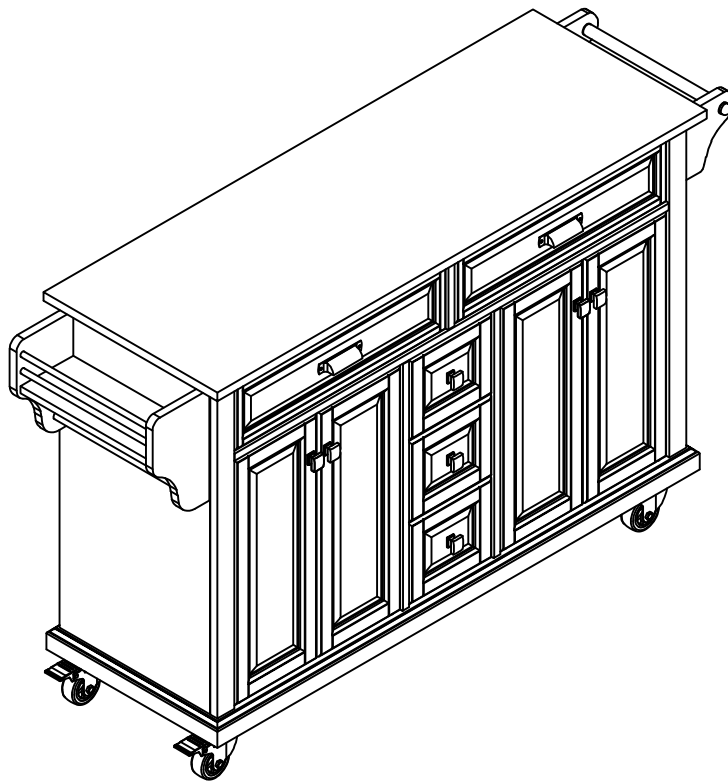


# Assembly Instruction

## KITCHEN CART

 <b>WARNING</b>	Please do not stand or climb on the top.



### **WARNING**

**Caution: Assembly will require at least 2 adults. Assemble on soft surfaces to prevent product finish from any damage. DO NOT use power tools.**

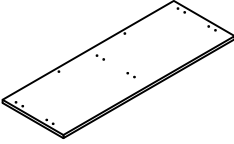
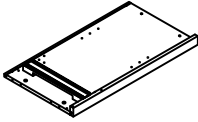
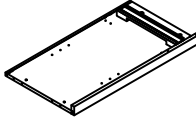
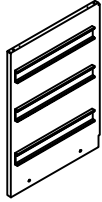
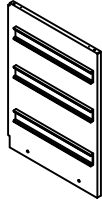
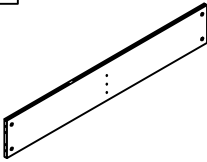
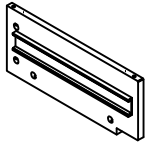
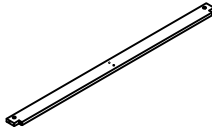
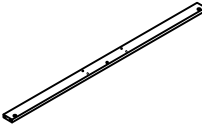
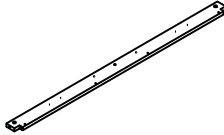
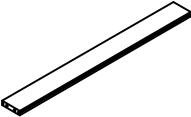
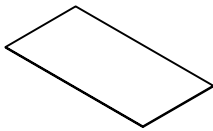
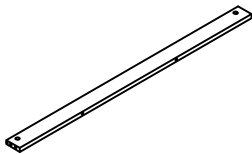
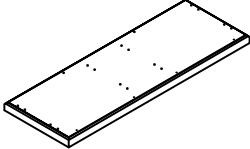
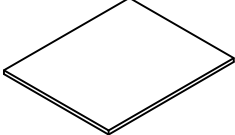
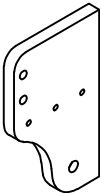

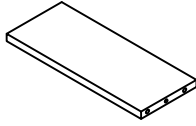
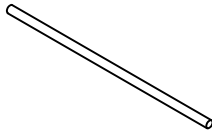
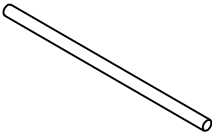
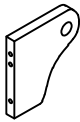
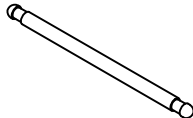
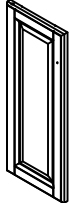
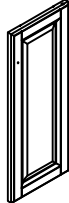
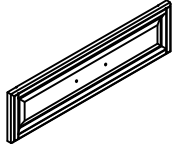
### **CARE AND CLEANING**

**DO NOT scratch or chip the finish. DO NOT use abrasive chemicals for cleaning. Clean with mild soap on a soft rag. Rinse and dry thoroughly.**

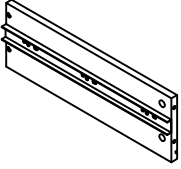
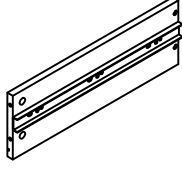
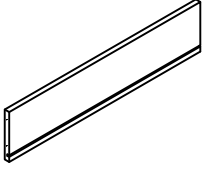
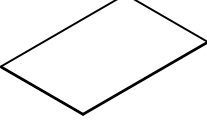
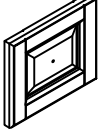
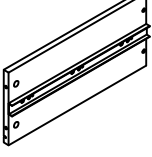
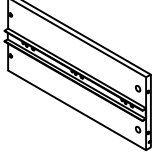
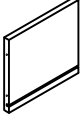
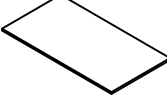
### **MAINTENANCE**

**Check bolts/screws periodically and tighten if necessary. WARNING: Should this product become damaged, and/or components are broken or missing, DO NOT USE.**

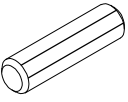


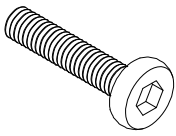
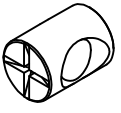
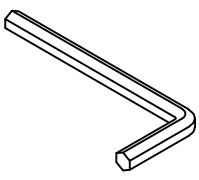
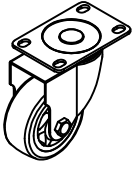
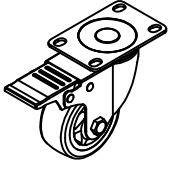
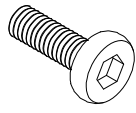

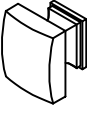
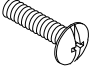


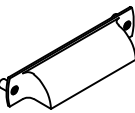

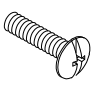
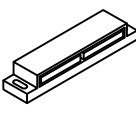
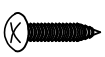
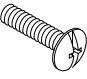
# PART LIST

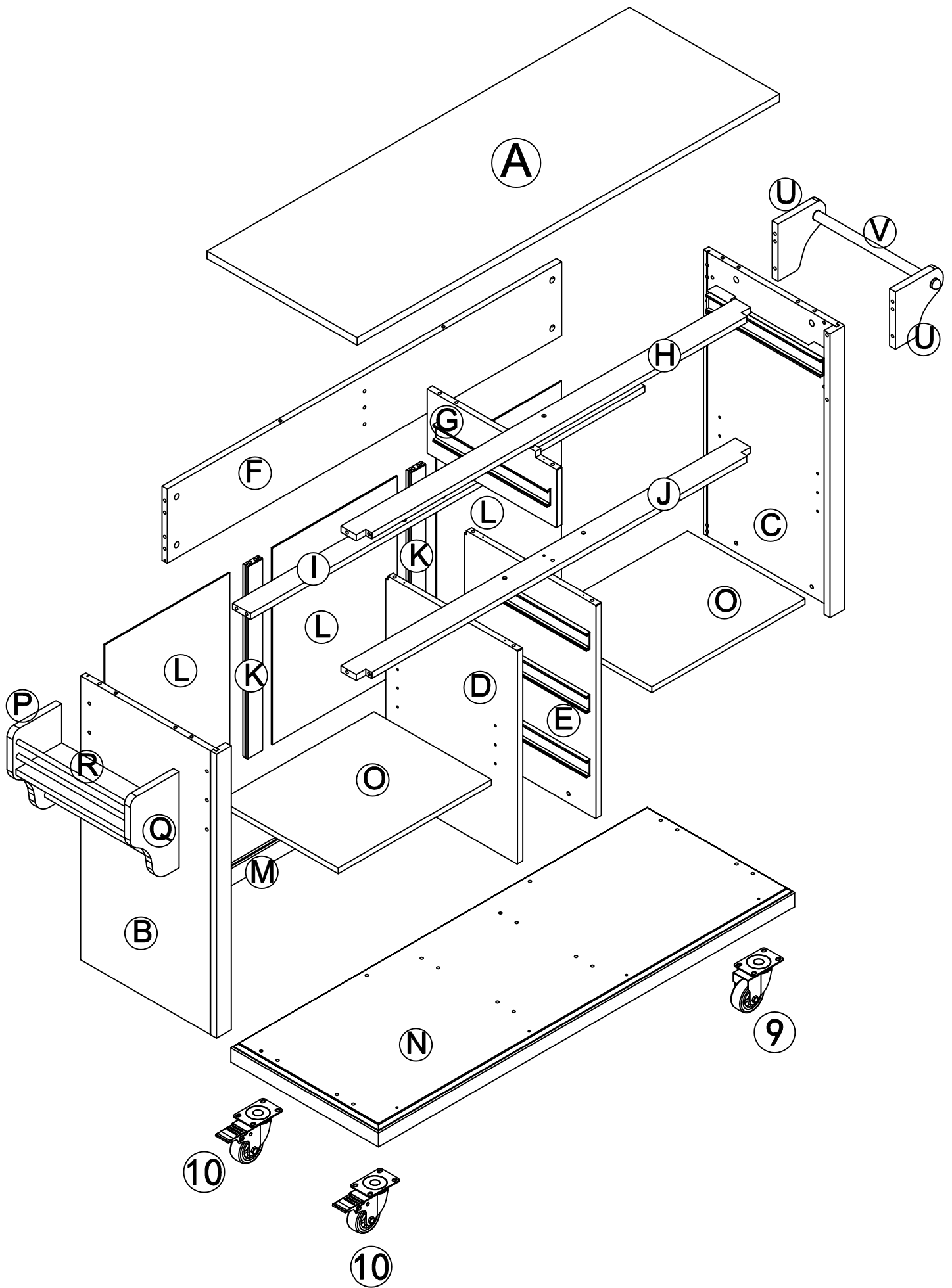
<p><b>A</b></p> 	<p><b>B</b></p> 	<p><b>C</b></p> 	<p><b>D</b></p> 	<p><b>E</b></p> 
<p>TOP FRAME 1 PC</p>	<p>LEFT SIDE PANEL 1 PC</p>	<p>RIGHT SIDE PANEL 1 PC</p>	<p>LOWER LEFT CLAPBOARD 1 PC</p>	<p>LOWER RIGHT CLAPBOARD 1 PC</p>
<p><b>F</b></p> 	<p><b>G</b></p> 	<p><b>H</b></p> 	<p><b>I</b></p> 	<p><b>J</b></p> 
<p>BACK UPPER RAIL 1 PC</p>	<p>UPPER MIDDLE CLAPBOARD 1 PC</p>	<p>FRONT UPPER RAIL 1 PC</p>	<p>DRAWER LOWER BACK RAIL 1 PC</p>	<p>DRAWER LOWER FRONT RAIL 1 PC</p>
<p><b>K</b></p> 	<p><b>L</b></p> 	<p><b>M</b></p> 	<p><b>N</b></p> 	<p><b>O</b></p> 
<p>BACK MIDDLE RAIL 2 PCS</p>	<p>BACK PANEL 3 PCS</p>	<p>LOWER BACK RAIL 1 PC</p>	<p>BOTTOM FRAME 1 PC</p>	<p>ADJUSTABLE SHELF 2 PCS</p>
<p><b>P</b></p> 	<p><b>Q</b></p> 	<p><b>R</b></p> 	<p><b>S</b></p> 	<p><b>T</b></p> 
<p>LEFT EAR SIDE PANEL 1 PC</p>	<p>RIGHT EAR SIDE PANEL 1 PC</p>	<p>EAR CONNECTING PANEL 1 PC</p>	<p>LEFT SMALL EAR BAR 2 PCS</p>	<p>LEFT BIG EAR BAR 1 PC</p>
<p><b>U</b></p> 	<p><b>V</b></p> 	<p><b>WL</b></p> 	<p><b>WR</b></p> 	<p><b>X</b></p> 
<p>EAR 2 PCS</p>	<p>EAR BAR 1 PC</p>	<p>LEFT DOOR 2 PCS</p>	<p>RIGHT DOOR 2 PCS</p>	<p>SMALL DRAWER FRONT 2 PCS</p>

# PART LIST

<p><b>Y</b></p> 	<p><b>Z</b></p> 	<p><b>ZA</b></p> 	<p><b>ZB</b></p> 	<p><b>ZC</b></p> 
<p>SMALL DRAWER LEFT SIDE 2 PCS</p>	<p>SMALL DRAWER RIGHT SIDE 2 PCS</p>	<p>SMALL DRAWER BACK 2 PCS</p>	<p>SMALL DRAWER BOTTOM 2 PCS</p>	<p>BIG DRAWER FRONT 3 PCS</p>
<p><b>ZD</b></p> 	<p><b>ZE</b></p> 	<p><b>ZF</b></p> 	<p><b>ZG</b></p> 	
<p>BIG DRAWER RIGHT SIDE 3 PCS</p>	<p>BIG DRAWER LEFT SIDE 3 PCS</p>	<p>BIG DRAWER BACK 3 PCS</p>	<p>BIG DRAWER BOTTOM 3 PCS</p>	

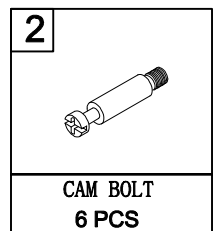
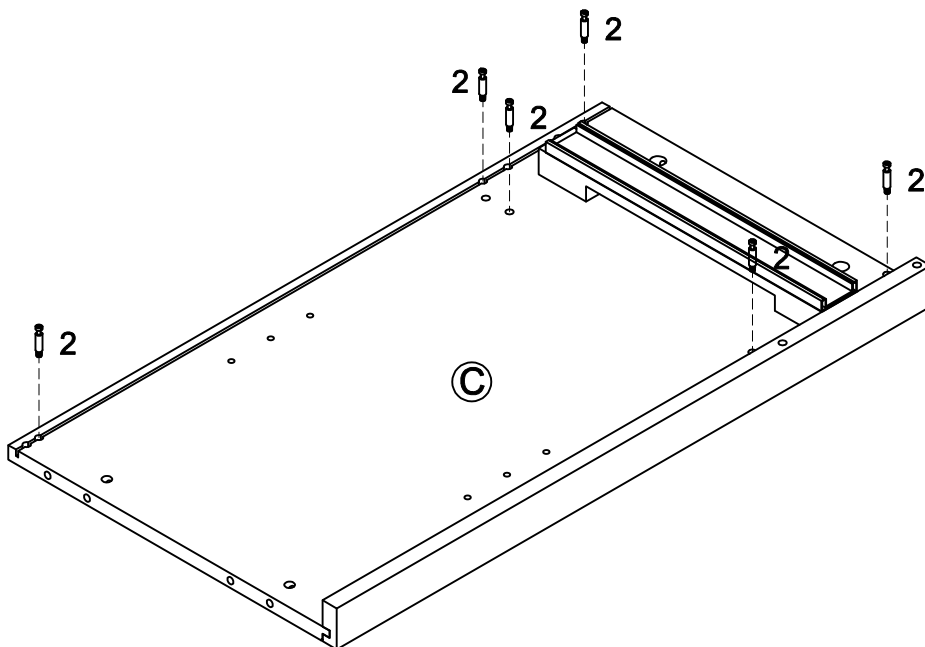
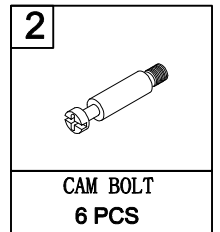
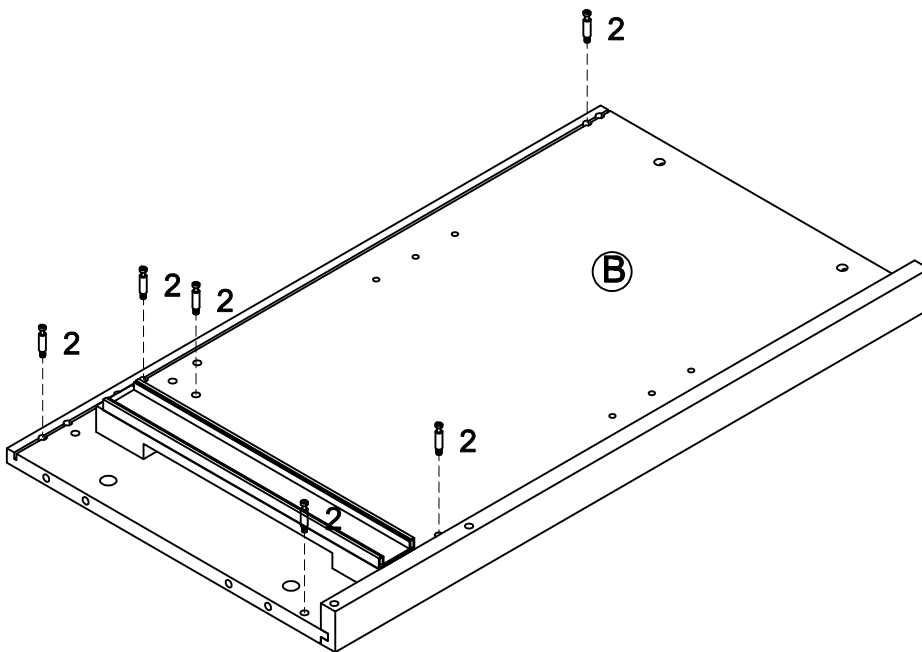
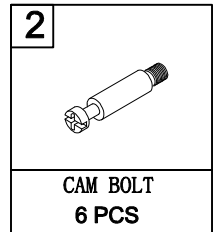
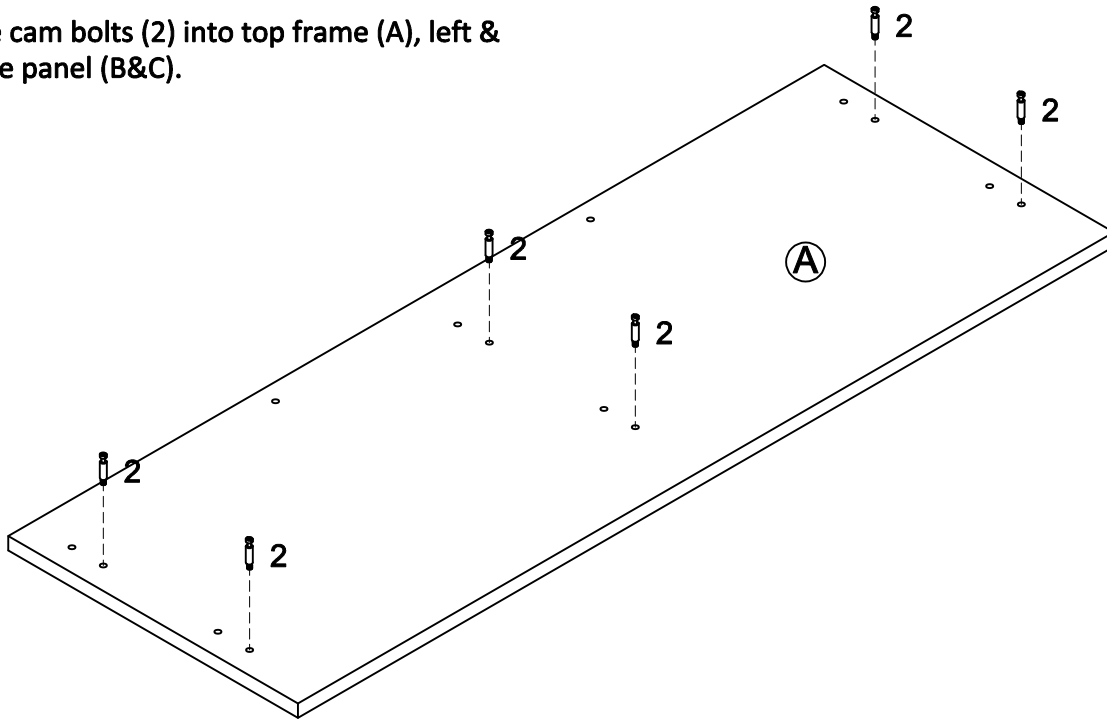
# HARDWARE LIST

<p><b>1</b></p>  <p><b>Φ8*30mm</b></p>	<p><b>2</b></p> 	<p><b>3</b></p> 	<p><b>4</b></p>  <p><b>1-1/4"*Φ4*D8mm</b></p>	<p><b>5</b></p>  <p><b>2"*Ø1/4"*D11mm</b></p>
<p>WOOD DOWEL Qty: 56+2 extra</p>	<p>CAM BOLT Qty: 22+2 extra</p>	<p>CAM LOCK Qty: 22+3 extra</p>	<p>SCREW Qty: 7+1 extra</p>	<p>HEX SOCKET HEAD BOLT Qty: 8+1 extra</p>
<p><b>6</b></p>  <p><b>1-1/2"*Ø1/4"*D11mm</b></p>	<p><b>7</b></p> 	<p><b>8</b></p> 	<p><b>9</b></p> 	<p><b>10</b></p> 
<p>HEX SOCKET HEAD BOLT Qty: 6+1 extra</p>	<p>BARREL NUT Qty: 8+2 extra</p>	<p>ALLEN KEY Qty: 1</p>	<p>CASTER Qty: 3</p>	<p>LOCKING CASTER Qty: 2</p>
<p><b>11</b></p>  <p><b>20mm*Ø1/4"*D13mm</b></p>	<p><b>12</b></p> 	<p><b>13</b></p> 	<p><b>14</b></p>  <p><b>Ø5/32"*12mm</b></p>	<p><b>15</b></p>  <p><b>1"*Ø4"*D8mm</b></p>
<p>HEX SOCKET HEAD BOLT Qty: 20+2 extra</p>	<p>MODELL SHELF PALLET Qty: 8+1 extra</p>	<p>KNOB Qty: 7</p>	<p>ROUND HEAD BOLT Qty: 4+1 extra</p>	<p>SCREW Qty: 20+4 extra</p>
<p><b>16</b></p> 	<p><b>17</b></p> 	<p><b>18</b></p> 	<p><b>19</b></p> 	<p><b>20</b></p>  <p><b>Ø5/32"*22mm</b></p>
<p>SMALL CAM BOLT Qty: 20+4 extra</p>	<p>SMALL CAM LOCK Qty: 20+4 extra</p>	<p>DRAWER PULL Qty: 2</p>	<p>DOOR HINGE Qty: 3</p>	<p>ROUND HEAD BOLT Qty: 4+1 extra</p>
<p><b>21</b></p> 	<p><b>22</b></p>  <p><b>15mm*Ø3*D6mm</b></p>	<p><b>23</b></p>  <p><b>Ø5/32"*18mm</b></p>		
<p>MAGNET Qty: 2+1 extra</p>	<p>ROUND HEAD SCREW Qty: 4+2 extra</p>	<p>ROUND HEAD BOLT Qty: 3+1 extra</p>		



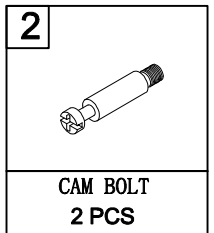
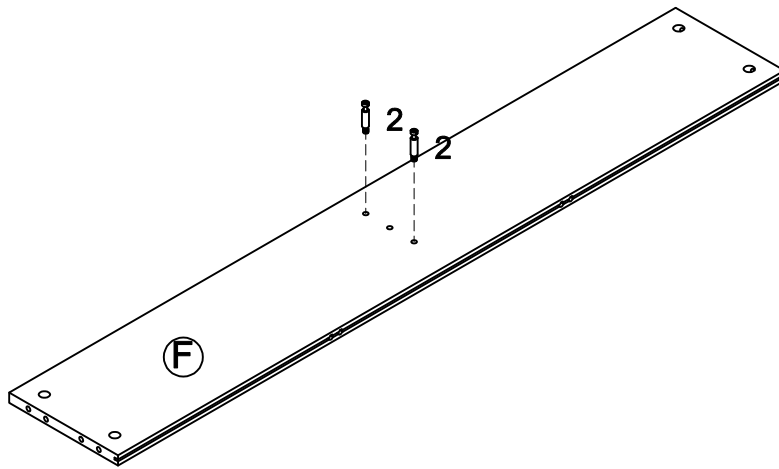
**STEP 1**

Lock the cam bolts (2) into top frame (A), left & right side panel (B&C).



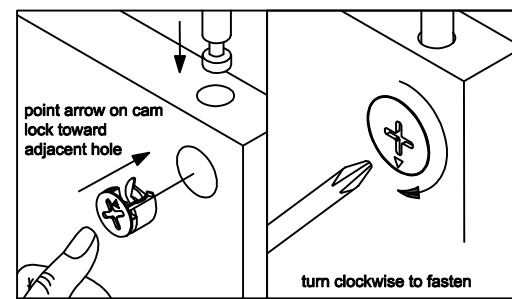
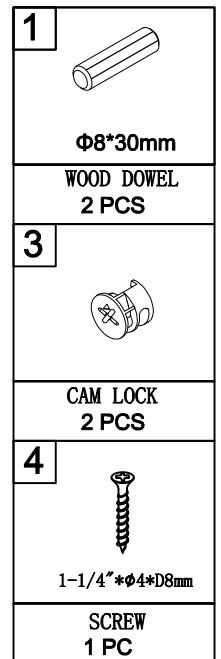
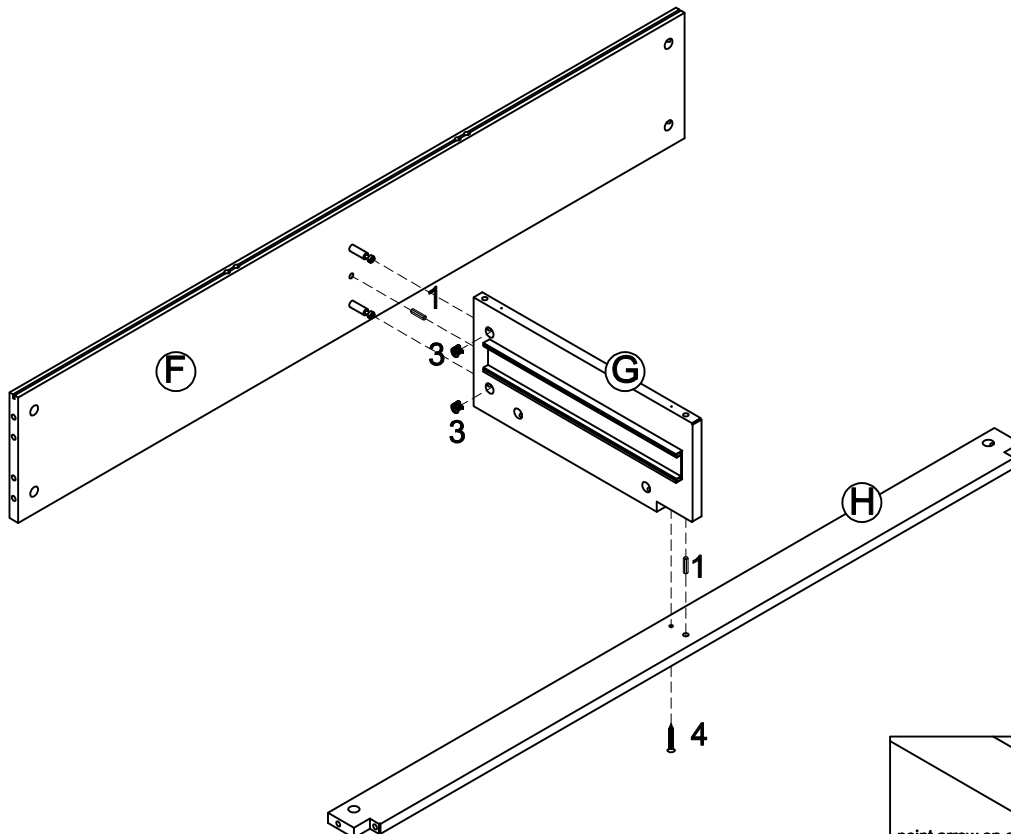
**STEP 2**

Lock the cam bolts (2) into back upper rail (F).



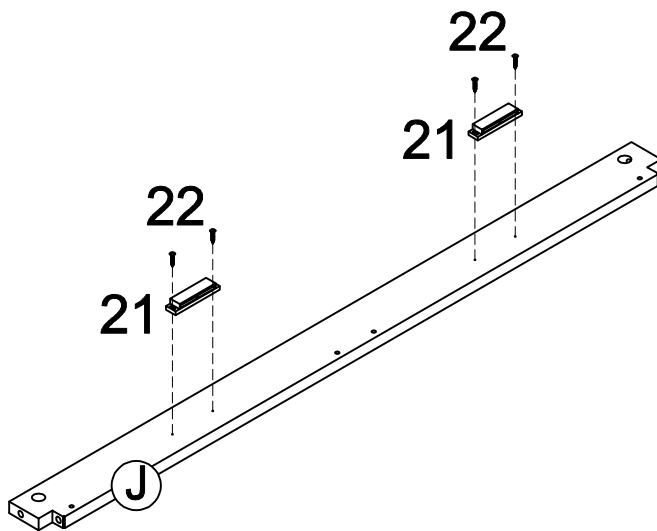
**STEP 3**

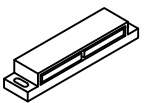

Attach front upper rail (H) & back upper rail (F) to upper middle clapboard (G) using wood dowels (1) and screws (4) and cam lock (3).



**STEP 4**

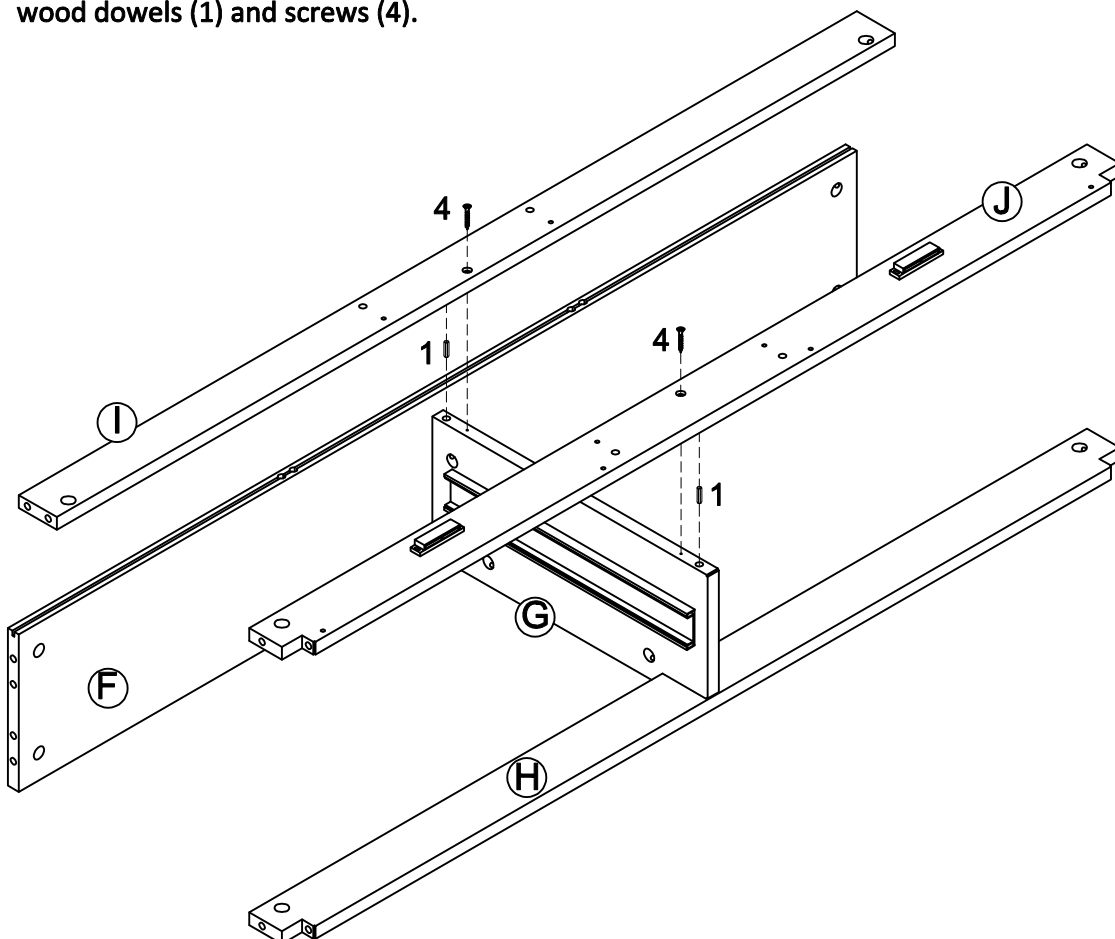
Using the pilot holes as a guide, attach magnets (21) to drawer lower front rail (J) using round head screws (22).

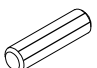



21	
MAGNET 2 PCS	
22	
15mm*Ø3*D6mm ROUND HEAD SCREW 4 PCS	

**STEP 5**

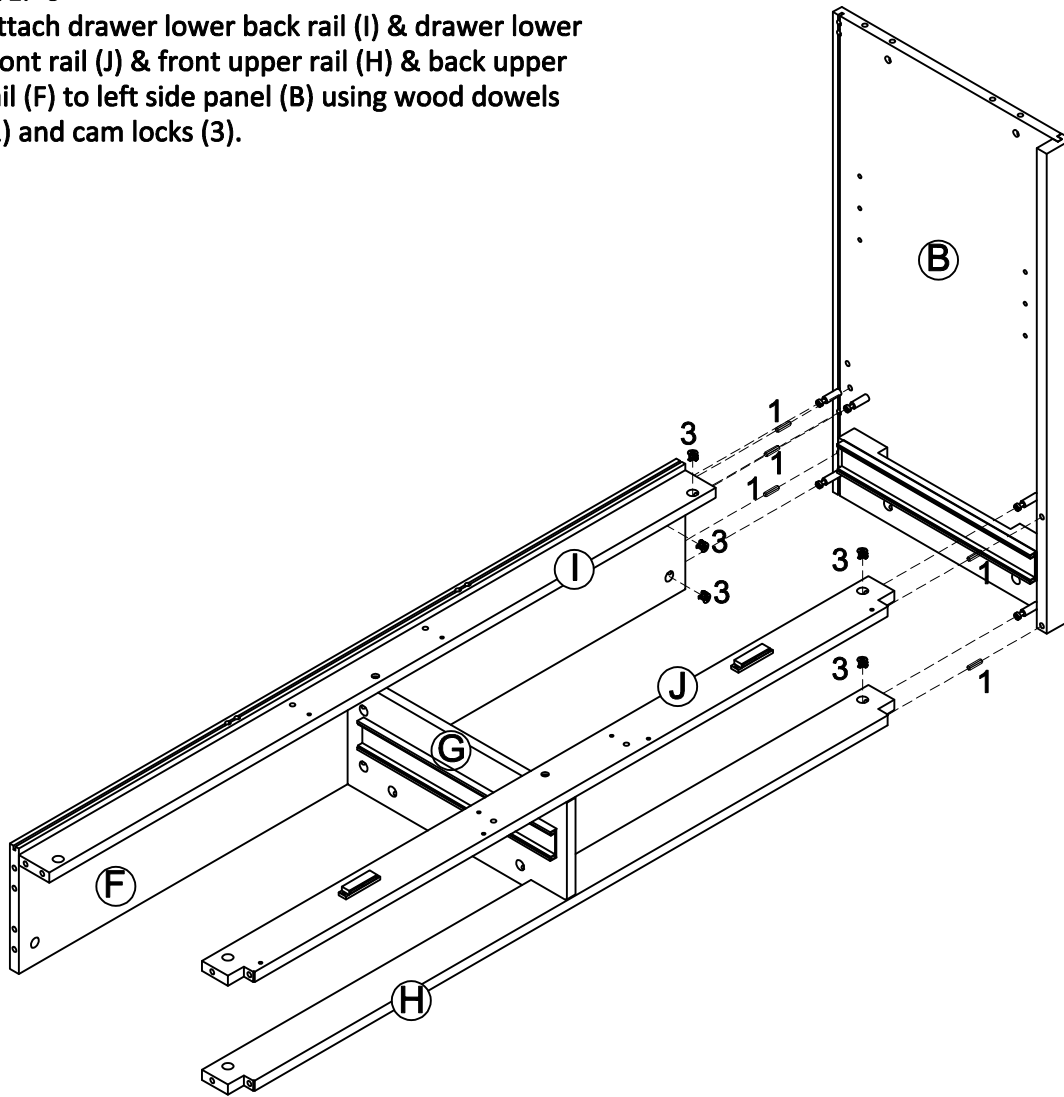
Attach drawer lower back rail (I) & drawer lower front rail (J) to upper middle clapboard (G) using wood dowels (1) and screws (4).

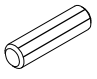



1	
Ø8*30mm WOOD DOWEL 2 PCS	
4	
1-1/4"*Ø4*D8mm SCREW 2 PCS	

**STEP 6**

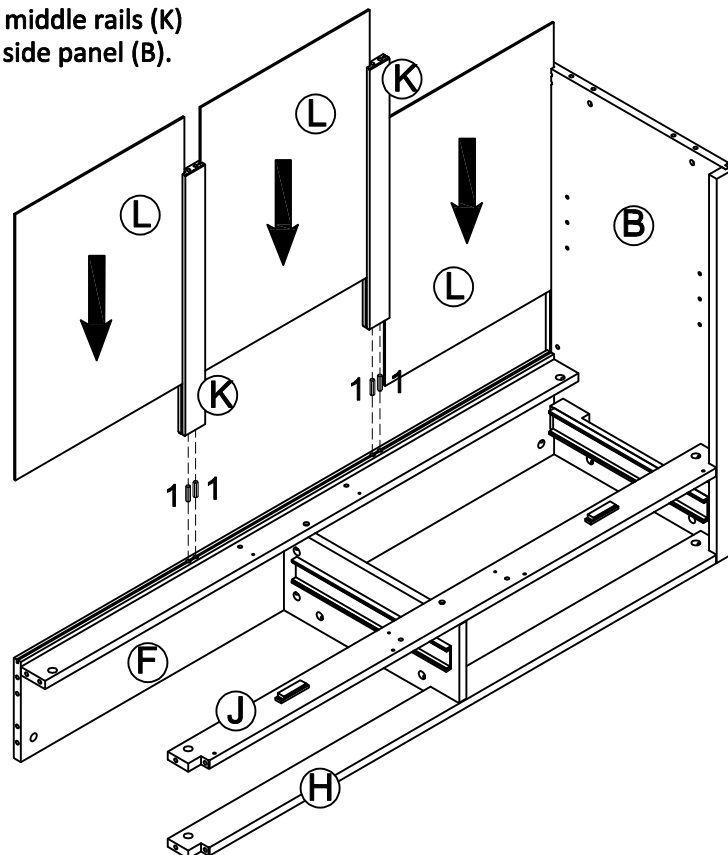
Attach drawer lower back rail (I) & drawer lower front rail (J) & front upper rail (H) & back upper rail (F) to left side panel (B) using wood dowels (1) and cam locks (3).

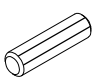


1	
Φ8*30mm WOOD DOWEL 5 PCS	
3	
CAM LOCK 5 PCS	

**STEP 7**

Attach back middle rails (K) to back upper rail (F) use wood dowels (1).  
Insert back panels (L) into back middle rails (K) and back upper rail (F) and left side panel (B).

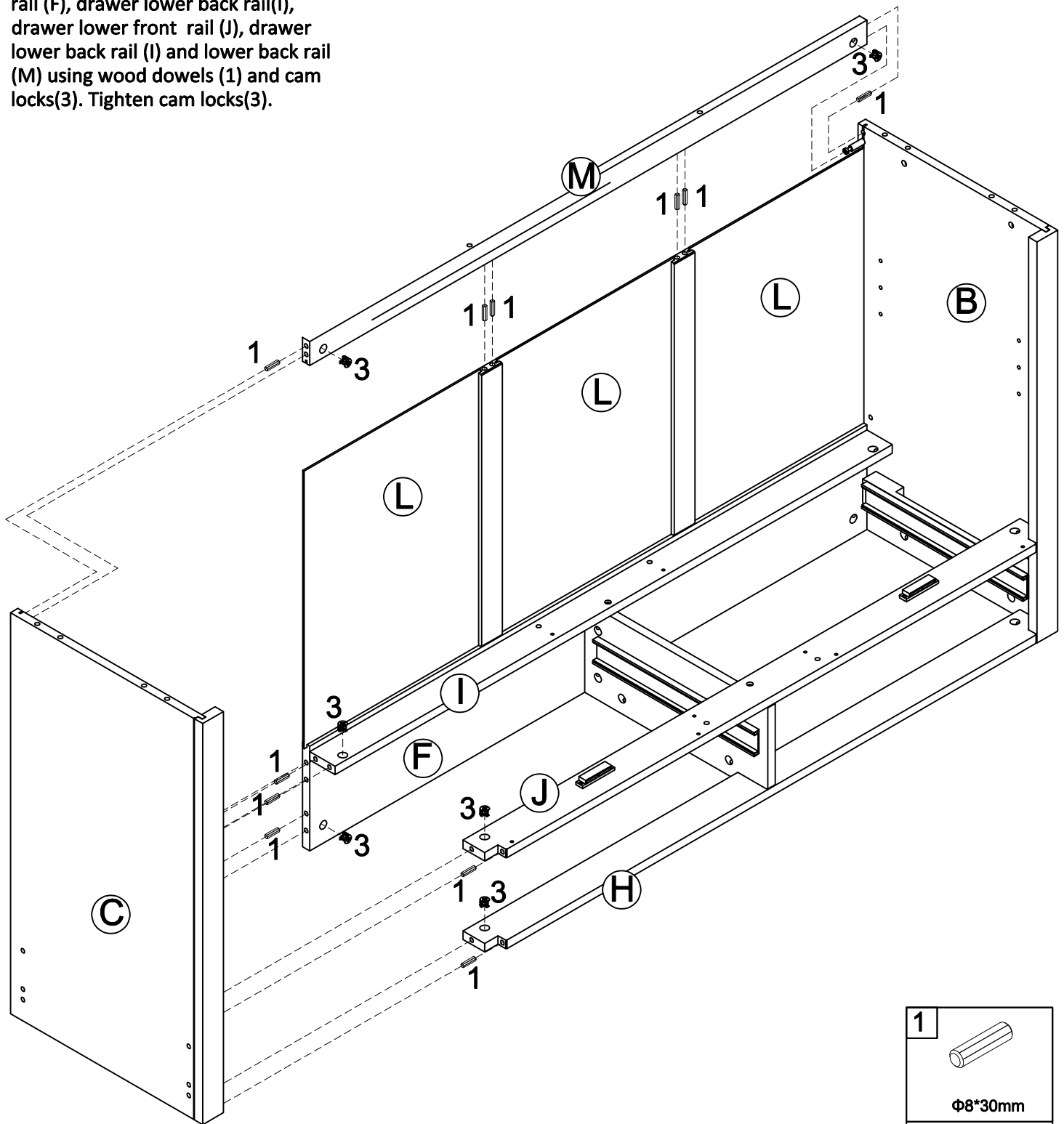


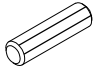

1	
Φ8*30mm WOOD DOWEL 4 PCS	

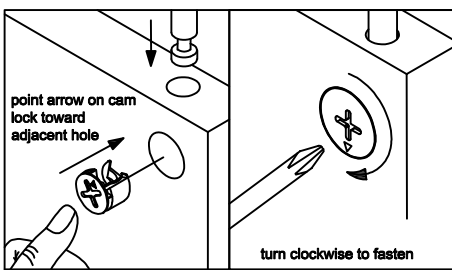
**STEP 8**

Attach lower back rail (M) to left side panel (B) and back middle rails (K) using wood dowels (1). Secure lower back rail (M) to left side panel (B) using cam locks(3). Tighten cam locks(3).

Attach right side panel (C) to back upper rail (F), drawer lower back rail (I), drawer lower front rail (J), drawer lower back rail (I) and lower back rail (M) using wood dowels (1) and cam locks(3). Tighten cam locks(3).

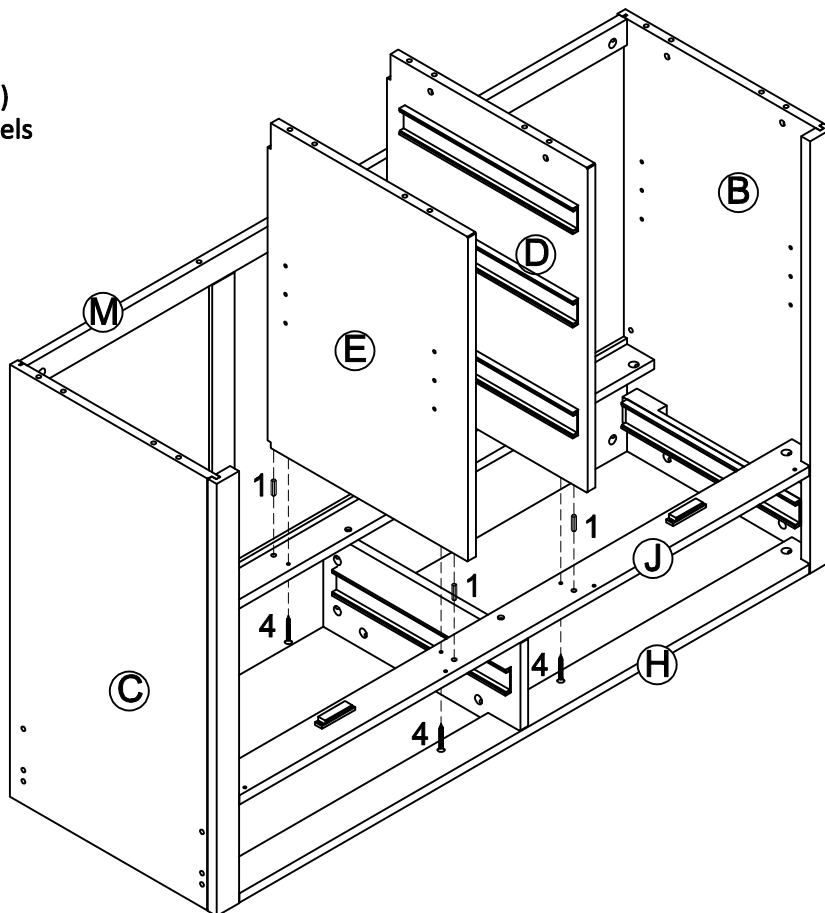


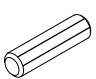

<b>1</b>	
Φ8*30mm WOOD DOWEL 11 PCS	
<b>3</b>	
CAM LOCK 7 PCS	



**STEP 9**

Attach lower left clapboard & lower right clapboard (D&E) to drawer lower front rail (J) and drawer lower back rail (I) use wood dowels (1) and screw (4).

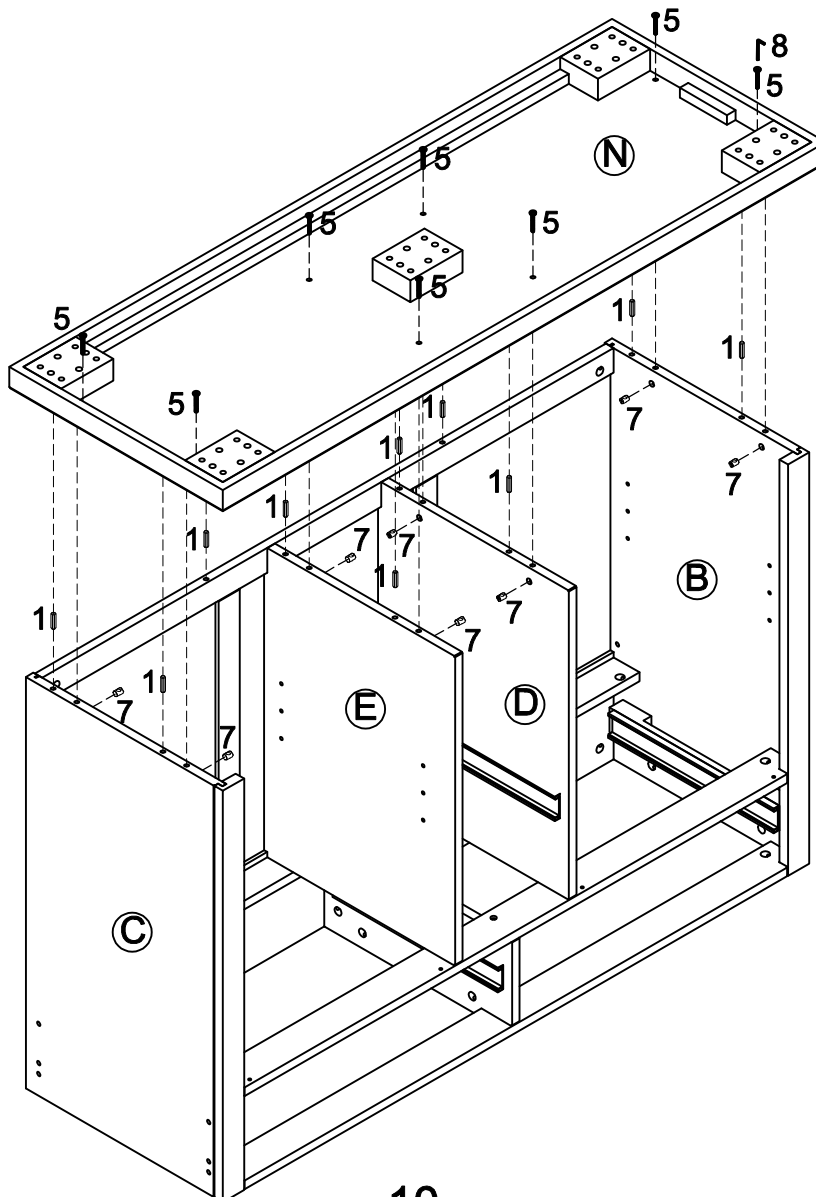


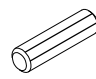
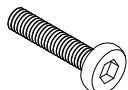

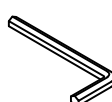
<b>1</b>	
	Φ8*30mm WOOD DOWEL 4 PCS
<b>4</b>	
	1-1/4" * Φ4 * D8mm SCREW 4 PCS

**STEP 10**

Insert wood dowels (1) and barrel nuts (7) into left & right side panel (B&C), left & right clapboard (D&E).

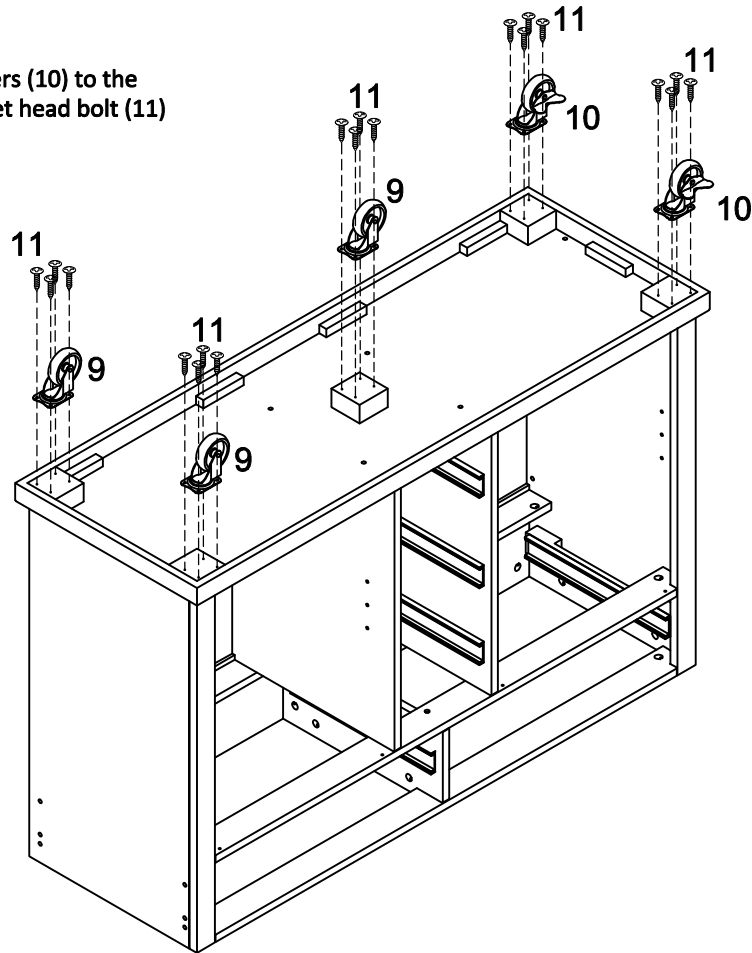
Then attach bottom frame (N), left & right side panel (B&C), left & right clapboard (D&E) using hex socket head bolts (5) & allen Key (8).


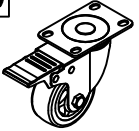
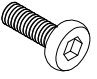
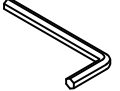


<b>1</b>	
	Φ8*30mm WOOD DOWEL 10 PCS
<b>5</b>	
	2" * Ø1/4" * D11mm HEX SOCKET HEAD BOLT 8 PCS
<b>7</b>	
	BARREL NUT 8 PCS
<b>8</b>	
	ALLEN KEY 1 PC

**STEP 11**

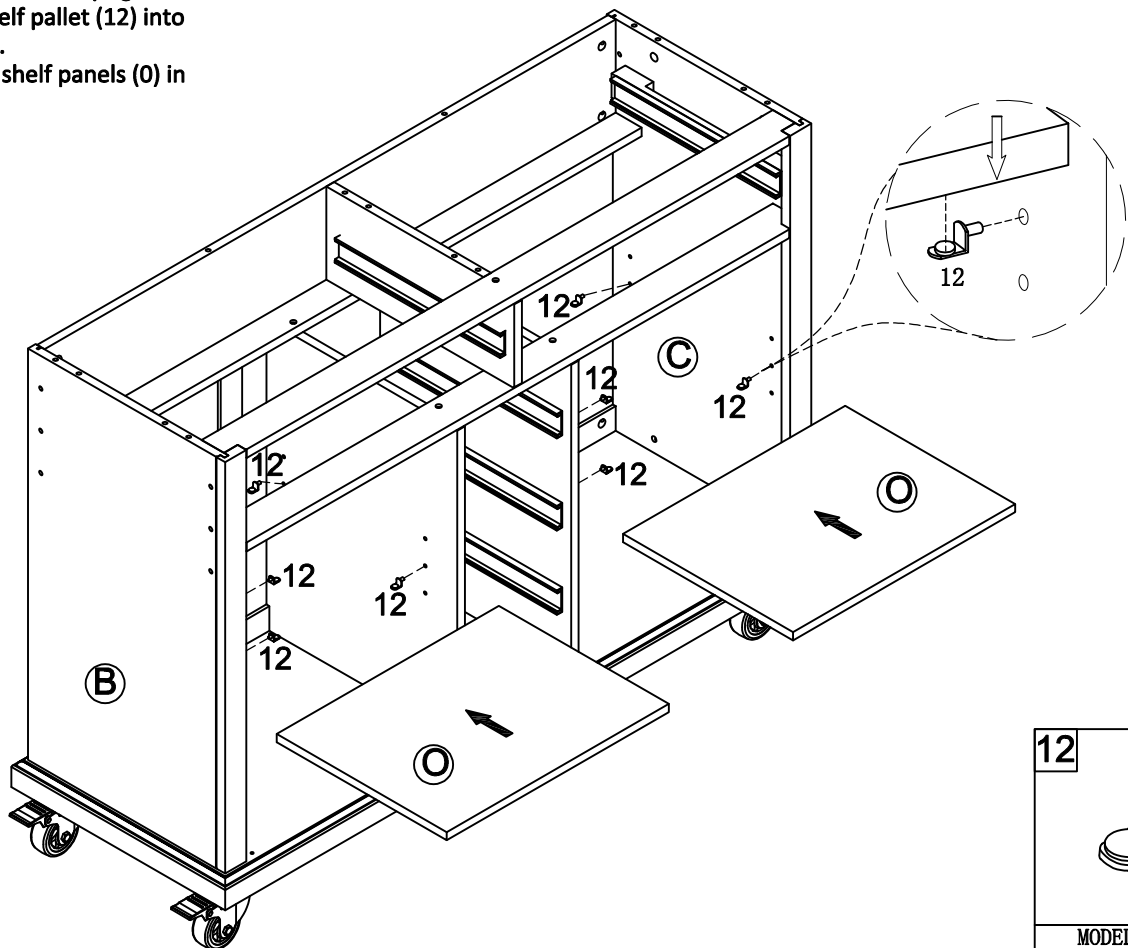
Attach caster(9) and locking casters (10) to the bottom frame (N) using hex socket head bolt (11) & allen Key (8)..




9	
	CASTER 3 PCS
10	
	LOCKING CASTER 2 PCS
11	
	20mm*Ø1/4**D13mm HEX SOCKET HEAD BOLT 20 PCS
8	
	ALLEN KEY 1 PC

**Step 12**

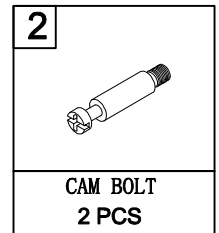
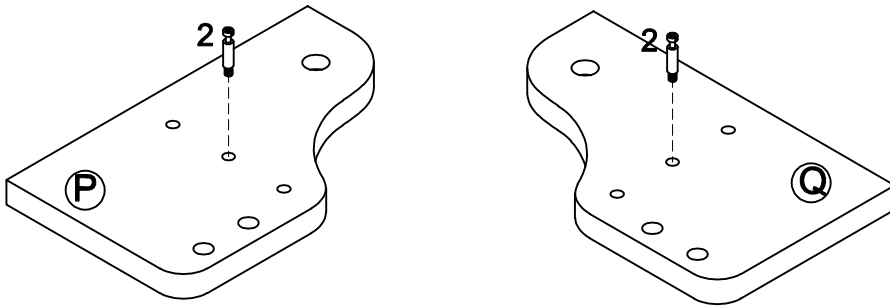
Carefully place the cart upright.  
Insert modell shelf pallet (12) into desired position.  
Slide adjustable shelf panels (0) in place.



12	
	MODELL SHELF PALLET 8 PCS

### STEP 13

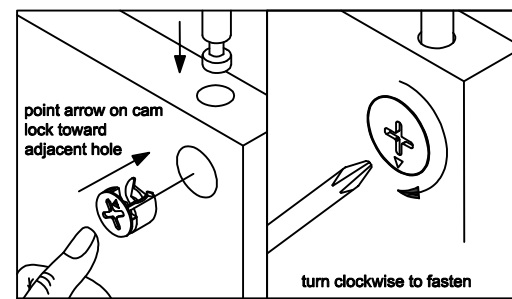
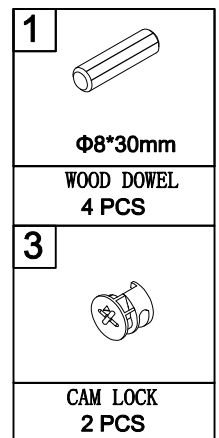
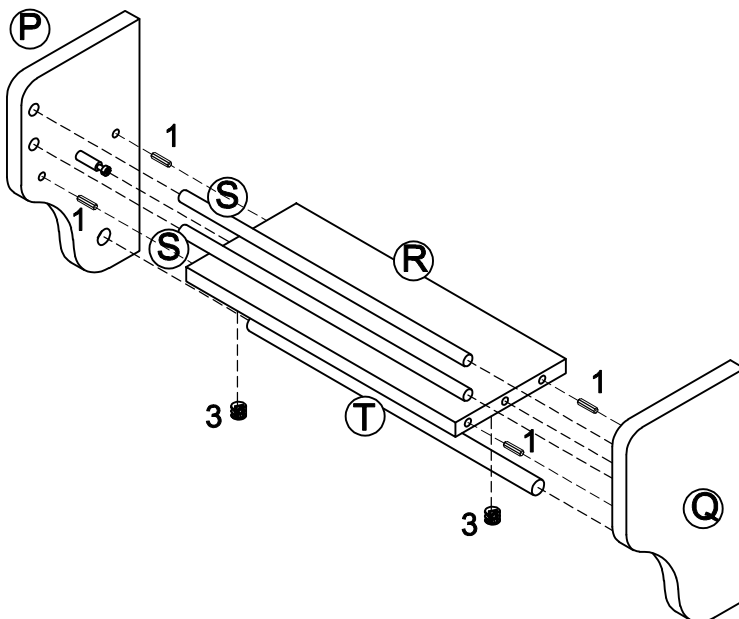
Lock the cam bolts (2) into left ear side panel (P) and right ear side panel (Q).



### STEP14

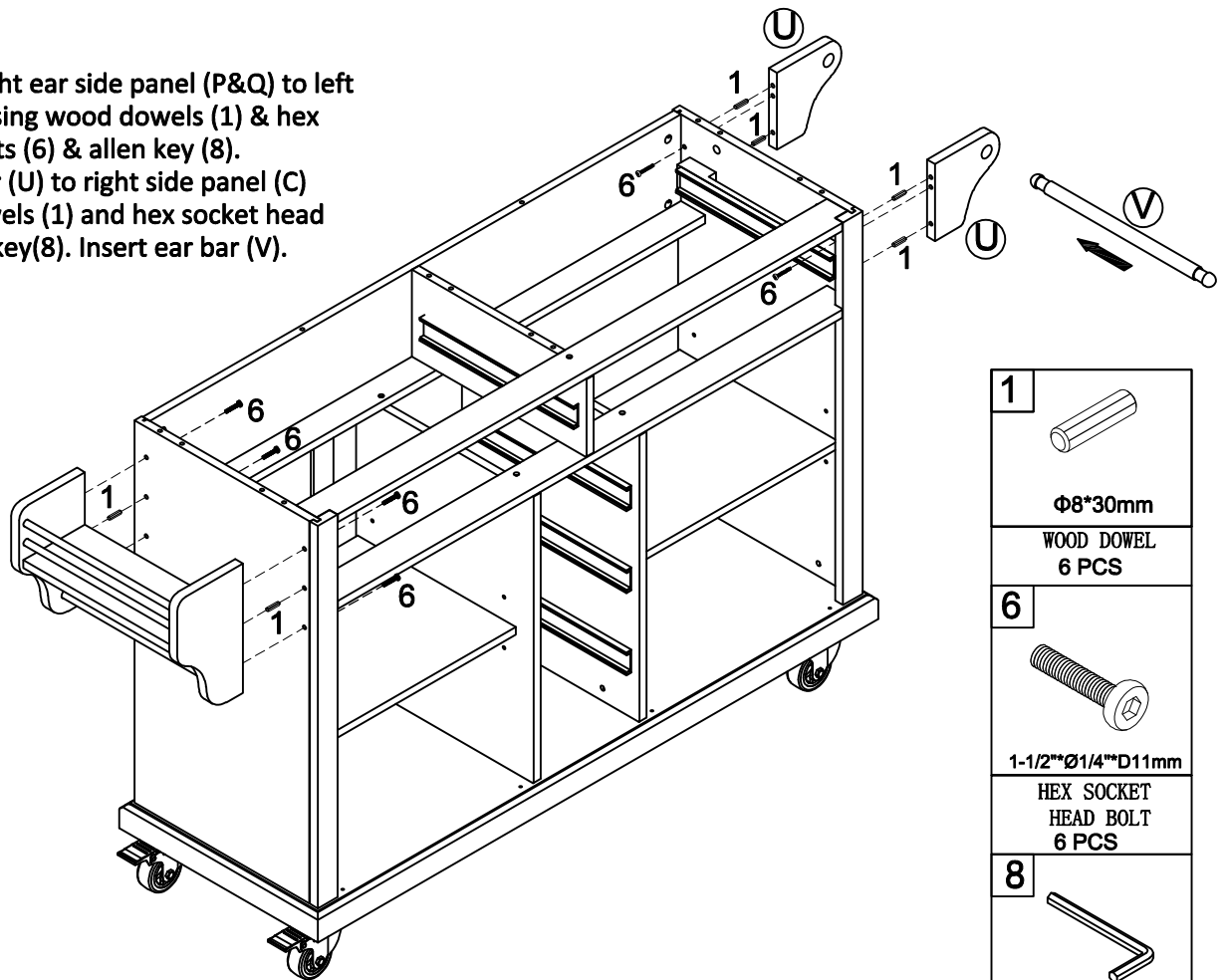
Attach ear connecting panel (R) to left ear side panel (P) using wood dowels (1) and cam lock (3). Tighten cam lock (3).

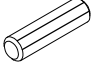
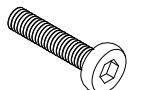
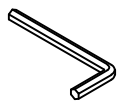
Insert left small ear bar (S) and left big ear bar (T) into holes on left ear side panel (P). Attach right ear panel (Q) to ear connecting panel (R) using wood dowels (1) and cam lock (3). Make sure left small ear bar (S) and left big ear bar (T) is aligned and tighten cam lock(3).



**STEP 15**

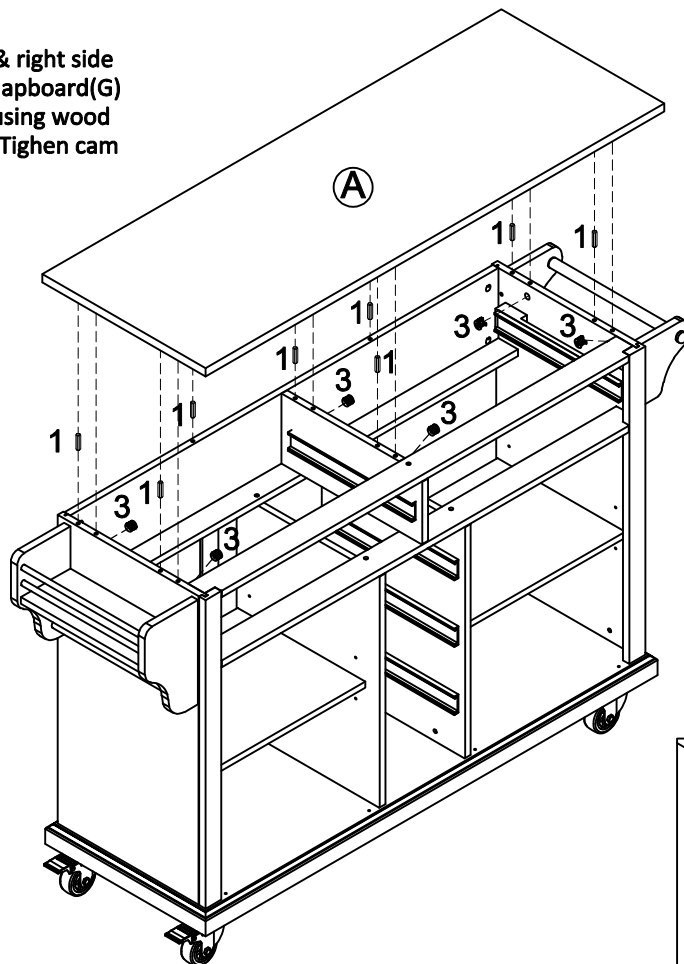
Attach left & right ear side panel (P&Q) to left side panel (B) using wood dowels (1) & hex socket head bolts (6) & allen key (8). Attach small ear (U) to right side panel (C) using wood dowels (1) and hex socket head bolt (6) & allen key(8). Insert ear bar (V).

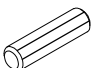



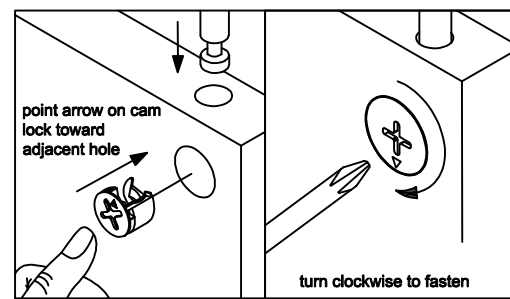
1	
	Φ8*30mm WOOD DOWEL 6 PCS
6	
	1-1/2**Ø1/4**D11mm HEX SOCKET HEAD BOLT 6 PCS
8	
	ALLEN KEY 1 PC

**STEP 16**

Attach top frame (A) to left & right side panel (B&C), upper middle clapboard(G) and back upper back rail(F) using wood dowels(1) and cam locks(3). Tighten cam locks.




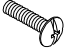
1	
	Φ8*30mm WOOD DOWEL 8 PCS
3	
	CAM LOCK 6 PCS

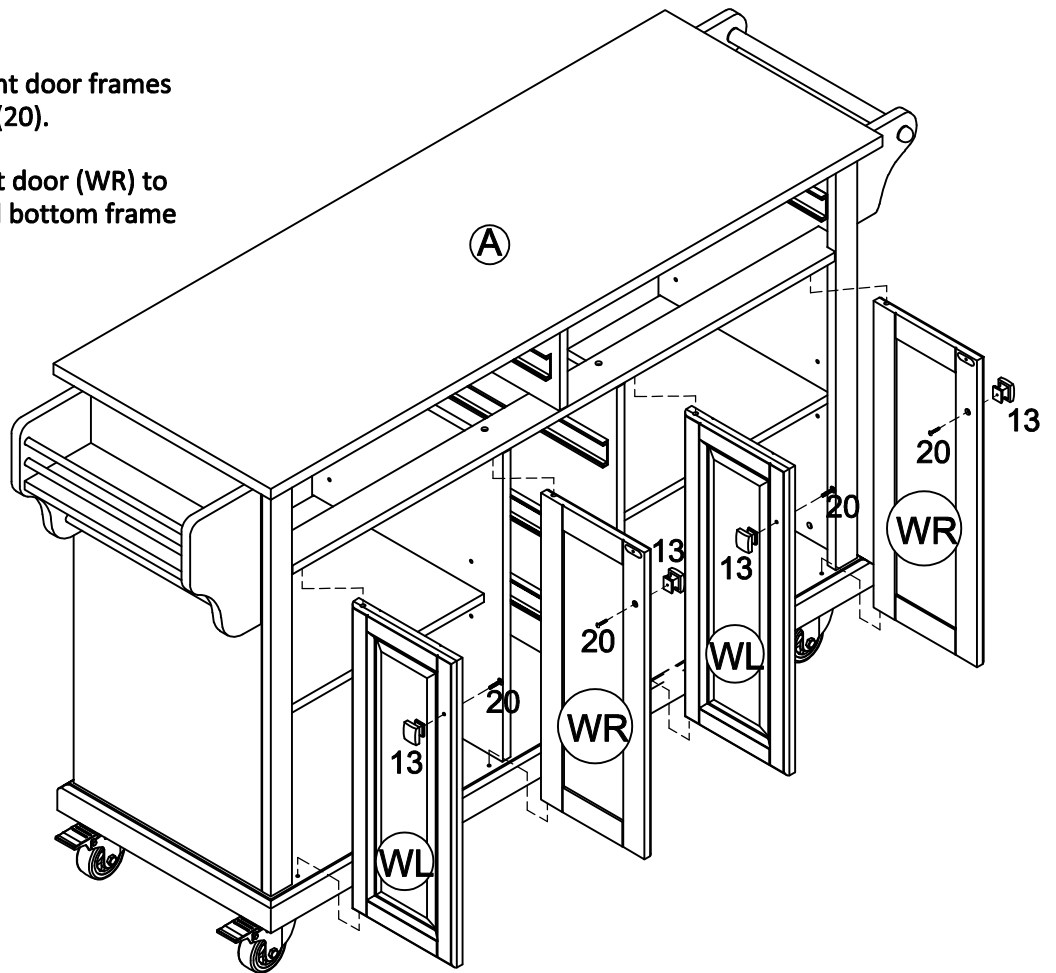


**STEP 17**

Attach knobs (13) to left & right door frames (F&G) using round head bolts (20).

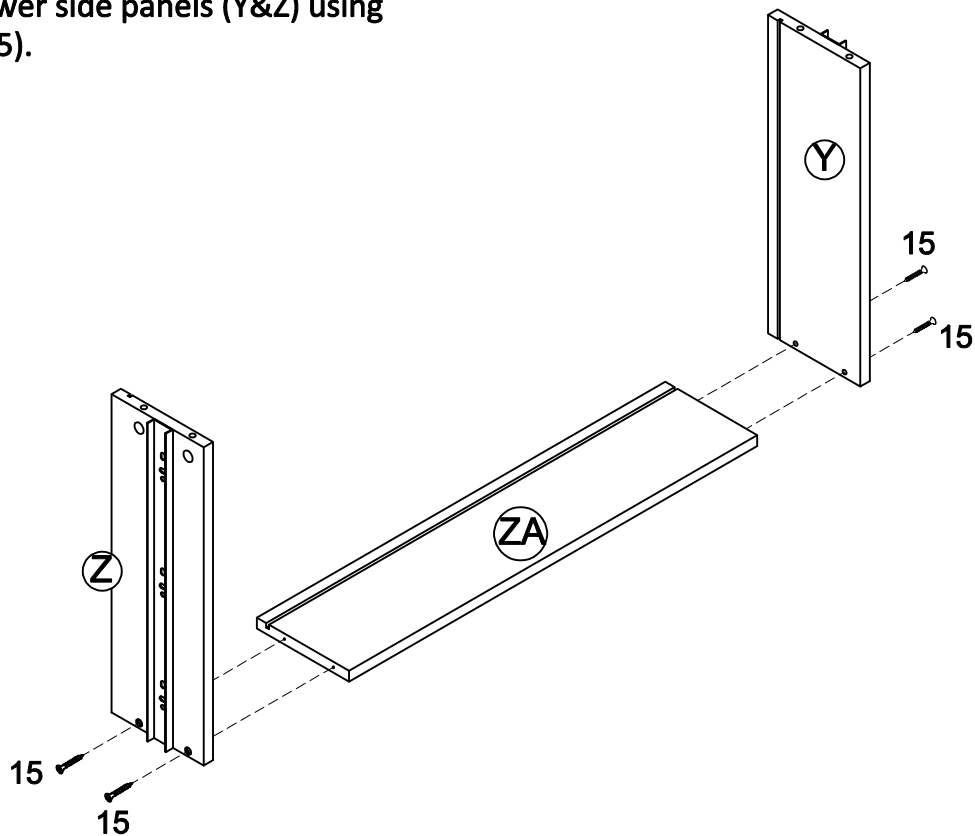
Attach left door (WL) and right door (WR) to drawer lower front rail (J) and bottom frame (N).


13

KNOB 4 PCS
20

22mm*Ø5/32**D9mm ROUND HEAD BOLT 4 PCS



**STEP 18**

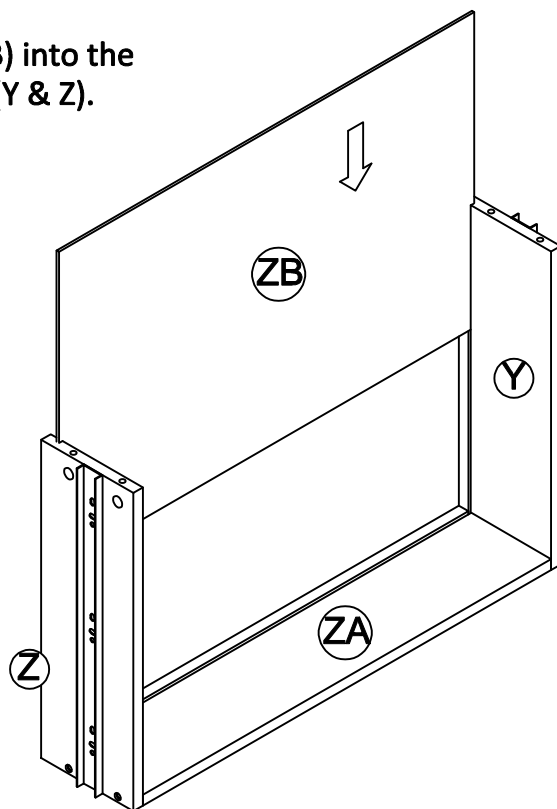
Attach small drawer back panel (ZA) to small drawer side panels (Y&Z) using screws (15).



15

1**Ø4**D8mm SCREW 8 PCS

**STEP 19**

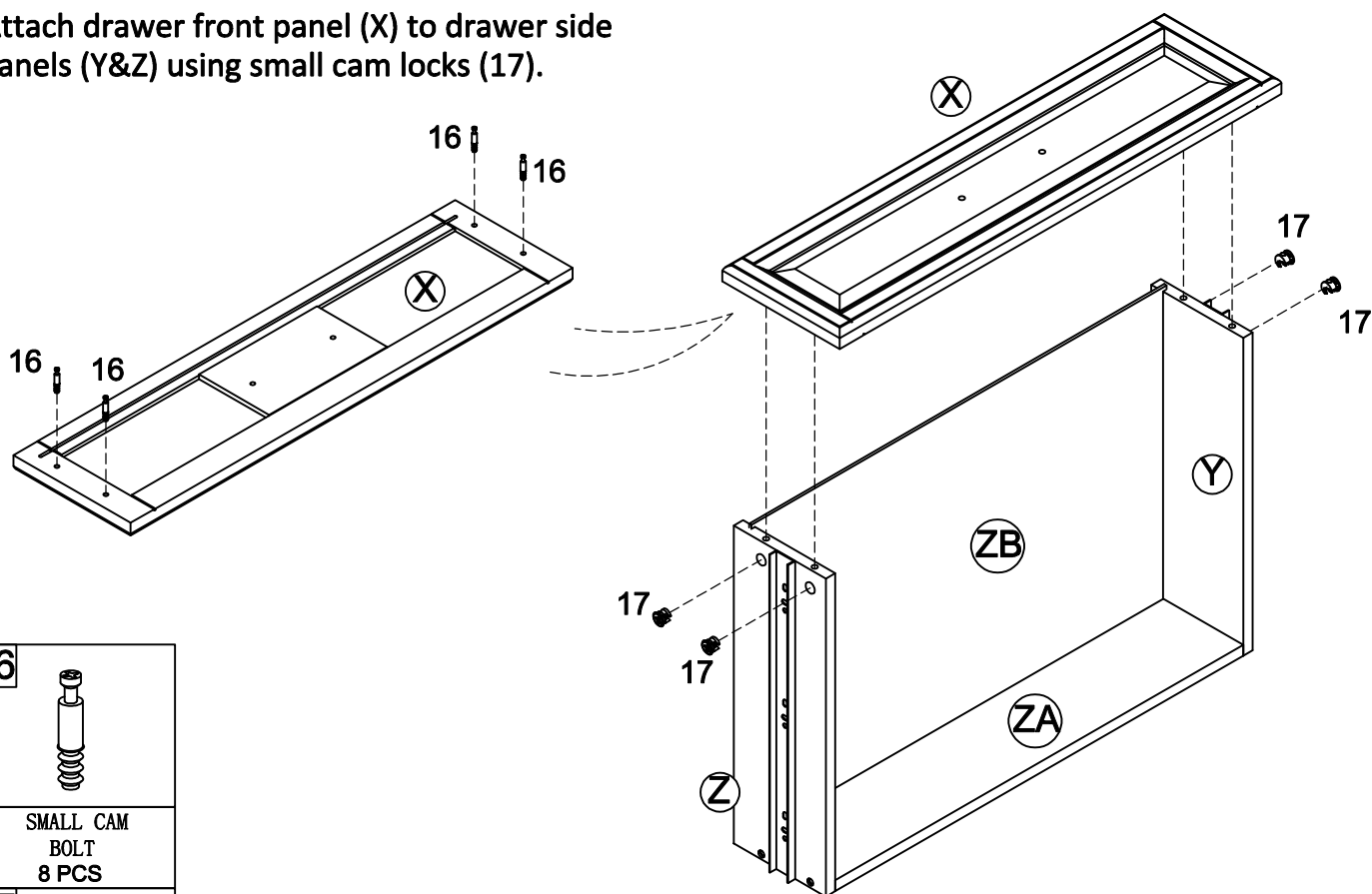
Insert drawer bottom panel (ZB) into the grooves of drawer side panels (Y & Z).





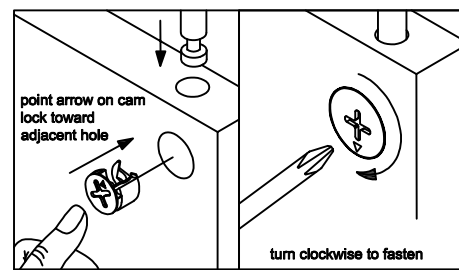
**STEP 20**

Lock the small cam bolts (16) into drawer front (X).

Attach drawer front panel (X) to drawer side panels (Y&Z) using small cam locks (17).



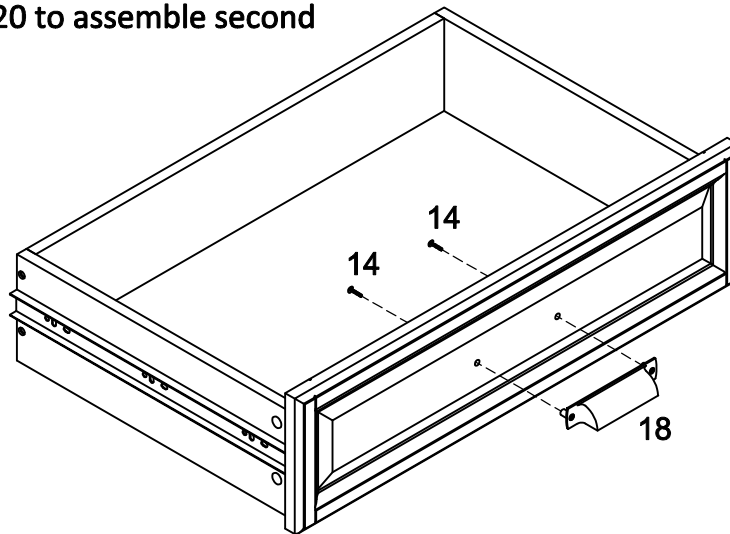
16	
	SMALL CAM BOLT 8 PCS
17	
	SMALL CAM LOCK 8 PCS


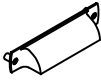


**STEP 21**

Attach drawer pull (18) to drawer front (X) using round head bolts (14).

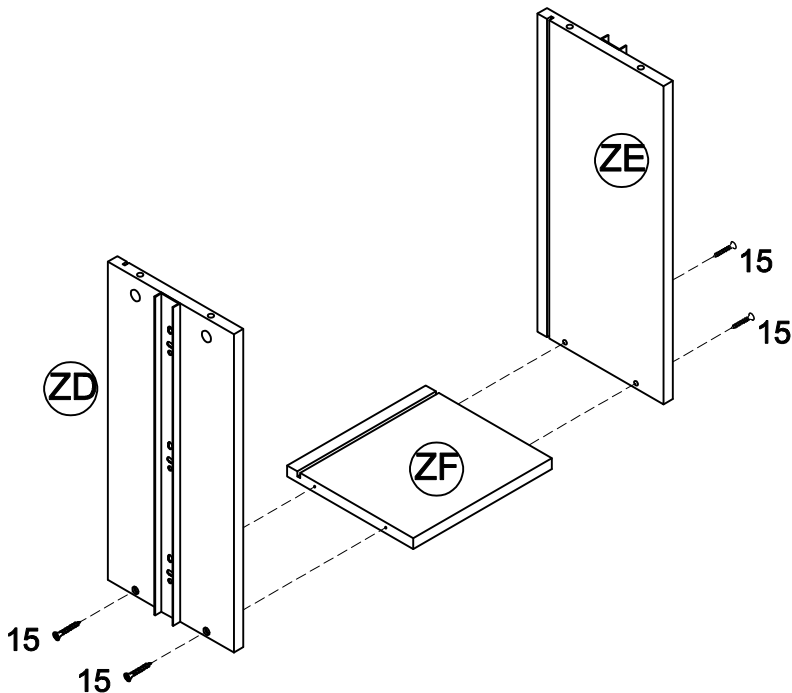
Repeat steps 17 through 20 to assemble second drawer.




14

12mm*Ø5/32**D9mm
ROUND HEAD BOLT
4 PCS
18

DRAWER PULL
2 PCS

**STEP 22**

Attach big drawer back panel (ZF) to big drawer side panels (ZD&ZE) using screws (15).

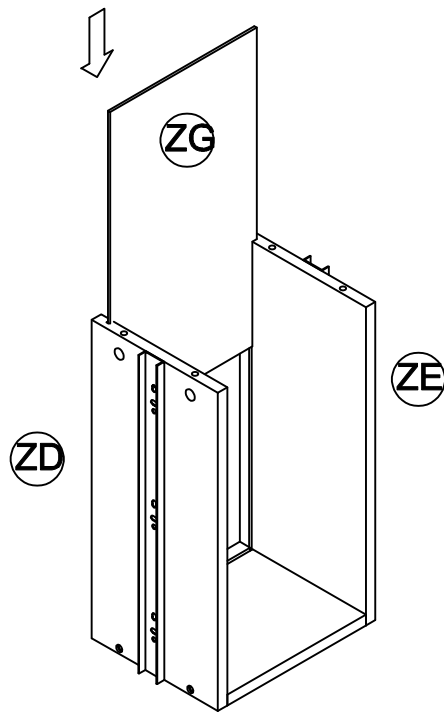


15

1**Ø4**D8mm
SCREW
12 PCS

X 3

**STEP 23**

Insert big drawer bottom panel (ZG) into the grooves of drawer side panels (ZD & ZE).

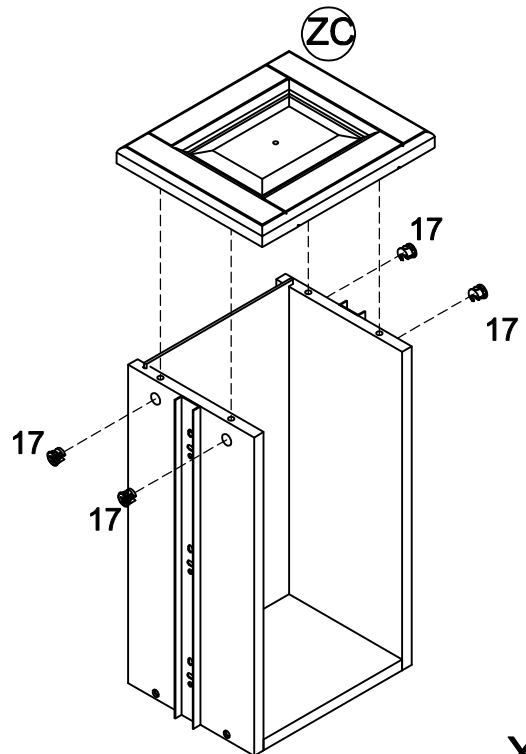
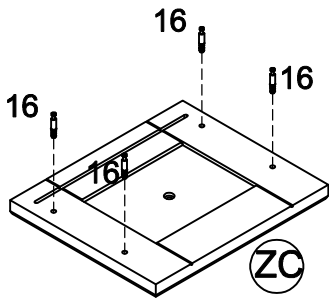


**X 3**

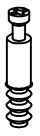

**STEP 24**

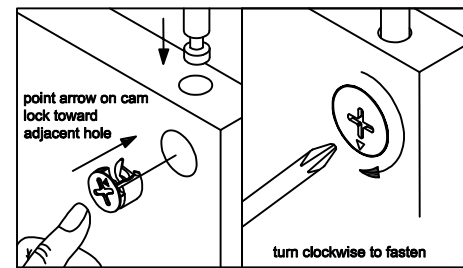
Lock the small cam bolts (16) into big drawer front (ZC).

Attach big drawer front panel (ZC) to big drawer side panels (ZD&ZE) using small wood dowels (19) and small cam locks (17).



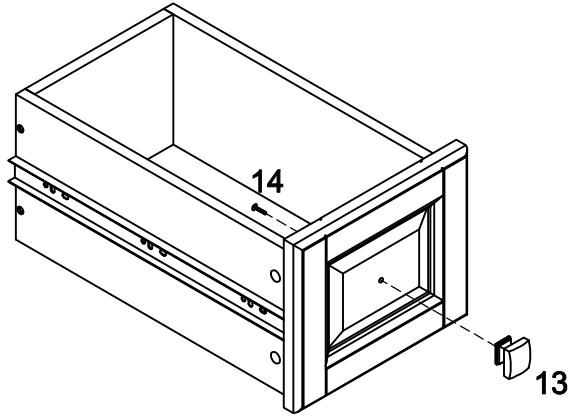
**X 3**

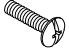

<b>16</b> 	<b>17</b> 
SMALL CAM BOLT 12 PCS	SMALL CAM LOCK 12 PCS



**STEP 25**

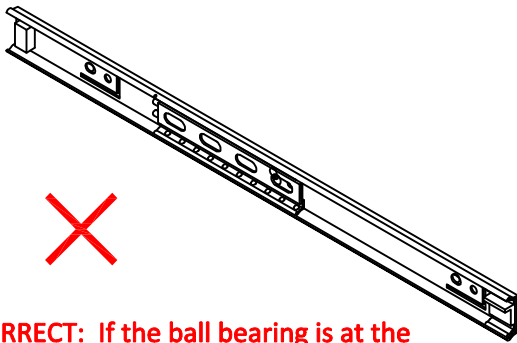
Attach drawer pull (18) to big drawer front (ZC) using round head bolts (23).



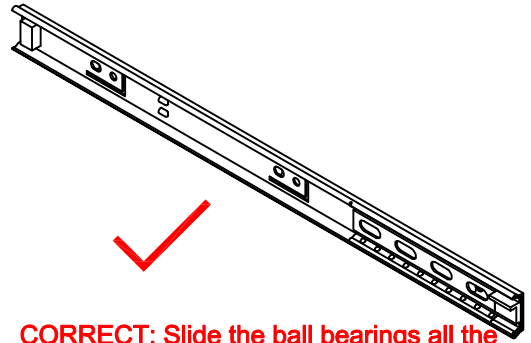
23

18mm*Ø5/32**D9mm
ROUND HEAD BOLT
3 PCS
13

KNOB
3 PCS

X 3

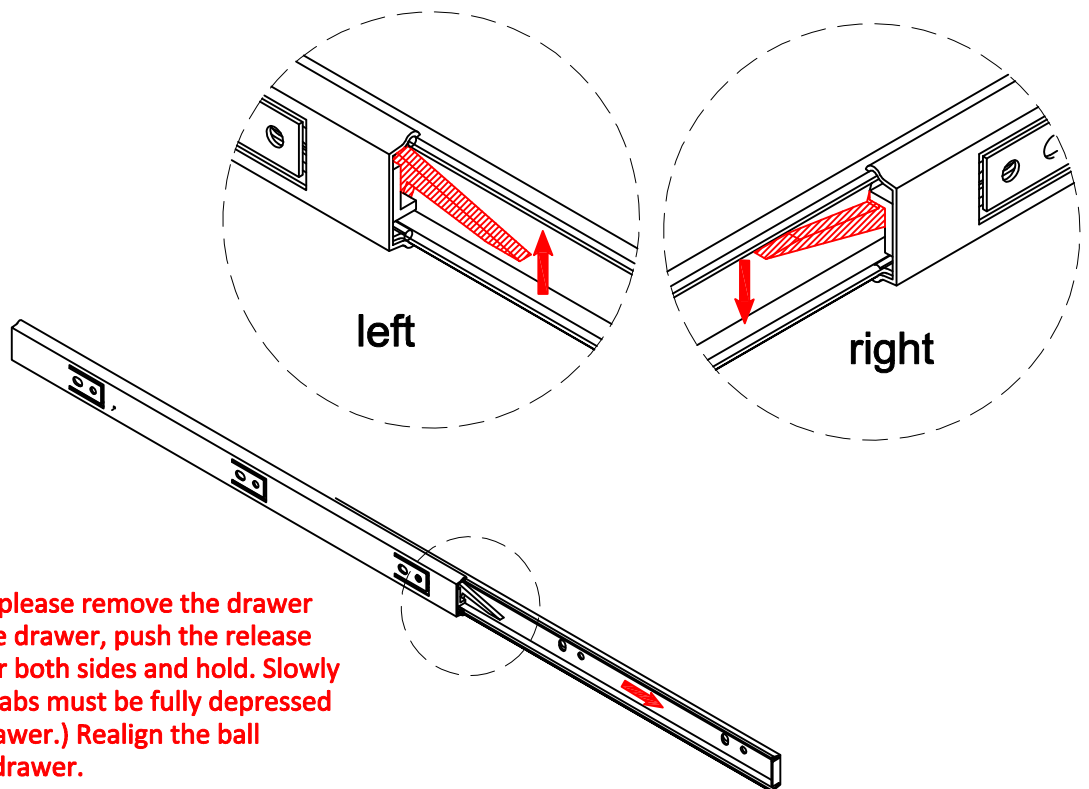
### Attention of Inserting Drawer



**INCORRECT:** If the ball bearing is at the back of the glide when the drawer is inserted, the glide will not align and can be damaged causing the drawer to jam.



**CORRECT:** Slide the ball bearings all the way to the front of the glide. Carefully align the rails on the drawer with the rails on the cart and insert slowly. **DO NOT FORCE.**



**NOTE:** If the drawer jams, please remove the drawer and realign. To remove the drawer, push the release tabs as indicated above for both sides and hold. Slowly remove the drawer. (The tabs must be fully depressed and held to release the drawer.) Realign the ball bearings and reinsert the drawer.

**STEP 26**

Insert the drawers into the kitchen cart to complete assembly. The cart is now ready for use.

**Note:** When installing the drawer, please don't attempt to insert it all at once, please slide it in and out a few times and then apply a bit more force to push it firmly into place.

