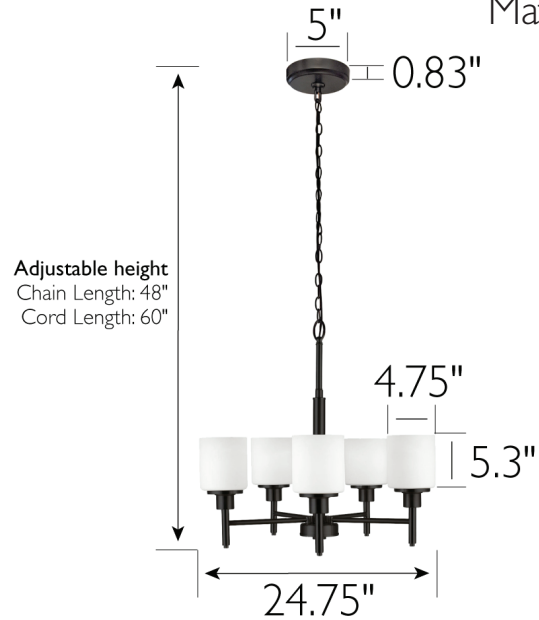


# SPECIFICATION

INDOOR LIGHTING

## 5-Light Chandelier Matte Black



### SPECIFICATIONS

MOUNTING:	Chandelier	LED BRIGHTNESS (LUMENS):	N/A
SLOPED CEILING ADAPTABLE:	No	LED COLOR CORRELATED TEMPERATURE (CCT):	N/A
LAMP TYPE 1:	Maximum 60W Medium Base Bulb	LED COLOR RENDERING INDEX (CRI):	N/A
BULB INCLUDED:	No	LED EFFICACY:	N/A
WATTS PER BULB:	60W	LED AVERAGE RATED LIFE:	N/A
TOTAL WATTAGE:	300W	ENERGY EFFICIENT:	No
DIMMABLE:	Yes	LIGHTING AMPS:	2.5
MATERIAL CONSTRUCTION:	Steel	VOLTAGE:	120V
ASSEMBLED DIMENSIONS:	23.63" H x 24.75" L x 24.75" D		
WEIGHT:	10.14 lbs.		
BACKPLATE DIMENSIONS:	N/A		
CANOPY/PLATE DIMENSIONS:	0.83" H x 5" W x 5" D		
GLASS/SHADE DIMENSIONS:	5.3" H x 4.75" L x 4.75" D		
GLASS/SHADE MATERIAL:	Glass		
GLASS/SHADE TYPE:	Frosted		
GLASS/SHADE COLOR:	White		

WARRANTY:	10-Year limited warranty
UL/ETL CERTIFICATION:	cETL/ETL
WET/DRY/DAMP LISTING:	Dry
ADA COMPLIANT:	No
ENERGY STAR CERTIFIED:	No



TYPE:  
JOB:  
ORDER CODE:  
APPROVALS: