

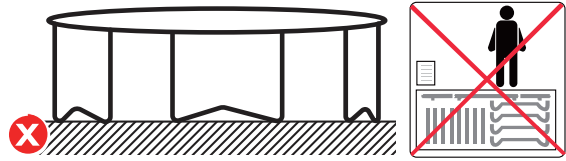
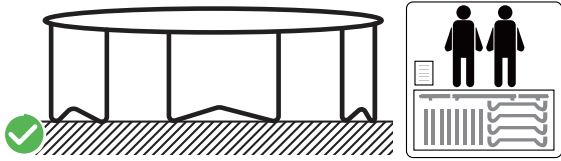
# TRAMPOLINE WITH ENCLOSURE NET USER MANUAL

MSG-TX-8X14

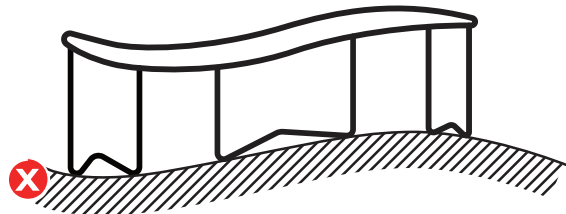
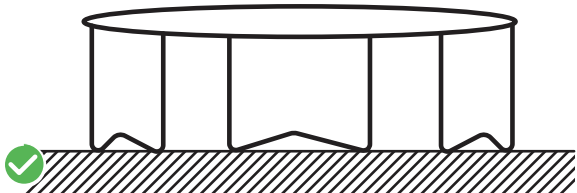


If you can't contact the seller in case of any problems, please contact the trampoline factory through this email address and we will provide you with assistance: [service@cnmersco.com](mailto:service@cnmersco.com)

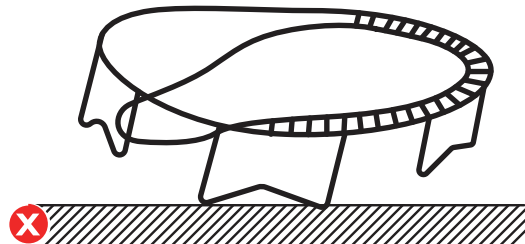
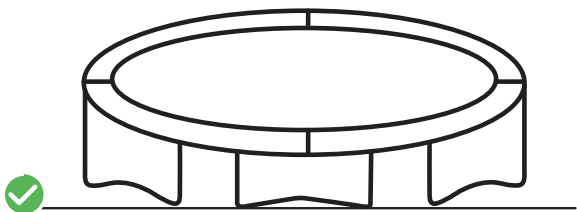
# INSTALLATION WARNING



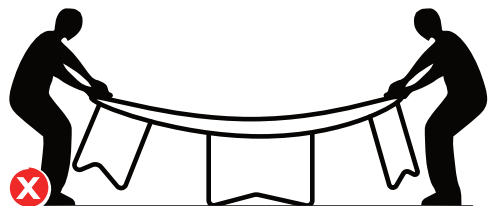
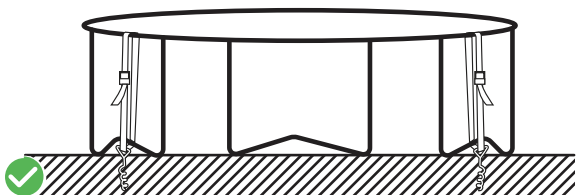
1. Please make sure at least 2 people install the trampoline.



2. Please install the trampoline on the flat and non-slippery ground.



3. Please install the springs in the X-shape order one by one as requested in the instructions.



4. Please do not move or lift the trampoline during or after installation but use the tie down stakes kit to secure it.

# USE WARNING



Do not somersault or flip.



Do not dunk and hold onto the ring.



Do not jump onto the trampoline from a height.



Do not intentionally hit the safety enclosure net.



Do not use the trampoline in stormy weather but disassemble and store it.



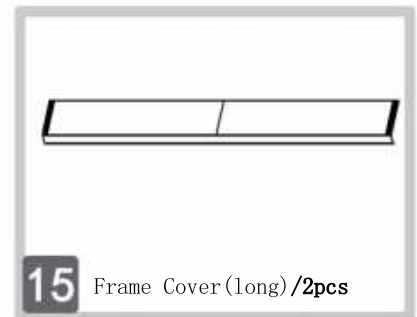
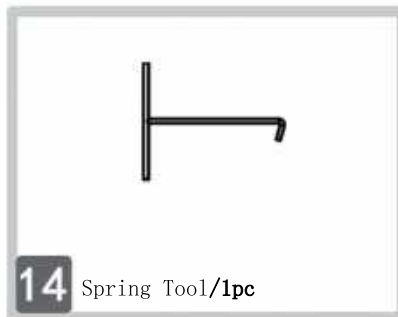
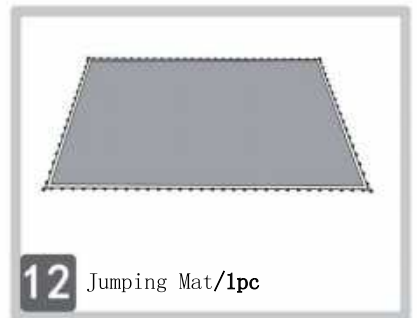
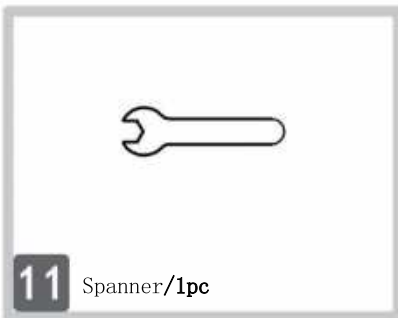
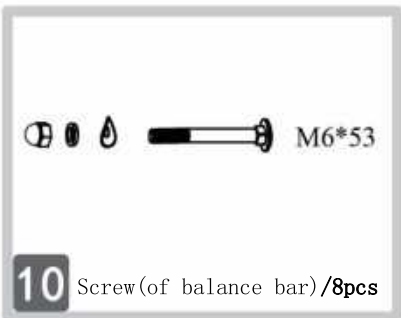
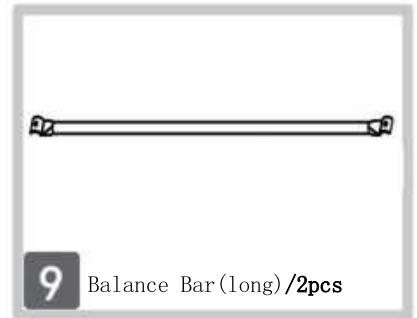
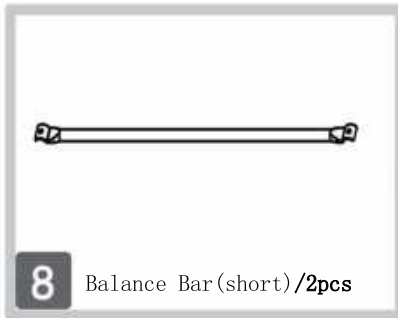
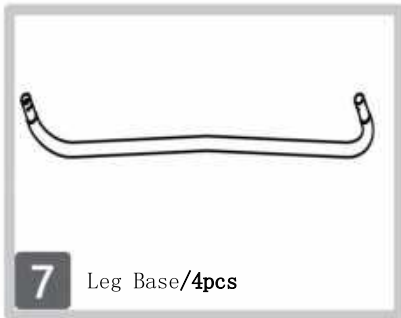
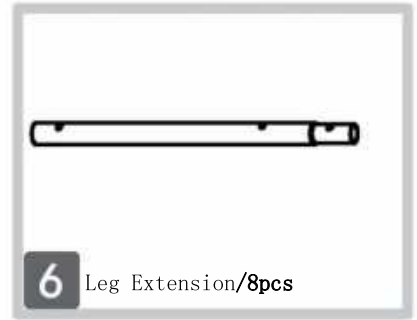
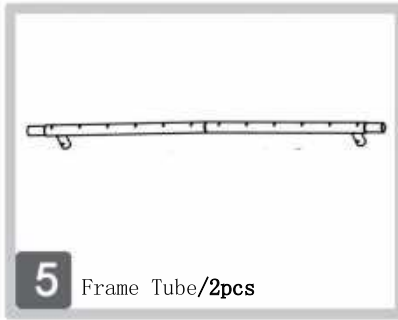
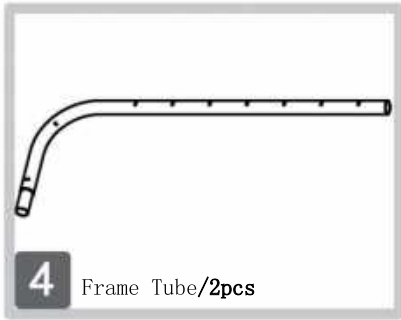
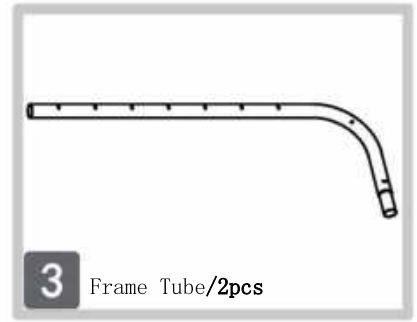
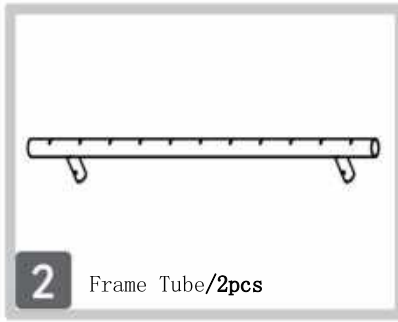
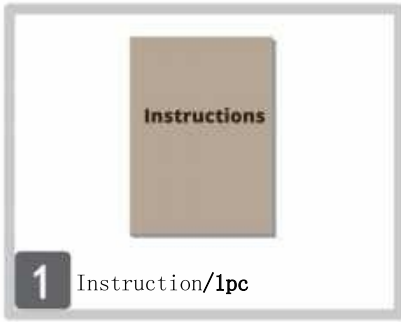
Do not exceed 440lbs for a single user and do not exceed the total weight for multiple users.

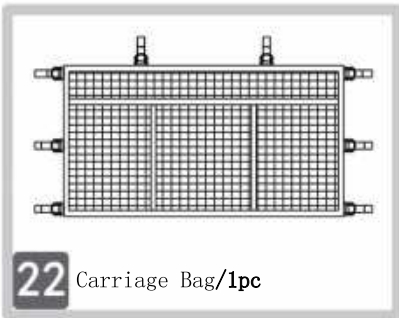
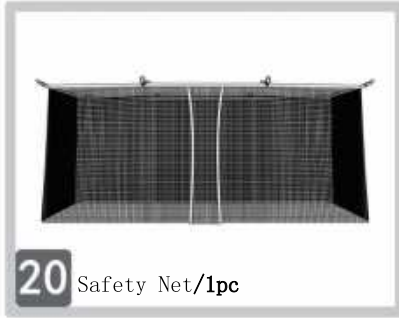
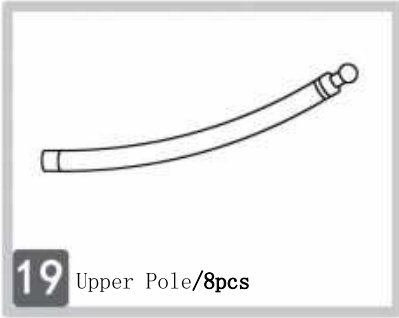
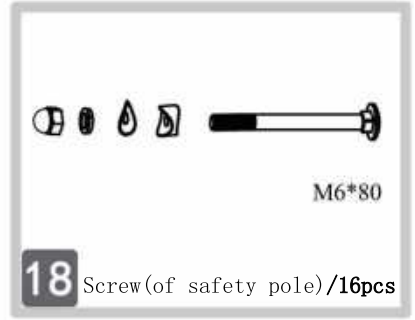
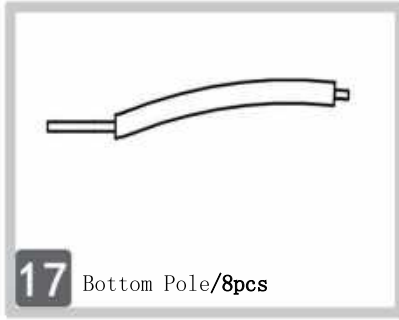
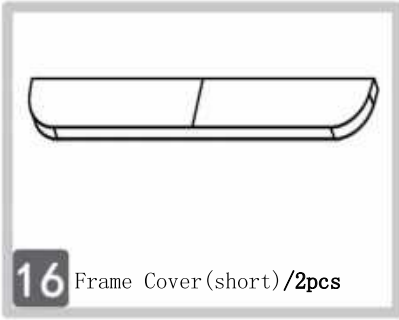


Do not place any sharp objects on the trampoline.



Do not use during pregnancy, high blood pressure or other injuries.





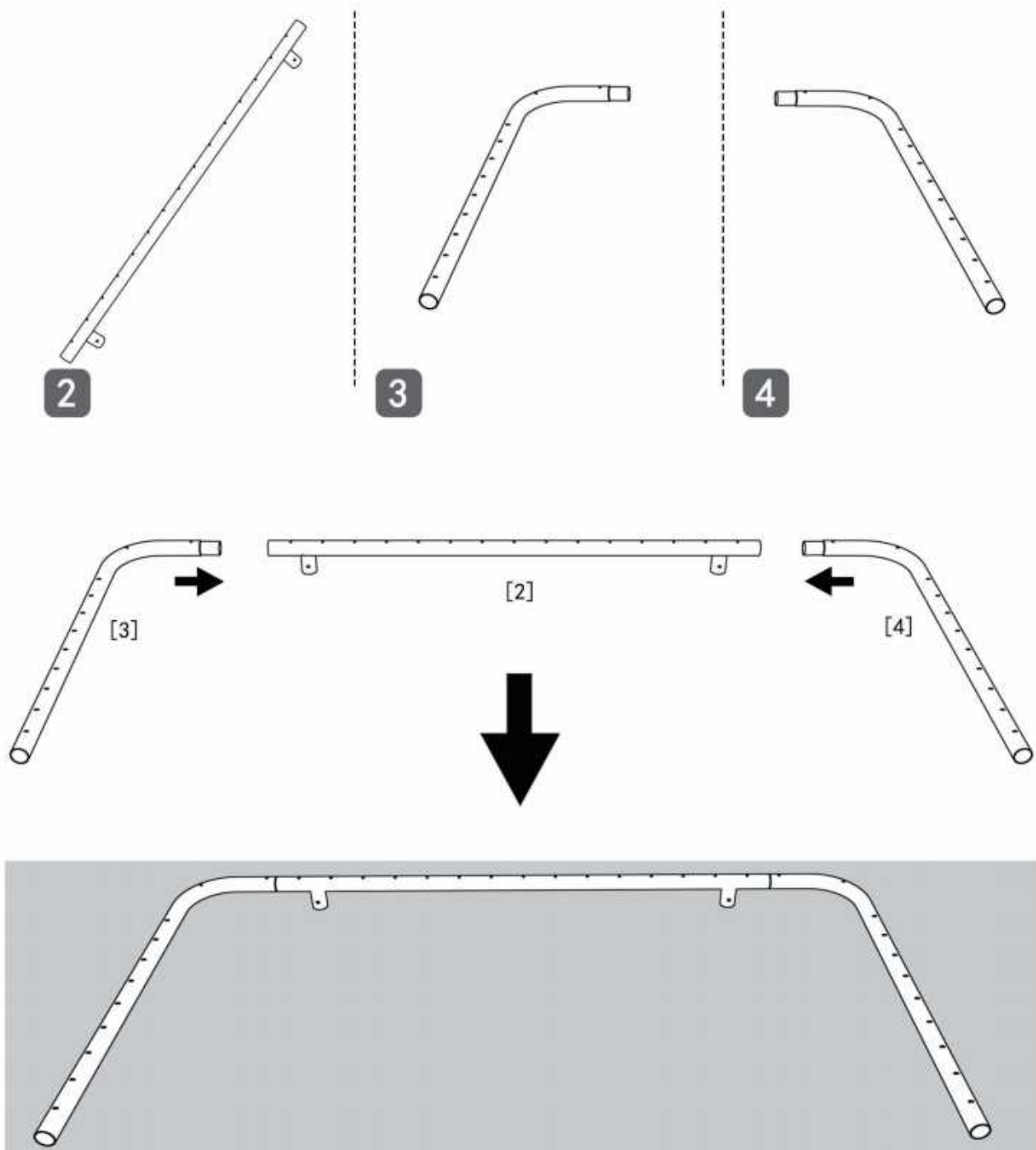
## INSTRUCTION

### STEP 1

Please arrange pipe(#2/3/4) correctly in the same area in advance according to the part number. Attach the pipe by joint.

**tip:** You can use great force if it is too tight, the tighter the trampoline will be more stable

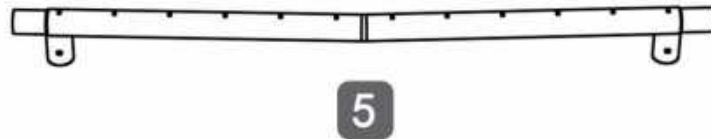
Make sure you find the most flat place and it's plenty enough to put a trampoline



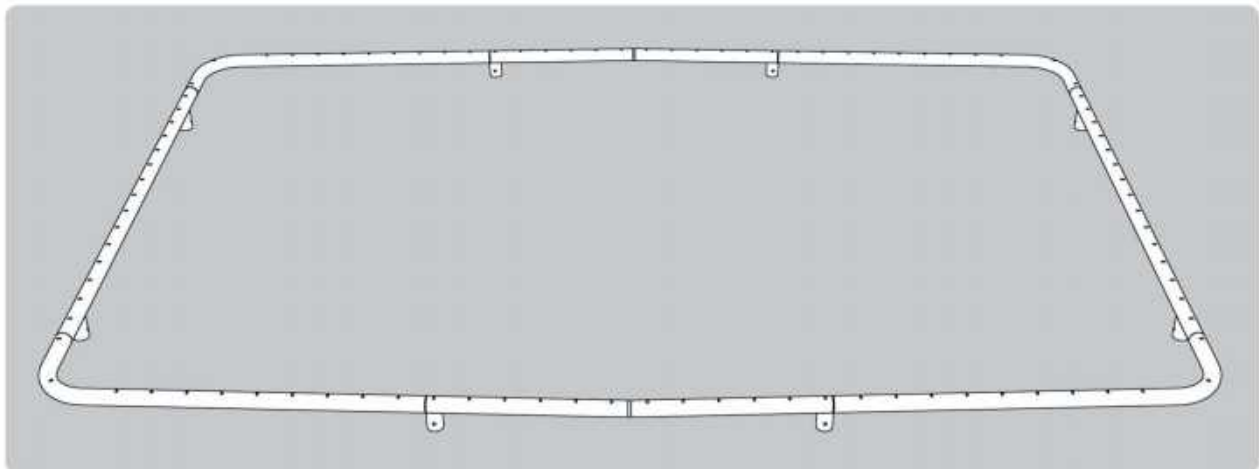
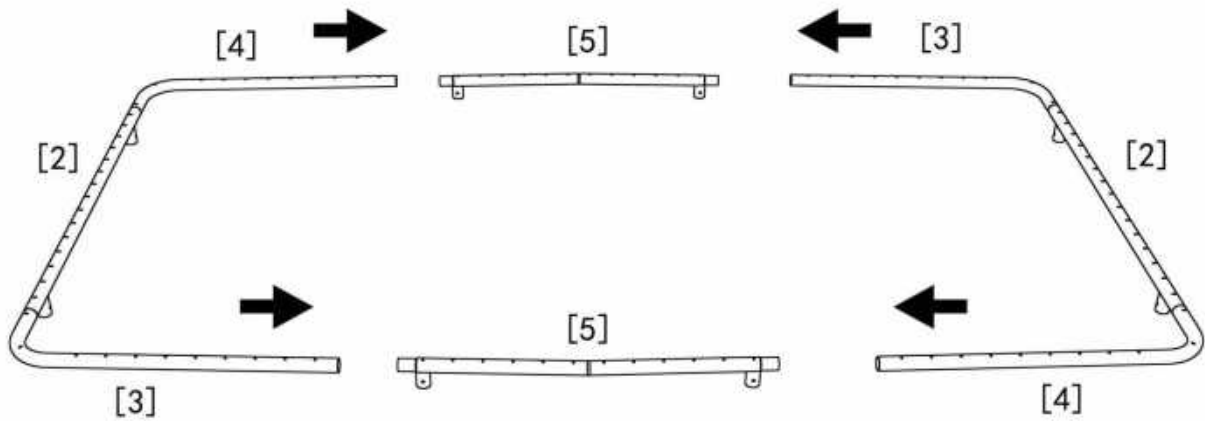
**STEP 2**

Please insert pipe(#5) into pipe(#3/4)

tip:You can use great force if it is too tight, the tighter the trampoline will be more stable



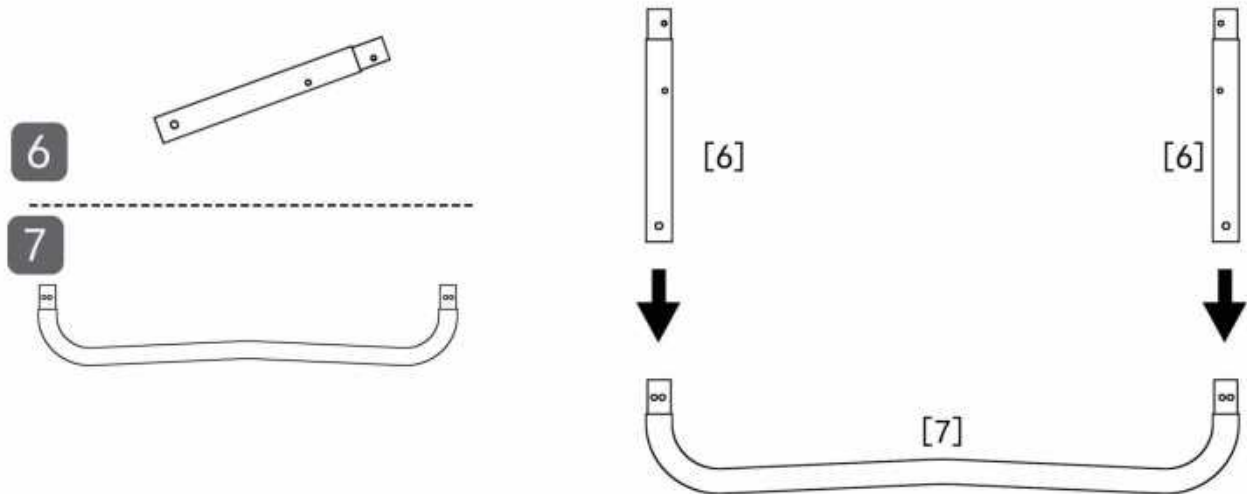
**TIP !!!**  
Please note that frame tube(#5) is not straight, Please don't worry, and the trampoline will be more rectangular after it is completely installed.



### STEP 3- Leg Base Assembly

Slide all Vertical Leg Extensions (#6) into the Leg Base (#7) as shown, make sure all 4 of the leg bases are attached to the Vertical Leg Extensions.

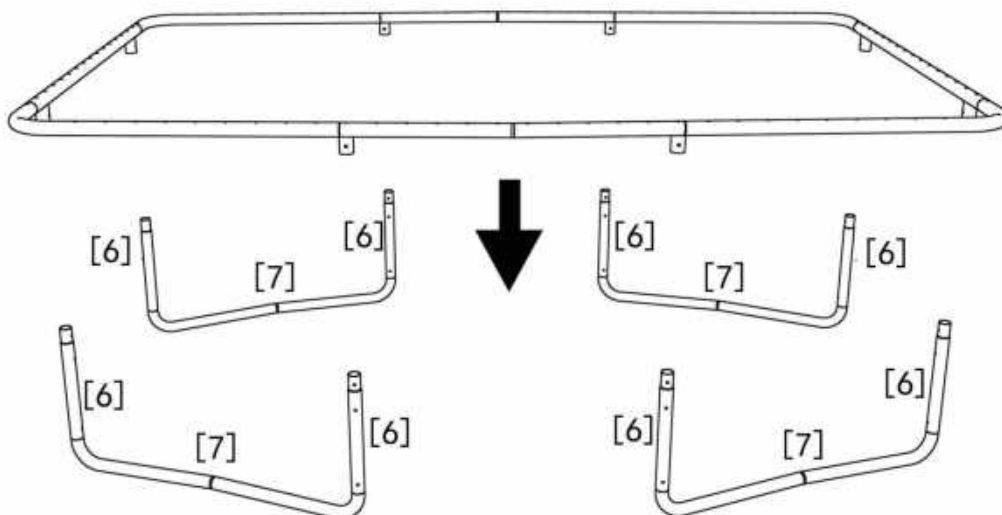
(Screwless installation for this step)



### STEP 4

Make sure you find the most flat place and it's plenty enough to put a trampoline, 2 people would be necessary at this part.

One person lifts the frame and the other person buckles the installed leg bases into the corresponding holes. Keep repeating step 4 until the 4 bases are connected, as shown in the picture.



### STEP 5-Install the Balance Bar

Use the Leg Base Screw(#10) to install the Balance Bar(#8/9) on the outside of the Leg Base, as shown in the picture below.

Remember: The balance bar is connected between leg to leg, not inside of one leg  
Please differentiate the length of the balance bar.

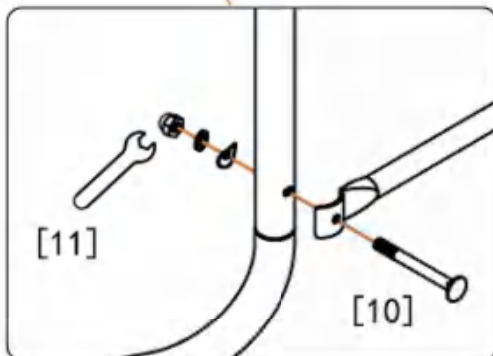
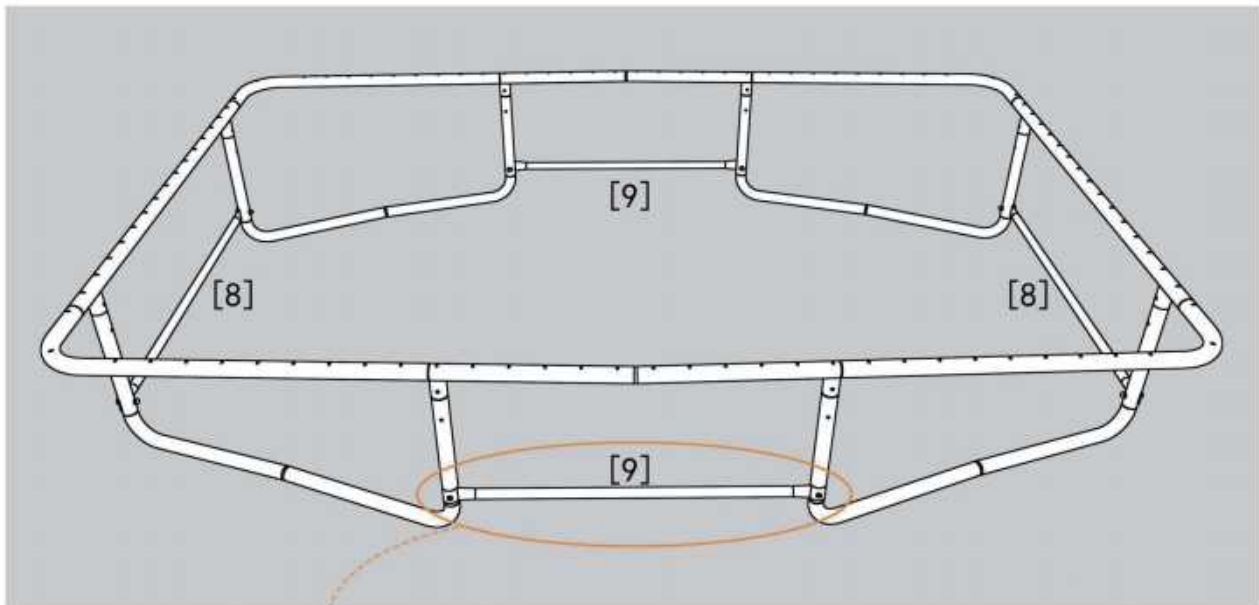
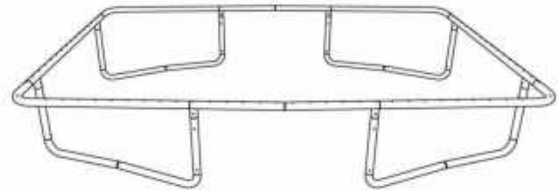
8

short balance bar



9

long balance bar

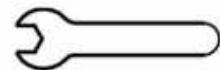


10



M6\*53

11

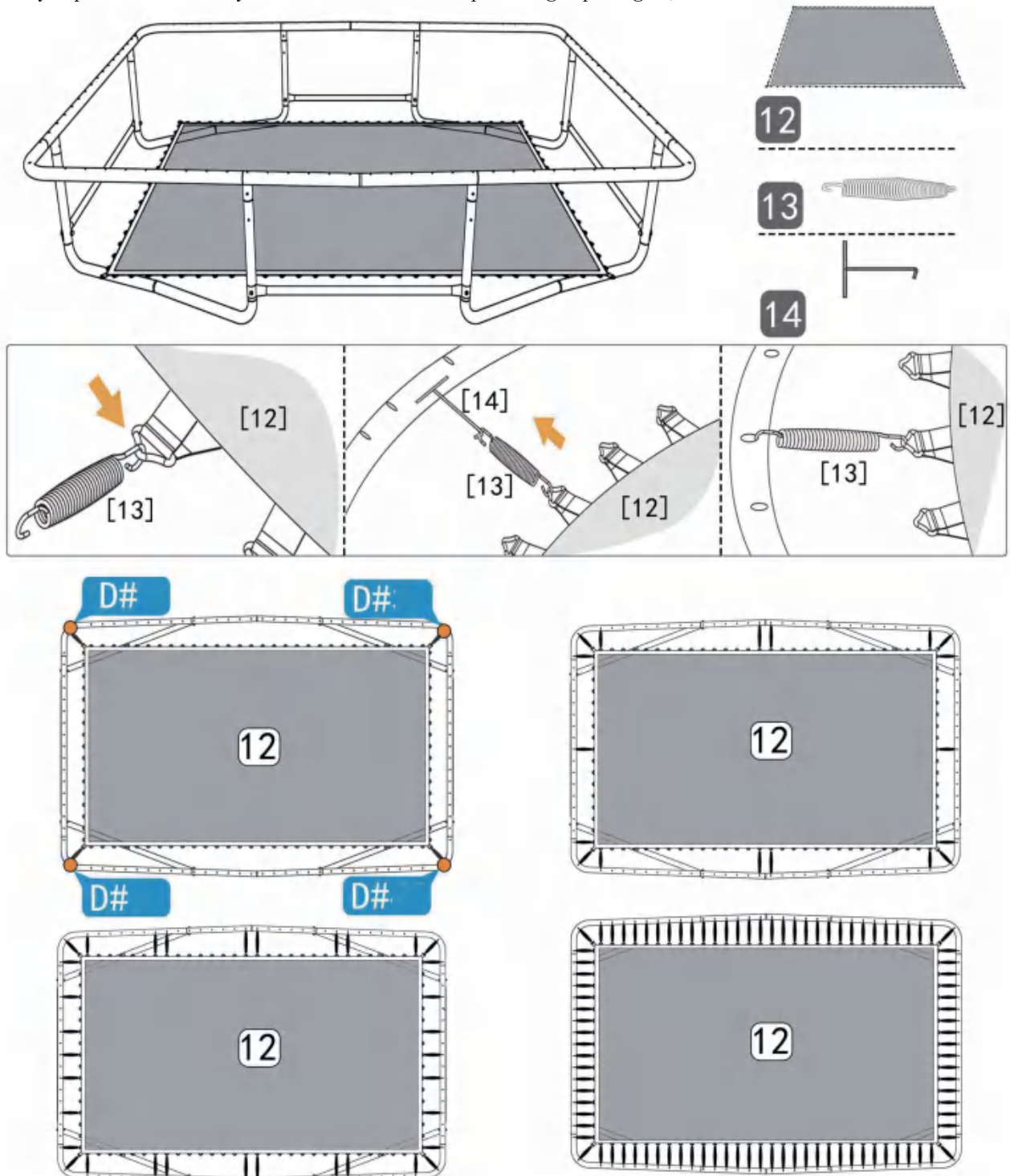


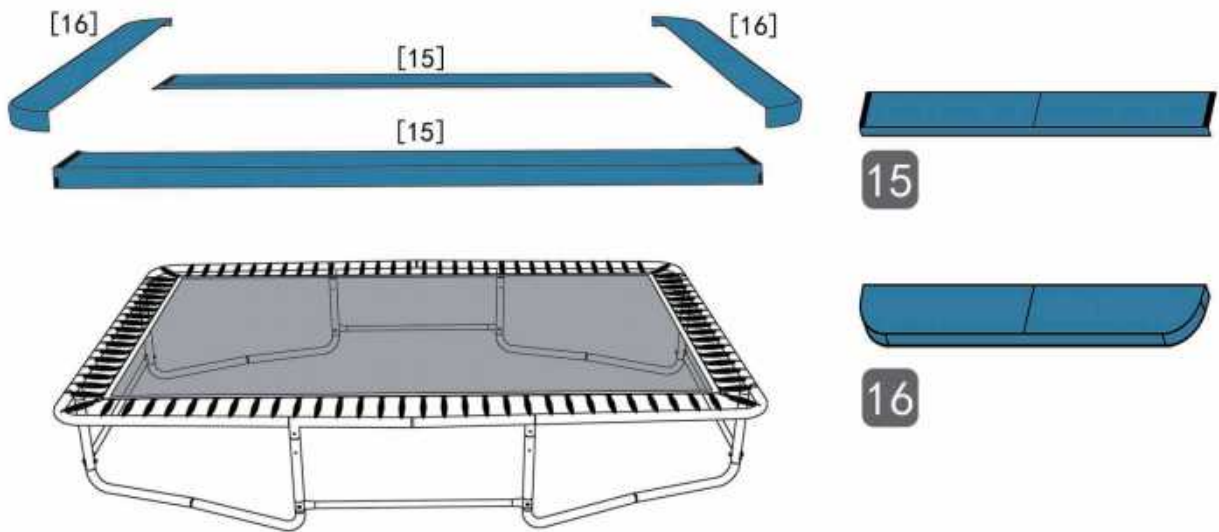
### STEP 6-Jumping Mat Assembly:

Insert one end of the Spring (#13) in the triangle ring of the Jumping Mat (#12) and pull it with Spring Tool (#14) and then insert the other end into the frame tube hole.

Assemble the four corner of jumping mat first, and then assemble the mid points of the four sides; then divide them and assemble in the middle of the interval, finally, assemble all the springs arbitrarily (as shown in the figure below).

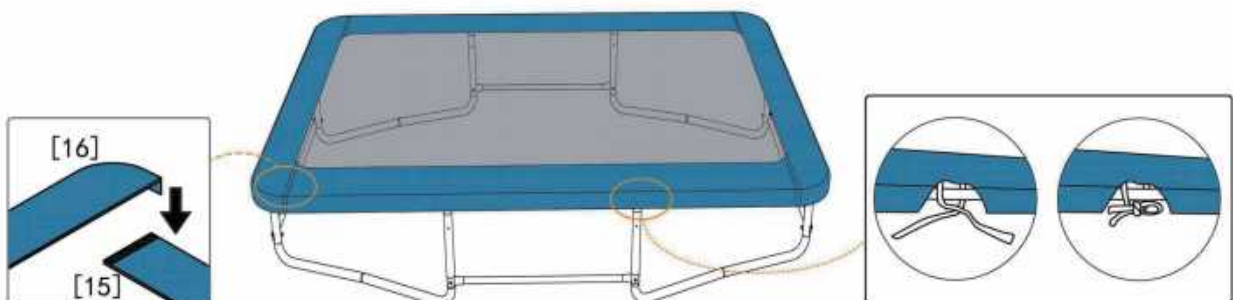
(Evenly spaced assembly saves labor when pulling springs.)

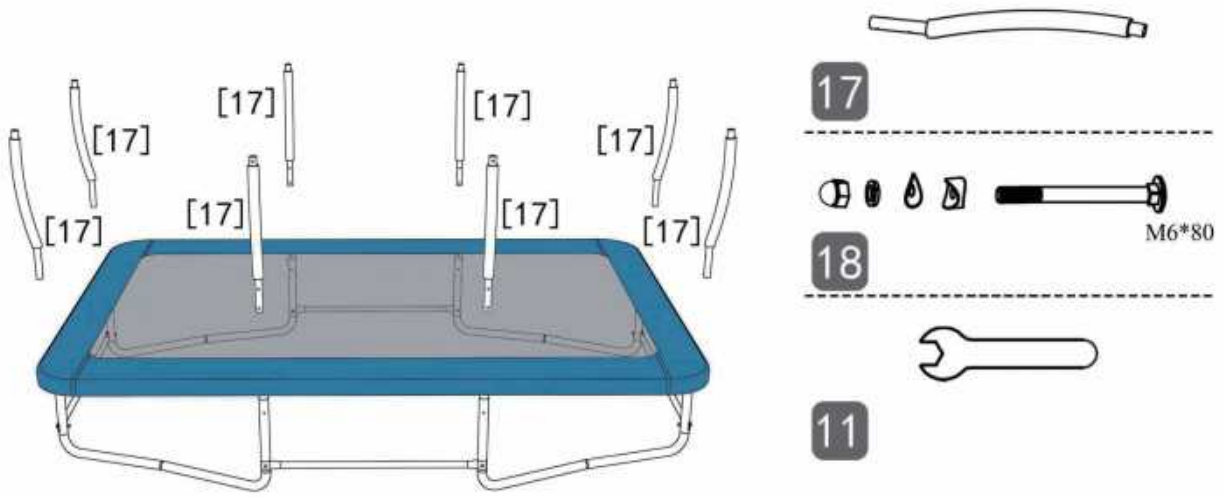




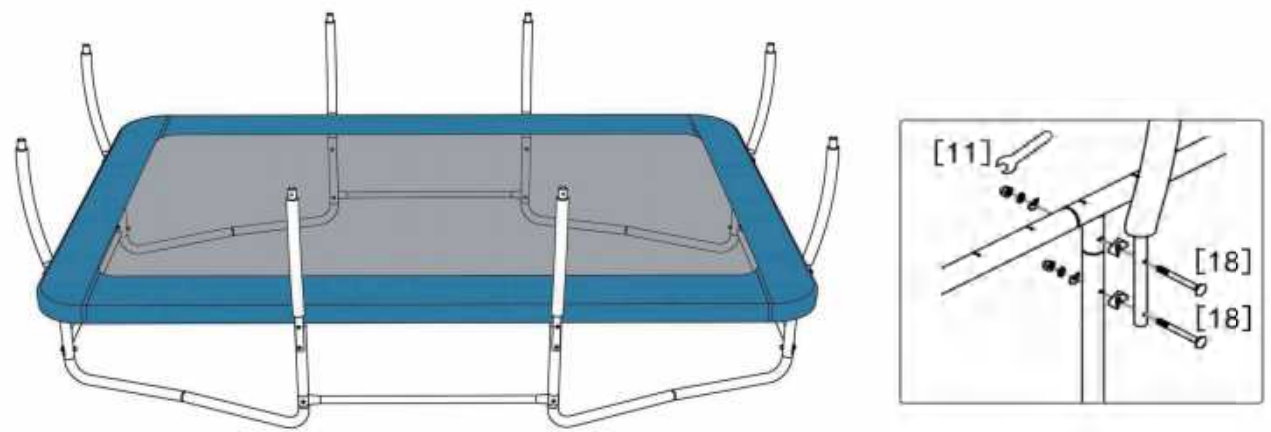
### STEP 7

Please lay the frame cover pad (#15/#16) over the springs; The cover pad (#15) and (#16) are connected by velcro, which needs to be fastened to each other; Tie the strap located at the under side of the cover pad to the frame.



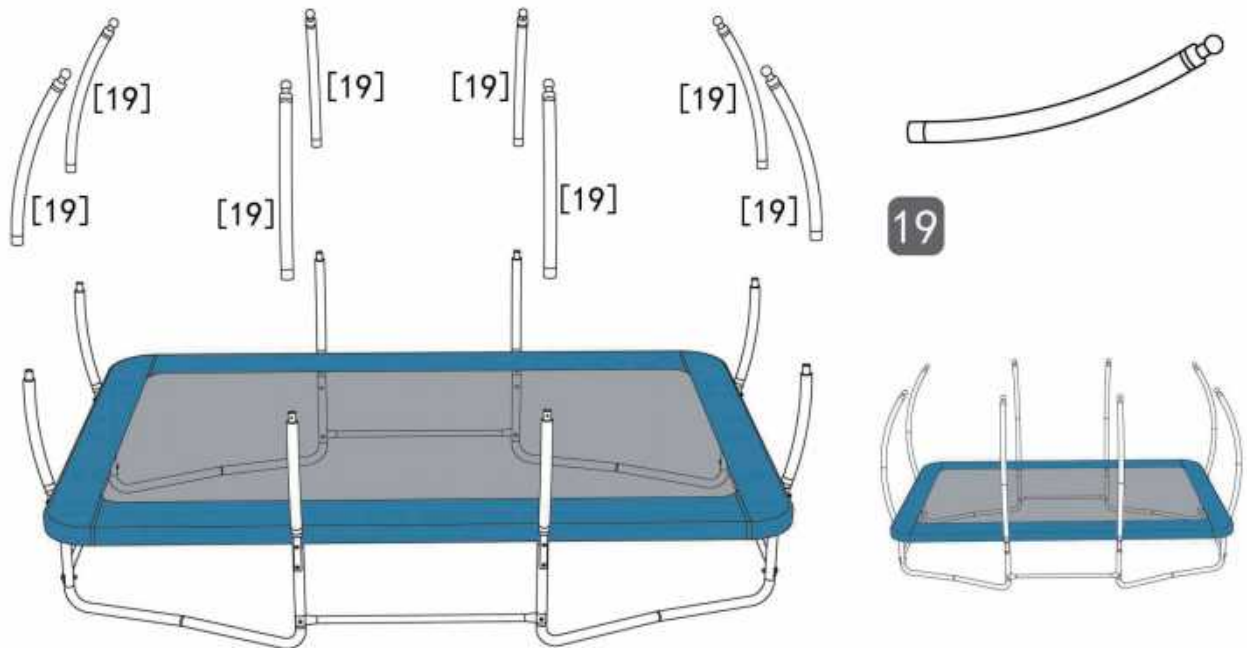
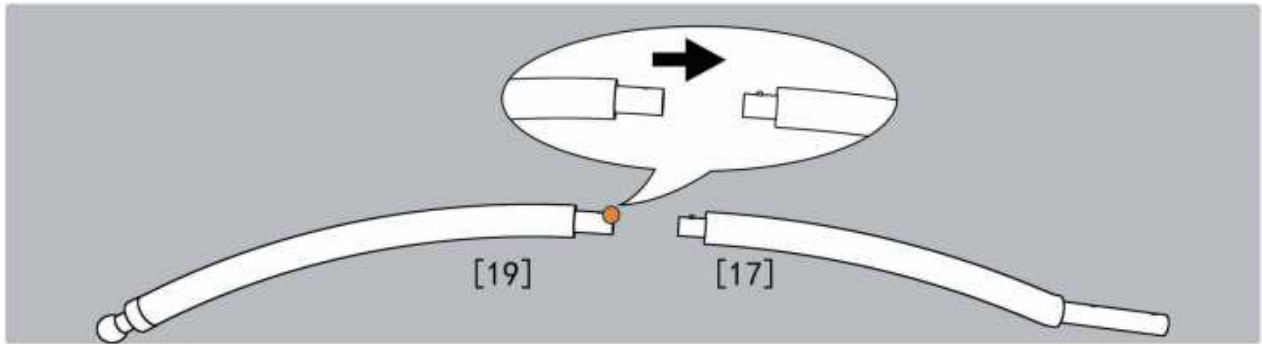


**STEP 8**  
 The Bottom Safety Pole(#17) is locked and fixed in the two holes at the upper end of leg extension (#6) with screw(#18)  
**Tip:**The bend side of cover pad(#15/16) should be outside



**STEP 9**

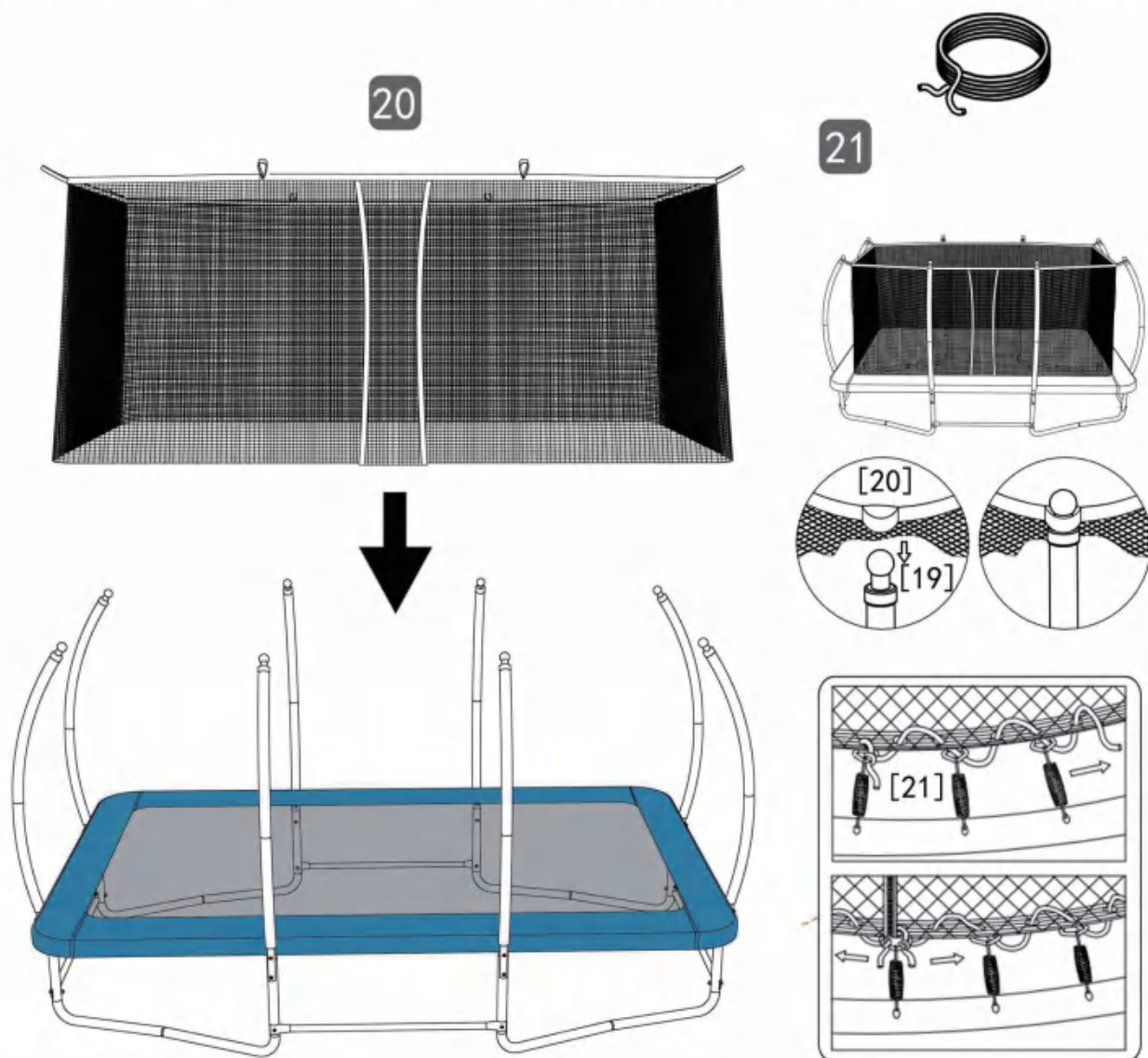
Please insert the up safety pole(#19) into the top of the bottom safety pole(#17)  
(The marbles in the poles will be automatically snapped into place)



## STEP 10

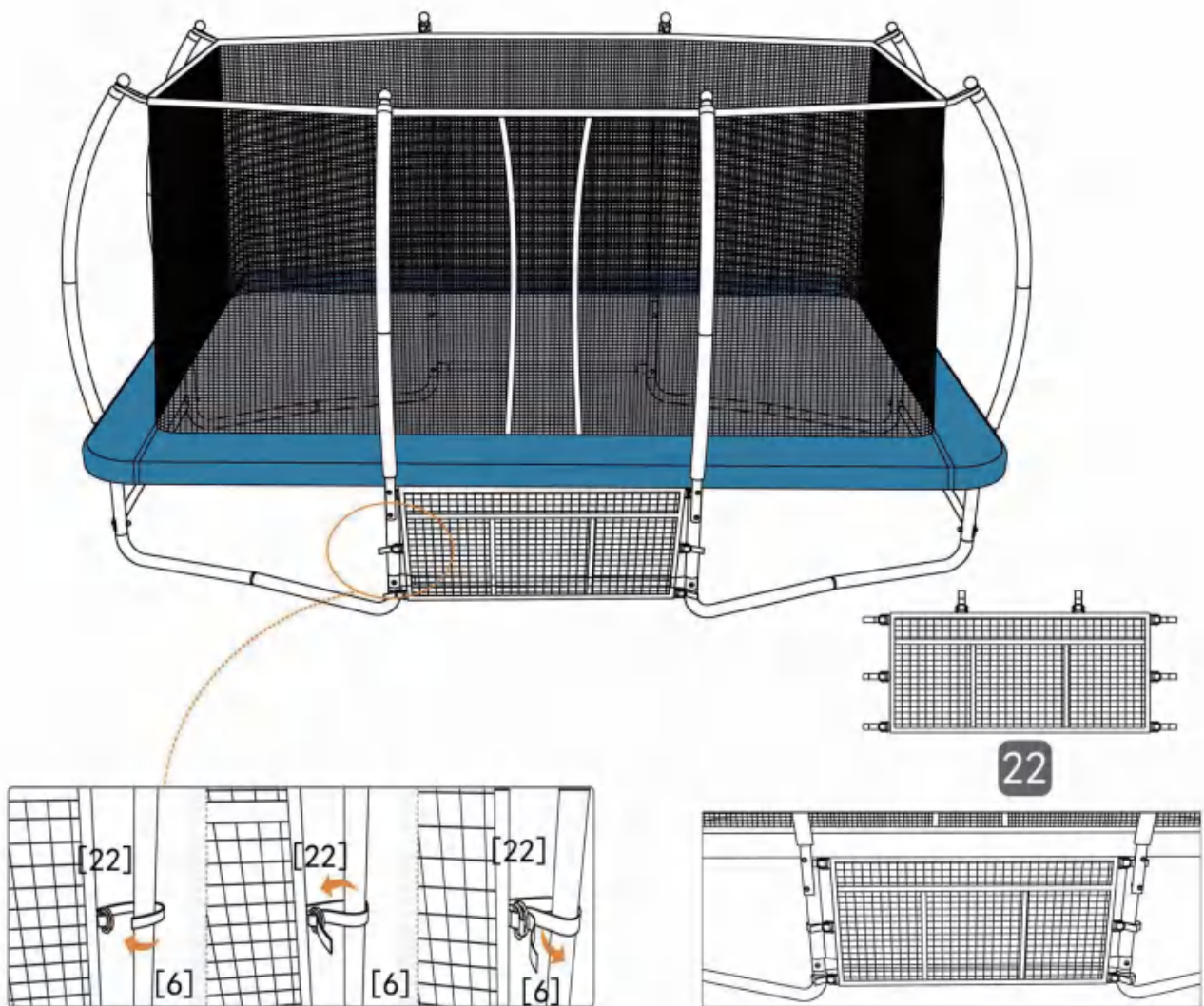
The upper end of the safety net (#20) is attached to the cap of the upper safety pole (#19); Before assembling, it is necessary to determine the door direction of safety net first, the door faces the middle of the long side of the trampoline;

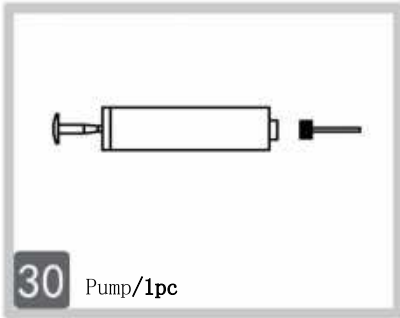
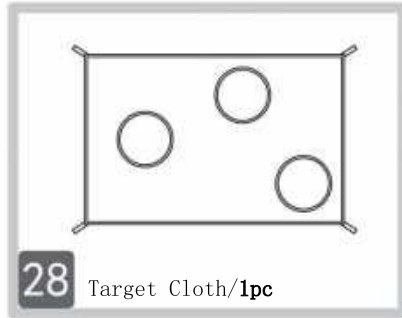
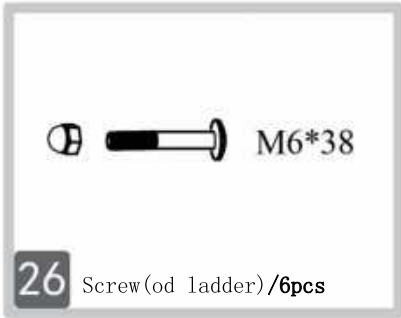
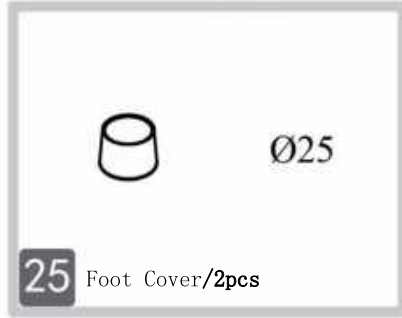
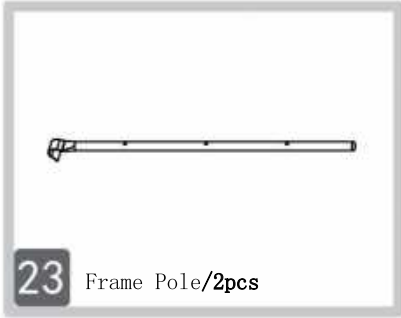
Use the rope (#21) to tighten the lower end of the safety net to the triangular ring of the jumping mat (#12) (one full piece), when wearing the rope, start from both sides of the door first (to ensure that the door is vertical and not twisted).

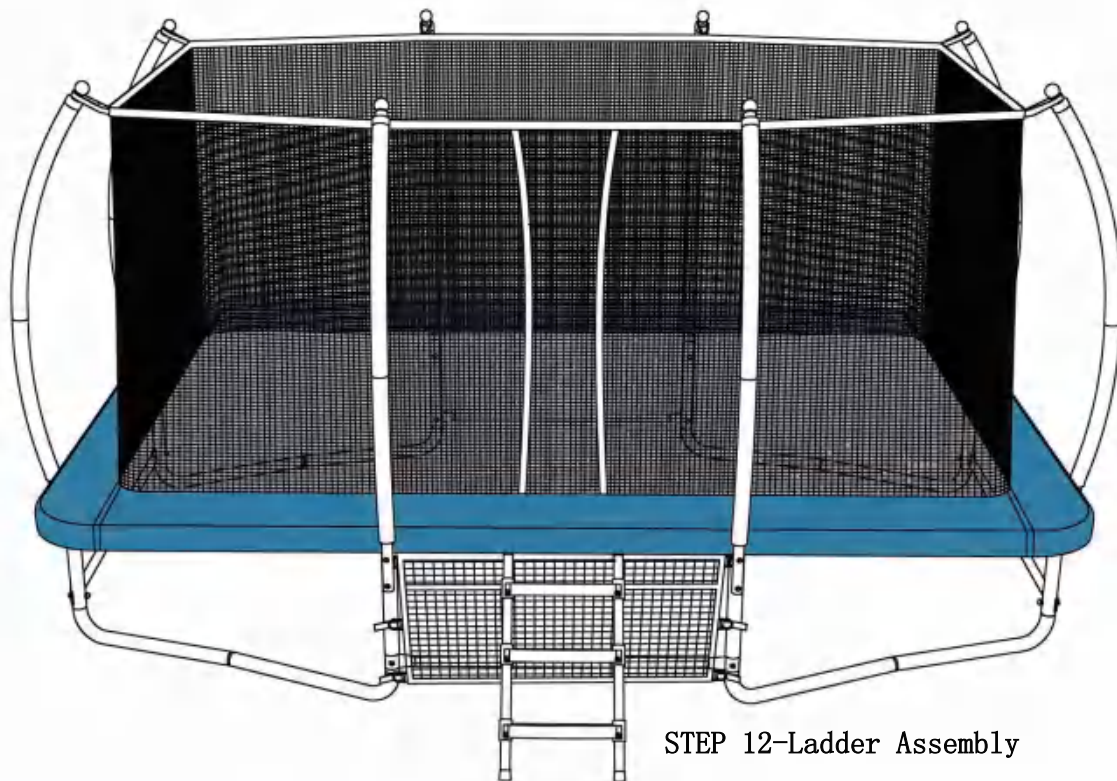


### STEP 11-Carriage Bag Assembly

The Carriage Bag(#22) is assembled to the frame under the safety net door;  
all velcros are fastened to the frame

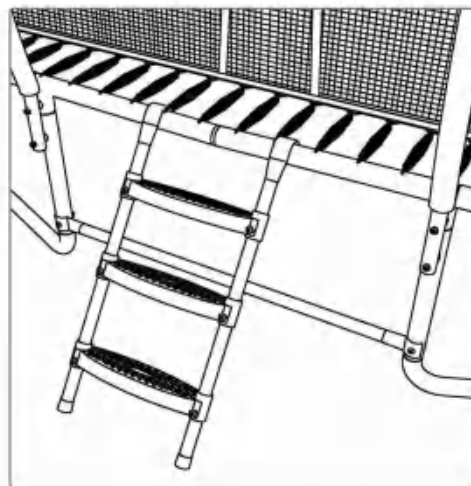
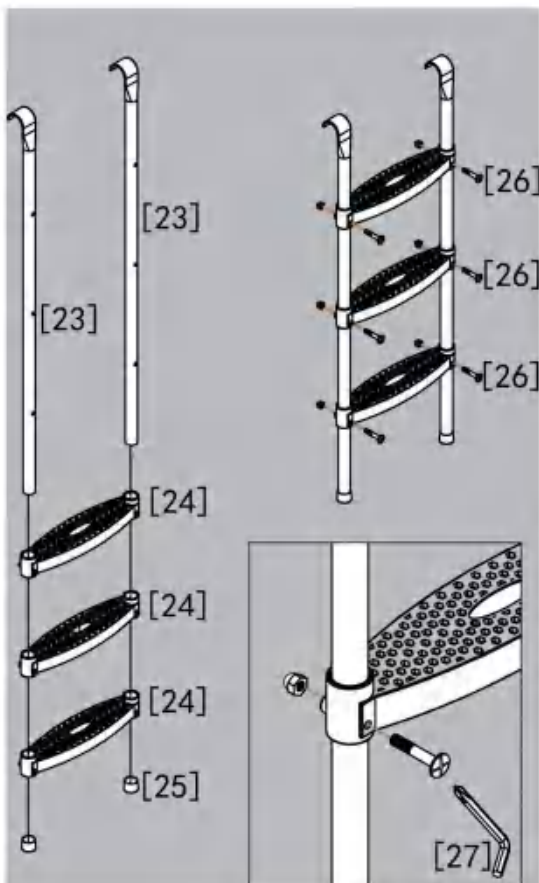


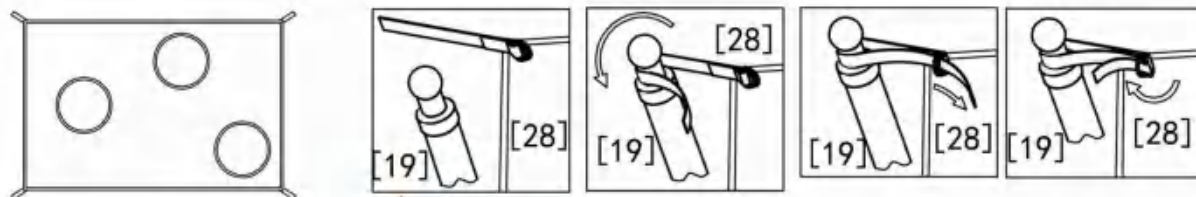




**STEP 12-Ladder Assembly**

Slide the Frame Pole (#23) into the Step Pole(#24). Align the locking holes on Frame Pole (#23) and Step Pole(#24), and secure them with Ladder Screw (#26), fix with the tool(#27). Hook the step ladder to the frame under the Spring Cover Pad (#15).

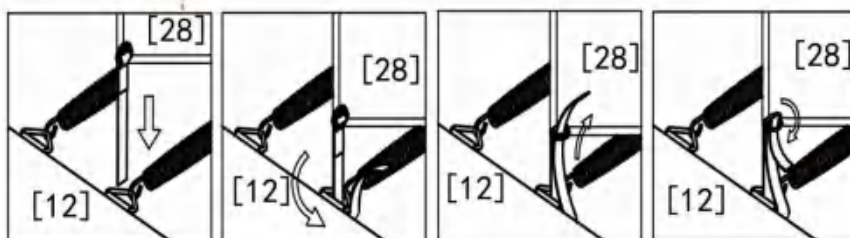
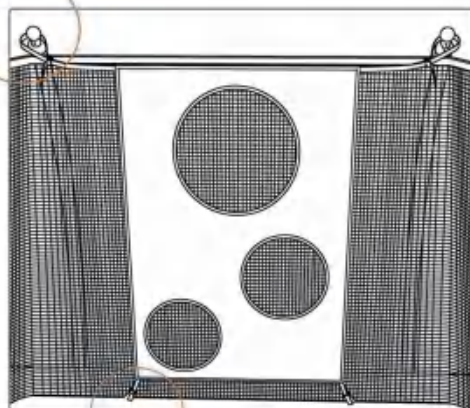




28

### STEP 13-Target Cloth Assembly

The strap on the upper end of the Target Cloth(#28) is fastened to the cap on the upper end of the upper Safety Pole(#19); The strap on the lower end of the Target Cloth(#28) is fastened to the triangular ring of Jumping Mat(#12);



## **CARE AND MAINTENANCE**

This trampoline was designed and manufactured with quality materials and craftsmanship. If proper care and maintenance is provided. It will provide all jumpers with years of exercise, fun, and enjoyment as well as reduce the risk of injury. Please follow the guidelines listed below:

This trampoline is designed to with hold a certain amount of weight and use . Please make sure that only one person at any one time uses the trampoline. Also, the person should weight less than **440lbs (200kgs)** jumpers should either wear socks, gymnastics shoes, or be barefoot .

When using the trampoline. Please be aware that street shoes or tennis shoes should NOT be worn while using the trampoline in order to prevent the trampoline mat from getting cut or damaged please do not allow any pets onto the mat. Also, jumpers should remove all sharp objects from their person prior to using the trampoline. Any type of sharp or pointed objects should be kept off the trampoline mat at all times.

Always inspect the trampoline before each use for worn, abused or missing parts.A number of conditions could arise that may increase your chances of getting injured. Please be aware of:

Punctures, holes, or tears in the trampoline mat

Sagging trampoline mat

Loose stitching or any kind of deterioration of the mat

Bent or broken frame parts, such as the legs

Broken, missing, or damaged springs

Damaged, missing, or Insecurely attached frame pad

Protrusions of any types (especially sharp types) on the frame, springs, or mat

## **CARE AND MAINTENANCE**

### **WINDY CONDITIONS**

In severe wind Situations, the trampoline can be blown about. If you expect windy weather conditions, the trampoline should be moved to a sheltered area or disassembled. Another option is to tie the round, outside portion (top frame) of the trampoline to the ground using ropes and stakes.

To ensure security, at least three (3) tie downs should be used. Do not just secure the legs of the trampoline to the ground because they can pull out the frame sockets.

### **MOVING THE TRAMPOLINE**

If you need to move the trampoline, two people should be used. All connector points should be wrapped secured with weather resistant tape, such as duct tape. This will keep the frame intact during the move and prevent the connector points from dislocating and separating. When moving, lift the trampoline slightly off the ground and keep it horizontal to the ground. For any type of other move, you should disassemble the trampoline.

IF YOU FIND ANY OF THE PREVIOUS CONDITIONS, OR ANYTHING ELSE THAT YOU FEEL COULD CAUSE HARM TO ANY USER, THE TRAMPOLINE SHOULD BE DISASSEMBLED OR SECURED FROM USE UNTIL THE CONDITIONS HAS BEEN RESOLVED.

**THE PRODUCT SPECIFICATIONS AND INFORMATION MENTIONED IN THESE OPERATING INSTRUCTIONS ARE FOR REFERENCE ONLY, AND ARE SUBJECT TO CHANGE WITHOUT NOTICE.**

# LIMITED WARRANTY

Ours trampoline products to be free from defects in material and workmanship under normal use and service conditions. The steel frame is warranted for one (1) year after the date of purchase. All other parts are warranted for six (6) months after the date of purchase. Wind or weather damage is not warranted.

All warranty coverage extends only to the original retail purchaser from the date of purchase. . This Warranty does not extend to any product or damage to a product caused by or attributable to freight damage, abuse, misuse, improper or abnormal usage, or to products used for commercial or rental purpose.

In addition, in order to meet the possible demand, our accessories can also be obtained for a fee. The fee will include the value of accessories and the delivery fee.  
You can contact us through the following email address : [service@cnmersco.com](mailto:service@cnmersco.com)

OUR COMPANY IS NOT RESPONSIBLE OR LIABLE FOR INDIRECT, SPECIAL OR CONSEQUENTIAL DAMAGES ARISING OUT OF OR IN CONNECTION WITH THE USE OR PERFORMANCE OF THE PRODUCT OR OTHER DAMAGES WITH RESPECT TO ANY ECONOMIC LOSS, LOSS OF PROPERTY, LOSS OF REVENUE OR PROFITS, LOSS OF ENJOYMENT OR USE, COST OF REMOVAL, INSTALLATION OR OTHER CONSEQUENTIAL DAMAGES. SOME STATES DO NOT ALLOW THE EXCLUSION OR LIMITATION OF INCIDENTAL OR CONSEQUENTIAL DAMAGES. ACCORDINGLY, THE ABOVE LIMITATION MAY NOT APPLY TO YOU.

THE WARRANTY EXTENDED HEREUNDER IS IN LIEU OF ALL

OTHER WARRANTIES AND ANY IMPLIED WARRANTY OF MERCHANTABILITY OR FITNESS FOR A PARTICULAR PURPOSE IS LIMITED IN ITS SCOPE AND DURATION TO THE TERMS SET FORTH HEREIN. SOME STATES DO NOT ALLOW LIMITATIONS ON HOW LONG AN IMPLIED WARRANTY LASTS. ACCORDINGLY, THE ABOVE LIMITATION MAY NOT APPLY TO YOU. This Warranty gives you specific LEGAL RIGHTS. You may also have other rights which vary state to state.

THIS WARRANTY IS VALID ONLY IN THE UNITED STATES.