

ASSEMBLY & INSTRUCTION

• **Twin (ZBB01/02)**

[CLICK HERE](#)

Size: 75"L×39"W/ 80"L×39"W

• **Full (ZBB03)**

[CLICK HERE](#)

Size: 75"L×54"W

• **Queen (ZBB04)**

[CLICK HERE](#)

Size: 80"L×60"W

• **King (ZBB05)**

[CLICK HERE](#)

Size: 80"L×76"W



Back to To

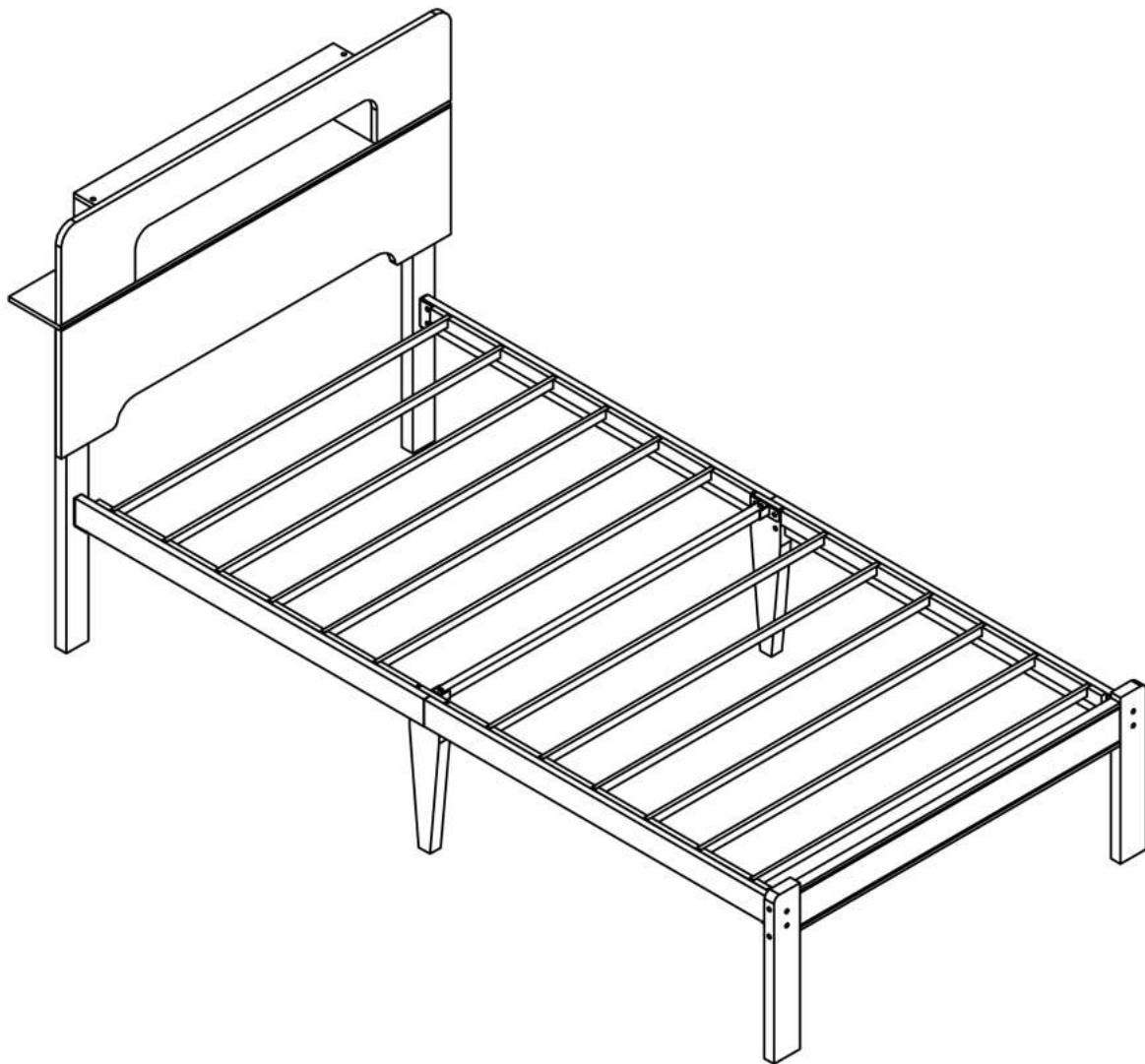
ASSEMBLY & INSTRUCTION

SIZE: Twin/Twin XL

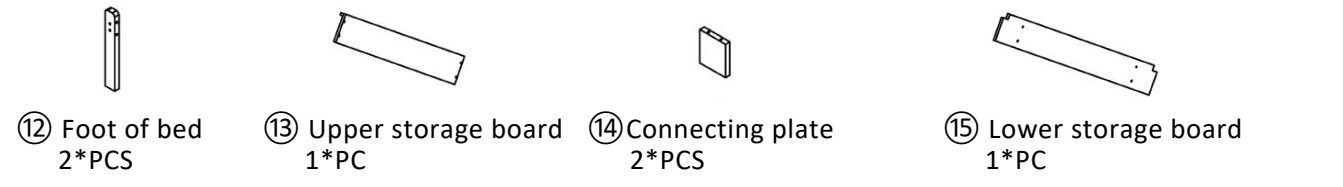
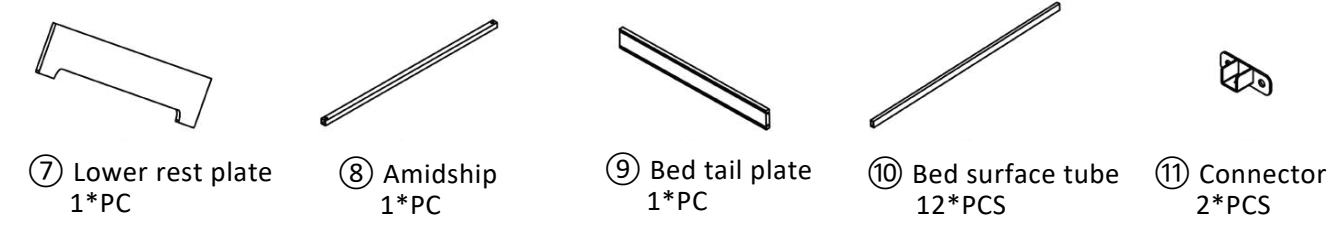
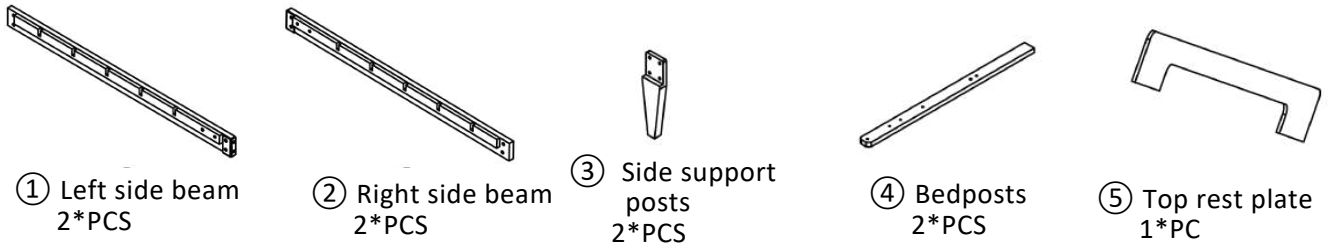
Notice: This instruction manual applies to Twin and Twin XL size.

DO NOT RETURN DIRECTLY!

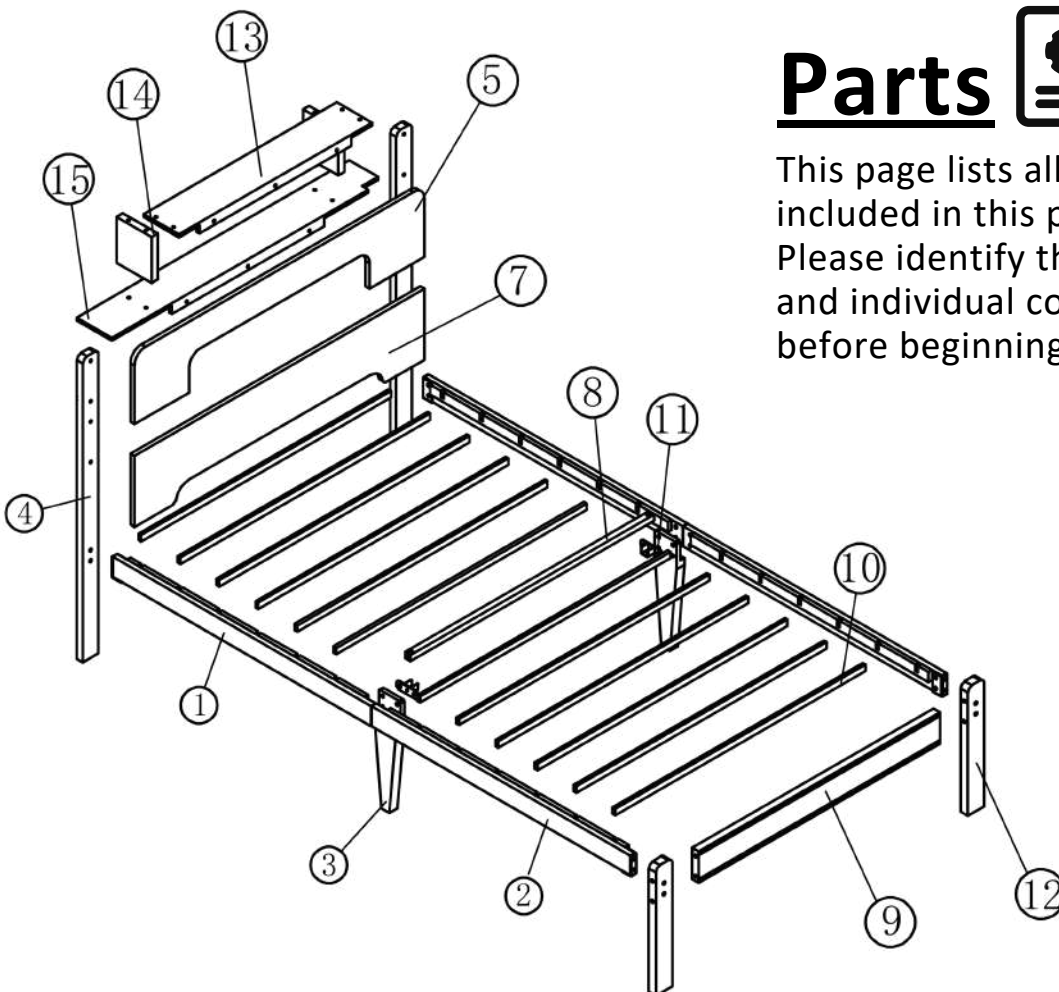
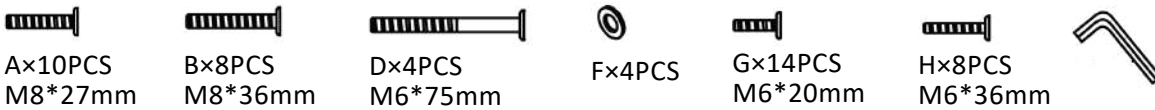
If any parts are missing or damaged, we will gladly ship replacements free of charge.



Weight Limit: 500 Lb / 272 Kg

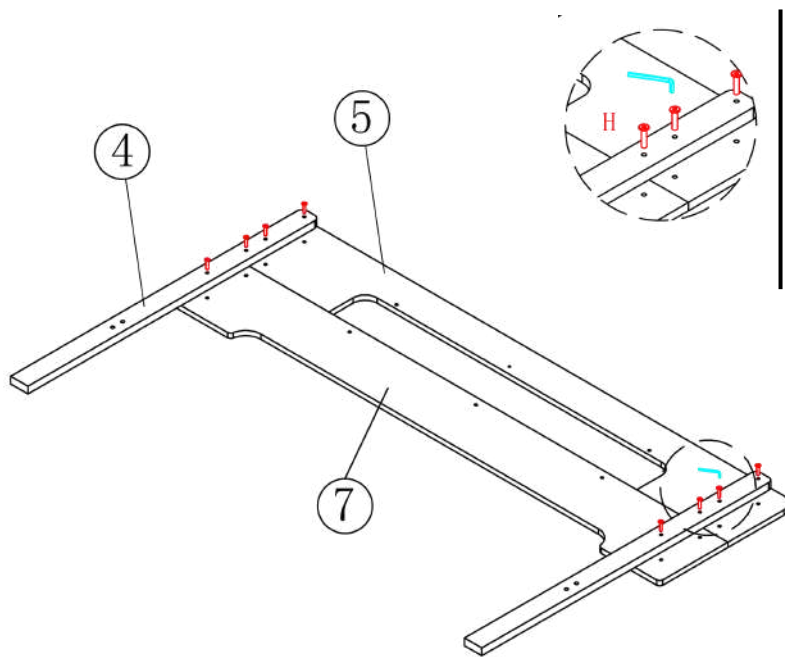


Hardware Kit



Parts


This page lists all the items included in this package. Please identify the hardware and individual components before beginning assembly.

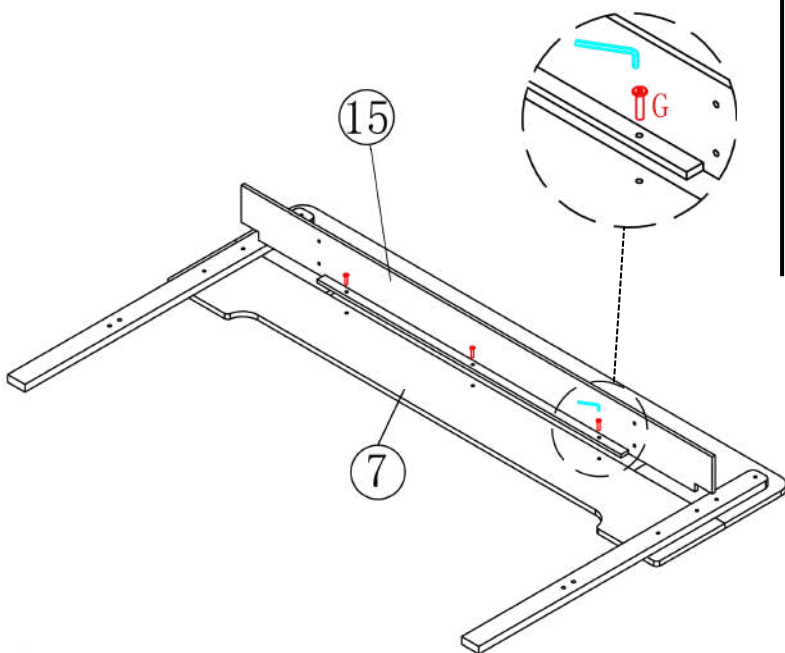


Step 1

Connect the Headboard Beam

- Attach headboard beam ⑤ and lower rest plate ⑦ to the bedposts ④ using eight bolts (H).



 H×8PCS
 M6*36mm



Step 2

Attach the Headboard Slats

- Attach lower storage board ⑮ to the lower rest plate ⑦ using three bolts (G).
- Slide each slat into the pre-drilled holes on the headboard beam.

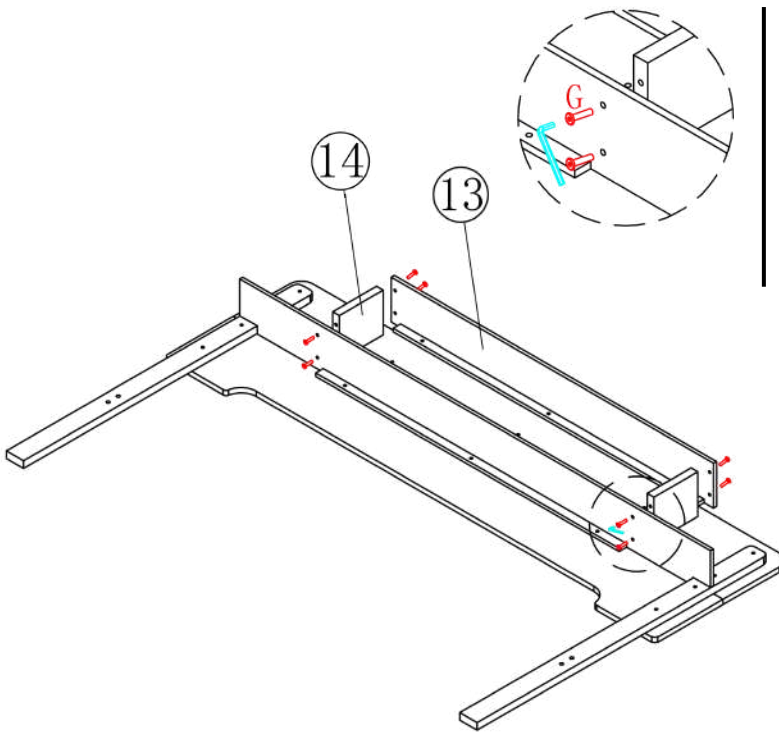

 G×3PCS
 M6*20mm

14

Step 3

Attach the Upper Storage Plate

- Take the remaining headboard beams ⑬ and connecting plate ⑭, line them up with eight bolts(G).

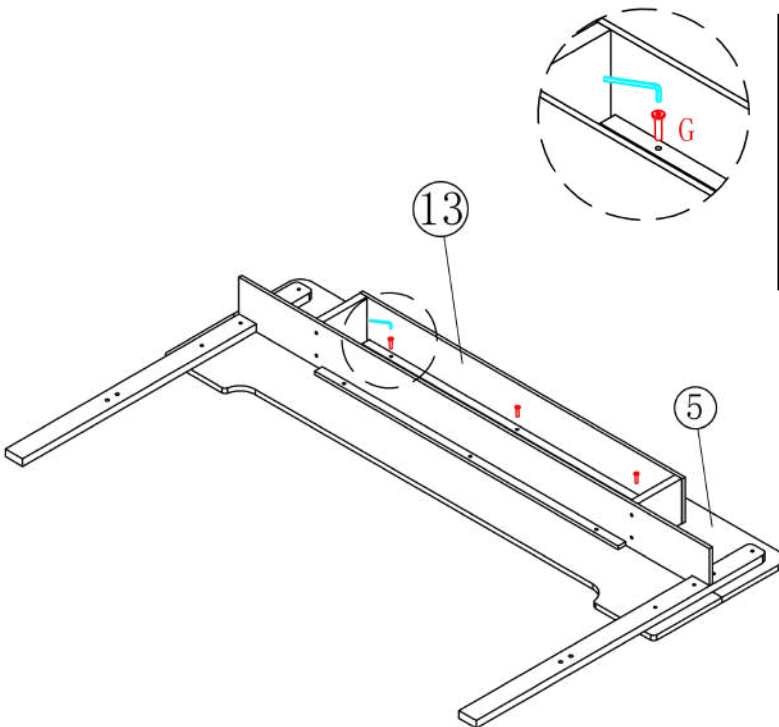


G×8PCS
M6*20mm

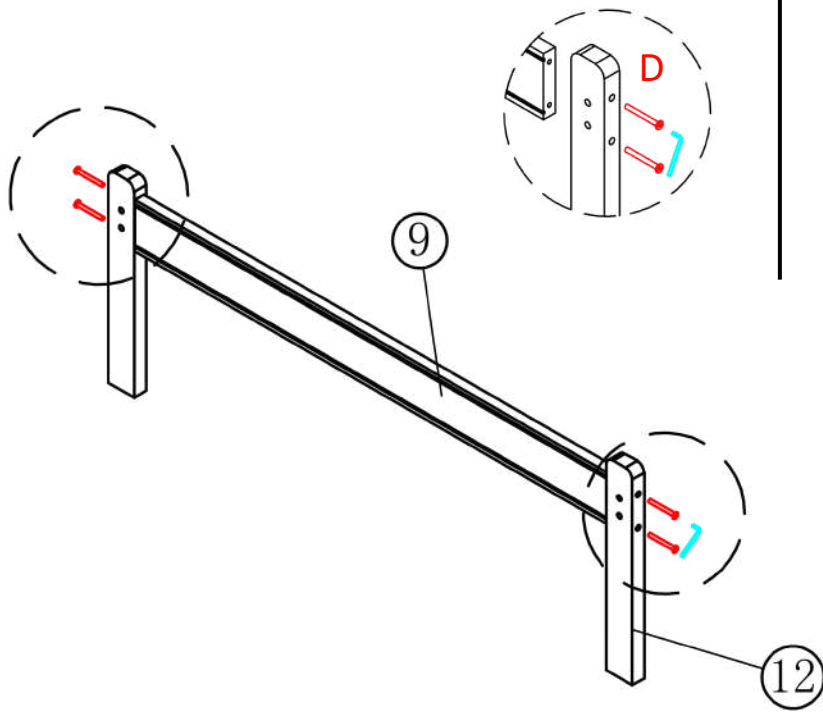
Step 4

Attach the Upper Storage Plate

- Attach upper storage board ⑬ to the upper rest plate ⑤ using three bolts (G).



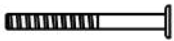
G×3PCS
M6*20mm



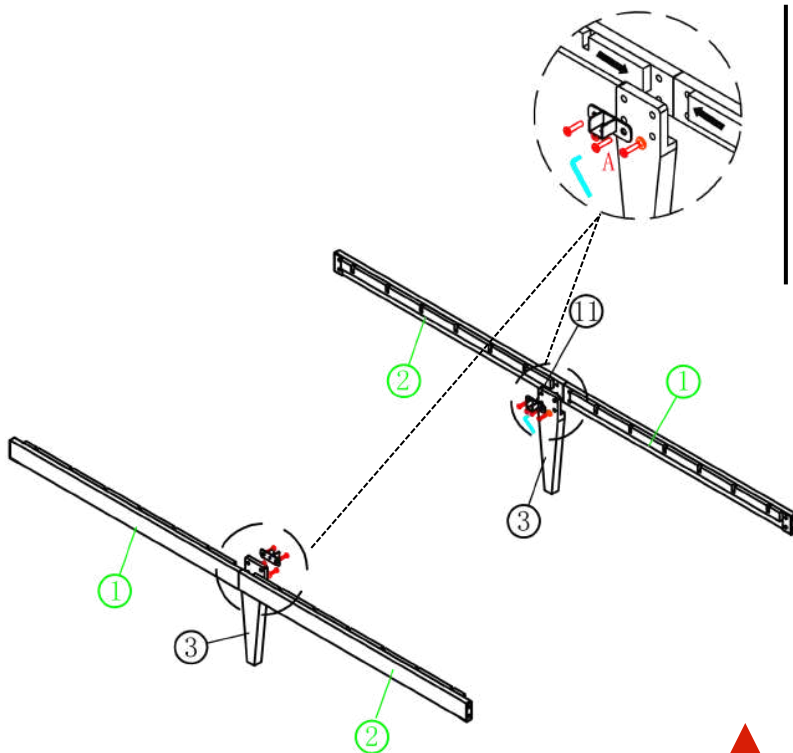
Step 5

Footboard Assembly

- Position the footboard rail (9) between the two footboard posts (12).
- Insert the four bolts (D) through the pre-drilled holes.
- Hand-tighten all bolts first to ensure proper alignment.
- Once aligned, fully tighten all bolts with appropriate tools.



D×4PCS
M6*75mm



Step 6

Assembly of Side Rails

- Connect the left beam (1), right beam (2), and middle support leg (3) using connectors (11) and eight bolts (A).
- (F) Installed in the two lower holes of (3).



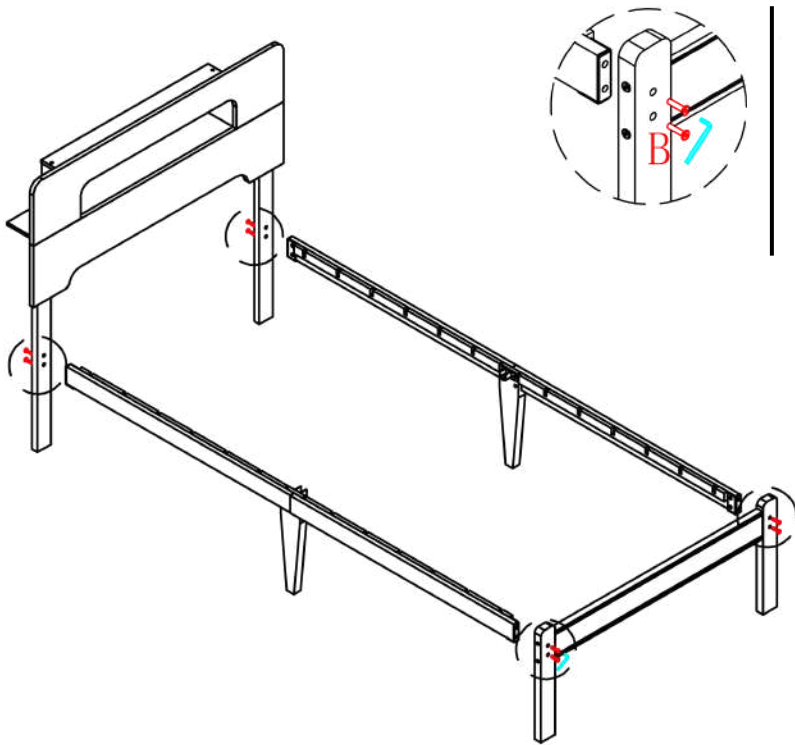
A×8PCS
M8*27mm



F×4PCS



Note: The grooves at both ends of the left and right beams are at different distances, with the longer end connecting to the middle leg.



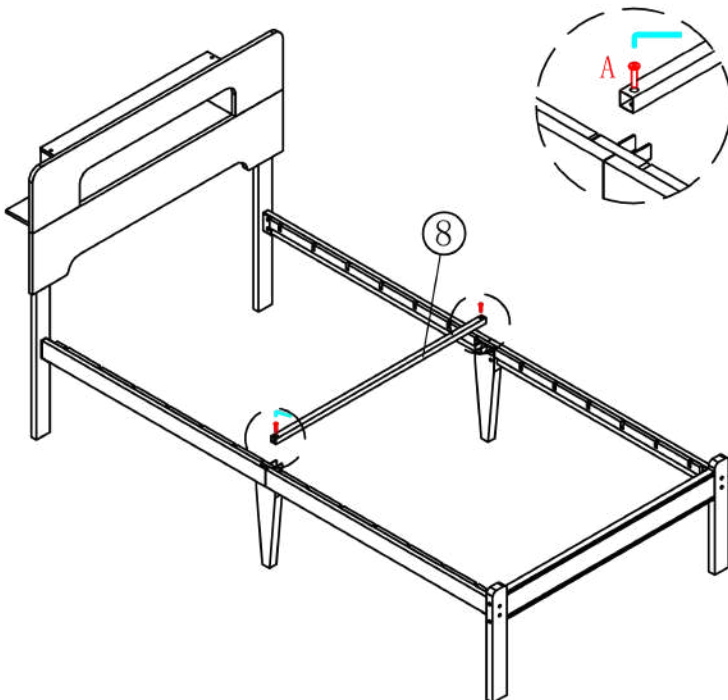
Step 7

Assembling the Bed Frame

- Align the mounting brackets on the side rails with the corresponding holes on both the headboard and footboard.
- Once all bolts are in place, use the provided Allen wrench to fully tighten eight bolts (B).



B×8PCS
M8*36mm



Step 8

Tubes Installing the Middle Support

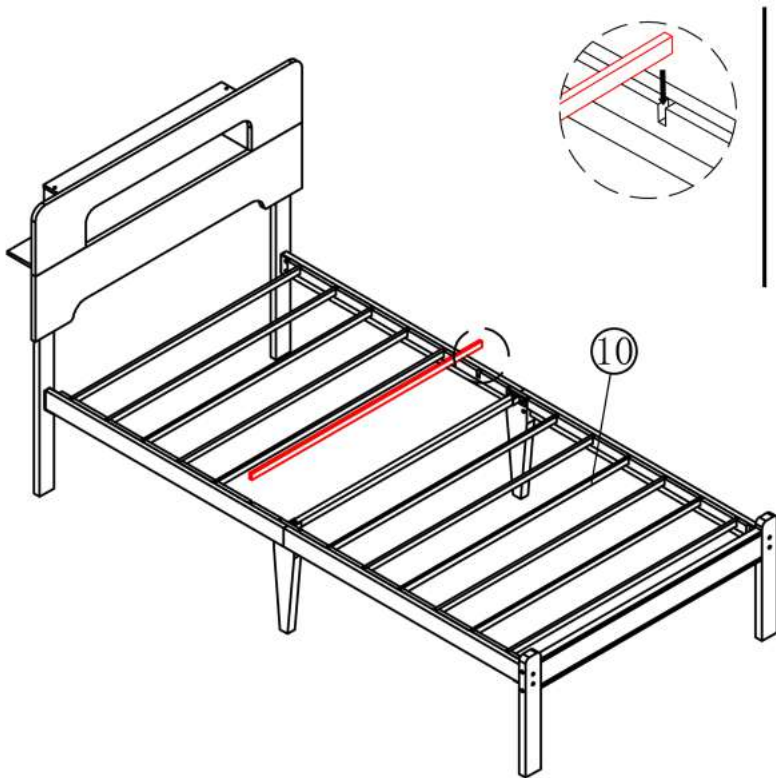
- Position the center cross support (8) onto the center pole.
- Secure all connections. Use two bolts (A) to fasten the middle transverse tubes.



A×2PCS
M8*27mm



Note: Ensure all connections are properly aligned before final tightening. This step is crucial for the bed's stability.



Step 9

Installing the Bed Slat

- Place all bed slats ⑩ across the side rails.



Note: Before completing assembly, double-check that all screws and components are fully tightened.

[Back to Top](#)

ZBB SERIES

Back to To

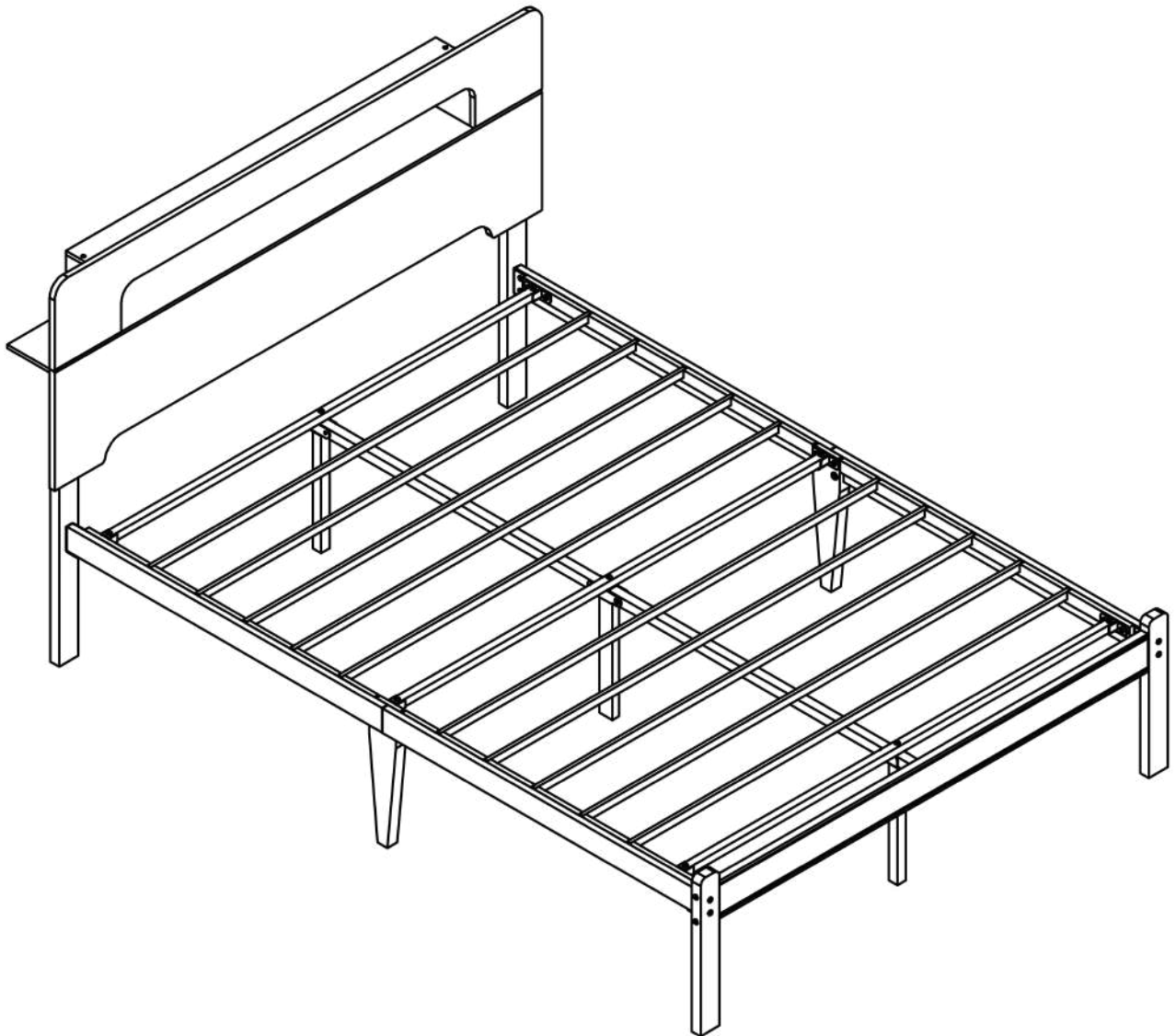
ASSEMBLY & INSTRUCTION

SIZE: Full

Notice: This instruction manual applies to Full size.

DO NOT RETURN DIRECTLY!

If any parts are missing or damaged, we will gladly ship replacements free of charge.



Weight Limit: 1000 Lb / 454 Kg



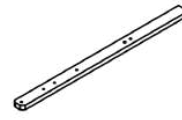
① Left Side beam
2*PCS



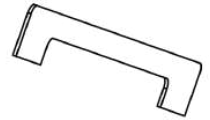
② Right Side beam
2*PCS



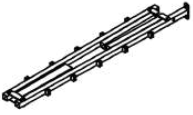
③ Side support posts
2*PCS



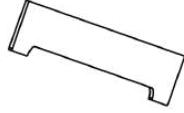
④ Bedposts
2*PCS



⑤ Top rest plate
1*PC



⑥ Center erection
1*PC



⑦ Lower rest plate
1*PC



⑧ Amidship
3*PCS



⑨ Bed tail plate
1*PC



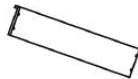
⑩ Bed surface tube
10*PCS



⑪ Connector
6*PCS



⑫ Foot of bed
2*PCS



⑬ Upper storage board
1*PC



⑭ Connecting plate
2*PCS



⑮ Lower storage board
1*PC

Hardware Kit



A×14PCS
M8*27mm



B×8PCS
M8*36mm



C×3PCS
M8*53mm



D×4PCS
M6*75mm



E×10PCS
M8*14mm



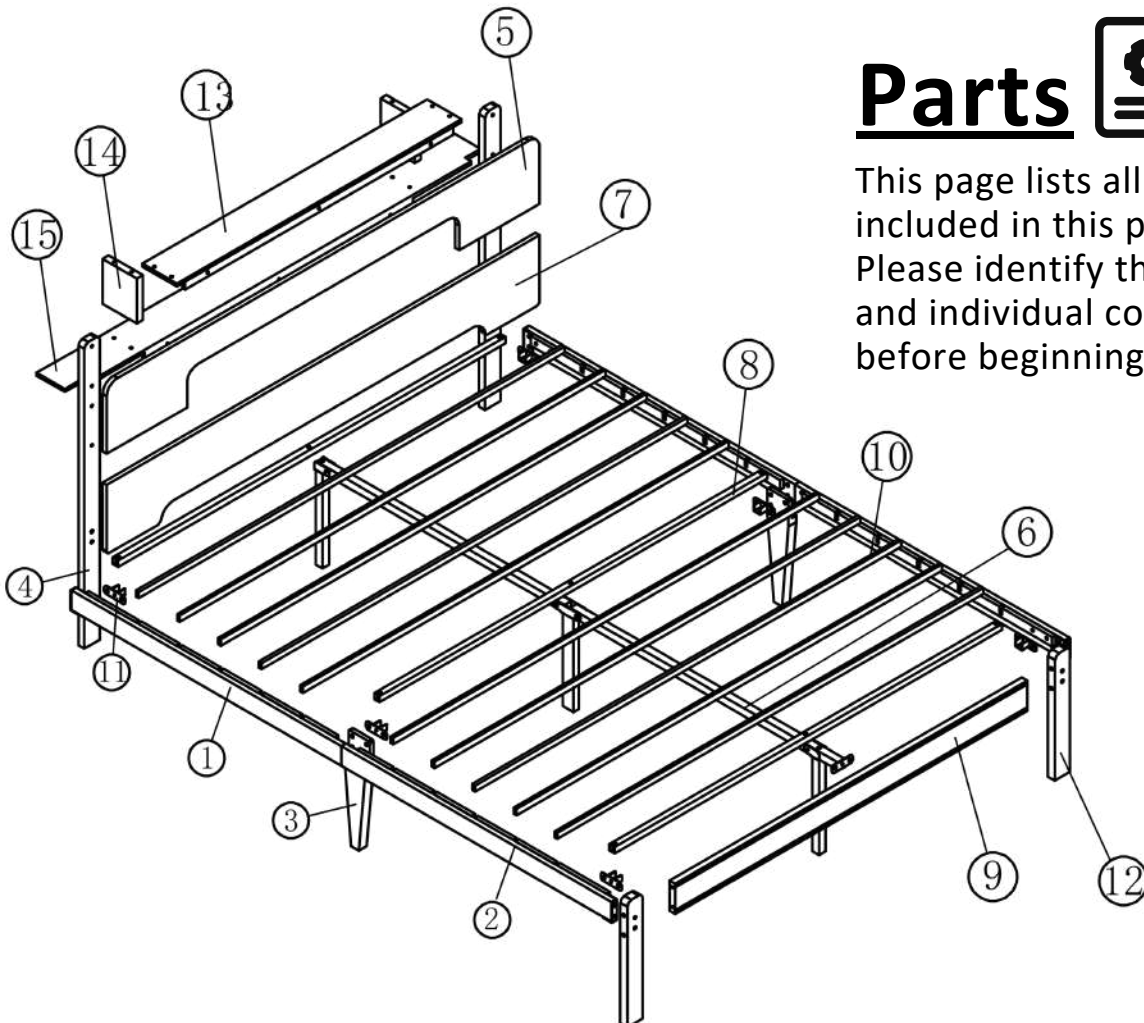
F×4PCS



G×14PCS
M6*20mm



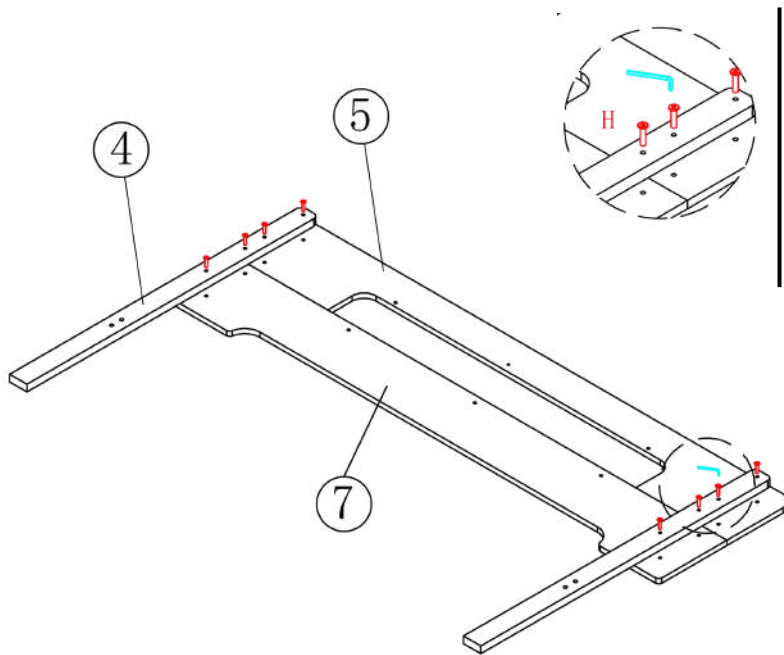
H×8PCS
M6*36mm



Parts




This page lists all the items included in this package. Please identify the hardware and individual components before beginning assembly.

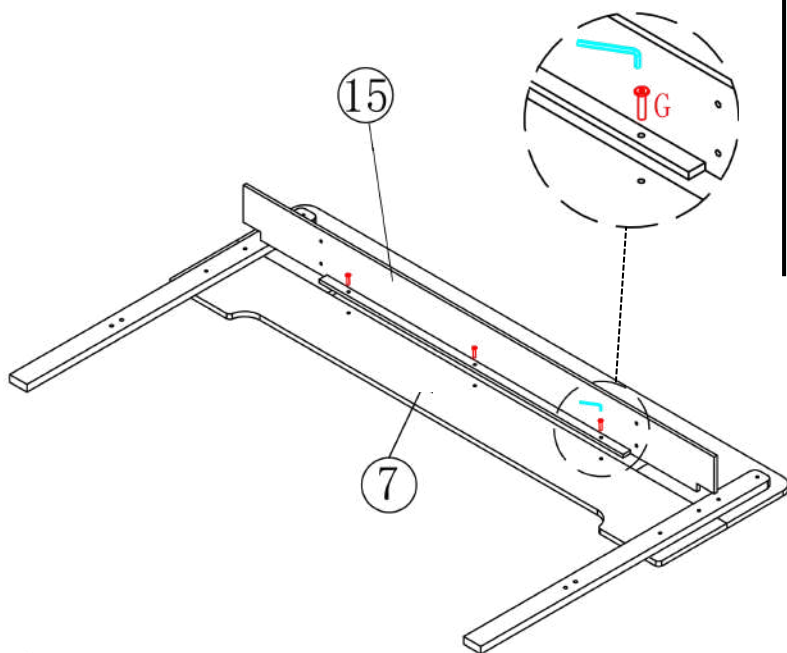


Step 1

Connect the Headboard Beam

- Attach headboard beam ⑤ and lower rest plate ⑦ to the bedposts ④ using eight bolts (H).



H×8PCS
M6*36mm

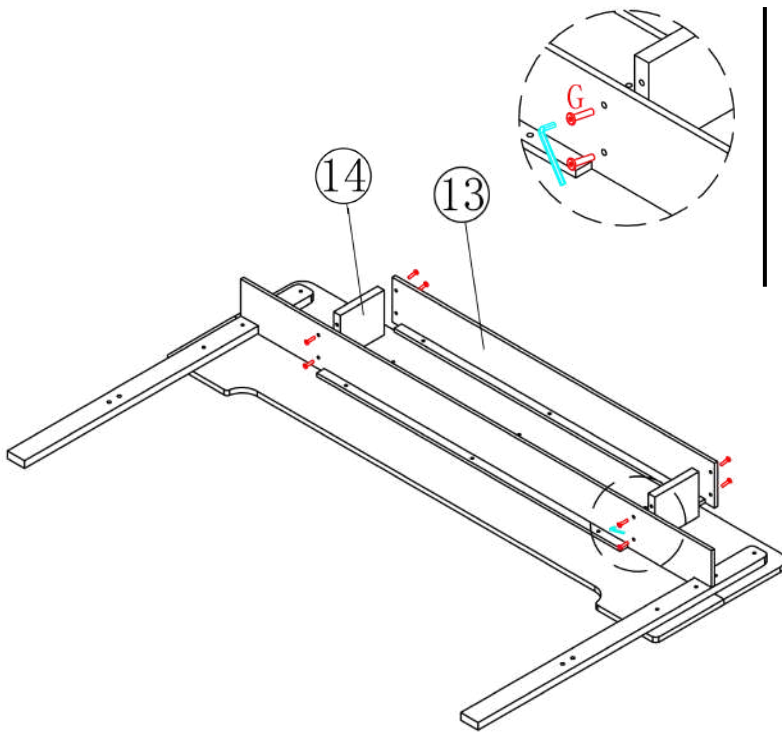


Step 2

Attach the Headboard Slats

- Attach lower storage board ⑮ to the lower rest plate ⑦ using three bolts (G).
- Slide each slat into the pre-drilled holes on the headboard beam.


G×3PCS
M6*20mm



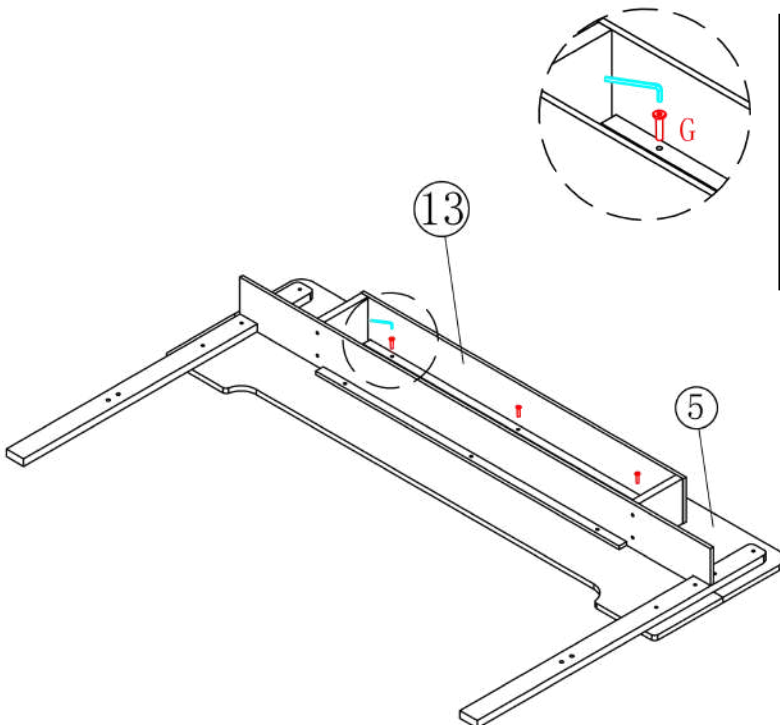
Step 3

Attach the Upper Storage Plate

- Take the remaining headboard beams (13) and connecting plate (14), line them up with eight bolts (G).



G×8PCS
M6*20mm



Step 4

Attach the Upper Storage Plate

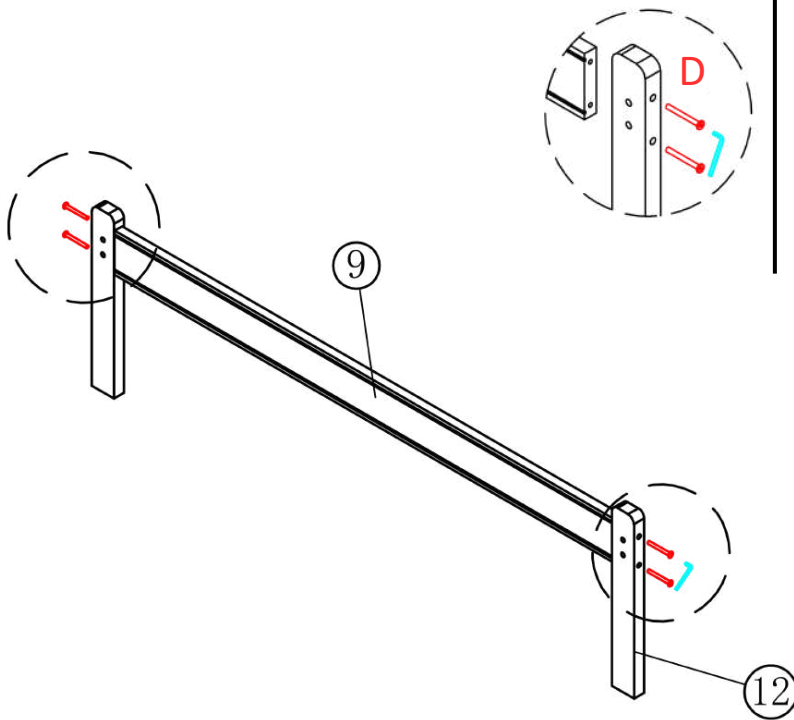
- Attach upper storage board (13) to the upper rest plate (5) using three bolts (G).



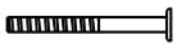
G×3PCS
M6*20mm

Step 5

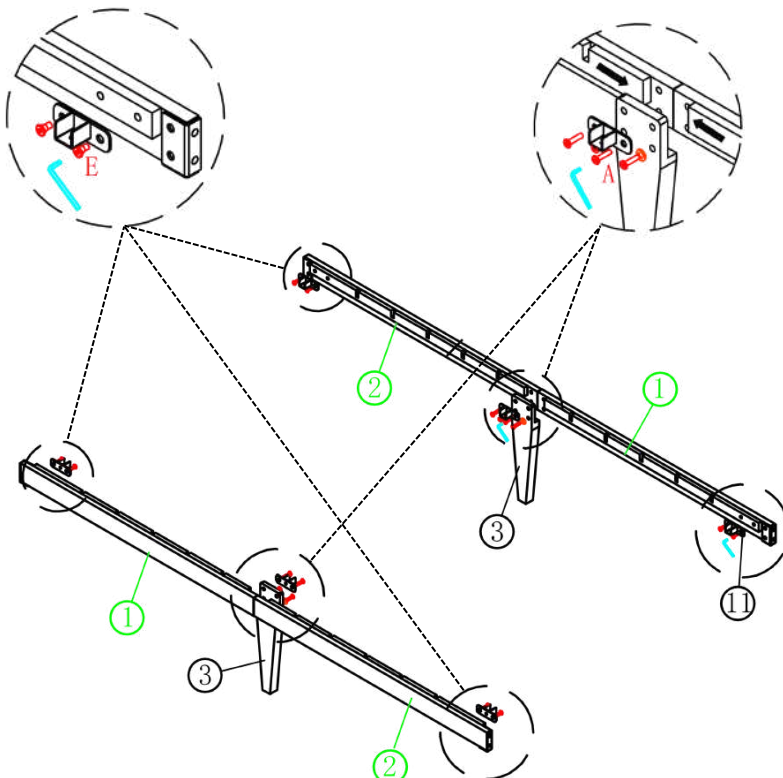
Footboard Assembly



- Position the footboard rail (9) between the two footboard posts (12).
- Insert the four bolts (D) through the pre-drilled holes.
- Hand-tighten all bolts first to ensure proper alignment.
- Once aligned, fully tighten all bolts with appropriate tools.



D×4PCS
M6*75mm



Step 6

Assembly of Side Rails

- Connect the left beam (1), right beam (2), and middle support leg (3) using connectors (11) and eight bolts (A).
- Secure the connector at each end of the side rail assembly to the bed frame using eight bolts (E).
- (F) Installed in the two lower holes of (3).



A×8PCS
M8*27mm



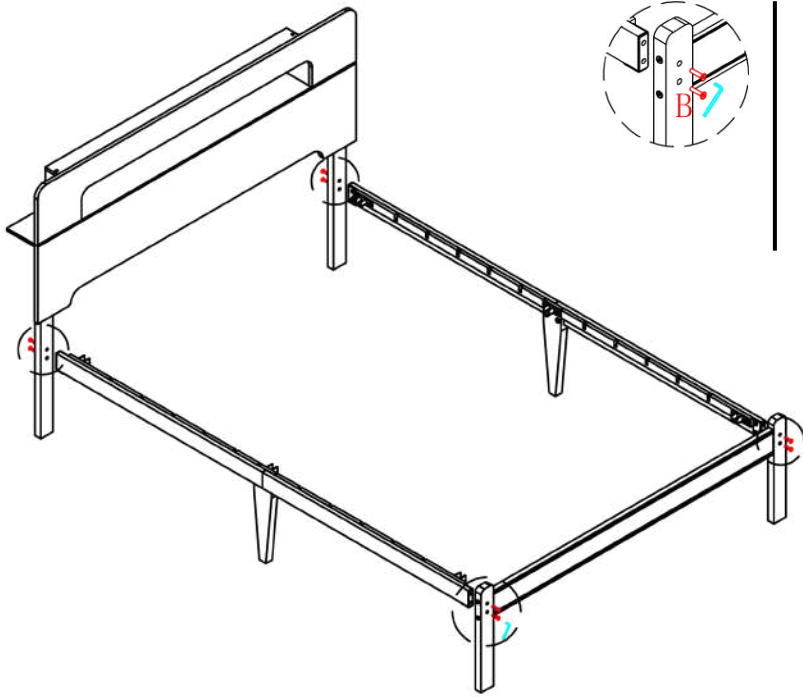
E×8PCS
M8*14mm



F×4PCS



Note: The grooves at both ends of the left and right beams are at different distances, with the longer end connecting to the middle leg.



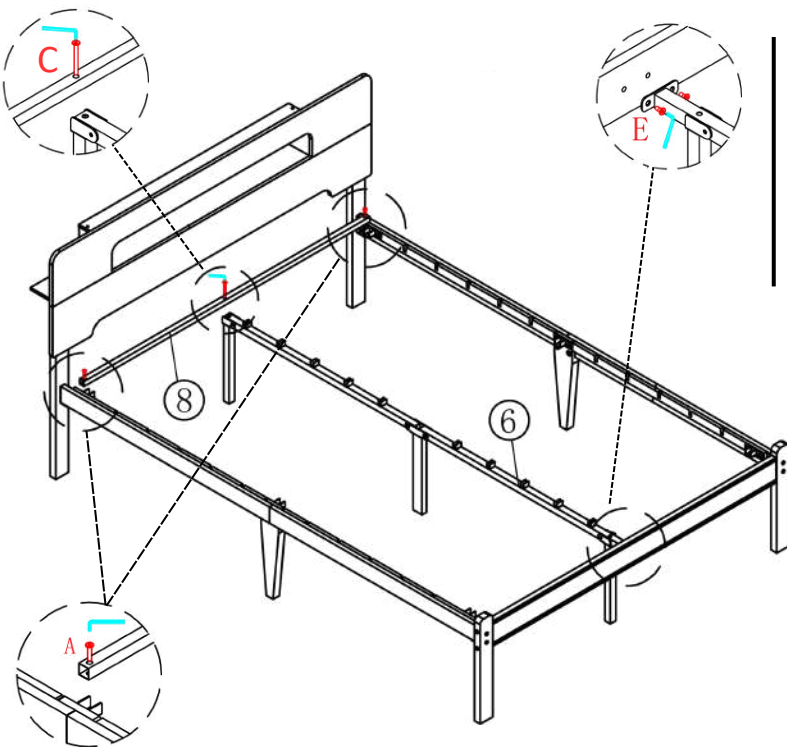
Step 7

Assembling the Bed Frame

- Align the mounting brackets on the side rails with the corresponding holes on both the headboard and footboard
- Once all bolts are in place, use the provided Allen wrench to fully tighten eight bolts (B).



B×8PCS
M8*36mm



Step 8

Tubes Installing the Middle Support

- Attach the center pole (6) to both ends of the bed frame using bolts (E).
- Position the center cross support (8) onto the center pole using one bolt (C).
- Secure all connections. Use two bolts (A) to fasten the middle transverse tubes.



A×2PCS
M8*27mm



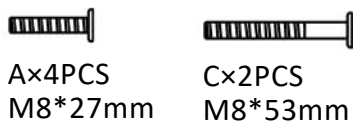
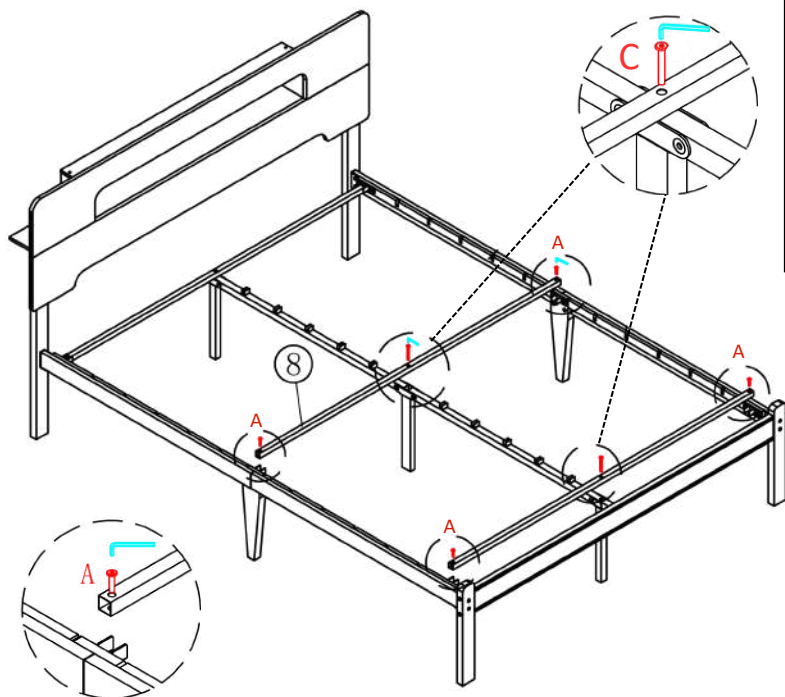
C×1PC
M8*53mm



E×2PCS
M8*14mm



Note: Ensure all connections are properly aligned before final tightening. This step is crucial for the bed's stability.



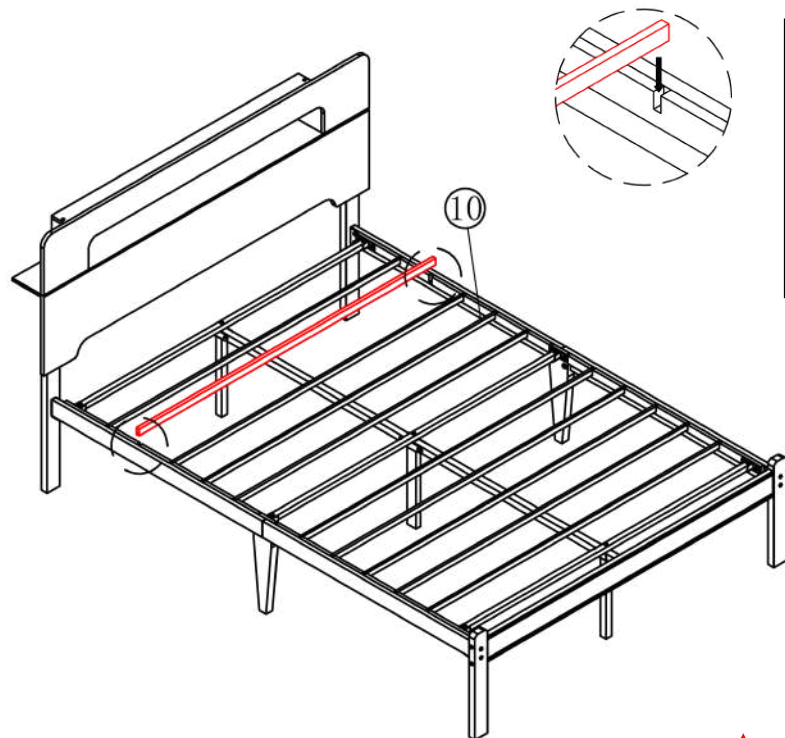
Step 9

Installing the Bed Slats

- Locate the two remaining middle transverse tubes ⑧.
- Attach these tubes to the center pole using two bolts (C).
- Secure all connections. Use four bolts (A) to fasten the middle transverse tubes.



Note: Ensure all connections are properly aligned before final tightening. This step is crucial for the bed's stability.



Step 10

Installing the Bed Slat

- Place all bed slats ⑩ across the side rails.



Note: Before completing assembly, double-check that all screws and components are fully tightened.

[Back to Top](#)

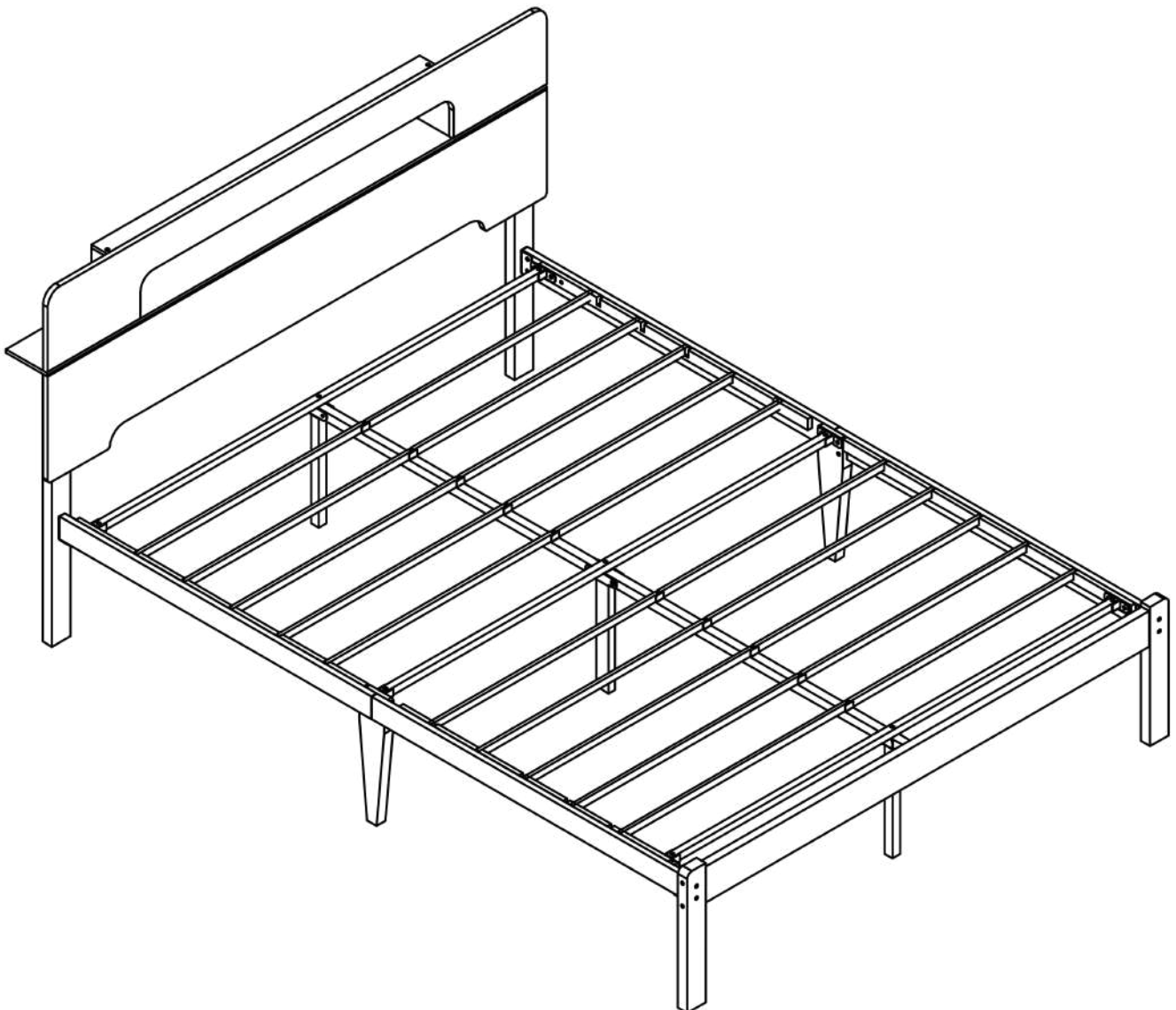
ASSEMBLY & INSTRUCTION

SIZE: Queen

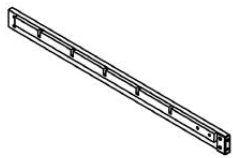
Notice: This instruction manual applies to Queen size.

DO NOT RETURN DIRECTLY!

If any parts are missing or damaged, we will gladly ship replacements free of charge.



Weight Limit: 1000 Lb / 454 Kg



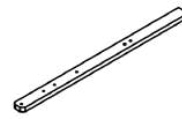
① Side beam
2*PCS



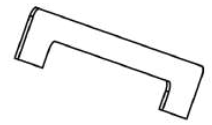
② Side beam
2*PCS



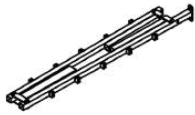
③ Side support
posts
2*PCS



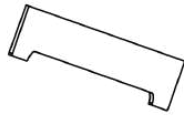
④ Bedposts
2*PCS



⑤ Top rest plate
1*PC



⑥ Center erection
1*PC



⑦ Lower rest plate
1*PC



⑧ Amidship
3*PCS



⑨ Bed tail plate
1*PC



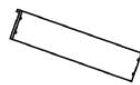
⑩ Bed surface tube
20*PCS



⑪ Connector
6*PCS



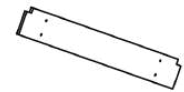
⑫ Foot of bed
2*PCS



⑬ Upper storage board
1*PC



⑭ Connecting plate
2*PCS



⑮ Lower storage board
1*PC

Hardware Kit



A×14PCS
M8*27mm



B×8PCS
M8*36mm



C×3PCS
M8*53mm



D×4PCS
M6*75mm



E×10PCS
M8*14mm



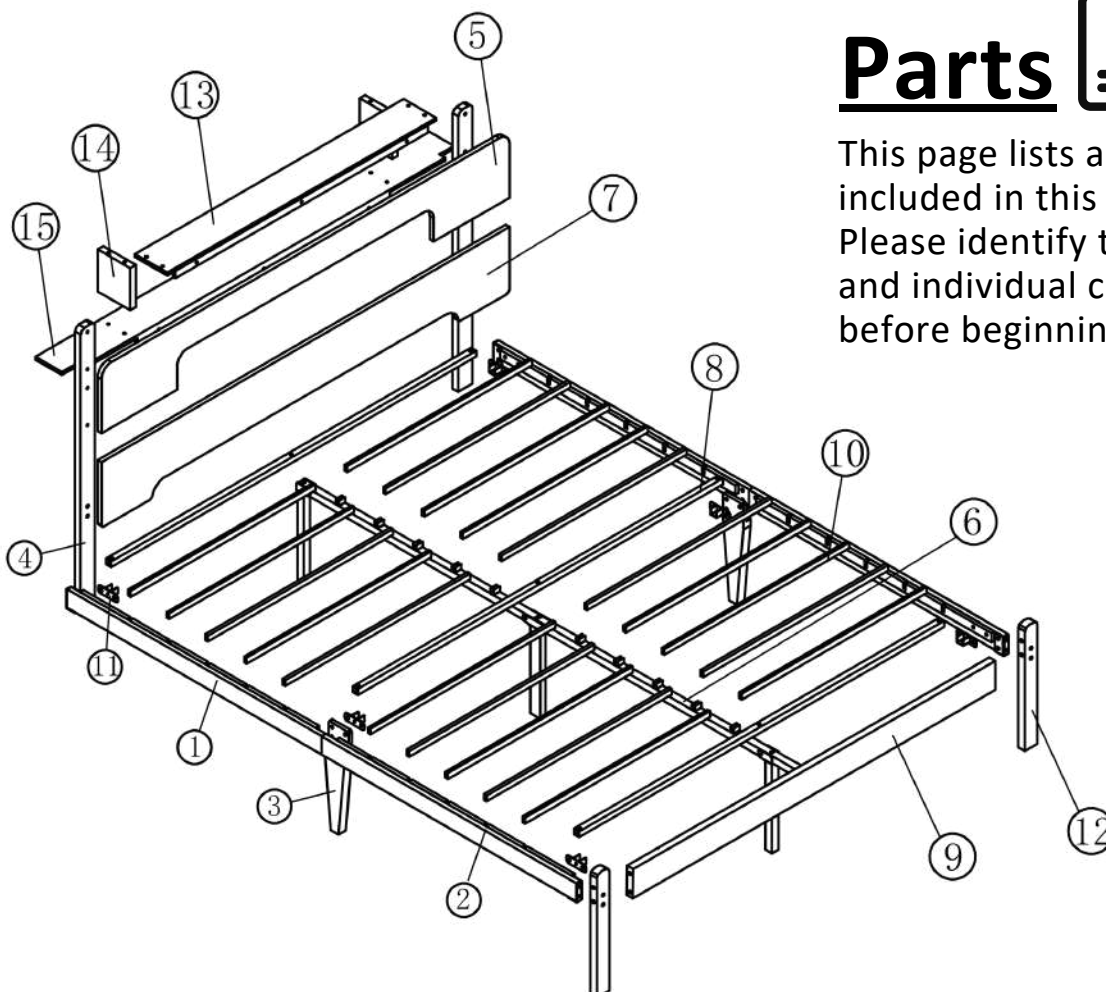
F×4PCS



G×14PCS
M6*20mm



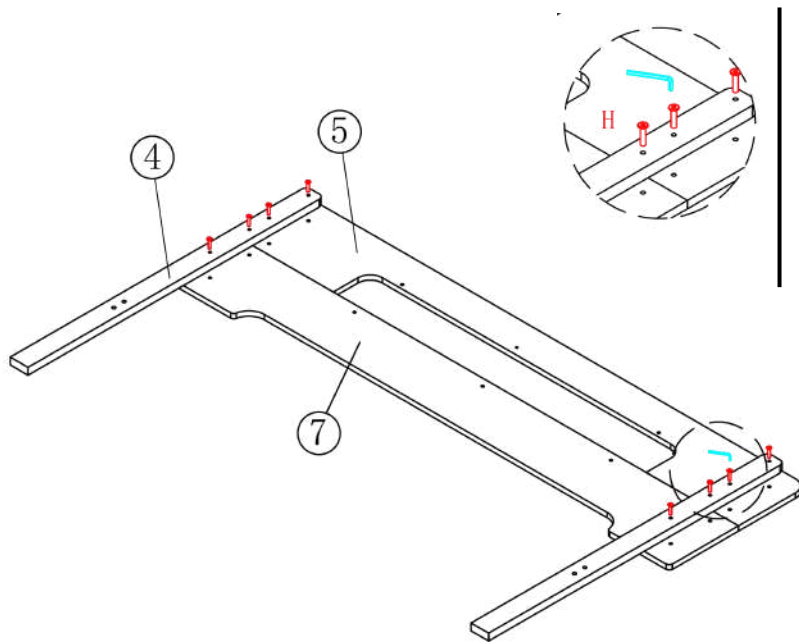
H×8PCS
M6*36mm



Parts




This page lists all the items included in this package. Please identify the hardware and individual components before beginning assembly.

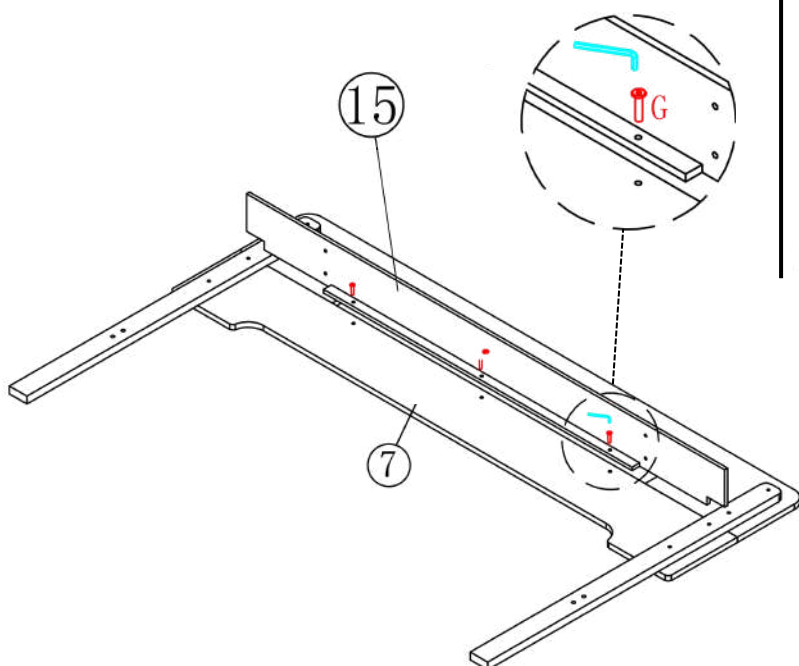


Step 1

Connect the Headboard Beam

- Attach headboard beam ⑤ and lower rest plate ⑦ to the bedposts ④ using eight bolts (H).



 H×8PCS
 M6*36mm

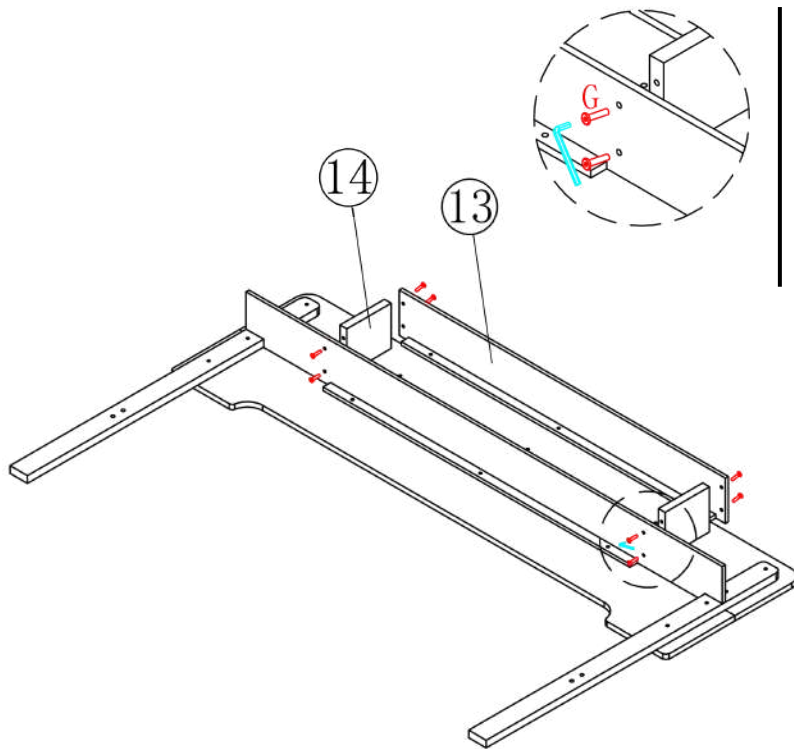


Step 2

Attach the Headboard Slats

- Attach lower storage board ⑭ to the lower rest plate ⑦ using three bolts (G).
- Slide each slat into the pre-drilled holes on the headboard beam.


 G×3PCS
 M6*20mm



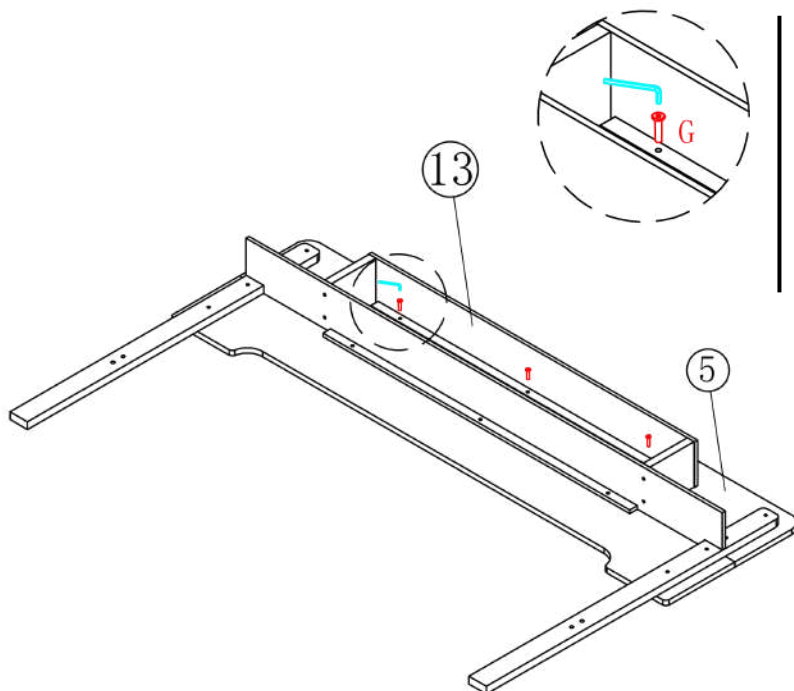
Step 3

Attach the Upper Storage Plate

- Take the remaining headboard beams (13) and connecting plate (14), line them up with eight bolts (G).



G×8PCS
M6*20mm



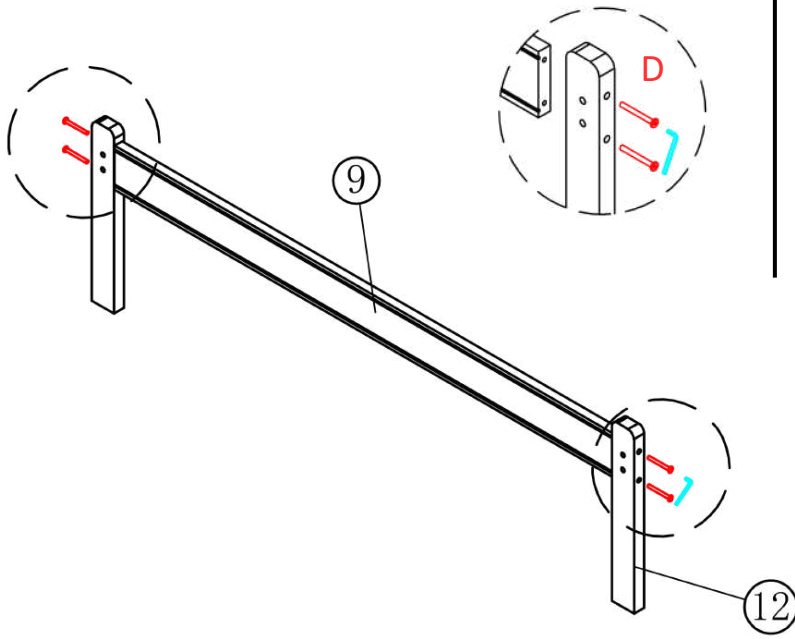
Step 4

Attach the Upper Storage Plate

- Attach upper storage board (13) to the upper rest plate (5) using three bolts (G).



G×3PCS
M6*20mm



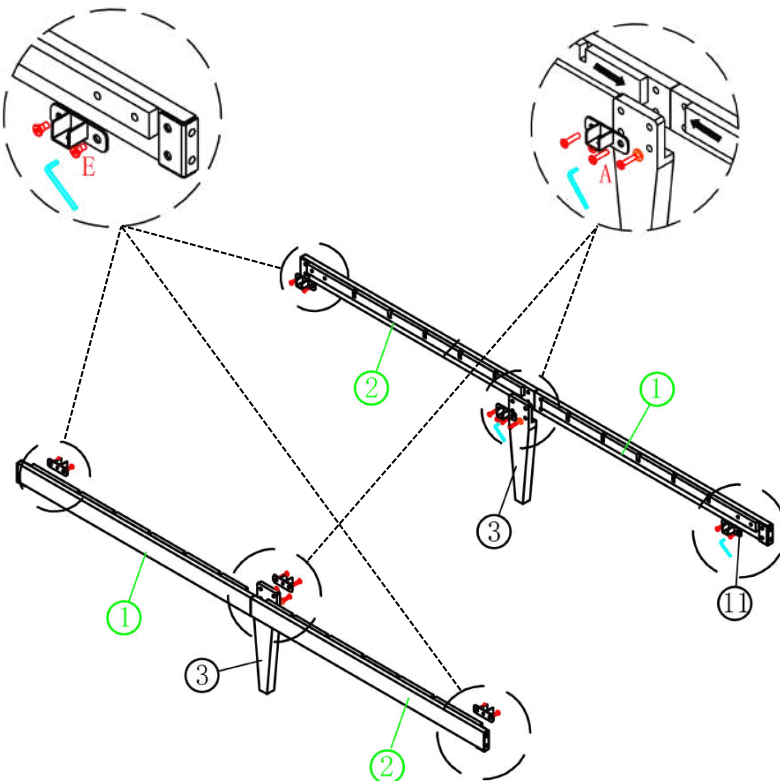
Step 5

Footboard Assembly

- Position the footboard rail (9) between the two footboard posts (12).
- Insert the four bolts (D) through the pre-drilled holes.
- Hand-tighten all bolts first to ensure proper alignment.
- Once aligned, fully tighten all bolts with appropriate tools.



D×4PCS
M6*75mm



Step 6

Assembly of Side Rails

- Connect the left beam (1), right beam (2), and middle support leg (3) using connectors (11) and eight bolts (A).
- Secure the connector at each end of the side rail assembly to the bed frame using eight bolts (E).
- (F) Installed in the two lower holes of (3).



A×8PCS
M8*27mm



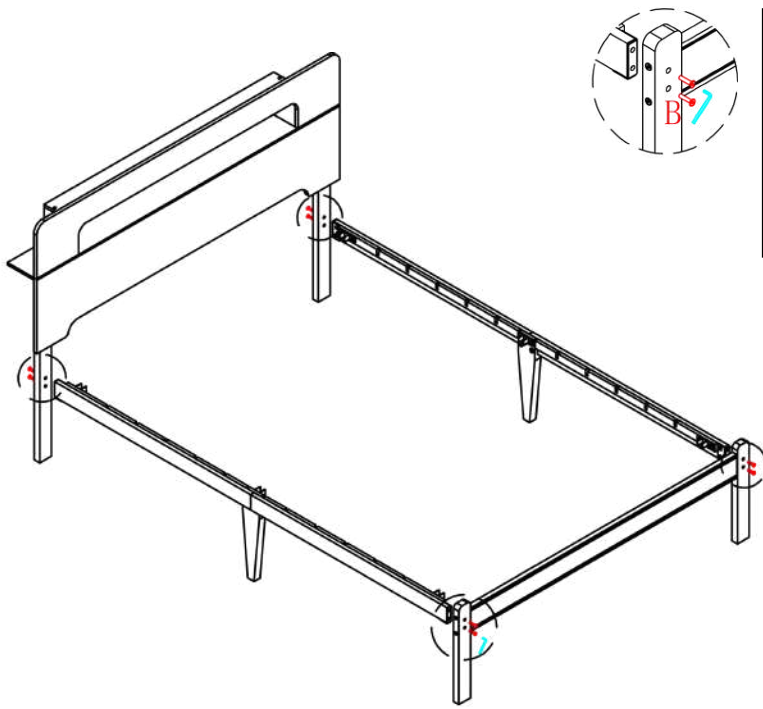
E×8PCS
M8*14mm



F×4PCS



Note: The grooves at both ends of the left and right beams are at different distances, with the longer end connecting to the middle leg.



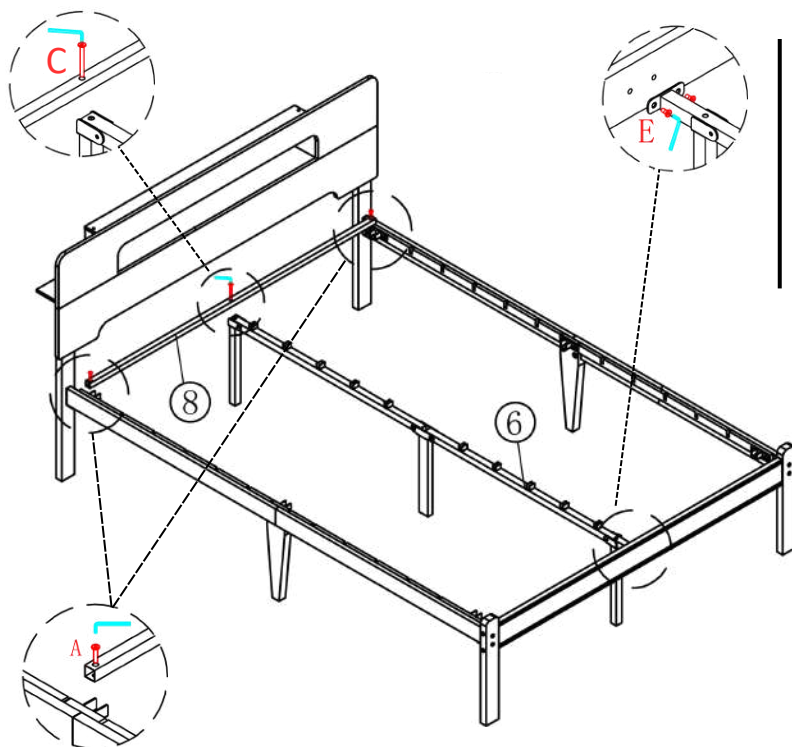
Step 7

Assembling the Bed Frame

- Align the mounting brackets on the side rails with the corresponding holes on both the headboard and footboard
- Once all bolts are in place, use the provided Allen wrench to fully tighten eight bolts (B).



B×8PCS
M8*36mm



Step 8

Tubes Installing the Middle Support

- Attach the center pole ⑥ to both ends of the bed frame using bolts (E) ·
- Position the center cross support ⑧ onto the center pole using one bolt (C).
- Secure all connections. Use two bolts (A) to fasten the middle transverse tubes



A×2PCS
M8*27mm



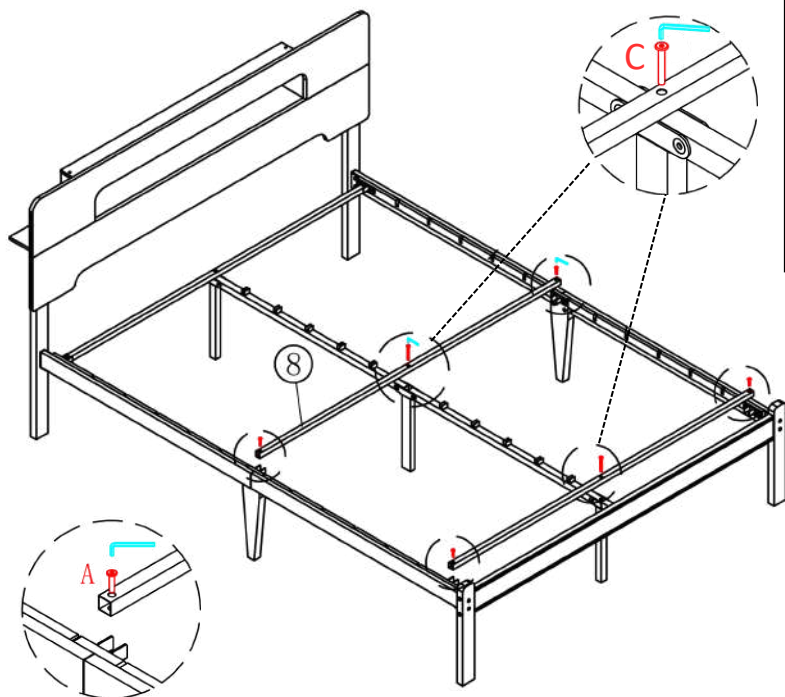
C×1PC
M8*53mm





E×2PCS
M8*14mm



Note: Ensure all connections are properly aligned before final tightening. This step is crucial for the bed's stability.





A×4PCS
M8*27mm

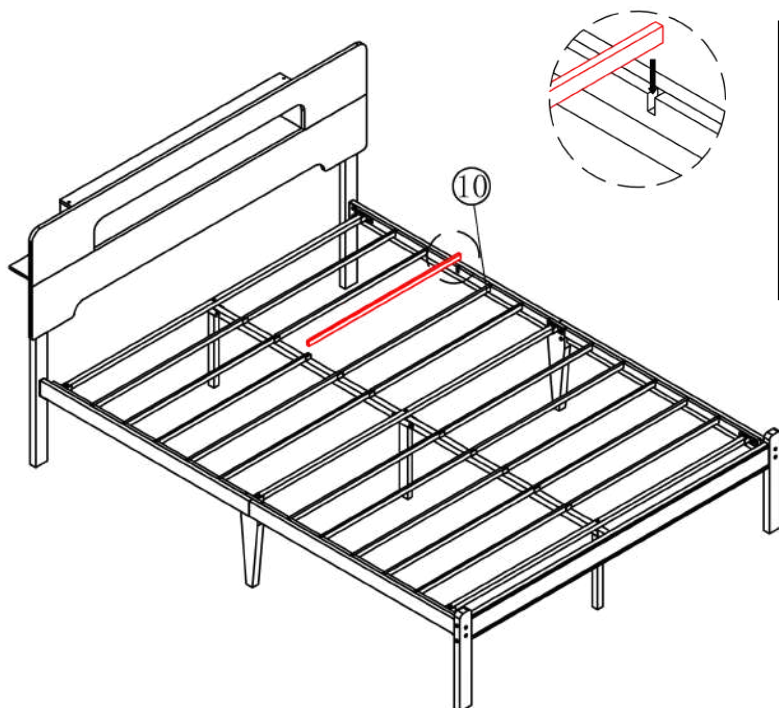

C×2PCS
M8*53mm

Step 9

Installing the Bed Slats

- Locate the two remaining middle transverse tubes .
- Attach these tubes to the center pole using two bolts (C).
- Secure all connections. Use four bolt (A) to fasten the middle transverse tubes.


 **Note:** Ensure all connections are properly aligned before final tightening. This step is crucial for the bed's stability.



Step 10

Installing the Bed Slat

- Place all bed slats ⑩ across the side rails.

 **Note:** Before completing assembly, double-check that all screws and components are fully tightened.

[Back to Top](#)

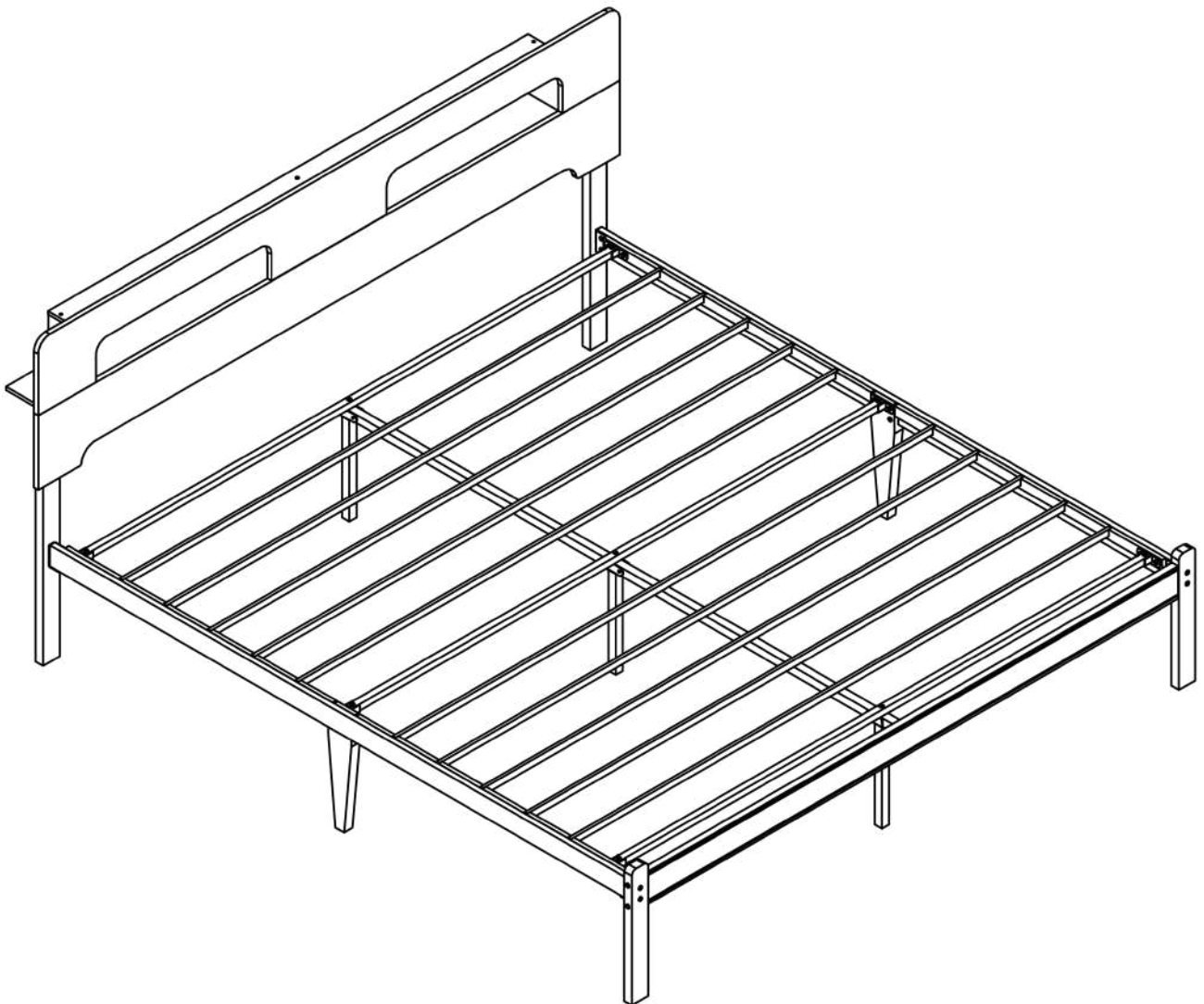
ASSEMBLY & INSTRUCTION

SIZE: King

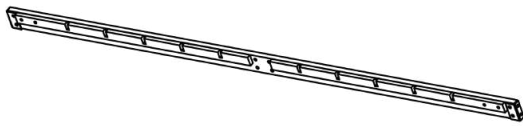
Notice: This instruction manual applies to King size.

DO NOT RETURN DIRECTLY!

If any parts are missing or damaged, we will gladly ship replacements free of charge.



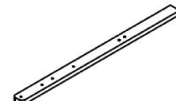
Weight Limit: 1000 Lb / 454 Kg



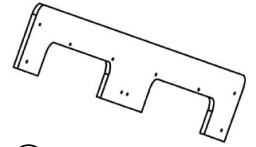
① Side beam
2*PCS



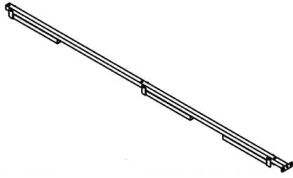
③ Side support posts
2*PCS



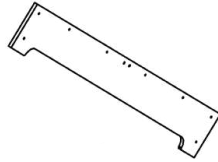
④ Bedposts
2*PCS



⑤ Top rest plate
1*PC



⑥ Center erection
1*PC



⑦ Lower rest plate
1*PC



⑧ Amidship
3*PCS



⑨ Bed tail plate
1*PC



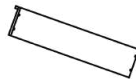
⑩ Bed surface tube
10*PCS



⑪ Connector
6*PCS



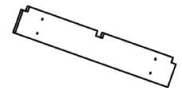
⑫ Foot of bed
2*PCS



⑬ Upper storage board
1*PC



⑭ Connecting plate
2*PCS



⑮ Lower storage board
1*PC



⑯ Straightening plate
1*PC



⑰ Supporting post
1*PC

Hardware Kit



A×14PCS
M8*27mm



B×8PCS
M8*36mm



C×3PCS
M8*53mm



D×4PCS
M6*75mm



E×10PCS
M8*14mm



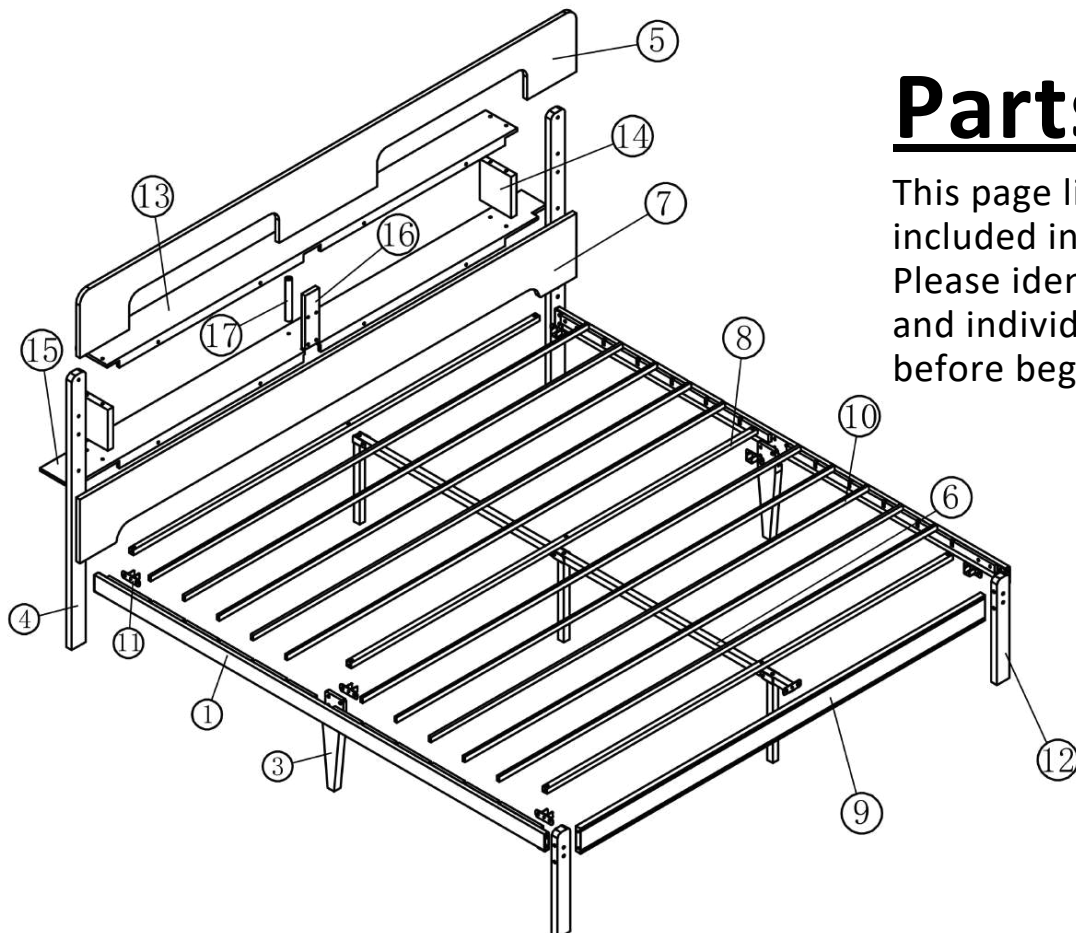
F×4PCS



G×22PCS
M6*20mm



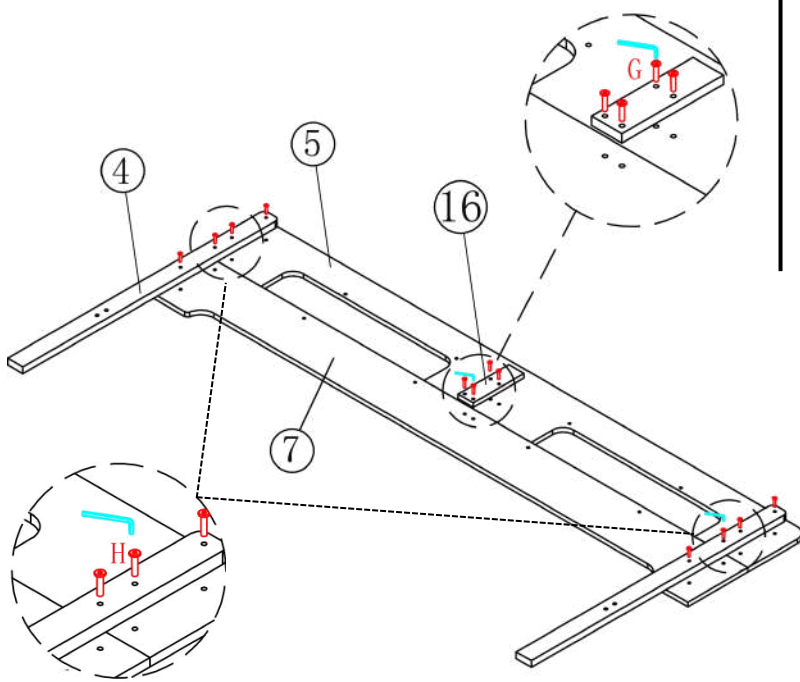
H×8PCS
M6*36mm



Parts




This page lists all the items included in this package. Please identify the hardware and individual components before beginning assembly.




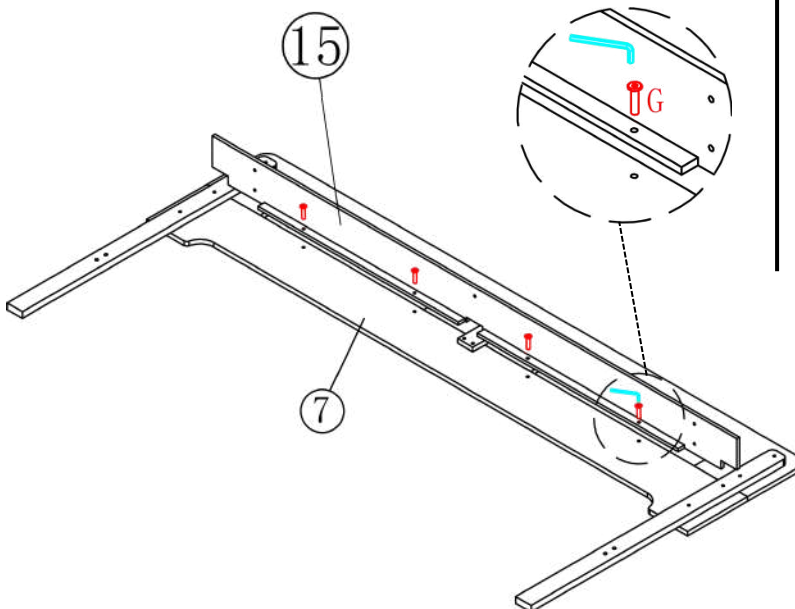
Step 1

Connect the Headboard Beam

- Attach headboard beam ⑤ and lower rest plate ⑦ to the bedposts ④ using eight bolts (H).
- Attach plate ⑬ to the plate ⑤ and plate ⑦ using four bolts (G).

 H×8PCS
M6*36mm


 G×4PCS
M6*20mm

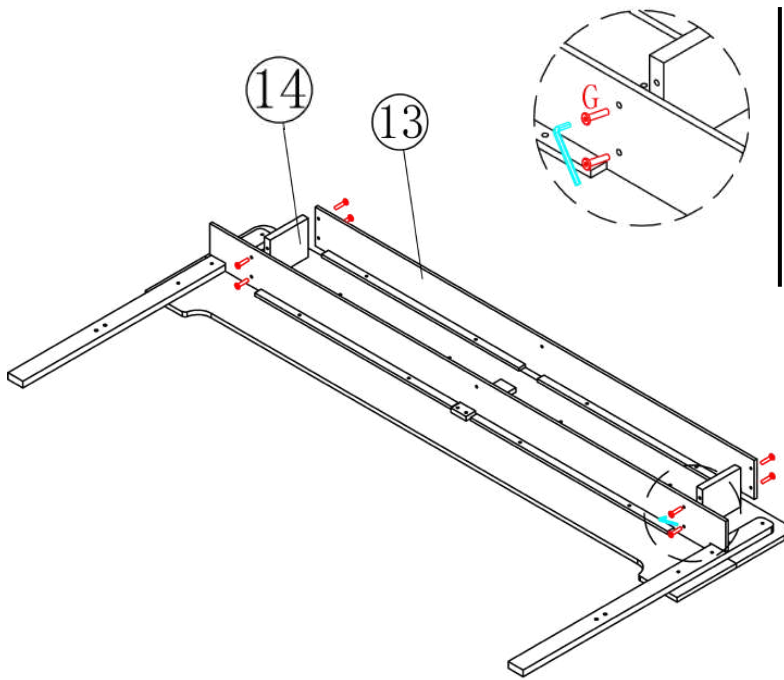


Step 2

Attach the Headboard Slats

- Attach lower storage board ⑮ to the lower rest plate ⑦ using four bolts (G).
- Slide each slat into the pre-drilled holes on the headboard beam.

 G×4PCS
M6*20mm

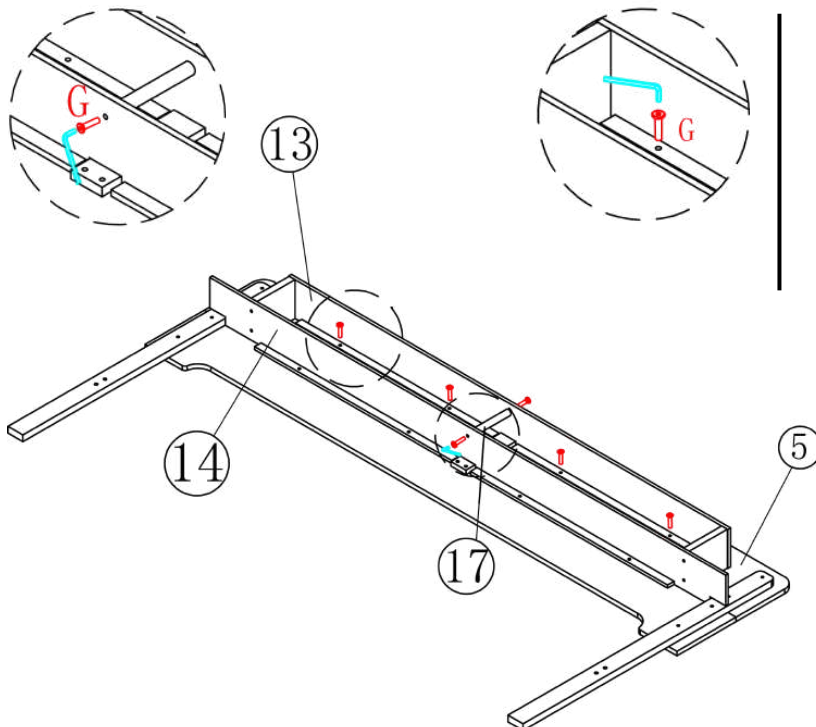


Step 3

Attach the Upper Storage Plate

- Take the remaining headboard beams (13) and connecting plate (14), line them up with eight bolts (G).


 G×8PCS
 M6*20mm

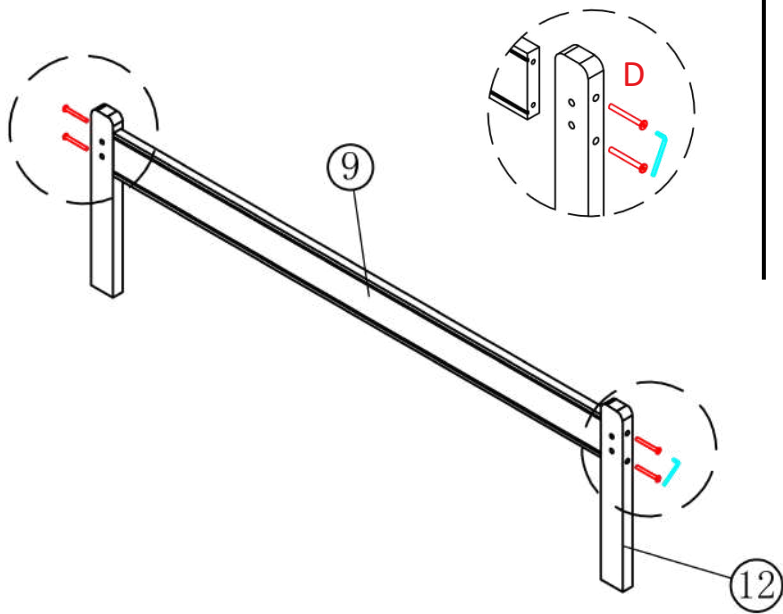


Step 4

Attach the Upper Storage Plate

- Attach upper storage board (13) to the upper rest plate (5) using four bolts (G).
- Attach post (17) to the board (13) and board (14) using two bolts (G).

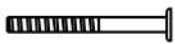

 G×6PCS
 M6*20mm



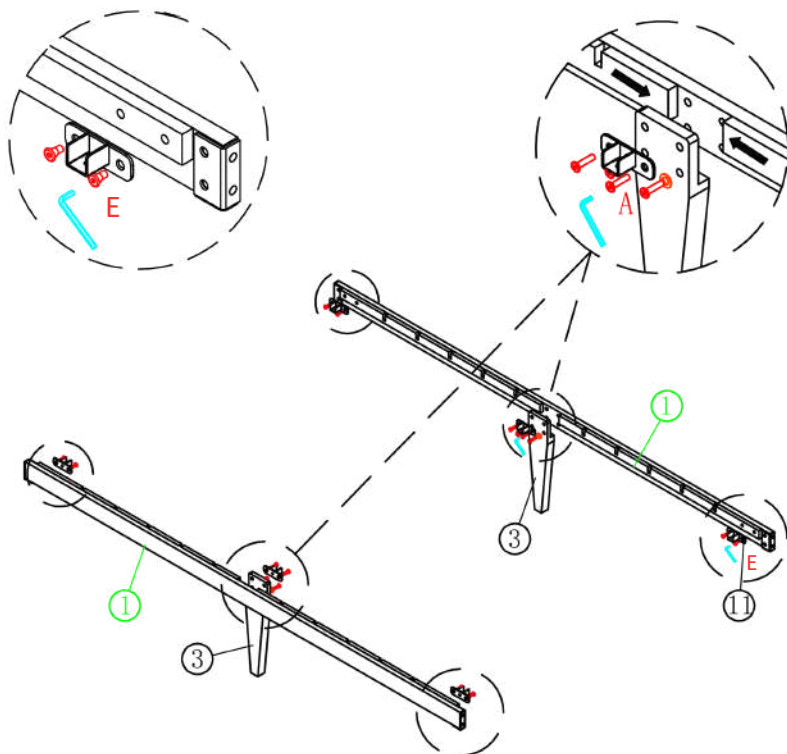
Step 5

Footboard Assembly

- Position the footboard rail (9) between the two footboard posts (12).
- Insert the four bolts (D) through the pre-drilled holes.
- Hand-tighten all bolts first to ensure proper alignment.
- Once aligned, fully tighten all bolts with appropriate tools.



D×4PCS
M6*75mm



Step 6

Assembly of Side Rails

- Connect the two beams (1) and middle support leg (3) using connectors (11) and eight bolts (A).
- Secure the connector at each end of the side rail assembly to the bed frame using eight bolts (E).
- (F) Installed in the two lower holes of (3).



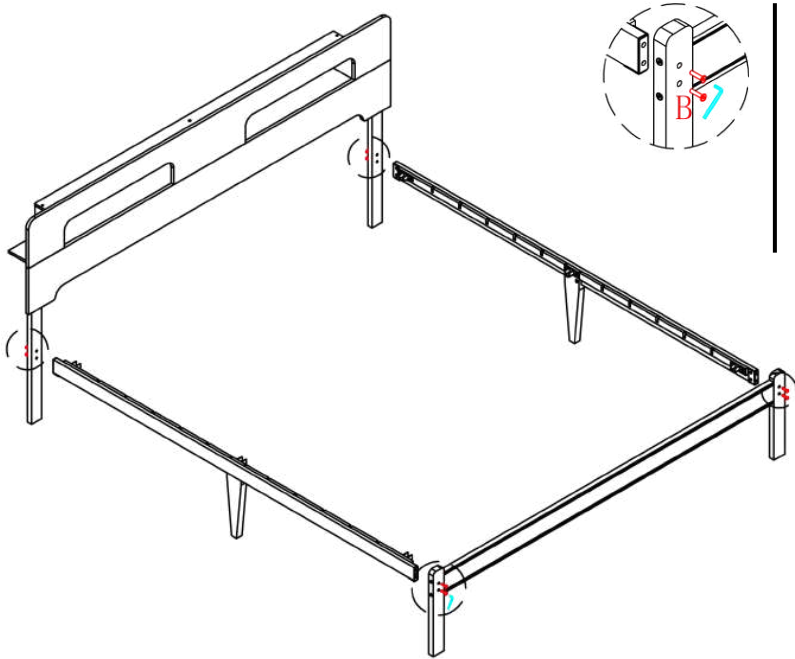
A×8PCS
M8*27mm



E×8PCS
M8*14mm



F×4PCS



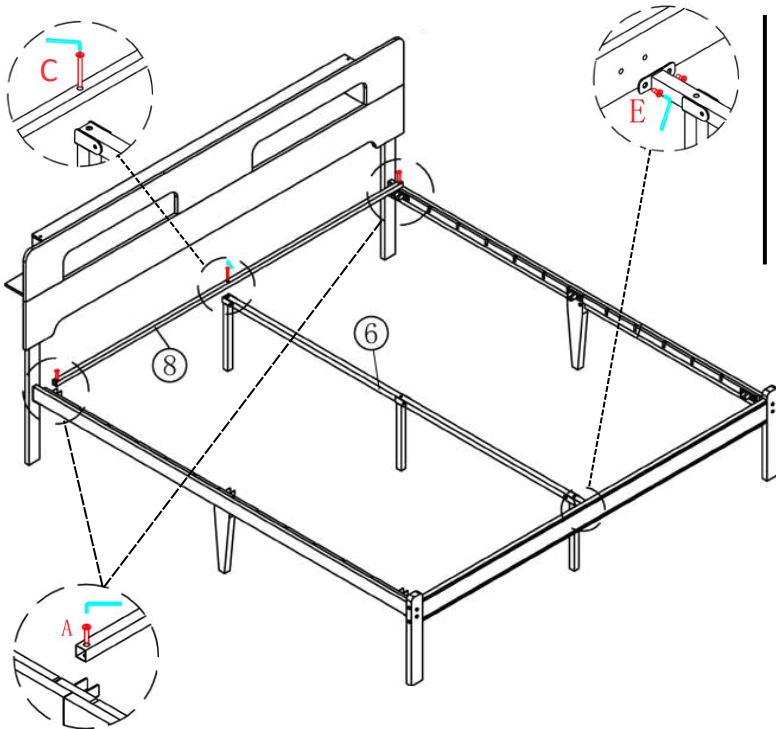
Step 7

Assembling the Bed Frame

- Align the mounting brackets on the side rails with the corresponding holes on both the headboard and footboard.
- Once all bolts are in place, use the provided Allen wrench to fully tighten eight bolts (B).



B×8PCS
M8*36mm



Step 8

Tubes Installing the Middle Support

- Attach the center pole (6) to both ends of the bed frame using two bolts (E).
- Position the center cross support (8) onto the center pole using one bolt (C).
- Secure the center cross support using the connector and two bolts (A).



A×2PCS
M8*27mm



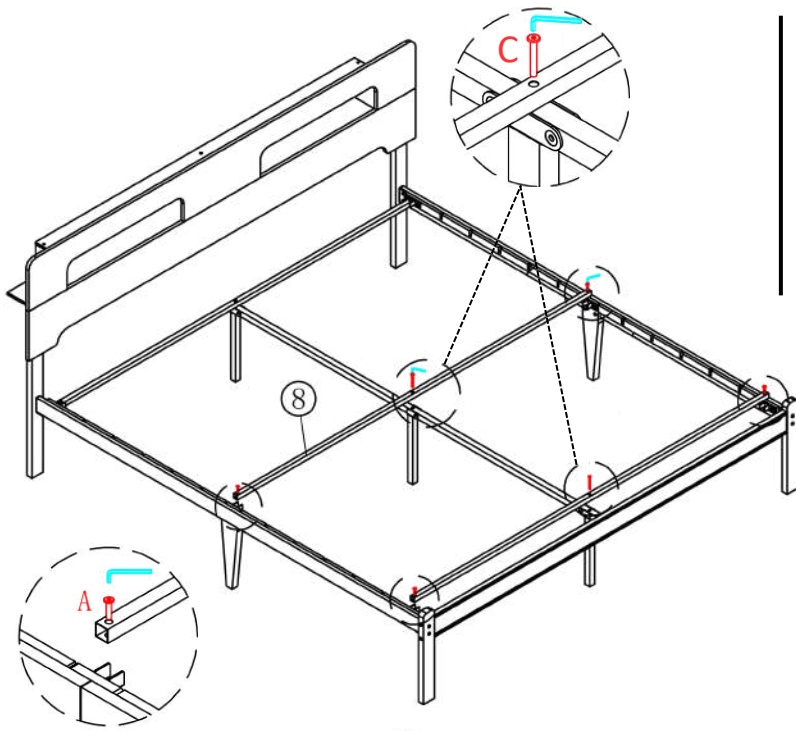
C×1PC
M8*53mm



E×2PCS
M8*14mm



Note: Ensure all connections are properly aligned before final tightening. This step is crucial for the bed's stability.




A×4PCS
M8*27mm


C×2PCS
M8*53mm

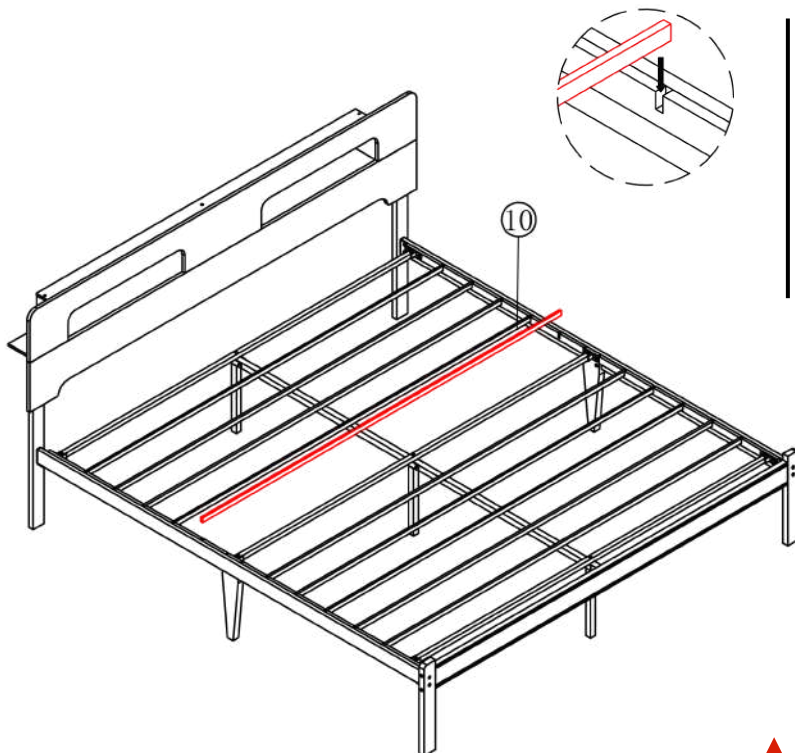
Step 9

Installing the Bed Slats

- Locate the two remaining middle transverse tubes .
- Attach these tubes to the center pole using two bolts (C).
- Secure all connections. Use four bolt (A) to fasten the middle transverse tubes.



Note: Ensure all connections are properly aligned before final tightening. This step is crucial for the bed's stability.



Step 10

Installing the Bed Slat

- Place all bed slats (10) across the side rails.



Note: Before completing assembly, double-check that all screws and components are fully tightened.

[Back to Top](#)