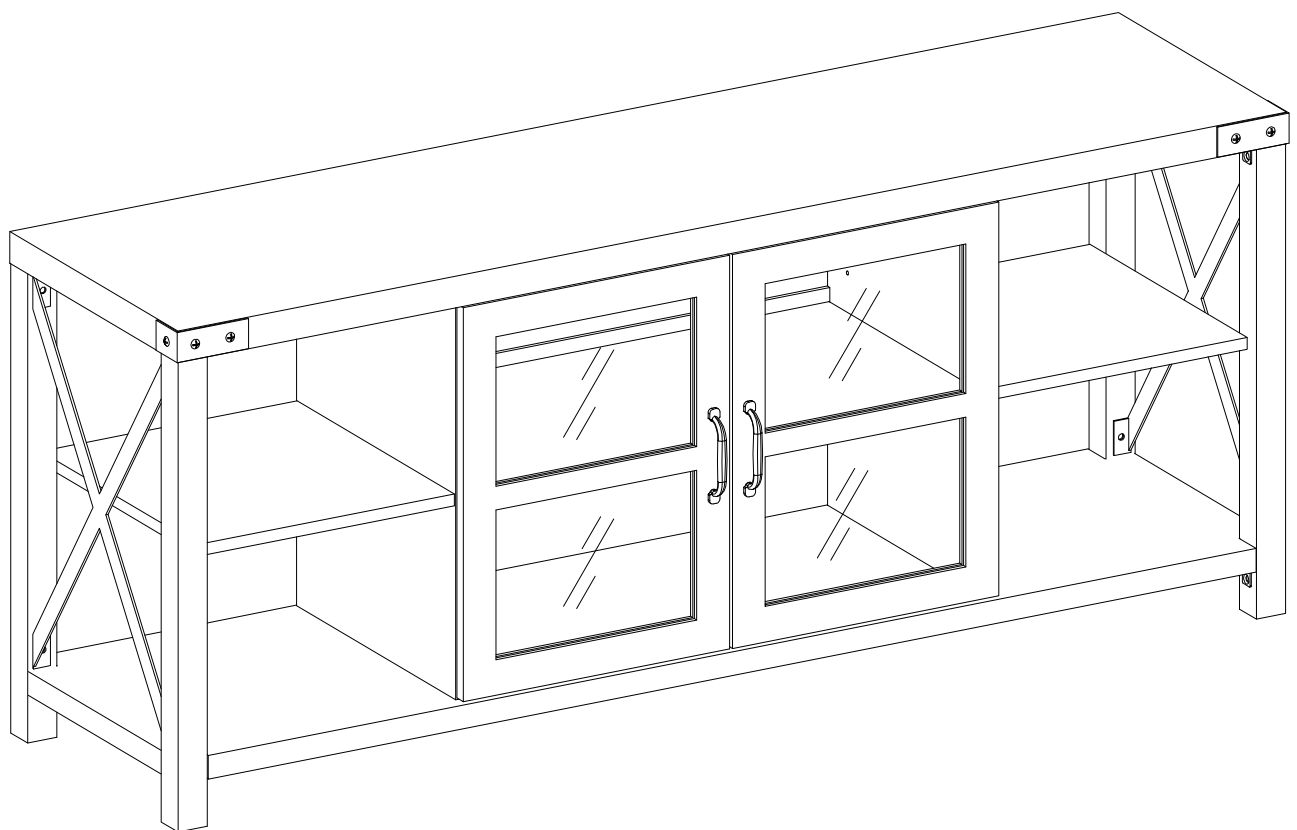
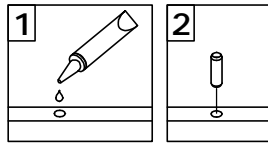


Assembly Instructions

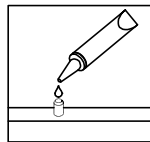


General Assembly Guidelines

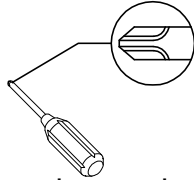
- I. Ensure that all parts and hardware are available before beginning assembly.
- II. Follow each step carefully to ensure the proper assembly of this product.
- III. Two people are recommended for ease in the assembly of this product.
- IV. The three main types of hardware used to assemble this product are: wood dowels, screws and bolts.
- V. The provided glue is to secure wood dowels in place. When first inserting dowels, locate the appropriate hole for the dowel, place a small amount of glue in the hole and insert the dowel. Wipe away excess glue immediately.



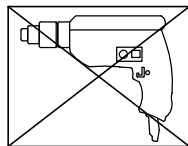
In future assembly steps when dowels are necessary to attach assembly parts together, place a small amount of glue on the end of the dowel before attaching parts together. Wipe away excess glue immediately.



- VI. A Phillips head screwdriver is required for the assembly of this product.

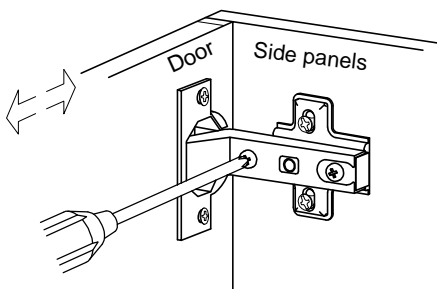


- VII. Power tools should not be used to assemble this product.

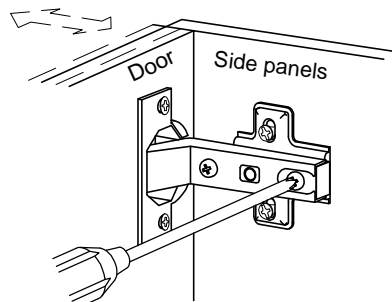


- VIII. Drill may be needed for securing product to wall.

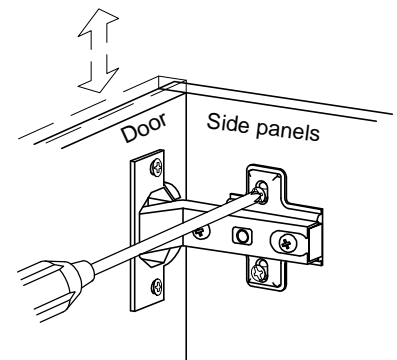
- IX. Concealed hinges are three-way adjustable.



Horizontal
by screw adjustment

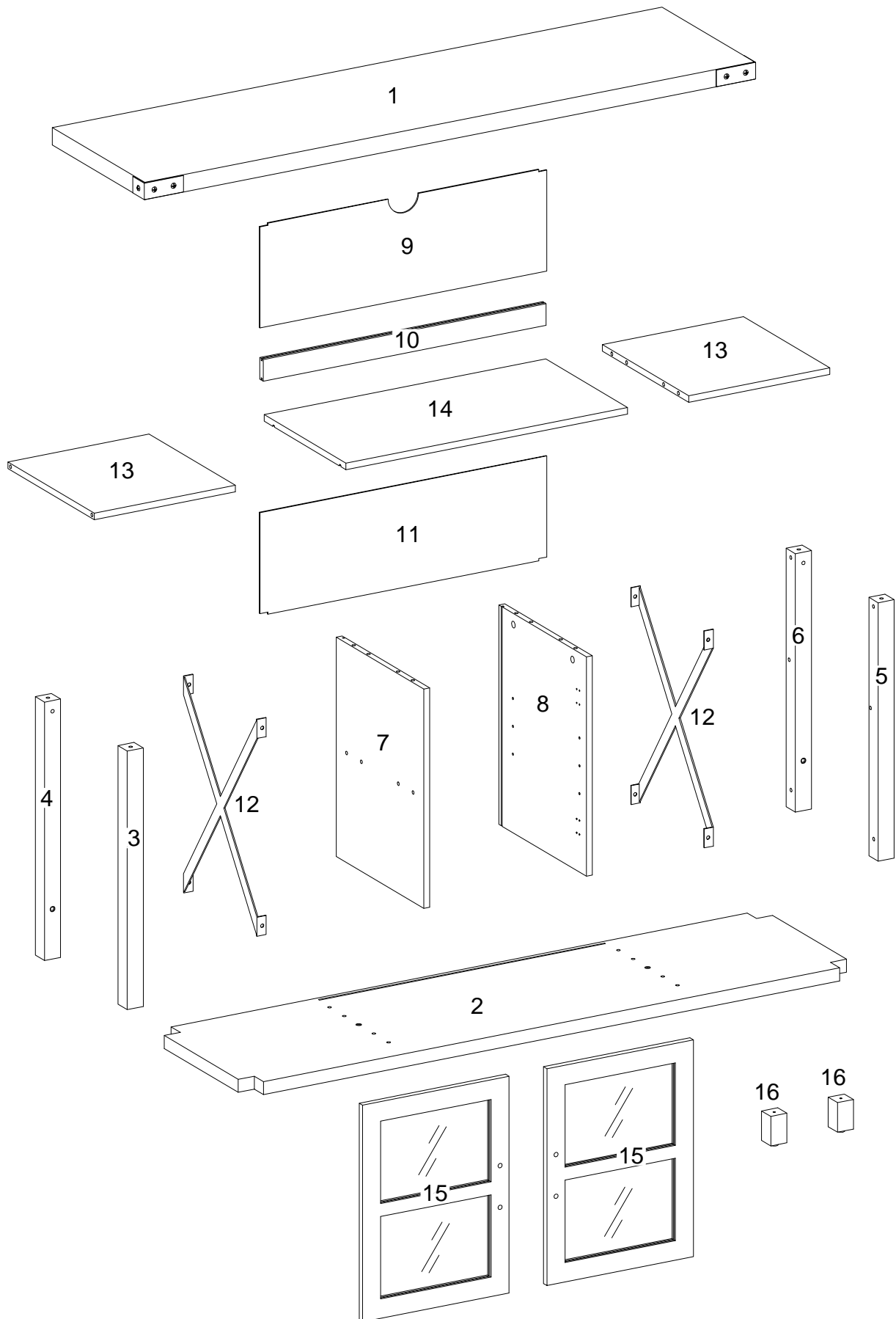


In-and-Out
by loosening the hinge-arm
mounting screw or via cam
adjustment





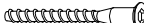





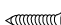

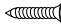




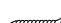



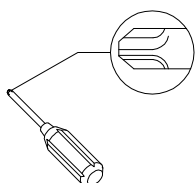
Vertical
Via slots in the mounting
plate or via cam adjustment

Parts List



Hardware List

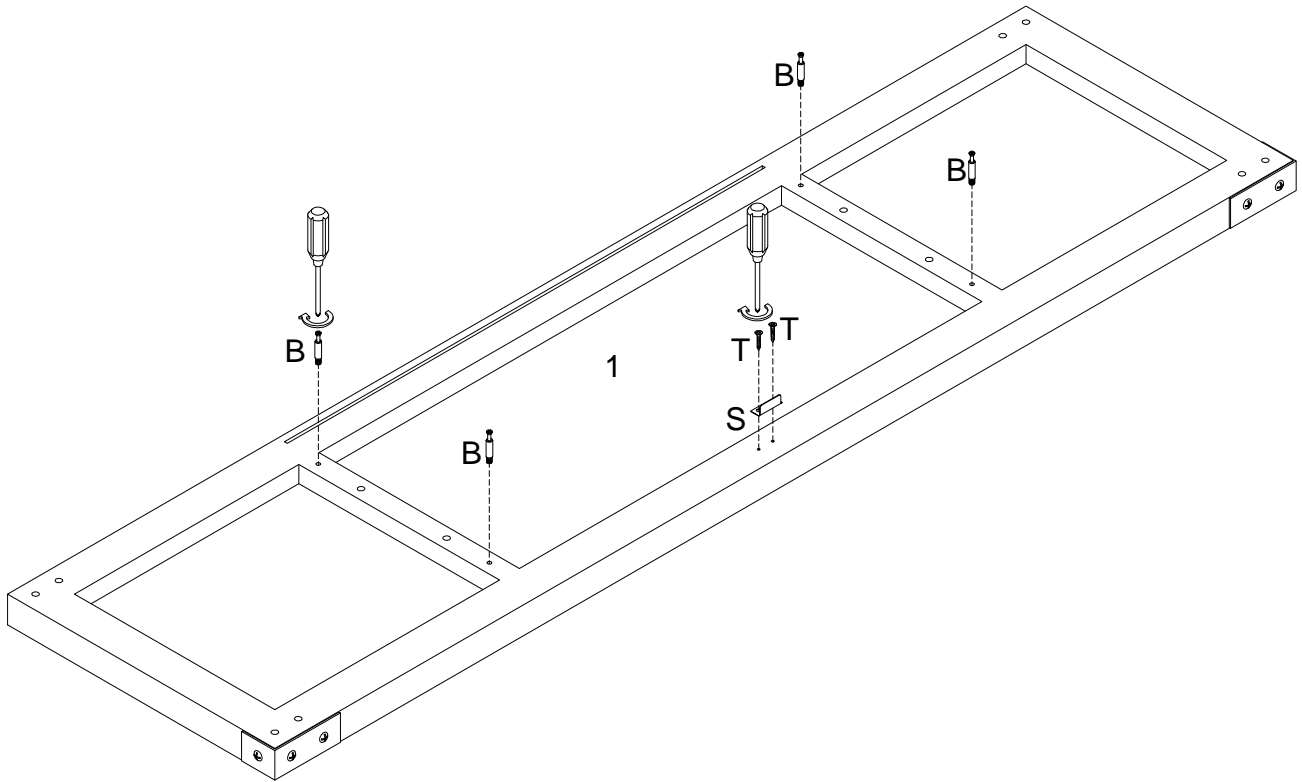
A		Ø8x30mm	Wooden dowel	16 pcs
B		Ø6x35mm	Cam bolt	12 pcs
C		Ø15x11mm	Cam lock	12 pcs
D			Sticker	12 pcs
E		Ø6x50mm	Screw	6 pcs
F		M 4	Hex Key	1 pc
G		Ø6x15mm	Bolt	16 pcs
H		Ø6x15mm	Bolt	8 pcs
J			L shape bracket	8 pcs
K			Plastic wedge	8 pcs
L		Ø3x17mm	Screw	8 pcs
M			Europe hinge	4 pcs
N		Ø3.5x15mm	Screw	24 pcs
P			Knob	2 pcs
Q		Ø4x22mm	Bolt	4 pcs
R		Ø8x5x16mm	Shelf support pin	4 pcs
S			Door stopper	1 pc
T		Ø3x15mm	Screw	2 pcs
U			Glue tube	1 pc



Philips head screwdriver required for assembly
(not included)

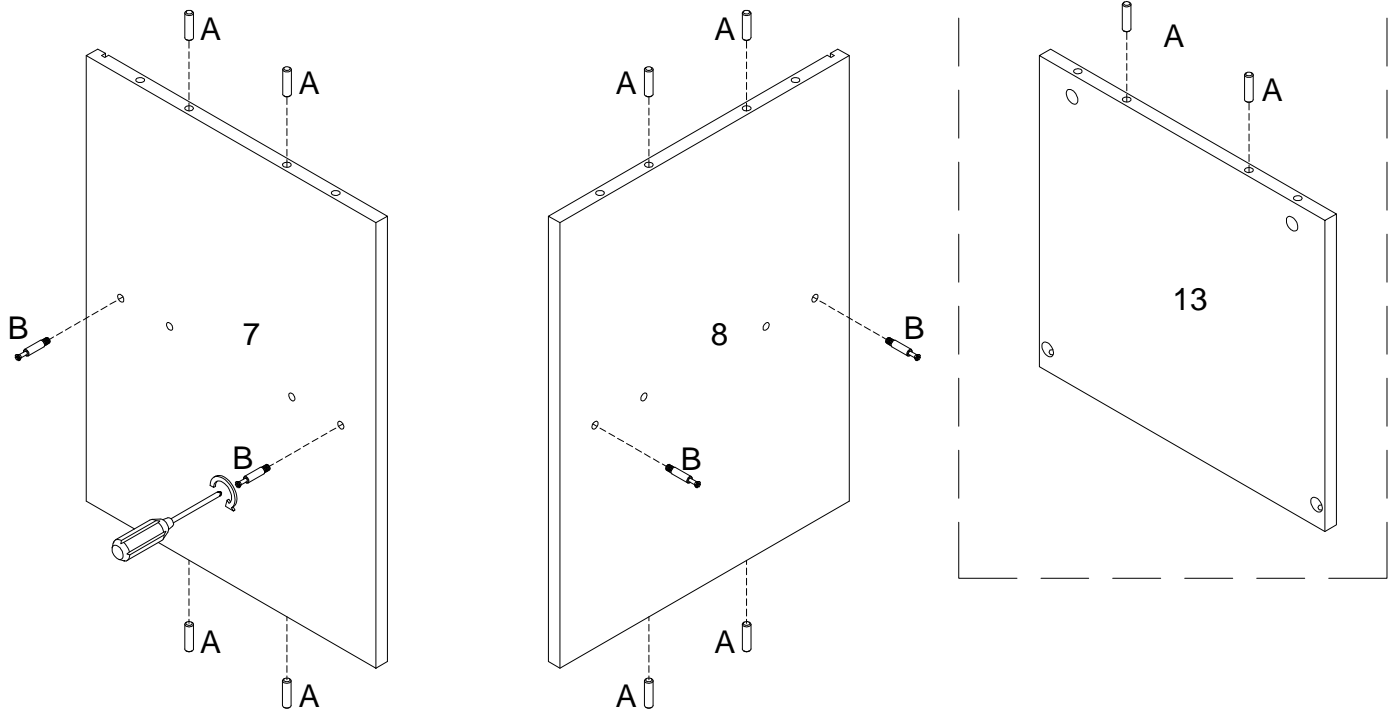
*The hardware quantities listed above are required for proper assembly.
Some extra hardware may also have been included.*

Step 1



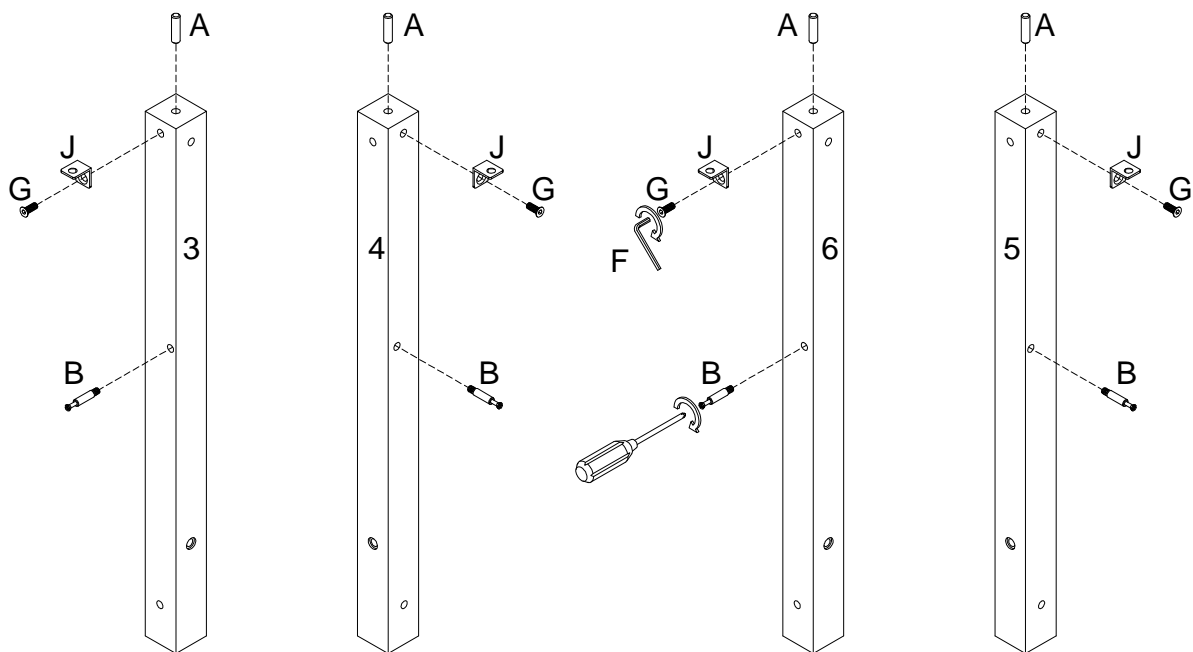
Secure cam bolt(B) to part(1), then using screw (T) secure door stopper (S) to part (1) with Philips head screwdriver .

Step 2



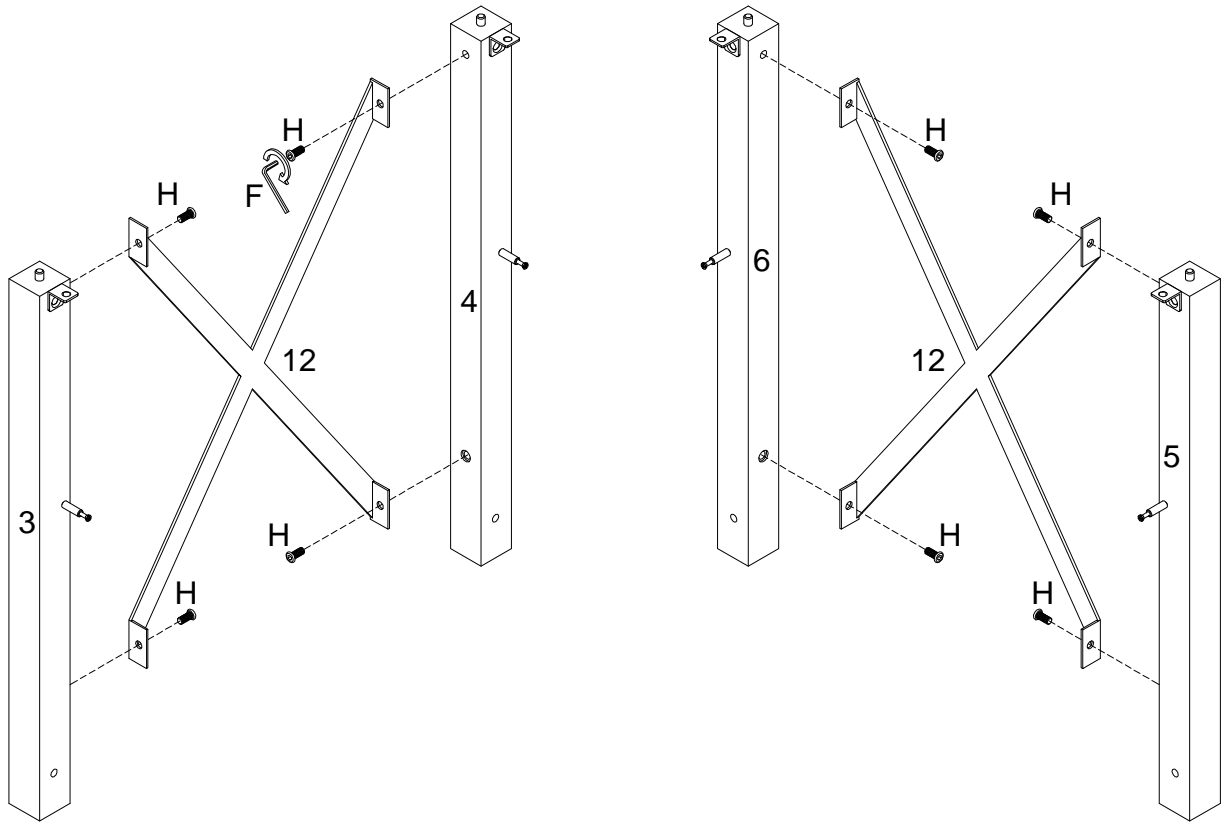
Insert wooden dowel (A) into parts (7,8,13), then secure cam bolt (B) to parts (7,8) with Philips head screwdriver .

Step 3



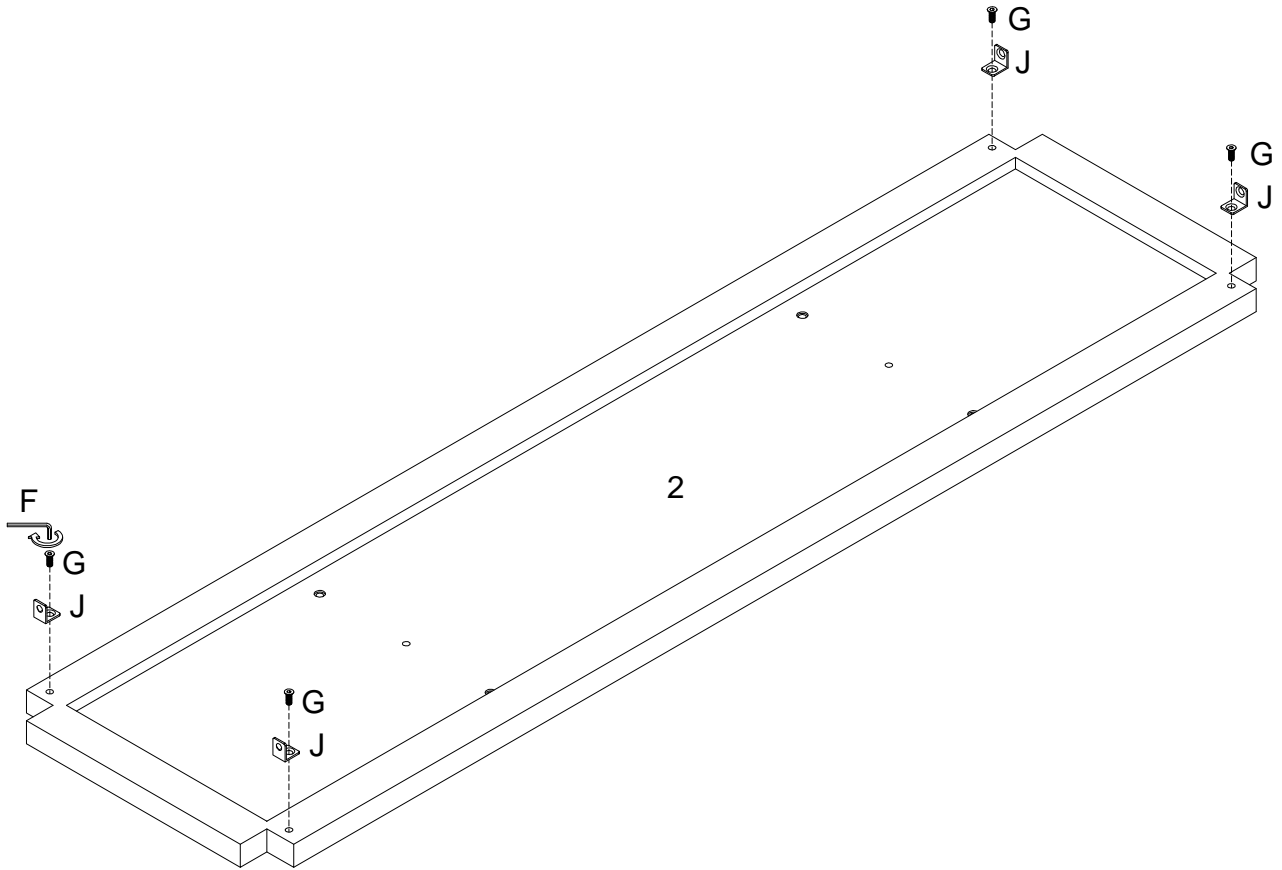
Insert wooden dowel (A) into parts (3,4,5,6), then secure cam bolt (B) to parts (3,4,5,6) with Philips head screwdriver .Using bolt (G) attach L shape bracket (J) to parts (3,4,5,6) with hex key (F) as per diagram.

Step 4



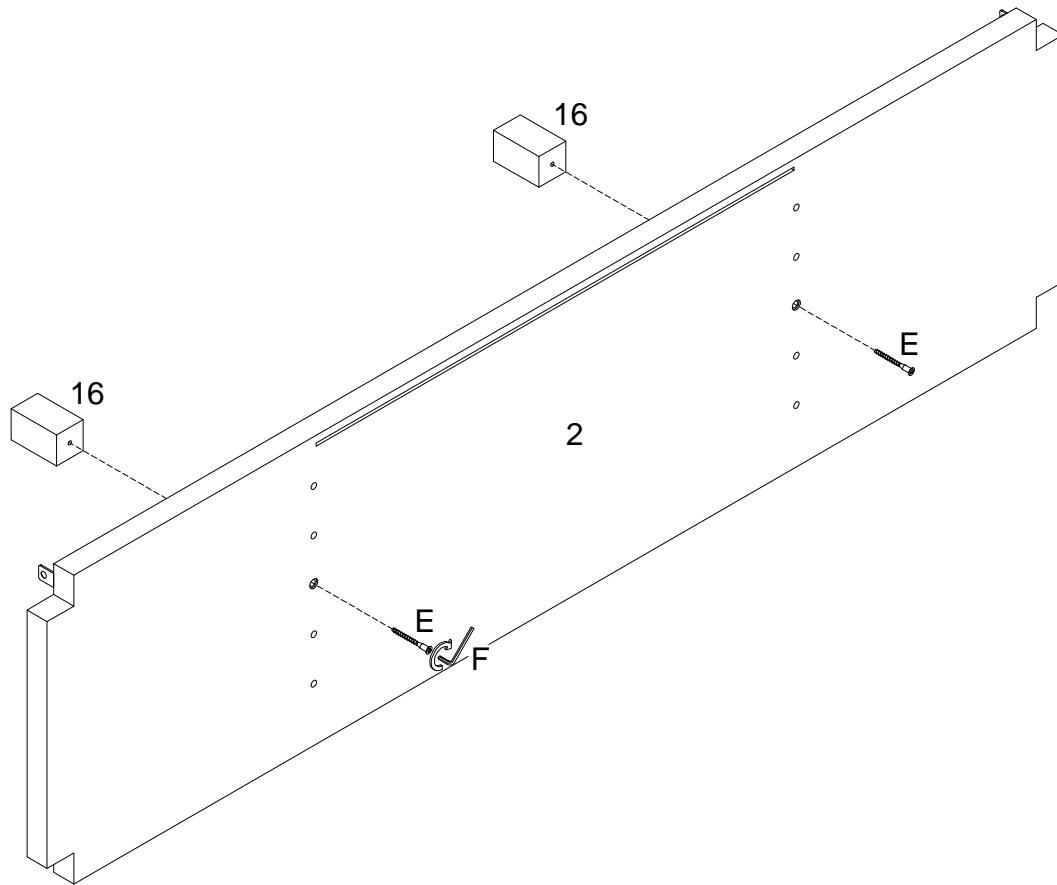
Using bolt (H) attach part (12) to parts (3,4;5,6) with hex key (F) as per diagram.

Step 5



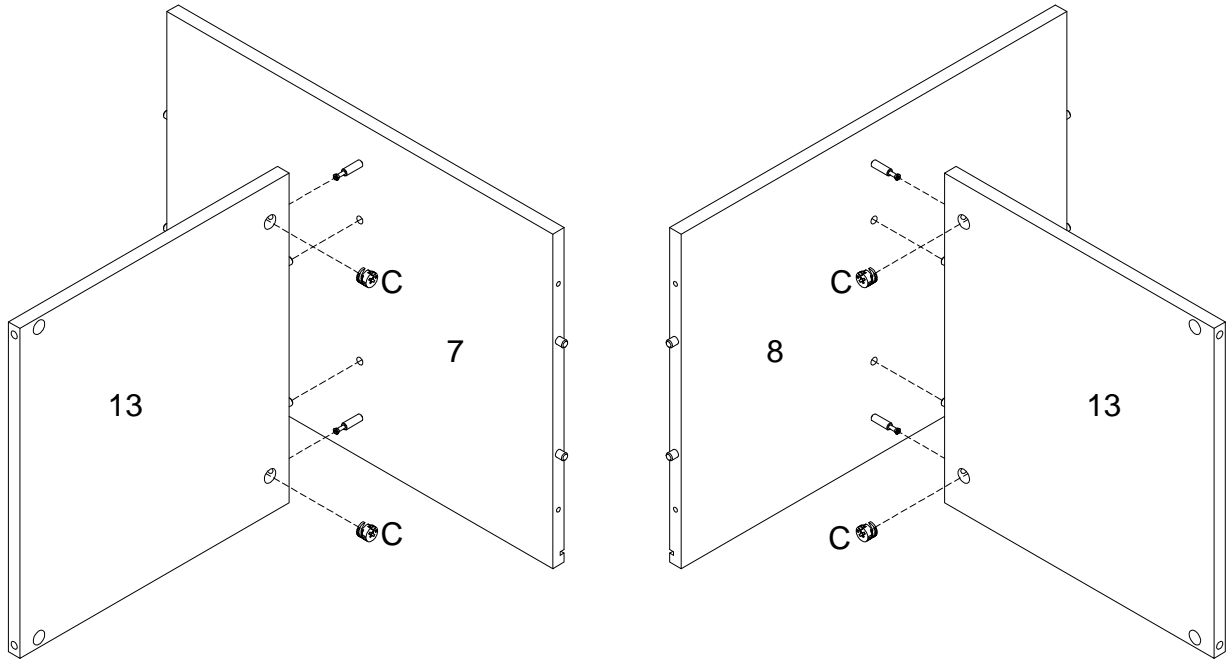
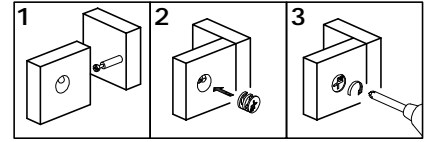
Using bolt (G) attach L shape bracket (J) to part (2) with hex key (F) as per diagram.

Step 6



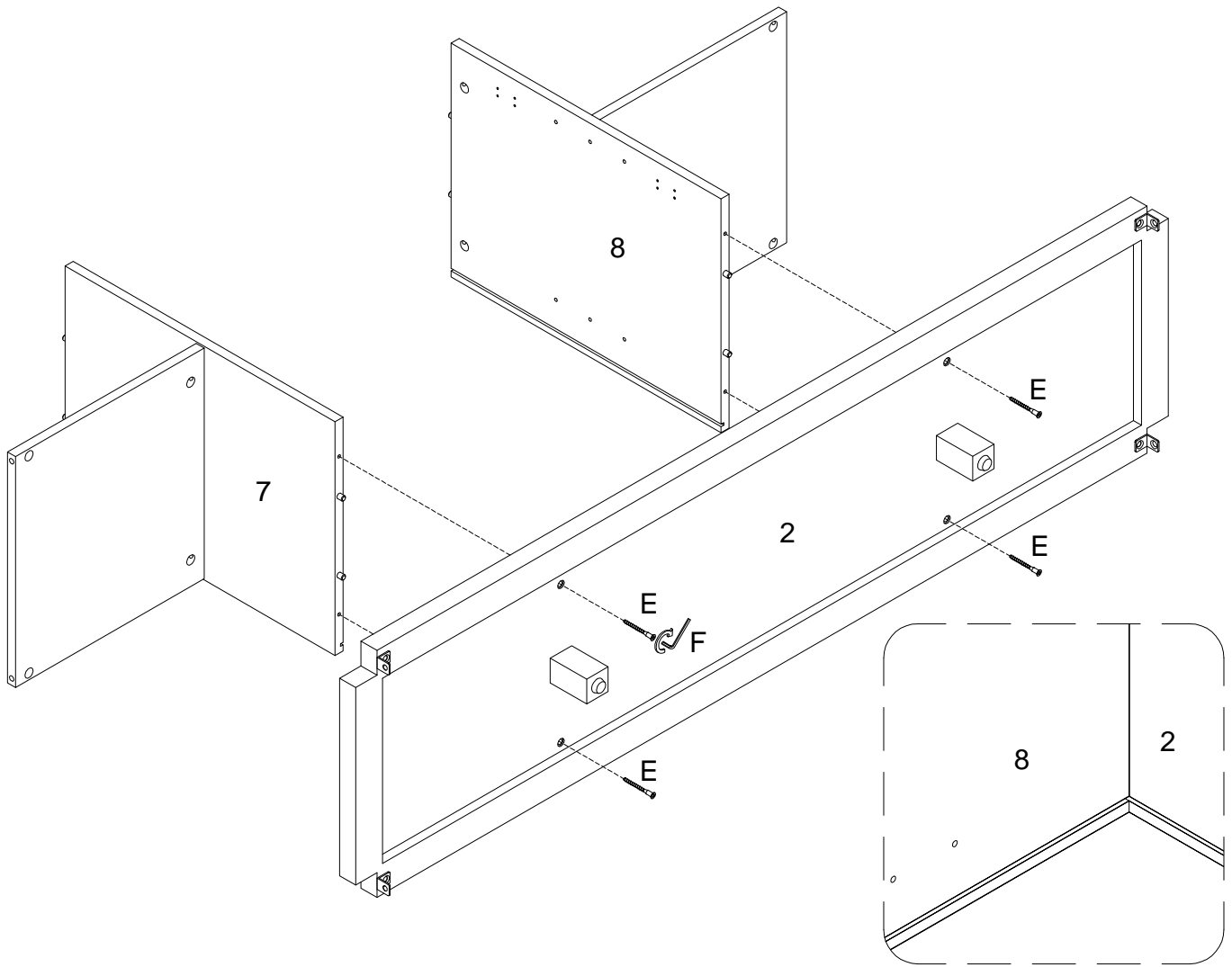
Using screw (E) attach part (16) to part (2) with hex key (F) as per diagram.

Step 7



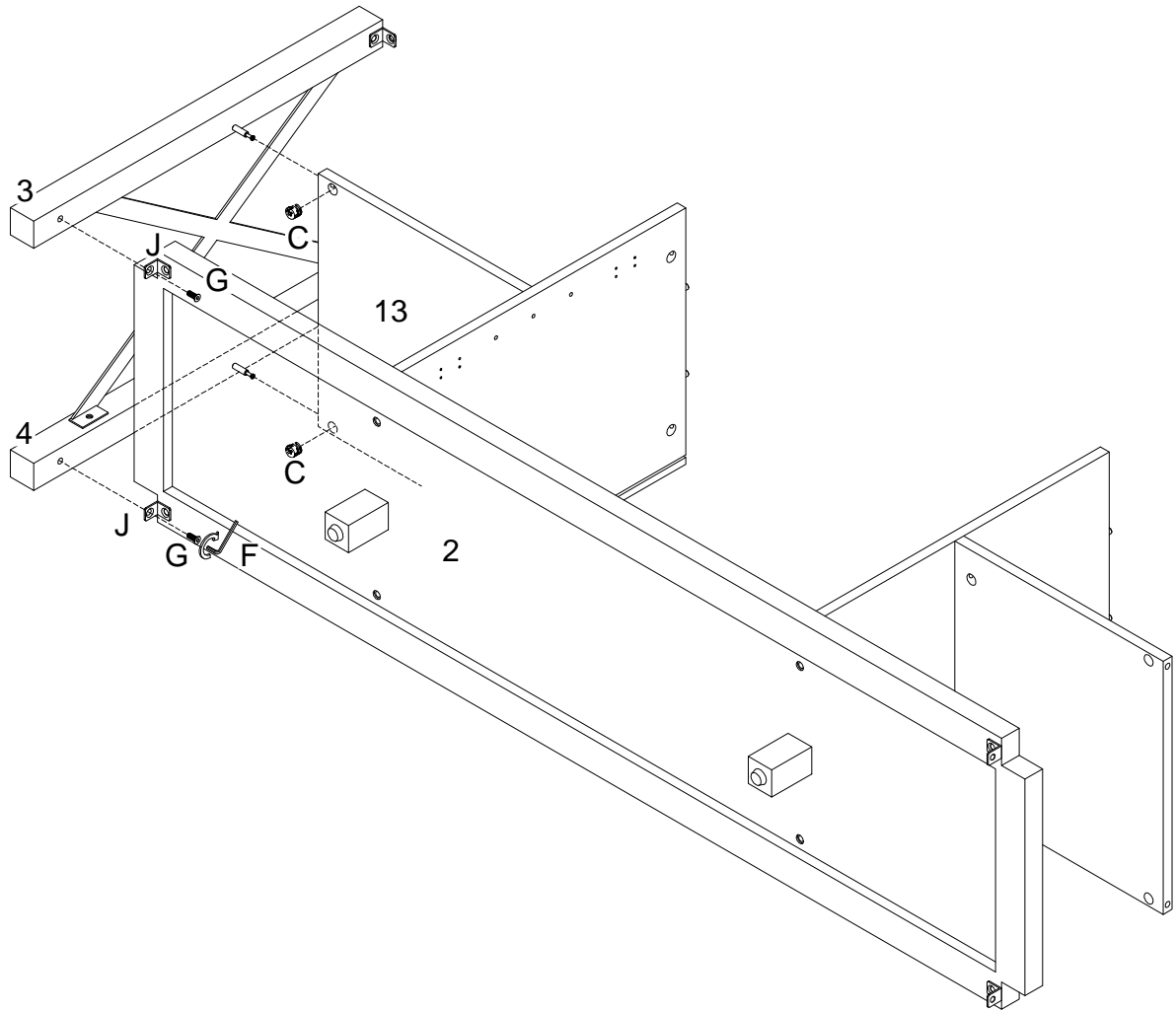
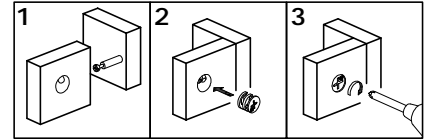
Using cam lock (C) attach part (13) to parts (7,8) with Philips head screwdriver as per diagram.

Step 8



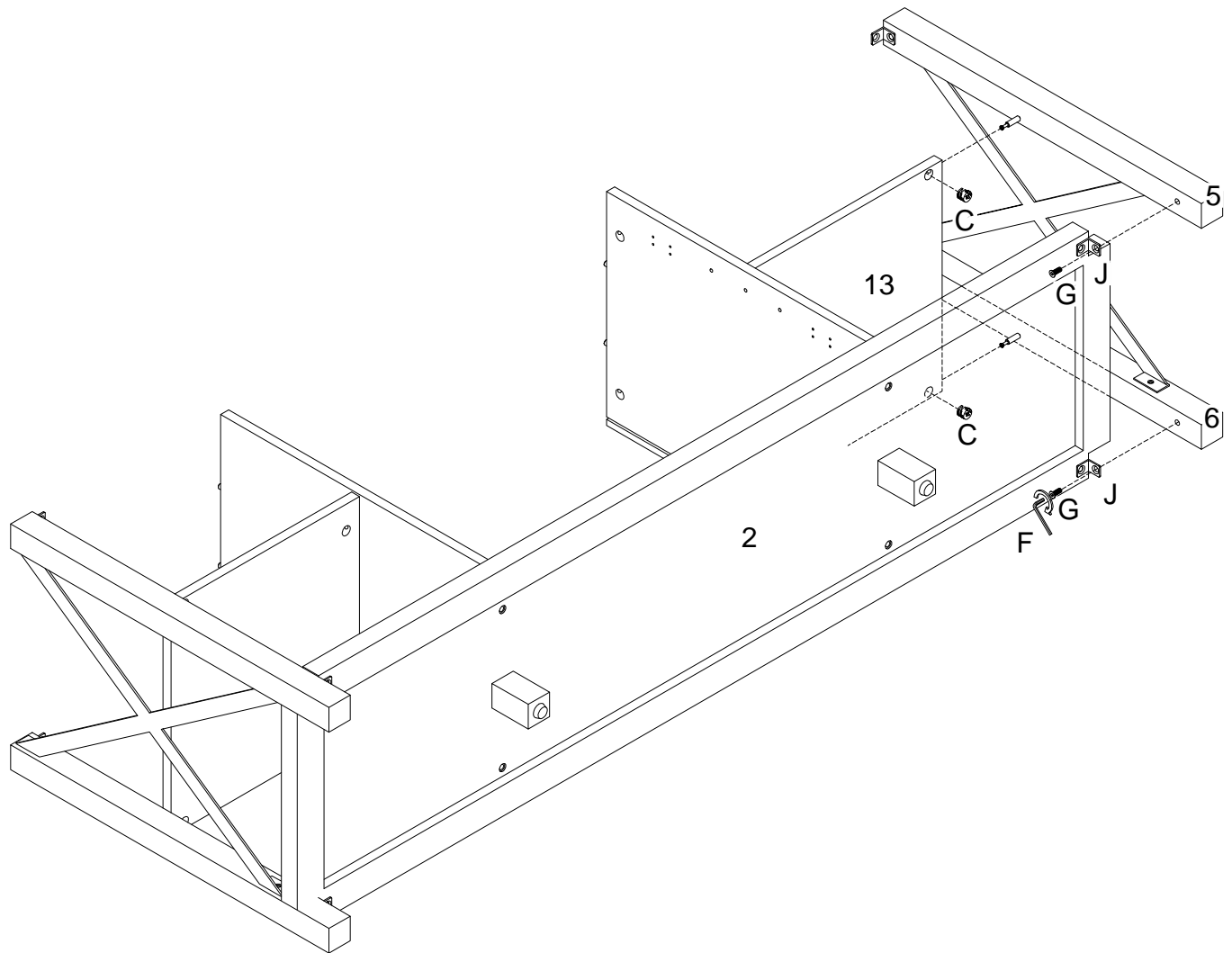
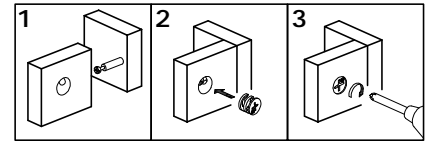
Using screw (E) attach part (7,8) to parts (2) with hex key (F) as per diagram.

Step 9



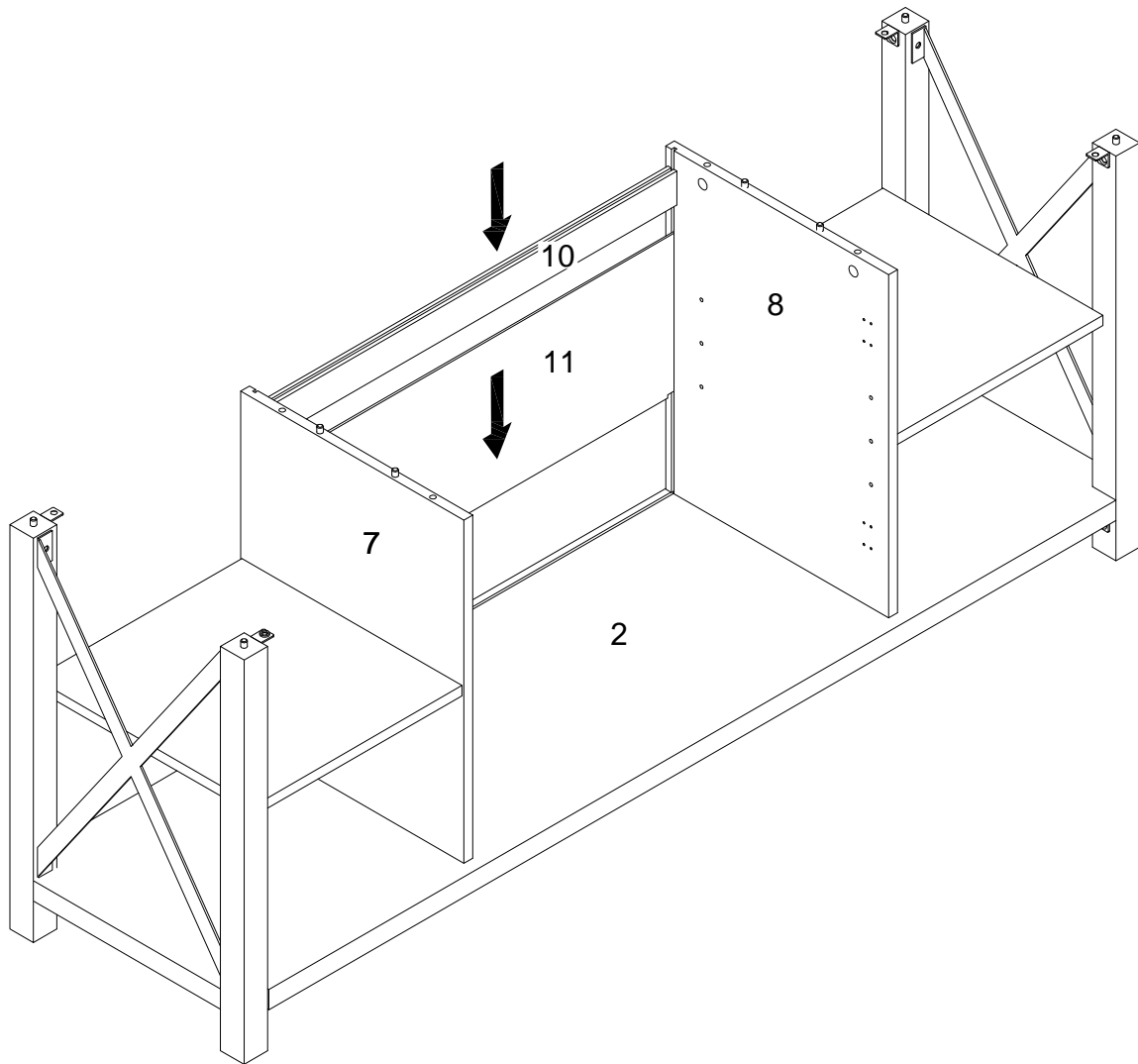
Using cam lock (C) secure parts (3,4) to part (13) with Philips head screwdriver , then using bolt (G) secure parts (3,4) to parts (2) with hex key (F) as per diagram.

Step 10



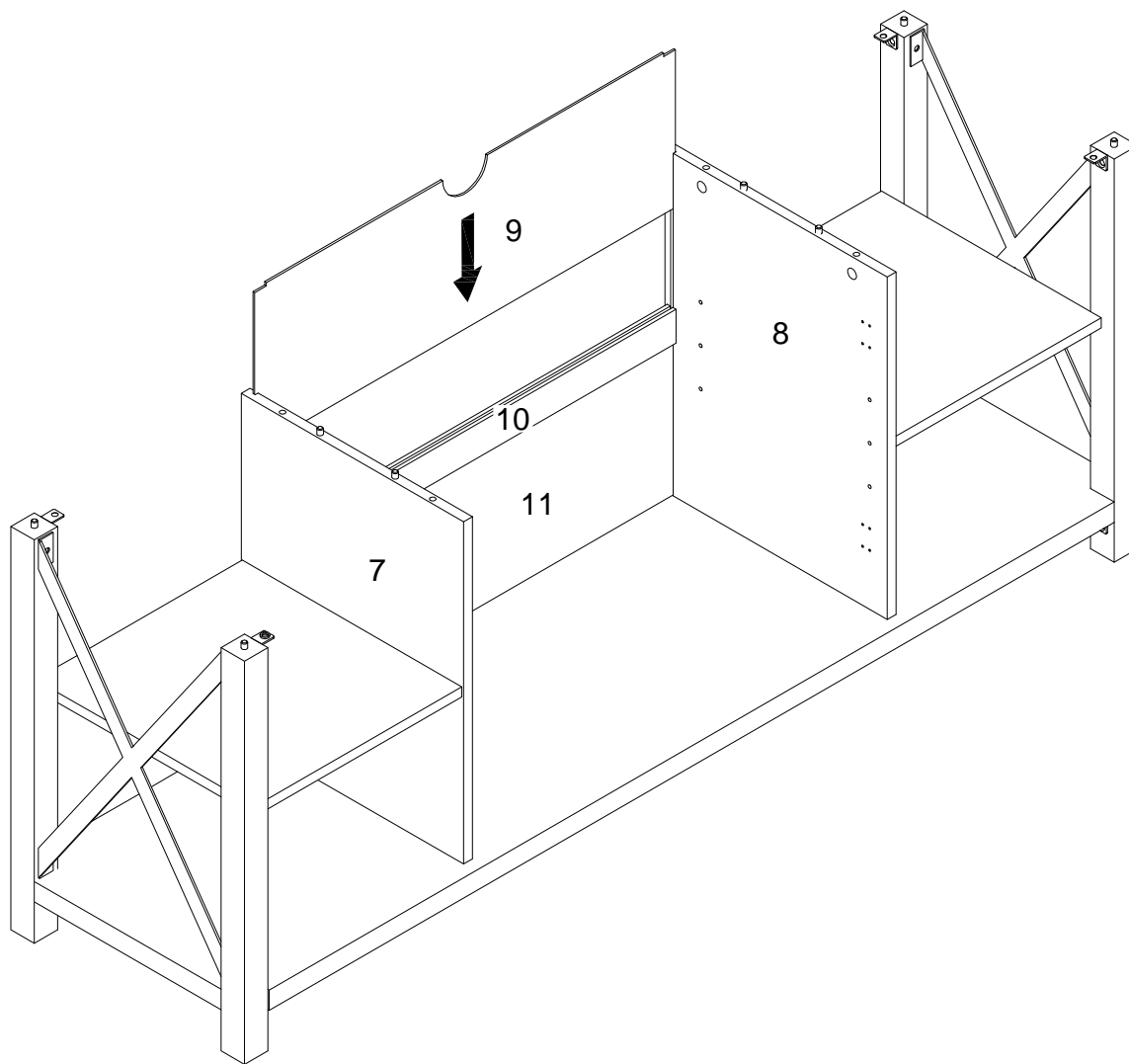
Using cam lock (C) secure parts (5,6) to part (13) with Philips head screwdriver , then using bolt (G) secure parts (5,6) to parts (2) with hex key (F) as per diagram.

Step 11



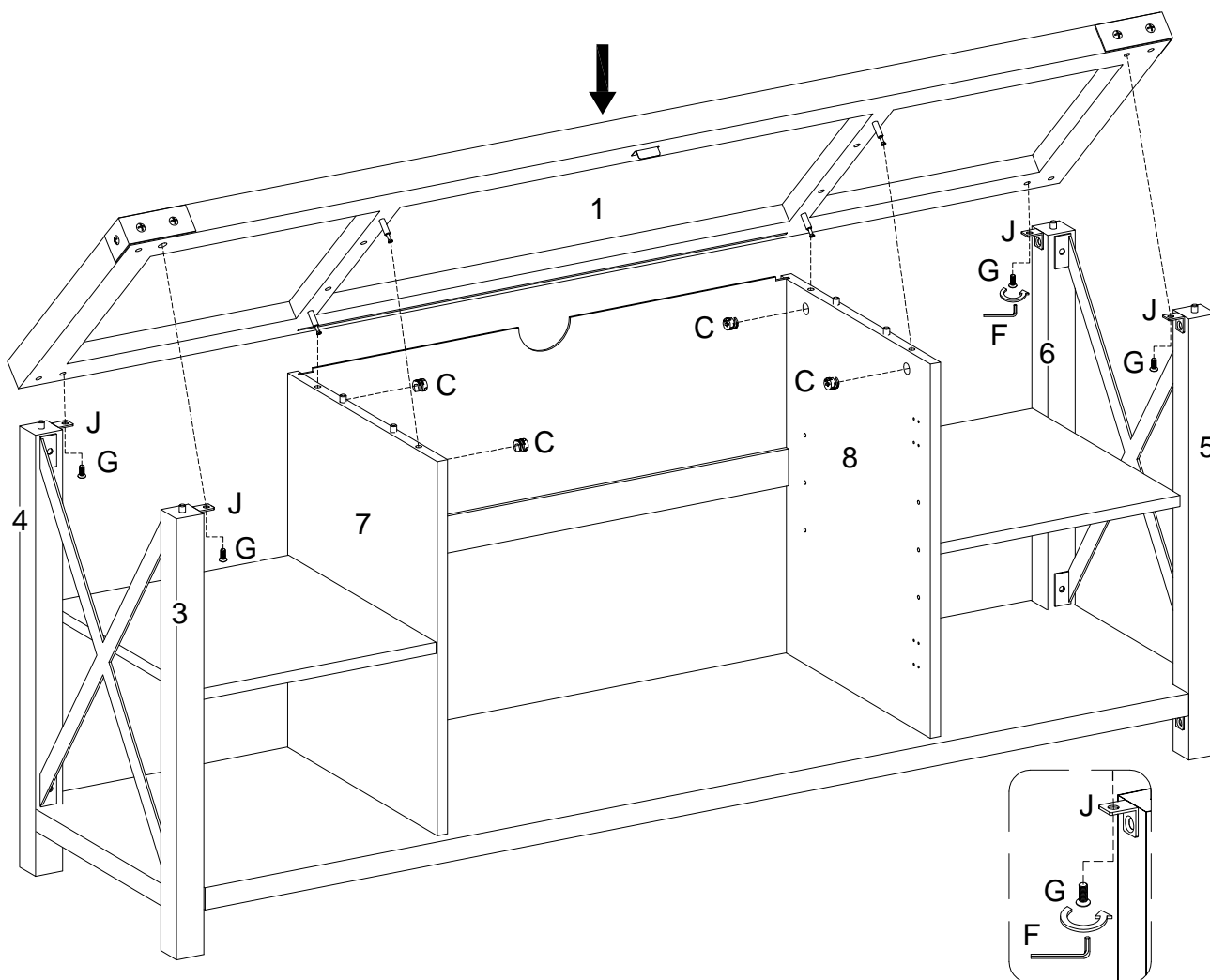
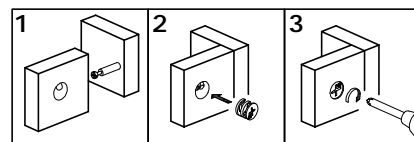
Put part (11) into parts (2,7,8) ,then put part (10) as per diagram.

Step 12



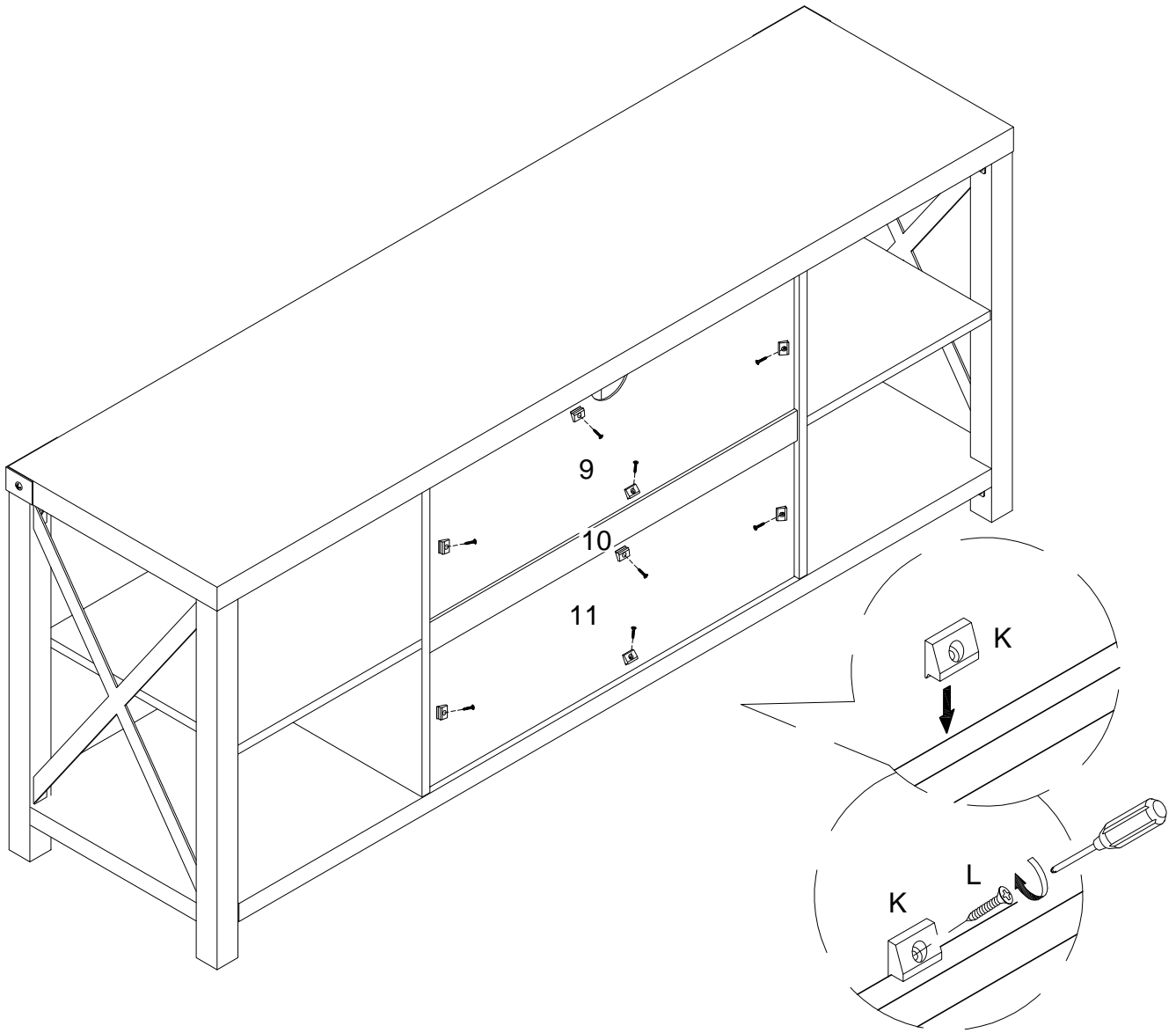
Put part (9) into parts (7,8,10) as per diagram.

Step 13



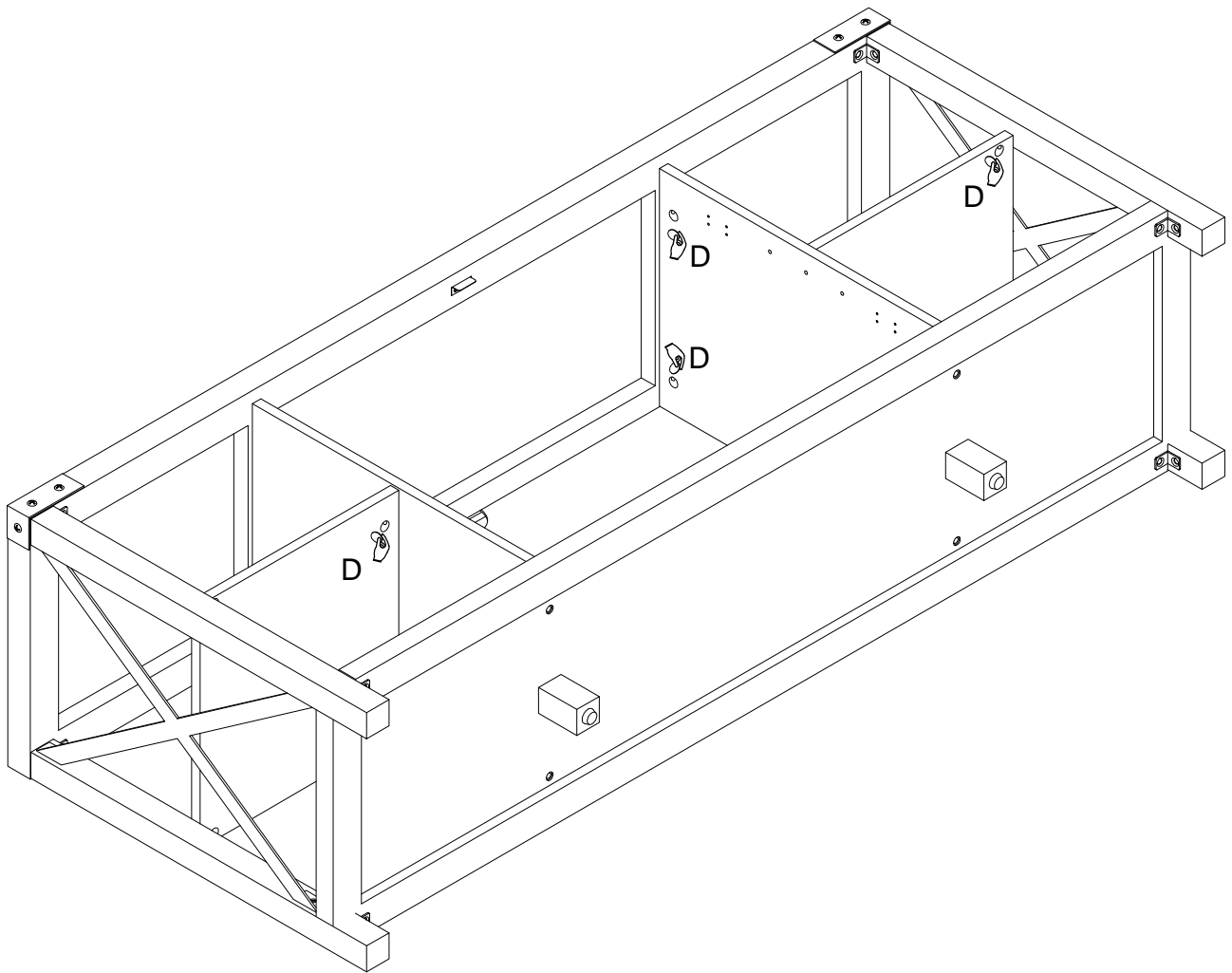
Position the top panel(1) onto the inserted wooden dowels and fasten it in place with blot (G) and cam lock (C) as per diagram.

Step 14



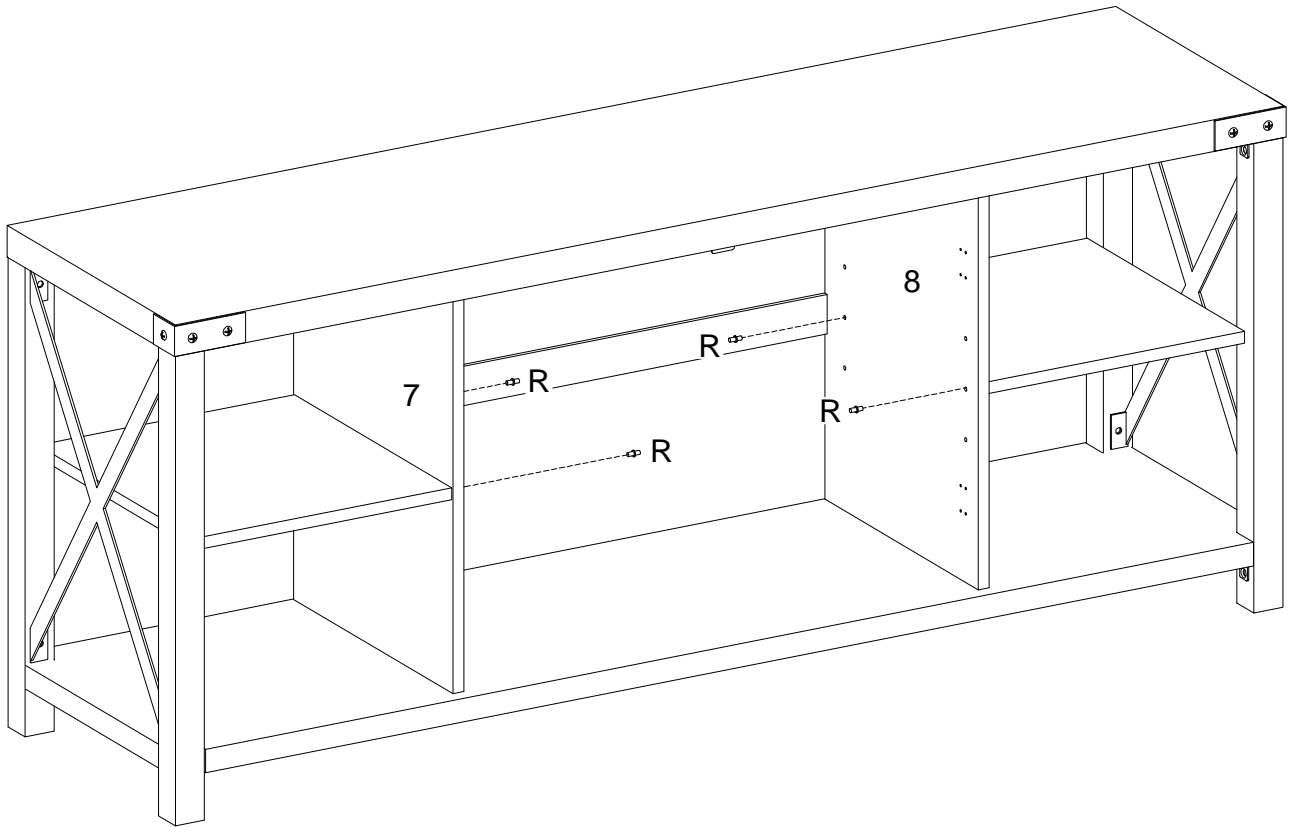
Using screw (L) secure plastic wedge (K) to parts (9,11) with Philips head screwdriver as per diagram.

Step 15



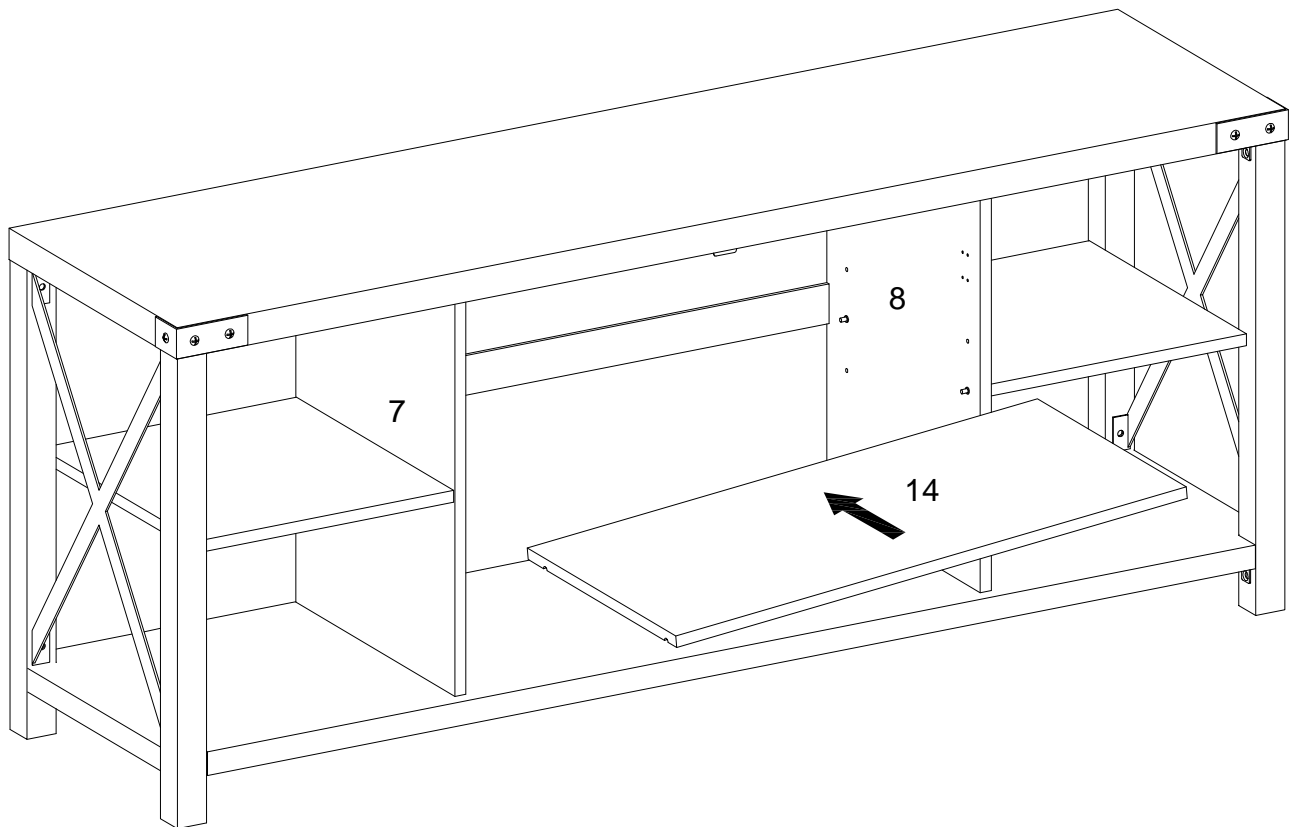
Place sticker (D) to cover the holes as per diagram.

Step 16



Insert shelf support pin (R) into parts (7,8) as per diagram.
Make sure you place the four shelf support pins (R) in the same level. So the shelf is not titled

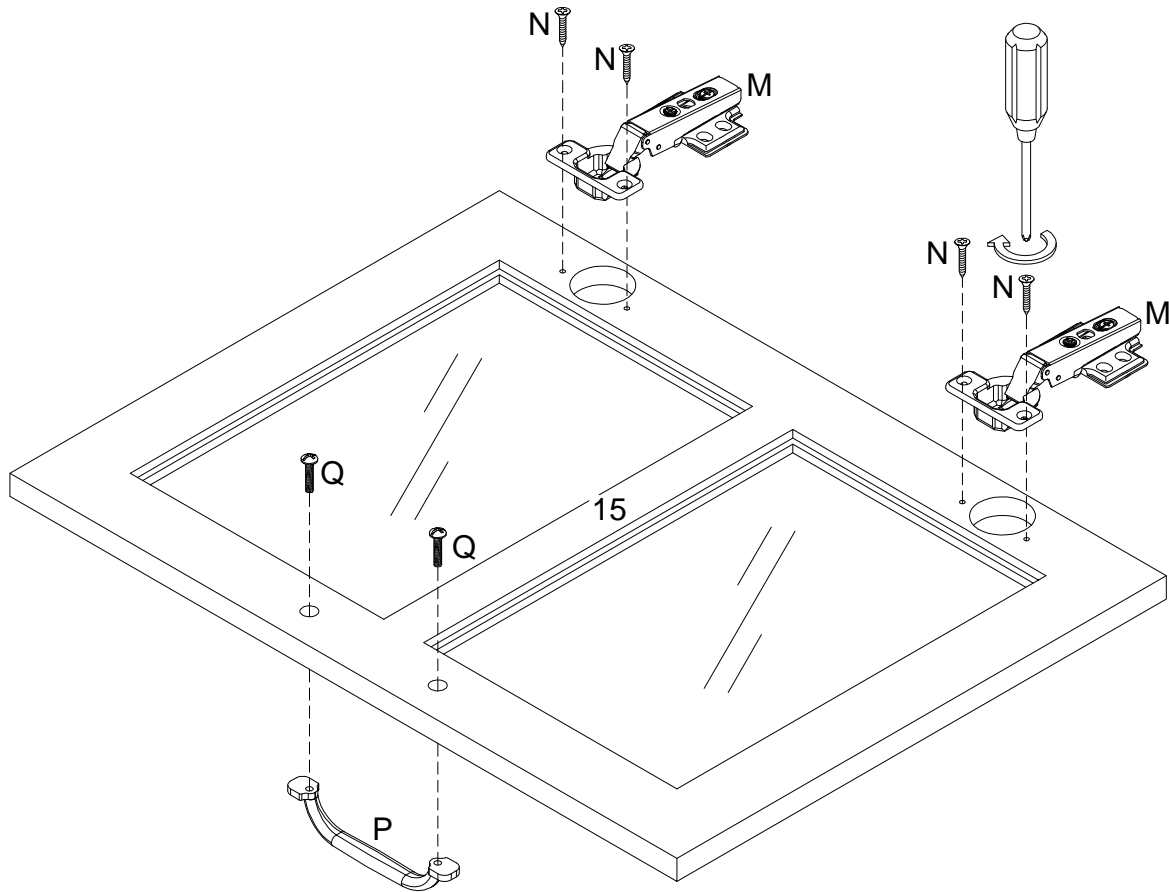
Step 17



Put part (14) into unit as per diagram. Tilt and rest the adjustable shelf(14) onto the shelf support pins .

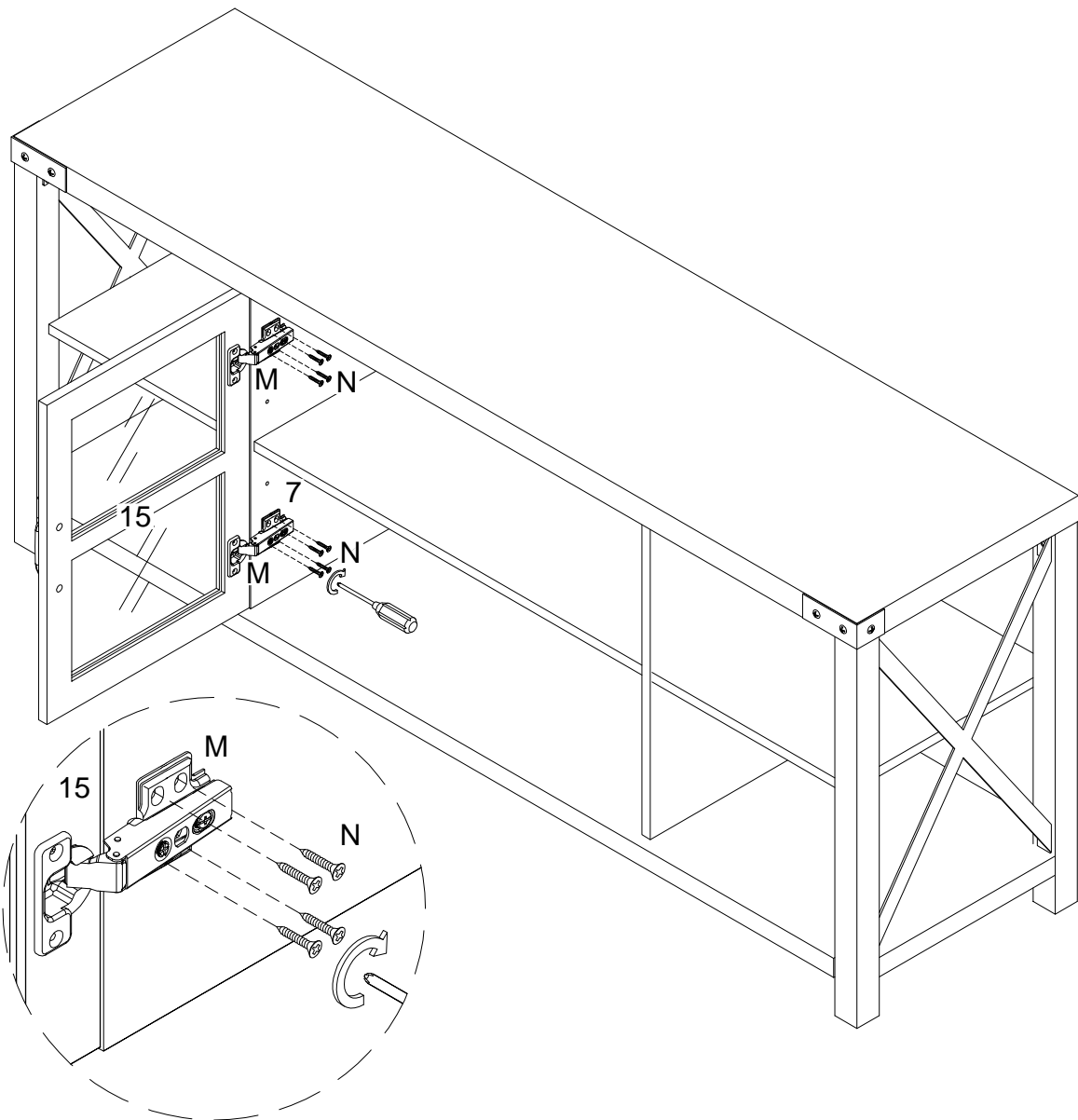
Step 18

X2



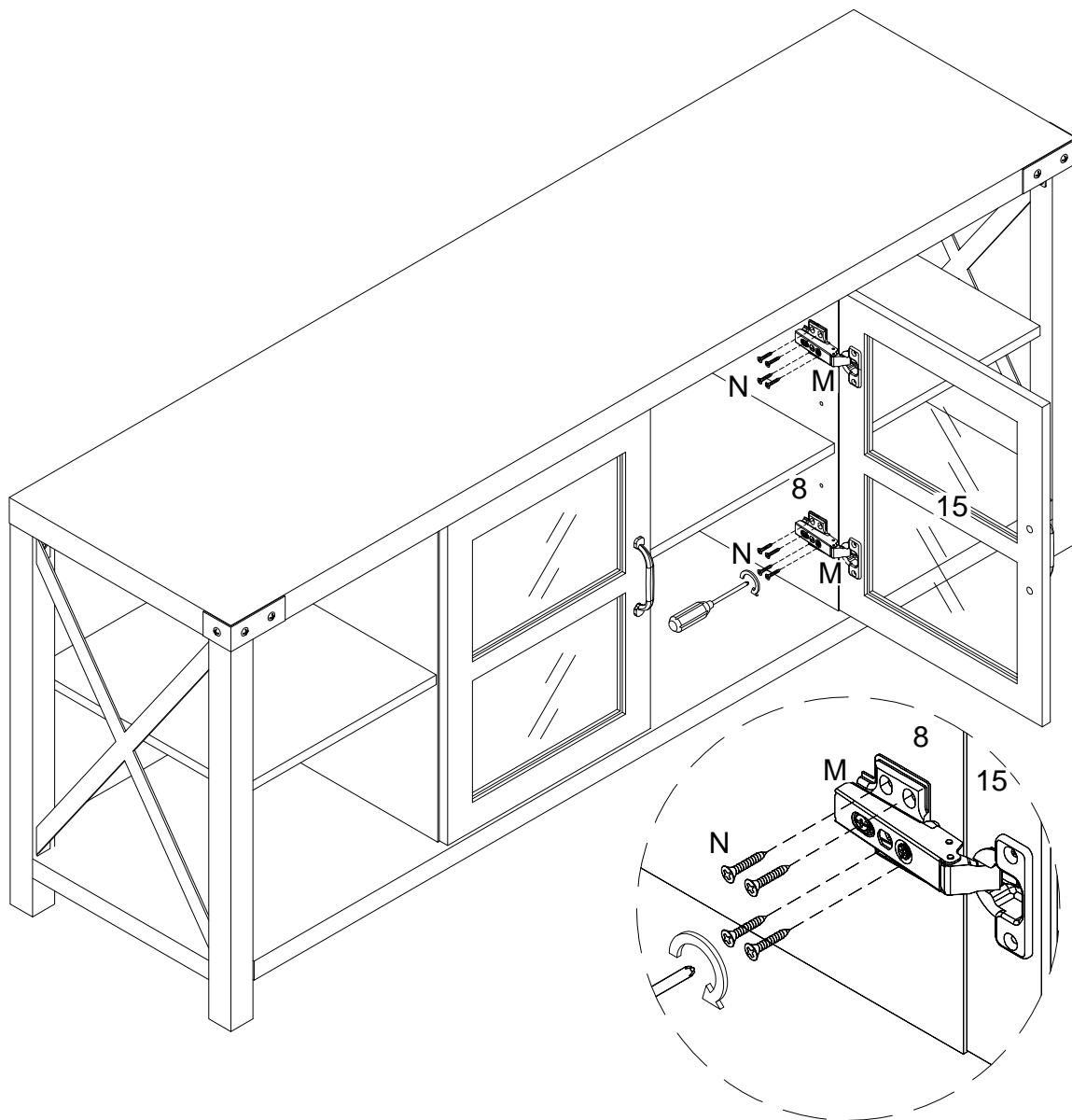
Using bolt (Q) attach knob (P) into part (15) ,then using screw (N) secure Europe hinge (M) to part (15) with Philips head screwdriver.

Step 19



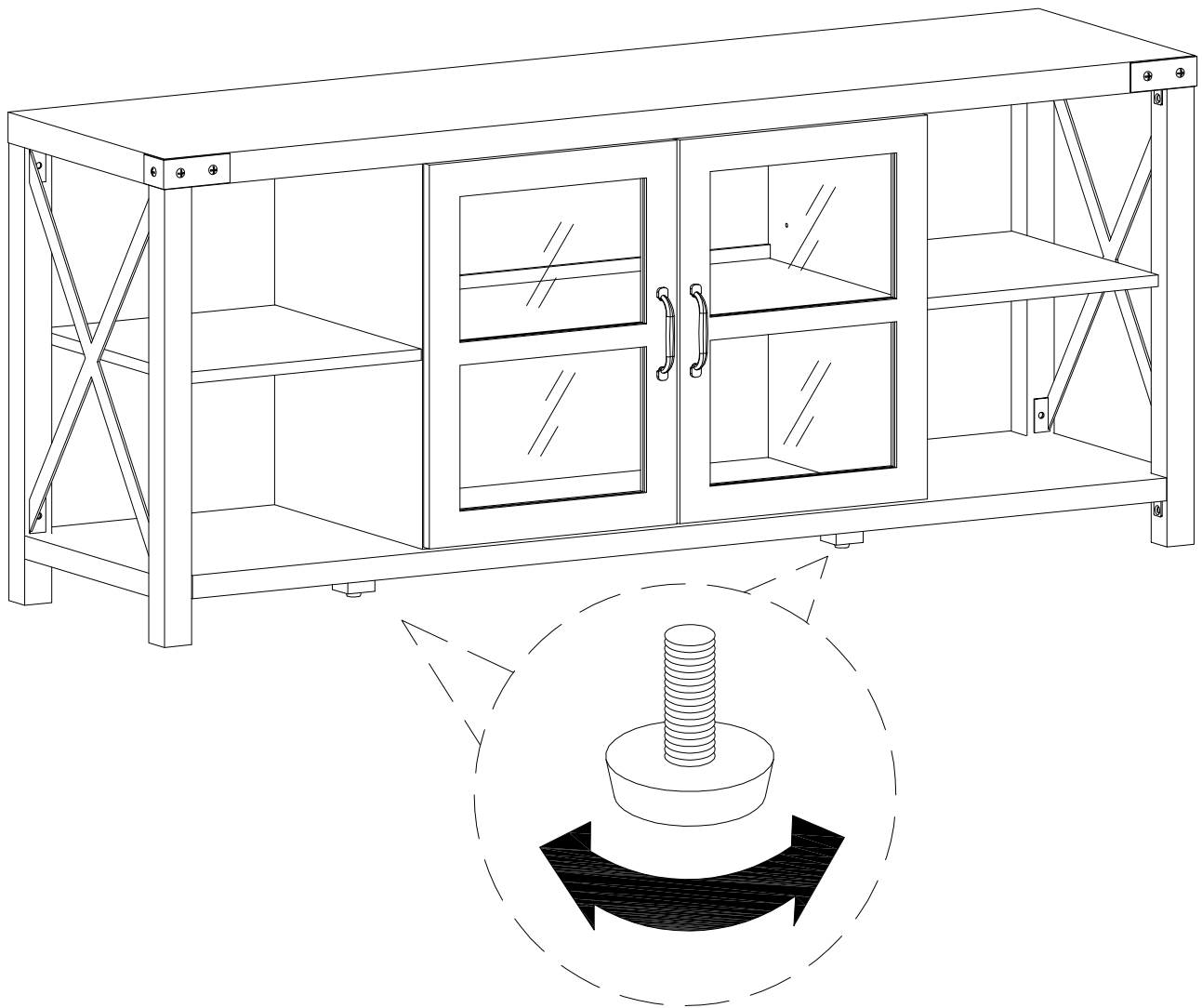
Using screw (N) secure Europe hinge (M) to part (7) with Philips head screwdriver.

Step 20



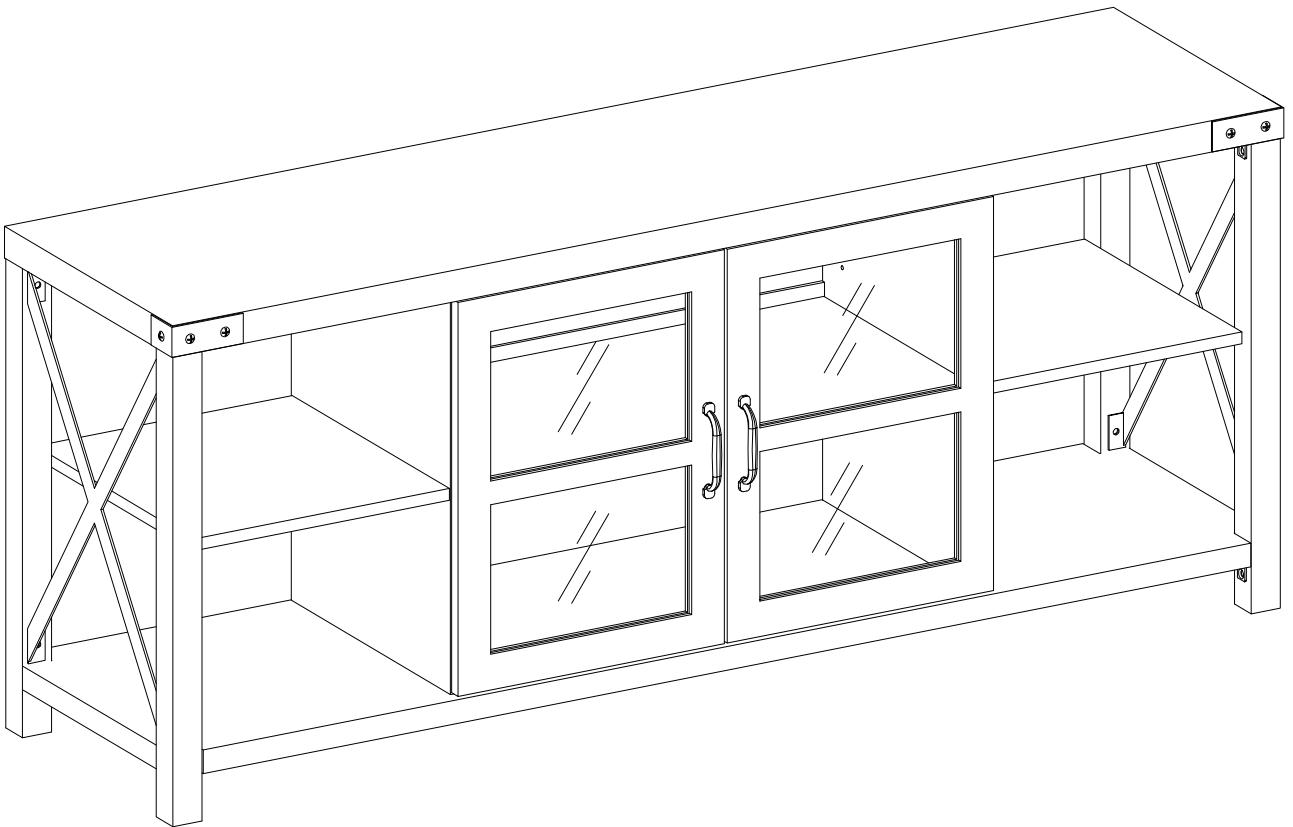
Using screw (N) secure Europe hinge (M) to part (8) with Philips head screwdriver.
Open and close the doors to make sure they are aligned and shut correctly. If necessary, adjust the screws for a good fit

Step 21



Position the assembled unit at the desired location . If necessary adjust the floor levelers at the bottom of support legs to level the unit .

Step 22



Final Assembly