

## ASSEMBLING & INSTALLATION INSTRUCTIONS

The drawing shown may not exactly match the product enclosed. However, the installation instructions do apply to this product.

- ◆ **WARNING! SHUT POWER OFF AT FUSE OR CIRCUIT BREAKER.**
- ◆ **ATTENTION! COUPER LE COURANT AU FUSIBLE OU UN DISJONCTEUR.**

### ASSEMBLING THE FIXTURE (Fig.1).

1. Shut off the power at the circuit breaker and remove old fixture from ceiling, including the old crossbar.
2. Carefully unpack the new fixture and lay all the parts on a clear surface.
3. Determine the desired hanging height and thread rods (G & H & I) to the fixture body (J).
4. Feed fixture wires through center tube (G & H & I). Connecting center part (G & H & I) to the fixture body (J) and turn clockwise until firmly tightened. Slip collar (F) over the tube, then do the same with the canopy (D).
5. Connecting swivel (E) to the tube (G) and turn clockwise until firmly tightened, connecting nipple (B) to the swivel (E) and turn clockwise until firmly tightened.
6. Attach the crossbar (A) to the junction box using screws (C). The side of the crossbar marked "GND" must face out.  
**The junction box is not included.**
7. Install the light bulb (Not included) in accordance with the fixture specifications. **NOTE: DO NOT EXCEED THE SPECIFIED WATTAGE!**

### CONNECTING THE WIRES (Fig.2)

1. Take the black wire from the ceiling junction box and the smooth wire leg from the fixture and twist bare ends together. Twist wire connector onto end of wire until snug.
2. Repeat same process with white junction box wire and ribbed wire leg of fixture wire. **NOTE:** Twist wires together in the same direction you twist the wire connector onto wires.
3. If your junction box has a grounding wire (green or bare copper), attach this wire and the bare copper wire from the fixture together as **step 1**. If junction box has no ground wire, attach the bare copper fixture wire to the green ground screw on the mounting plate.
4. Tuck these wire connections neatly into the ceiling junction box and then raise the canopy (D) all the way to the ceiling; then raise the collar (F) and thread into ceiling loop protruding through canopy.

**Your installation is now complete. Return power to the junction box and test the fixture.**

FIG.1

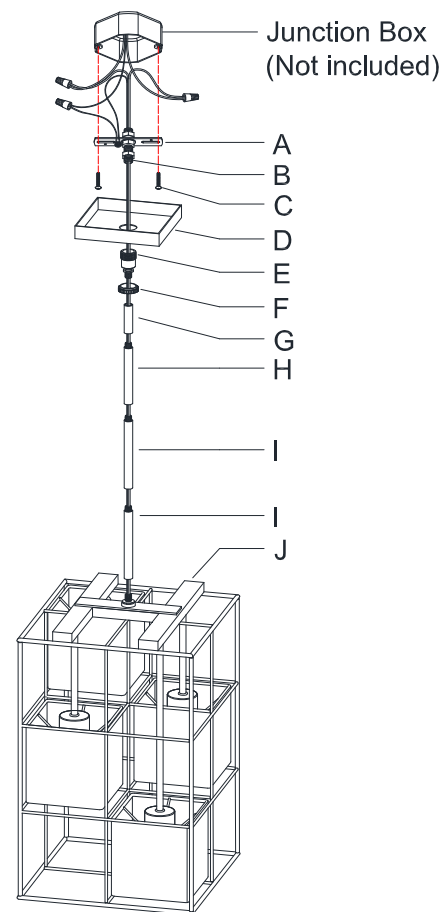


FIG.2

