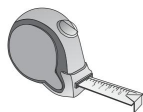


Pre-Assembly

To ensure your installation goes smoothly, please read the following instructions carefully before your installation.

1. Removing your old vanity (if applicable). Turn off the electricity and water supply before you start. Then disconnect all lines to the sink and disconnect appliances.
2. Evening out walls and floor Flat, level surfaces are important. Unevenness can cause your vanity to become misaligned resulting in twisting of the cabinet. Repair any uneven areas by reducing high spots or shimming low spots.
3. Check all parts and review all tools (not included) make sure you have all prepared before your installation.

REQUIRED TOOLS NOT IN BOX(it may needed)



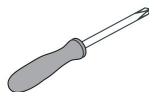
Tape measure



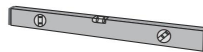
Pencil



Electric Drill



Phillips Screwdriver



Spirit Level

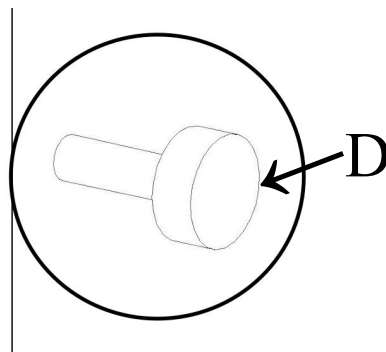
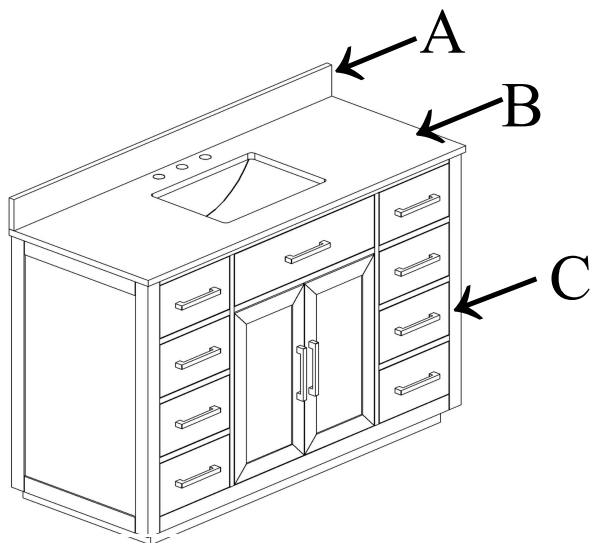


Silicone sealant



Scissor

PACKAGE CONTENTS

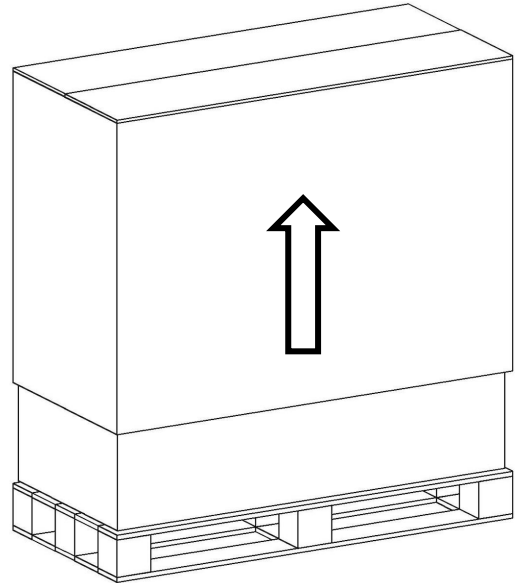
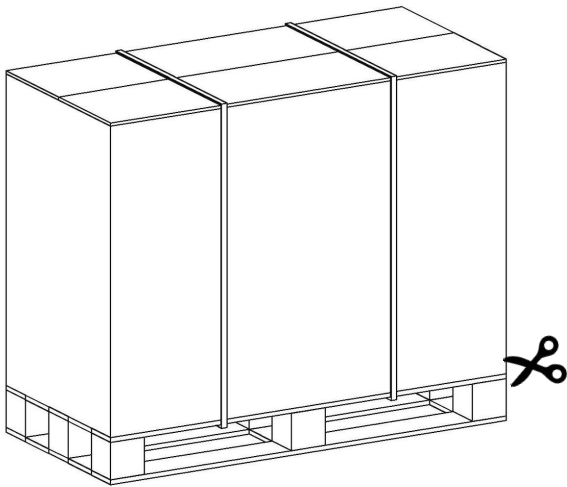


Part	Description	Quantity
A	Backsplash	1
B	Counter-top	1
C	Vanity Base	1
D	Leg Levelers	4

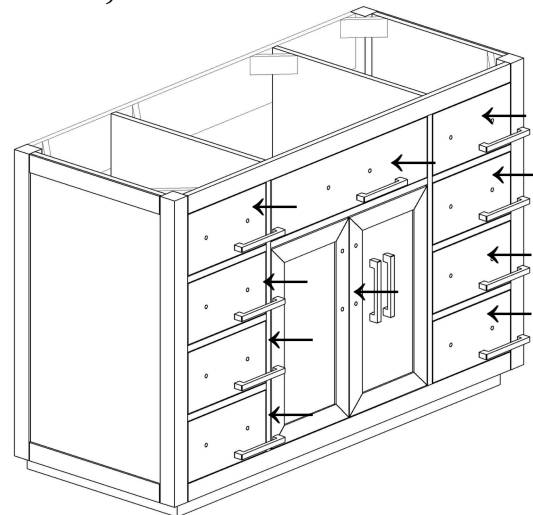
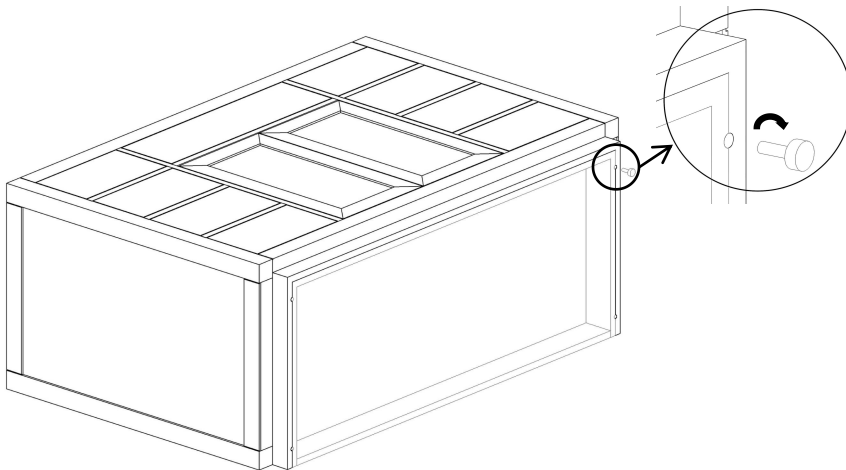
Installation Guide

Step 1: Open the box, use the scissor/other tools cut the bottom of the box, and the packing belt, and remove the outside box, and inner package

Before you start next step, remove the top+sink from cabinet put it aside wait for installation



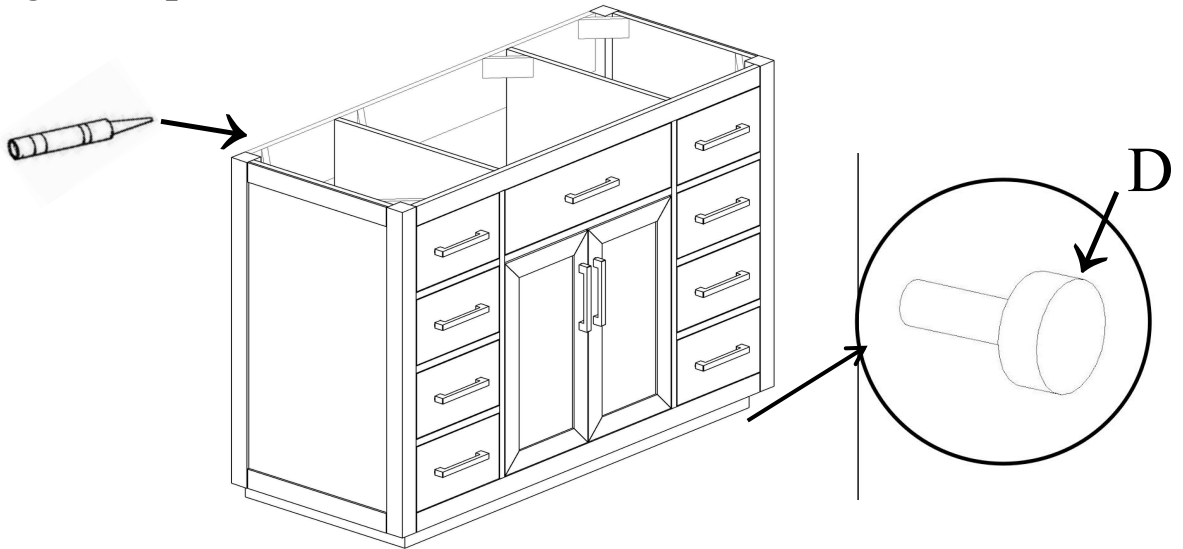
Step 2: Find the leg levelers D_x4pcs in a red bag, flat the cabinet, install the leg levelers, and stand the cabinet, install the handles



Installation Guide

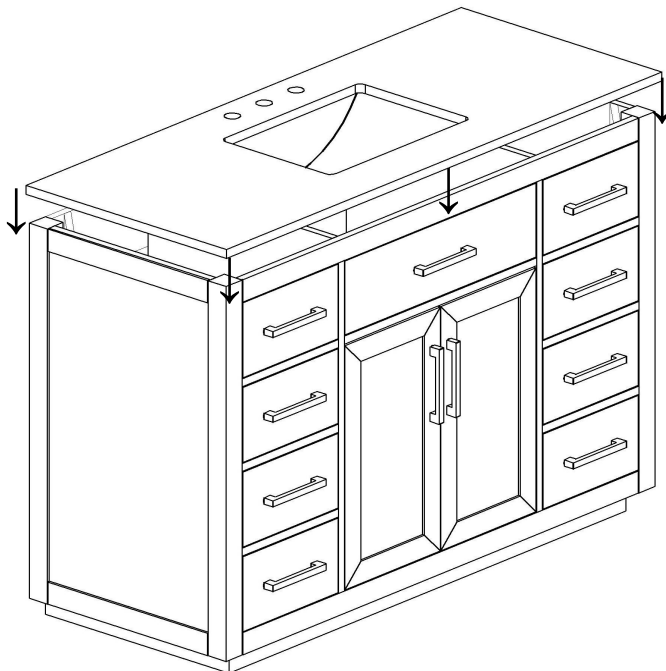
Step 3: Place the cabinet on the right position, lever the cabinet with the leg levers

Apply bead of quality and clear or white silicone sealant evenly along the top of the cabinet



Step 4: Place the counter-top onto the cabinet

SUGGESTION: Pls install te faucet on the counter-top before you install the counter-top onto the cabinet.

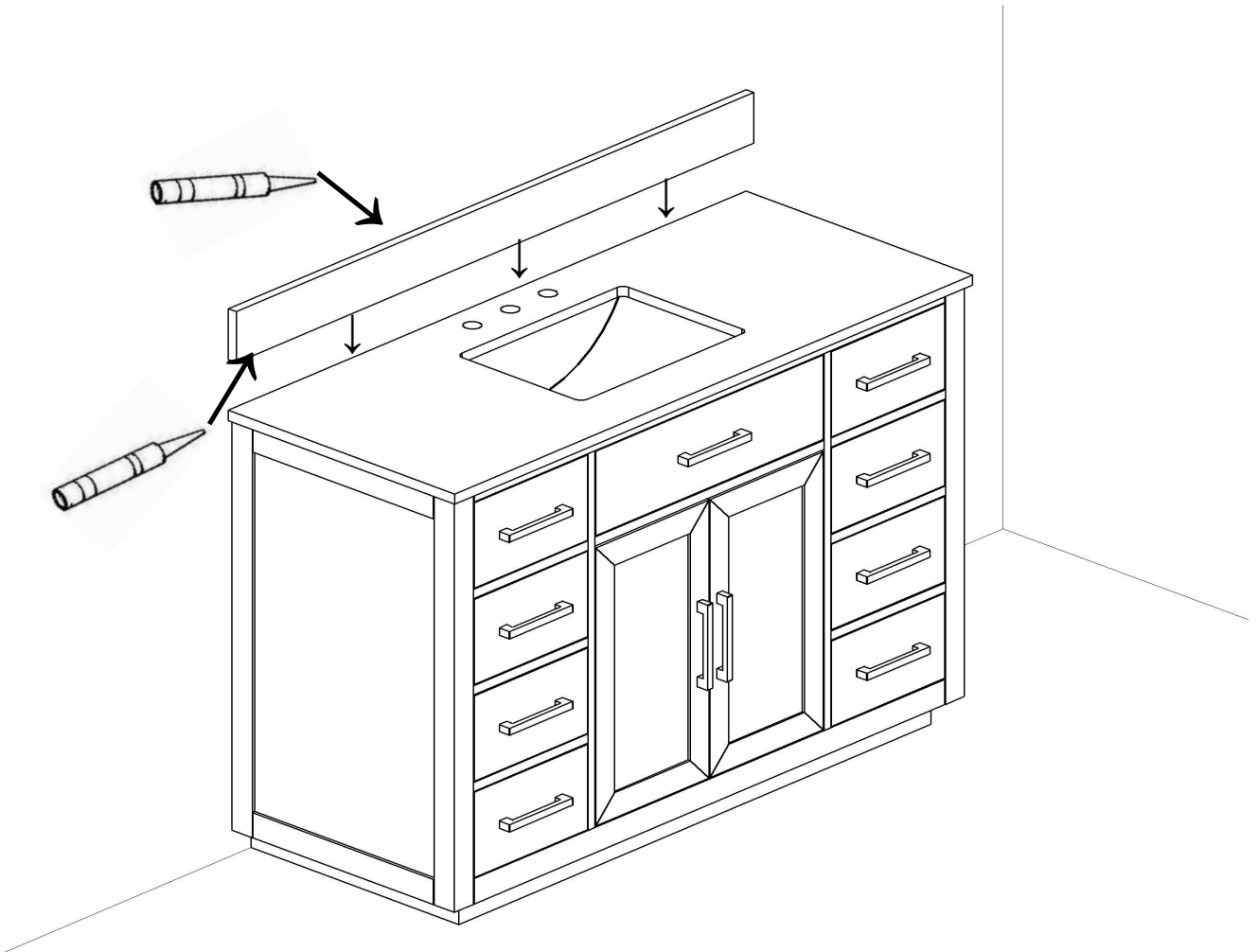


Installation Guide

Step 4: Apply silicone sealant even along the bottom and back of the backsplash

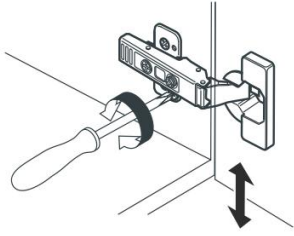
Finally, place the bottom side of backsplash with sealant onto the counter-top and check the alignment of backsplash

Adjust the leg levers as needed

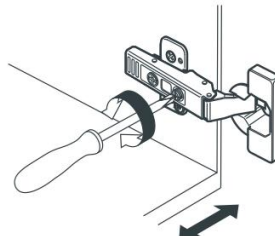


Installation & Adjustment of Hinges & Sliders

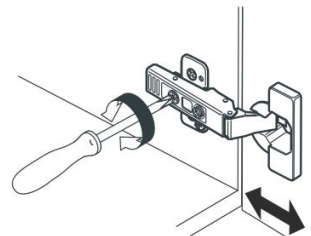
HOW TO ADJUST HINGES (if required)



adjust height



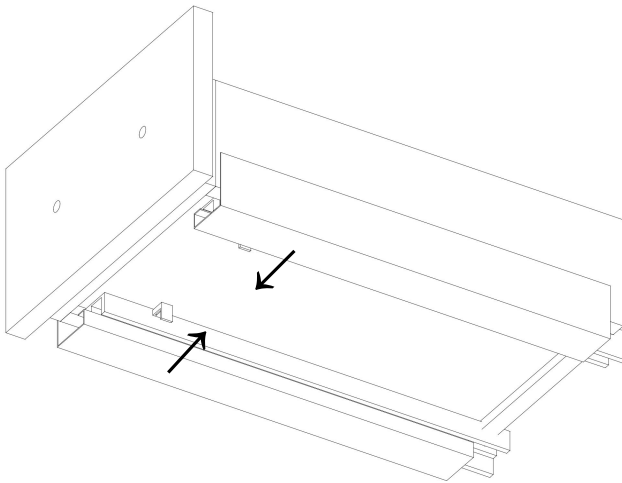
adjust laterally



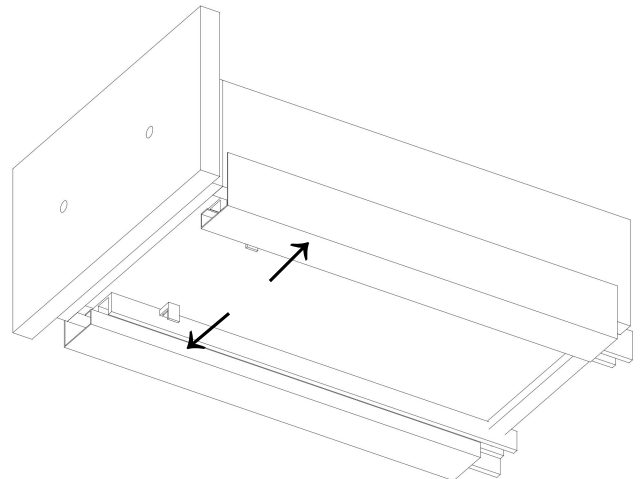
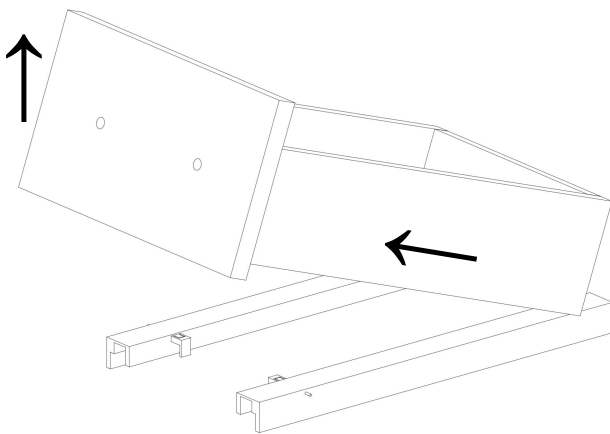
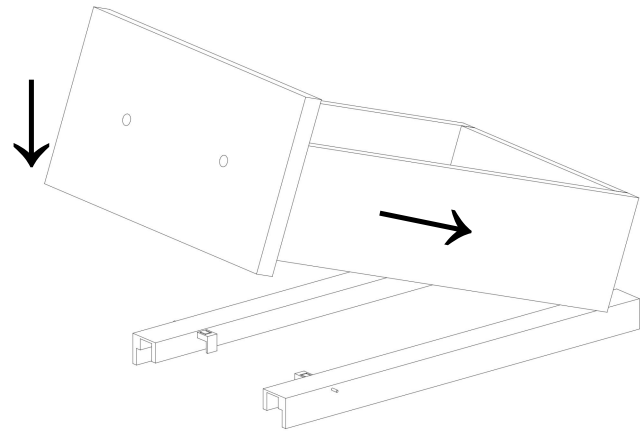
adjust depth

DRAWERS REMOVAL & RE-INSTALLATION (if required)

REMOVAL



RE-INSTALLATION



CARE AND MAINTENANCE

- * Dust the vanity regularly with soft, non-lint producing cloth or household dusting products.
- * You can clean the vanity with a gentle, non-abrasive household cleaner.
- * Make sure to dry the wood immediately with a soft cloth/towel.
- * The ceramic sink can be cleaned using standard ceramic cleaning agents available at your local supplier.
- * Small scratches and some damage happen during the use's period. Use the touch-up painting (in plastic bag), you can fix it by yourself.

IMPORTANT

- * Shade variations and patterns are an inherent characteristic of stone (e.g. granite, marble, engineered stone). Stone tops will vary from product to product. Use caution placing items such as soap or any fragranced material on the stone surface. Use a soap dish, coaster or similar item to protect the surface if placing any soap or fragranced products on the stone.
- * If soap or fragranced products come in contact with stone top, rinse the surface with water and dry using a soft non-abrasive cloth.
- * **WARNING:** Must use cleaning agents safe for stone. Check your cleaning agents use restrictions before using on any stone. Damage to the stone may result. Vanity manufacturer not responsible for damage caused by improper cleaning agent or soap used. Warranty will not cover damage caused by improper soap or cleaning agents.
- * **DO NOT** use products to clean the stone top that contain acetone, lemon, vinegar or other acids as these may cause damage to the stone surface.
- * Periodically reseal the stone top using an appropriate stone sealer available from your local store. Follow the manufacturer's directions on How to apply.