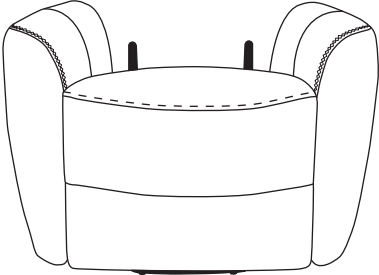
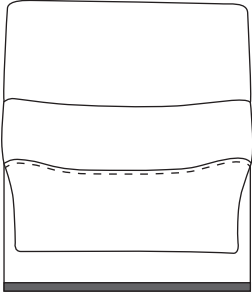


# ASSEMBLY INSTRUCTION

## SWIVEL GLIDER RECLINING CHAIR, TOP GRAIN LEATHER MATCH PVC

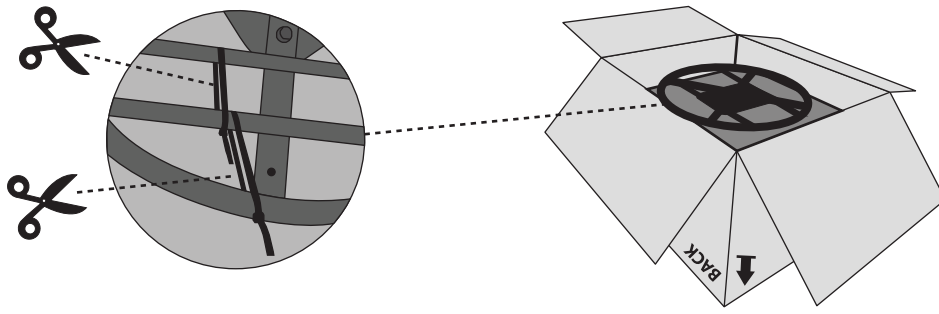
**NOTE: Do not use power tools for assembly. Power tools increase the risk of over tightening which leads to splitting or cracking the wood.**

### COMPONENT LIST

NO.	DRAWING	QTY	DESCRIPTION
<b>A</b>		<b>1 PC</b>	<b>SEAT</b>
<b>B</b>		<b>1 PC</b>	<b>BACK REST</b>

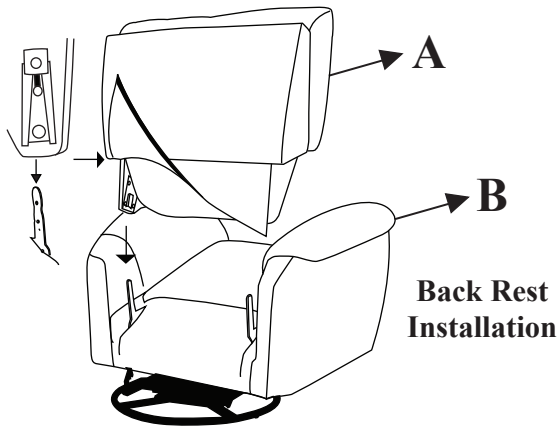
## STEP#1

Turn over the package during unpacking. Cut off the rope that tight to the swivel and mechanism.

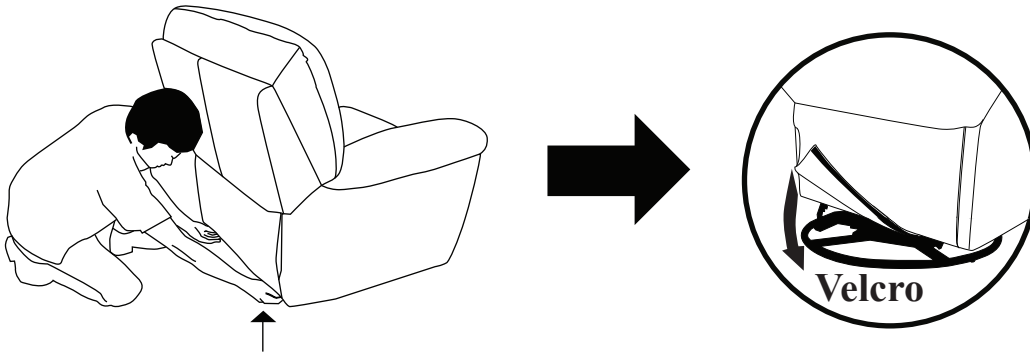


## STEP#2

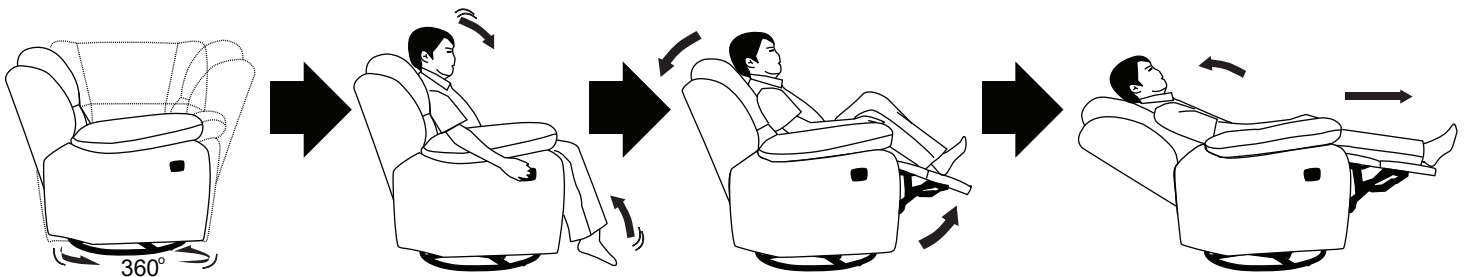
Align the female brackets at the back rest onto the male brackets at the seat, insert back rest to the seat then push to the end and make sure it is fixed in position securely.



## STEP#3



## STEP#4



## CARE INSTRUCTION FOR GENUINE ALL LEATHER / PVC:

In order to maintain the original appearance of your leather furniture, please follow below simple care procedure :

- Avoid exposing furniture directly to sunlight or heating and air conditioning outlets. Exposure to sunlight or heating and air conditioning outlets will fade/damage leather.
- Wipe gently with a damp soft cloth to remove dust, dirt and any grime build up.
- Hardware may loosen over time. Periodically check to make sure all connections are tight. Re-tighten if necessary.