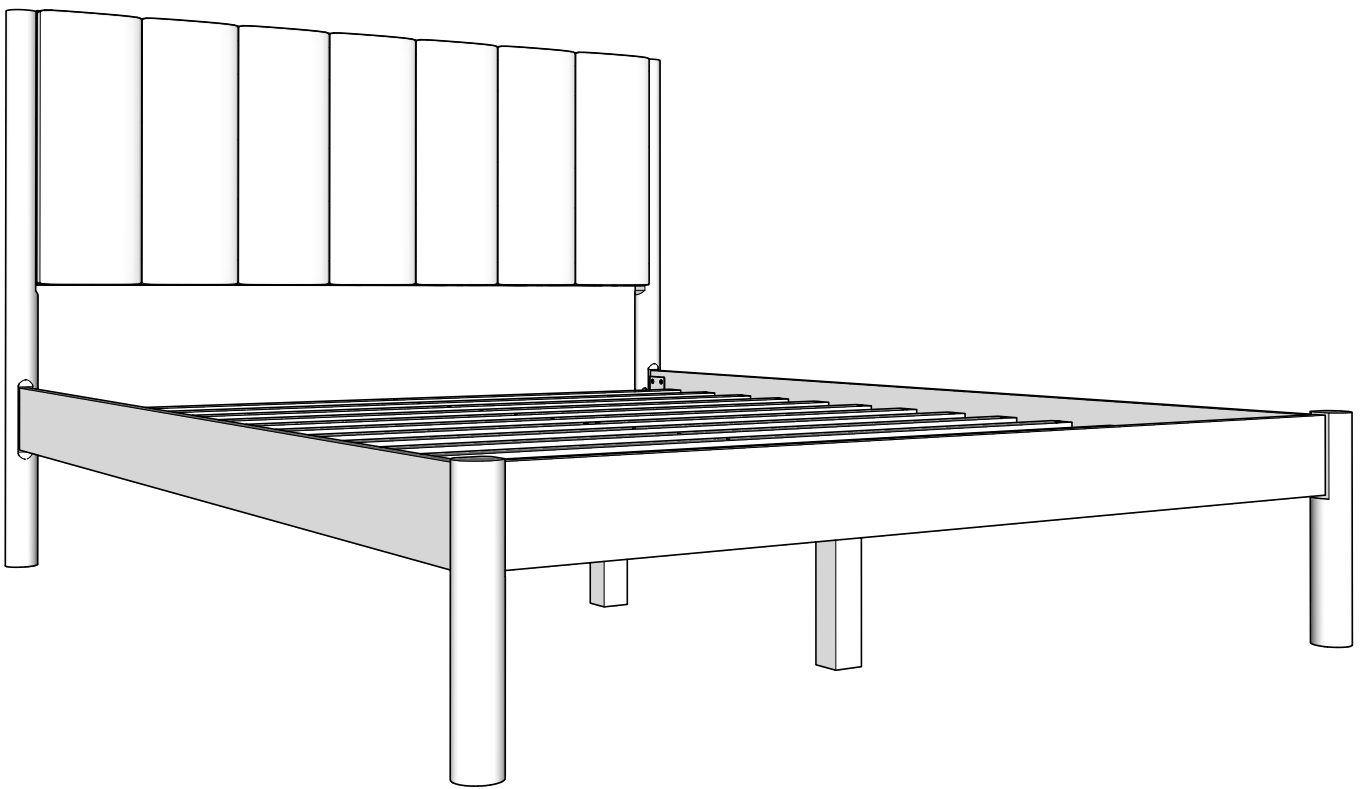


ASSEMBLY INSTRUCTIONS





IMPORTANT INFORMATION

Seller and Manufacturer disclaim all and any liability for property damage, personal injury, or loss, direct, indirect, or incidental, resulting from the incorrect assembly, inadequate maintenance, improper use, or neglect of this product.



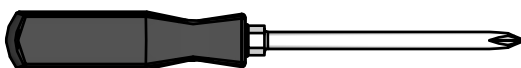
NOTICE

- Keep these assembly instructions for future reference.
- Do not use this product if there are missing, damaged, or broken parts until repairs are made and/or factory replacement parts are installed.
- Check all packing material carefully for small hardware that may have become loose inside the carton during shipment.
- Identify and count all hardware and parts to compare with parts and hardware list.
- Follow assembly instructions closely. Improper assembly can result in personal or property damage.
- Secure all bolts before use.
- Every 90 days check all bolts are secured.
- Some parts may have a sharp corner or edge and maybe heavy.
- Do not use or store this product near open flames or around flammable chemicals.
- When placing contents on non-carpeted flooring, it's recommended to use floor protection such as an area rug or furniture pads. These are not included with the purchase.
- Do not drag or push the bed frame. To ensure safe moving, always use two people to lift and re-position the bedframe. Avoid dragging or pushing it across the floor to prevent damage to the legs, slats, and the center support legs.

REPLACEMENT PART OR HARDWARE REQUEST:

Request a replacement by logging into the marketplace account in which the purchase was made and sending a message to the seller. To assist in expediting the request attach applicable images relevant to the request and/or part number and quantity.

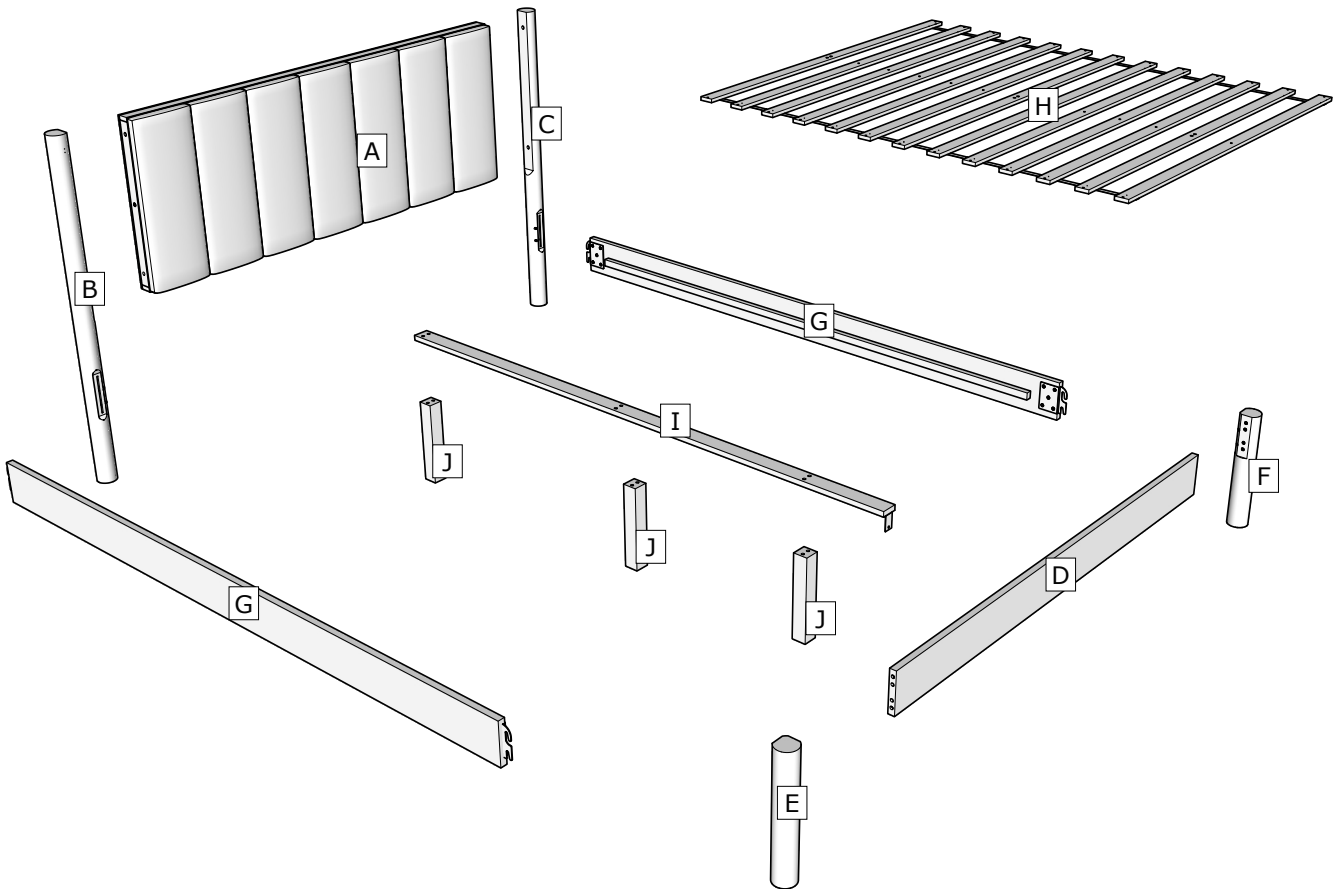
ADDITIONAL TOOL REQUIRED:



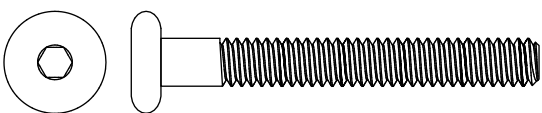
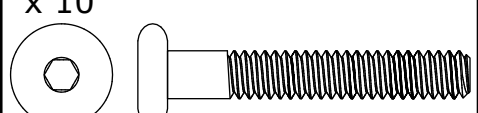
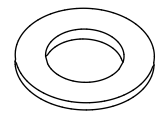
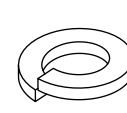
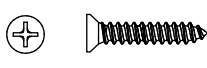
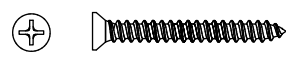
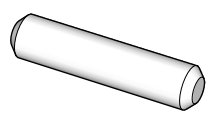
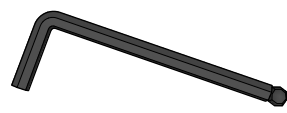
**#2 Philips Screwdriver
(Not Provided)**

BED PARTS

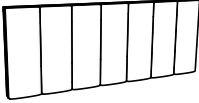


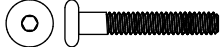
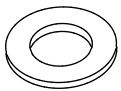
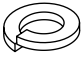

- A..... Headboard..... x 1
- B..... Headboard Leg Left x 1
- C..... Headboard Leg Right..... x 1
- D..... Footboard..... x 1
- E..... Footboard Leg Left..... x 1
- F..... Footboard Leg Right x 1
- G..... Side Rail..... x 2
- H..... Bed Slat x 13
- I Center Rail..... x 1
- J Center Support Leg..... x 3

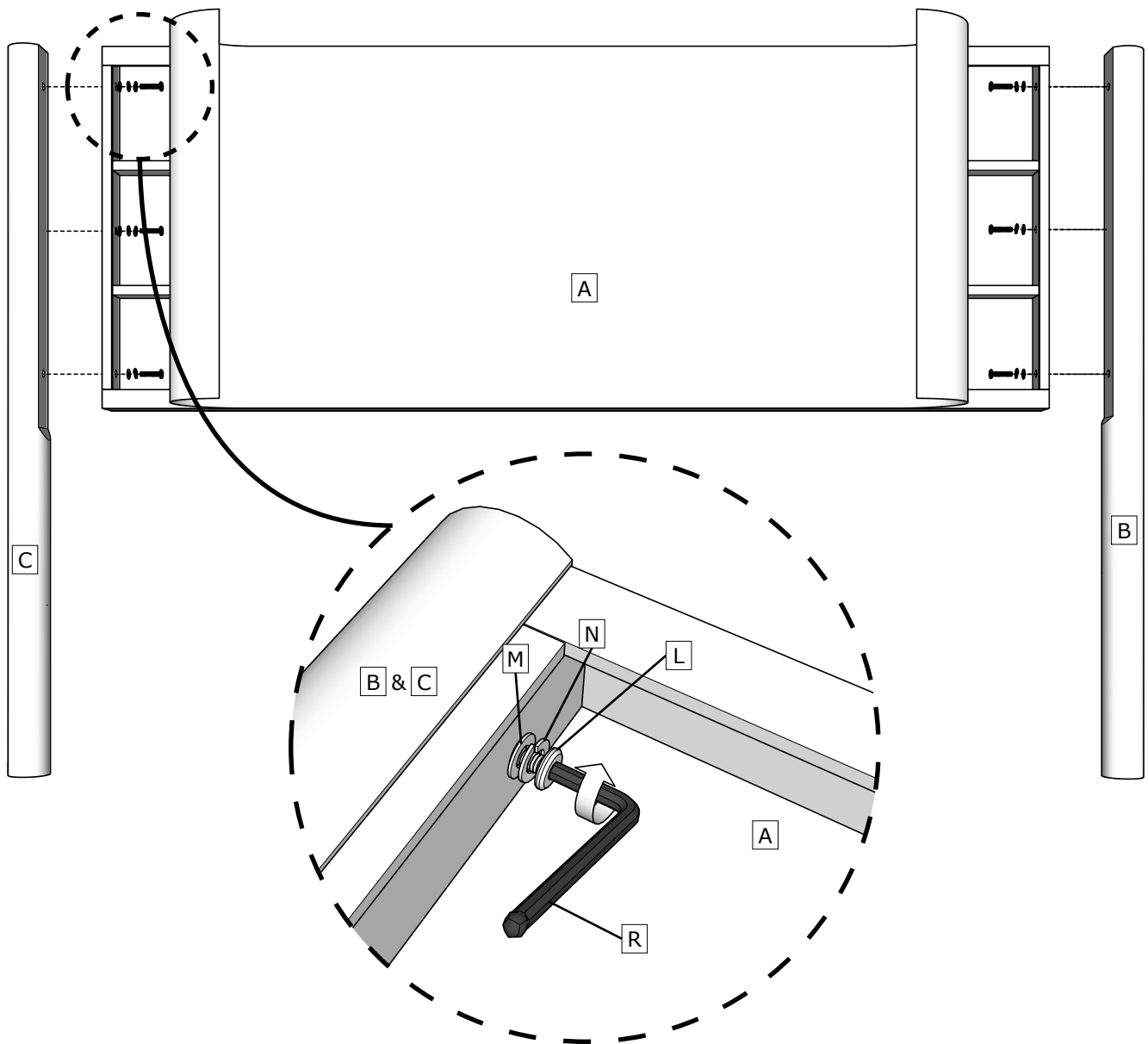


HARDWARE

<p>K Bolt x 6</p>  <p>M6 x 50mm</p>	<p>L Bolt x 10</p>  <p>M6 x 40mm</p>	
<p>M Flat Washer x 6</p>  <p>M6</p>	<p>N Spring Washer x 10</p>  <p>M6</p>	<p>O Screw x 1</p>  <p>M3.5 x 16mm</p>
<p>P Screw x 36</p>  <p>M4 x 25mm</p>	<p>Q Dowel x 4</p>  <p>M8 X 30mm</p>	<p>R Ball End Hex Key Wrench x 1</p>  <p>M4</p>

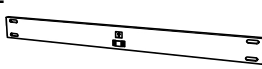


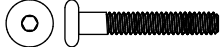
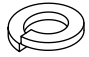


BED ASSEMBLY STEP 1

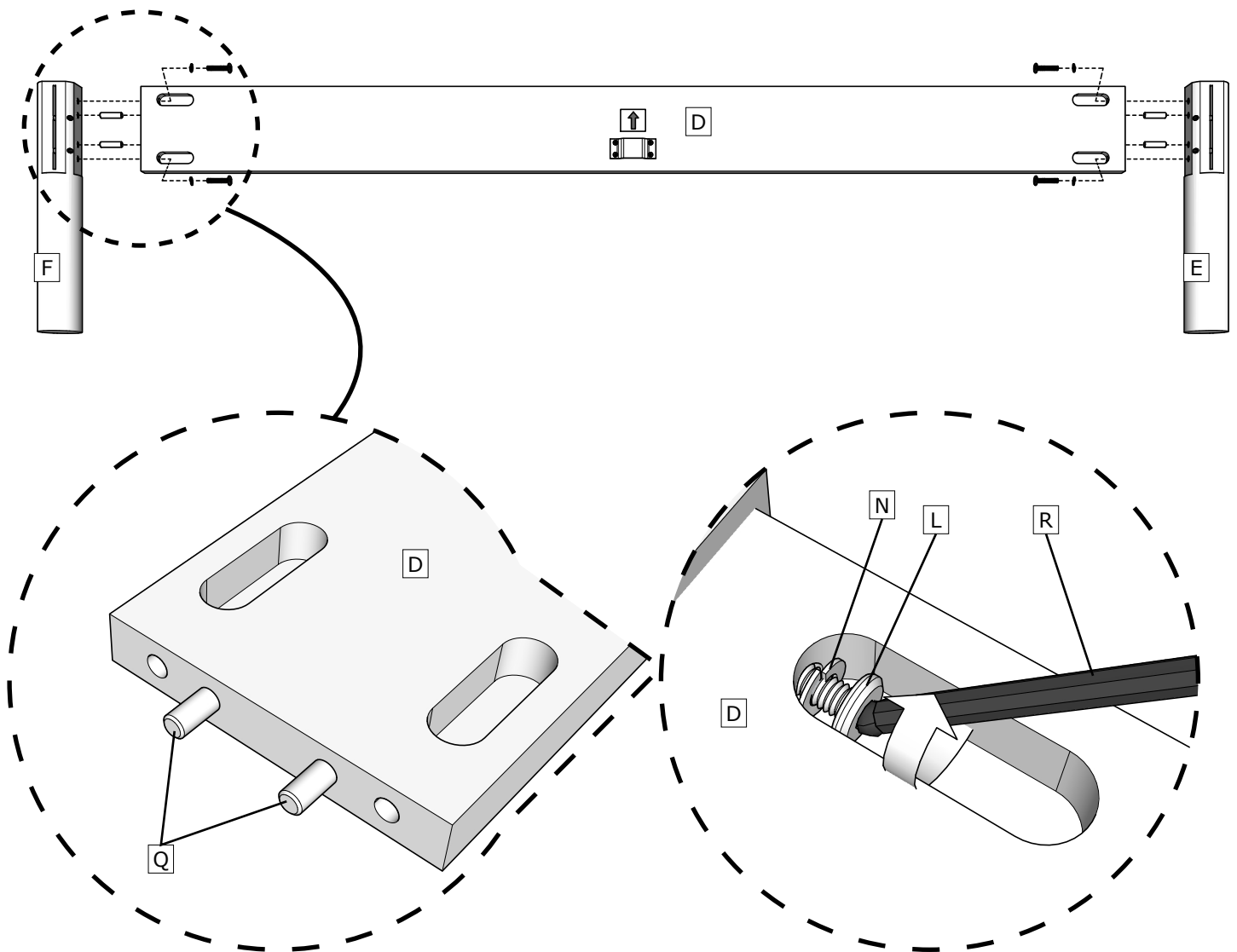
A x1 Headboard 	B x1 Headboard Leg Left 	C x1 Headboard Leg Right 	L x6 Bolt  M6 x 40mm
M x6 Flat Washer  M6	N x6 Spring Washer  M6	R x1 Ball End Hex Key Wrench  M4	



Attach **A** to **B** and **C** with **L**, **M**, and **N** using a Ball End Hex Key Wrench **R** as shown.

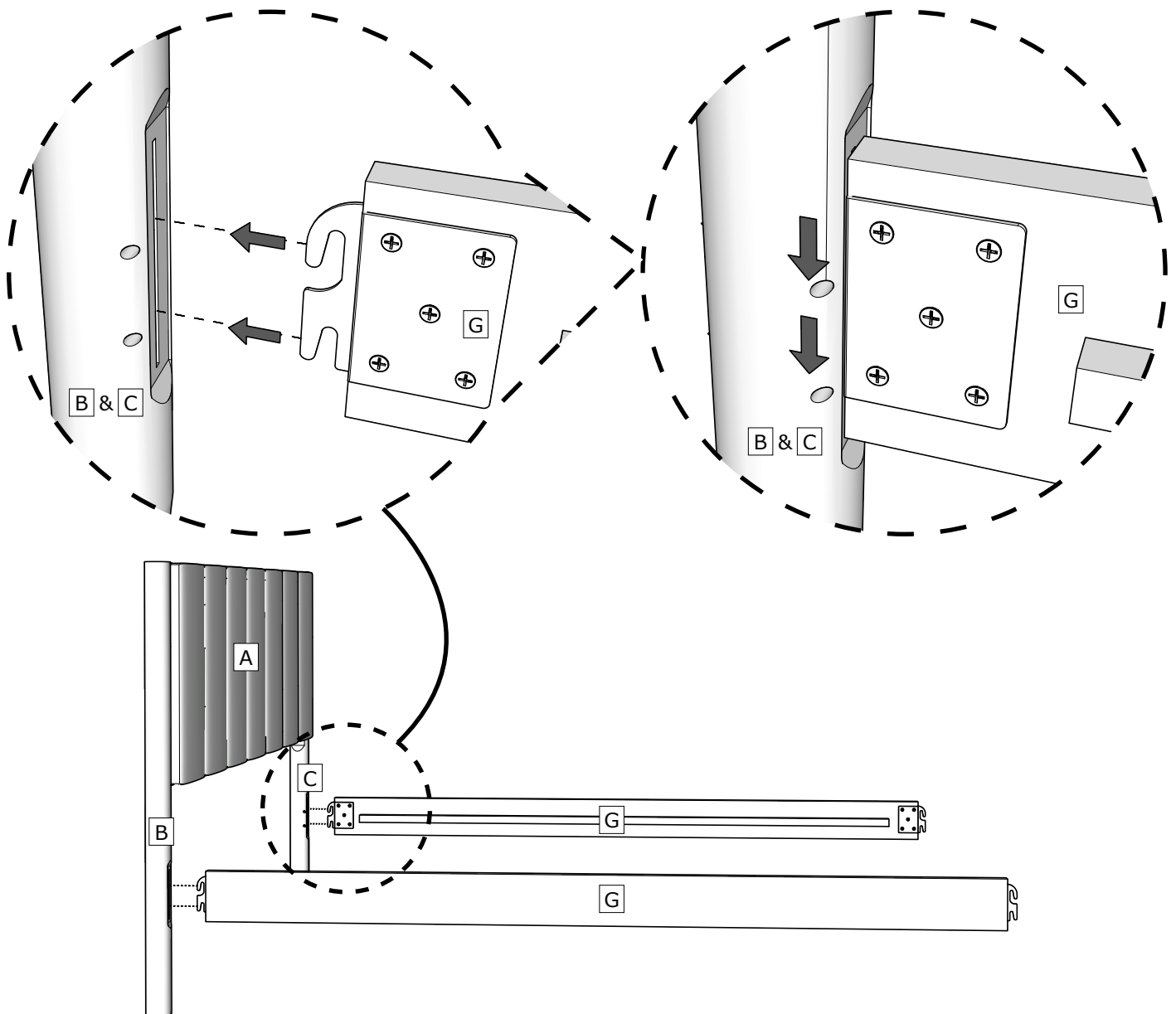
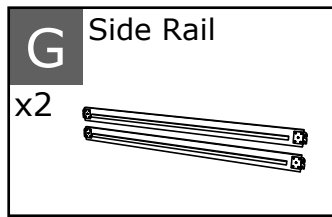
BED ASSEMBLY STEP 2

D Footboard x1 	E Footboard Leg Left x1 	F Footboard Leg Right x1 	L Bolt x4  M6 x 40mm
N Spring Washer x4  M6	Q Dowel x4  M8 x 30mm	R Ball End Hex Key Wrench x1  M4	



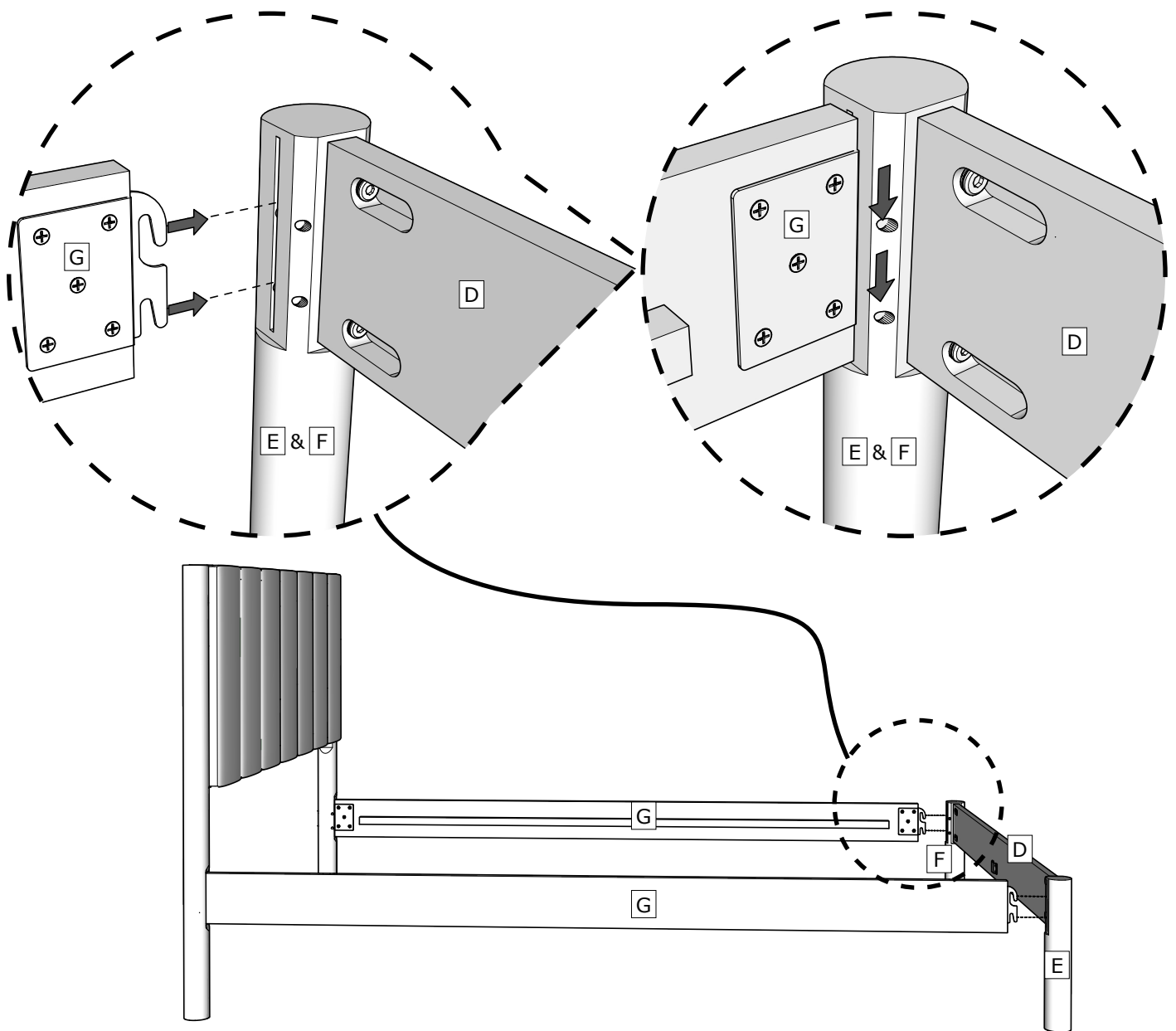
Attach **E** and **F** to **D** with **Q**, **L** and **N** using a Ball End Hex Key Wrench **R** as shown.

BED ASSEMBLY STEP 3





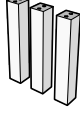
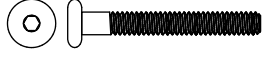

Attach **G** to Assembled Headboard as shown.

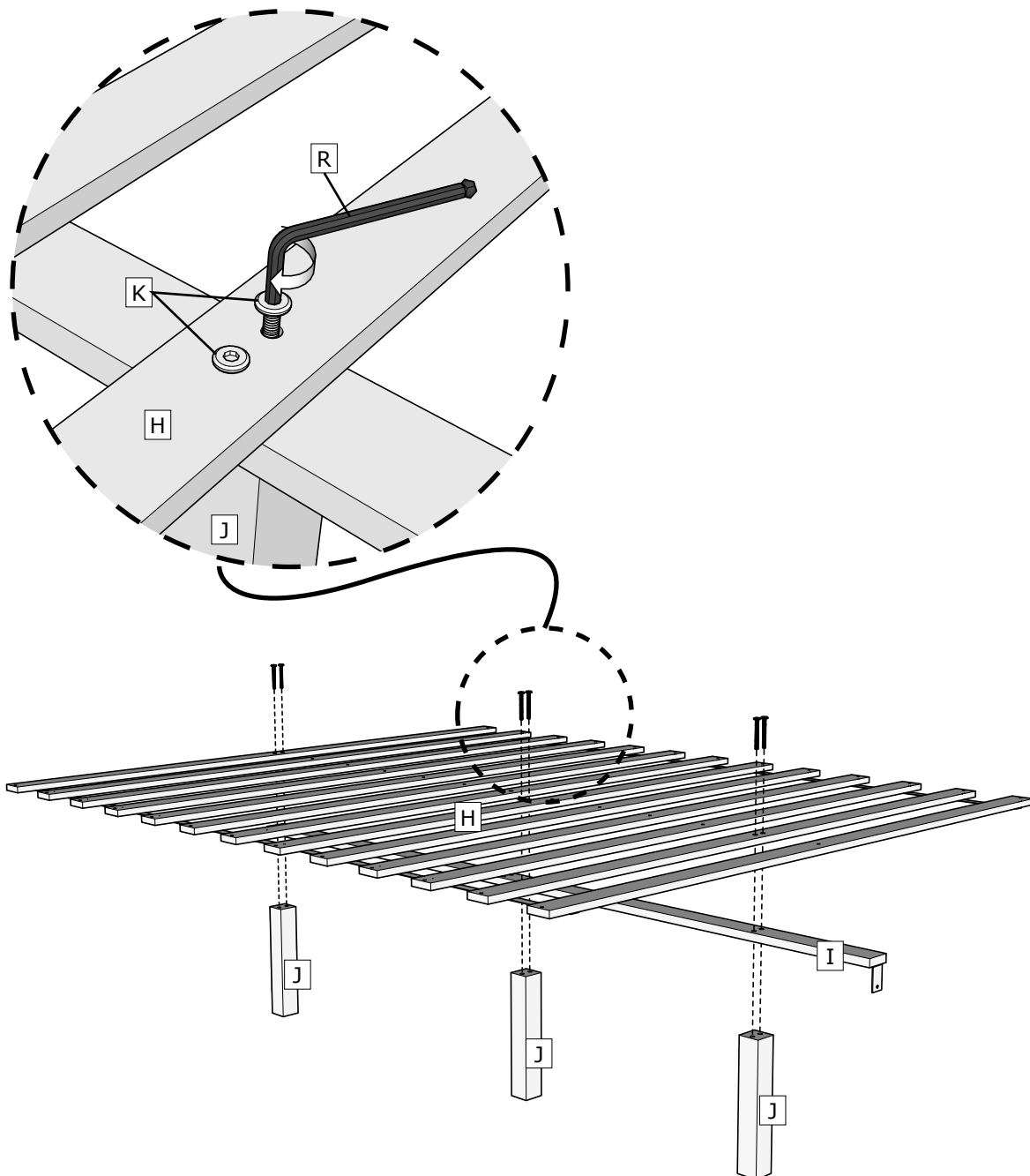
BED ASSEMBLY STEP 4



Attach **G** to Assembled Footboard as shown.




BED ASSEMBLY STEP 5

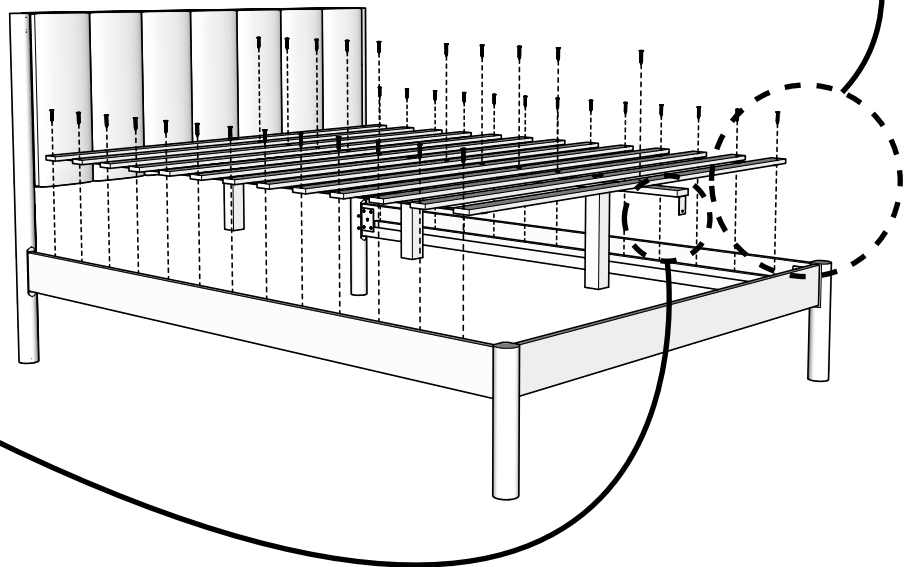
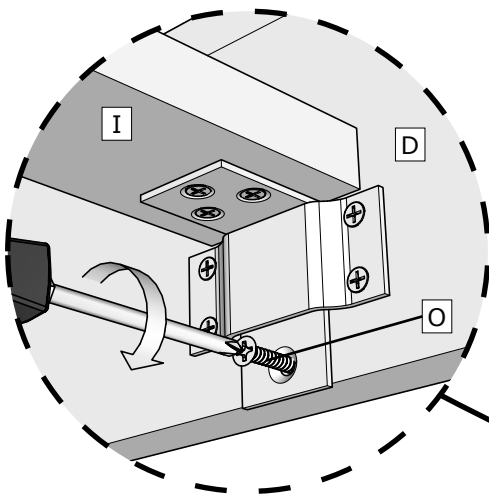
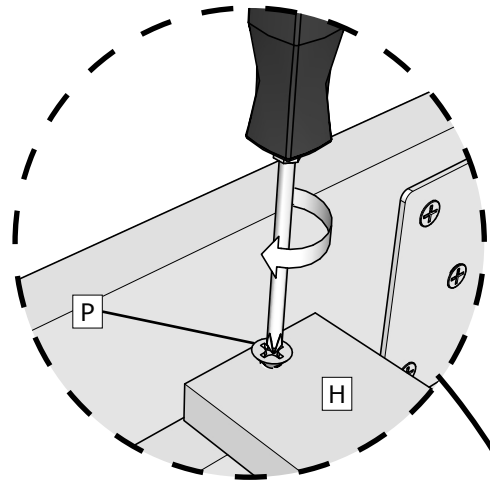
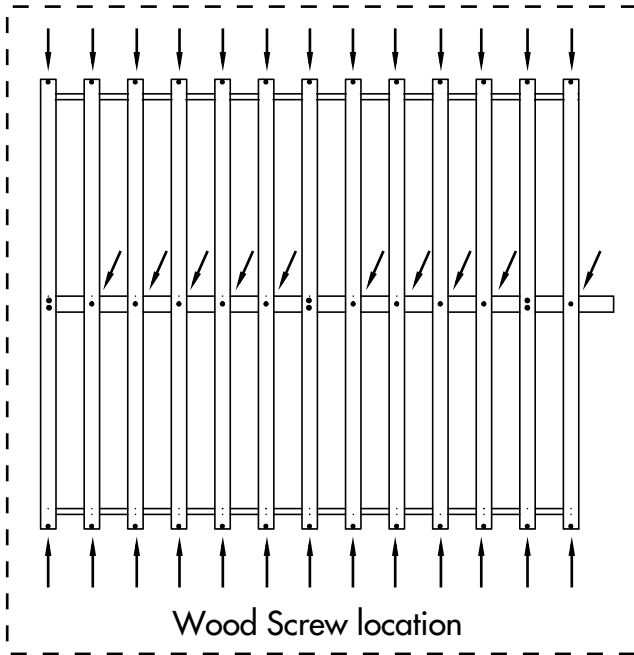
H Bed Slat x13 	I Center Rail x1 	J Center Support Leg x3 	K Bolt x6  M6 x 50mm
R Ball End Hex Key Wrench x1  M4			



Attach **H** and **J** to **I** with **K** using a Ball End Hex Key Wrench **R** as shown.

BED ASSEMBLY STEP 6

O Screw x1  M3.5 x 16mm	P Screw x36  M4 x 25mm	Philips Screwdriver  Not provided
--	---	---



Attach Assembled Bed Slat to Assembled Bed Frame with **O** and **P** using a Screwdriver as shown.

WARNING: Do not drag or push the bed frame. To ensure safe moving, always use two people to lift and re-position the bed frame. Avoid dragging or pushing it across the floor to prevent damage to the legs, slats, and center support legs.