

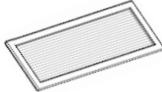
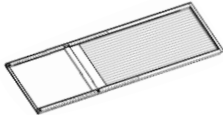

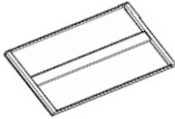


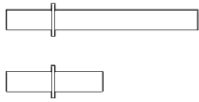




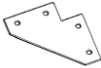




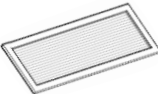



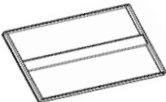
Assembly Instructions

Please read this before you proceed

A		Backplane1	1pc
B		Backplane2	1pc
C		Left Door1	1pc
D		Side panel	2pcs
E		Top	1pc
F		Adjustable shelf1	2pcs
G		Bottom	1pc
H		Foot	2pcs
I		Long pin Short pin	2pcs
J		Washer	4pcs

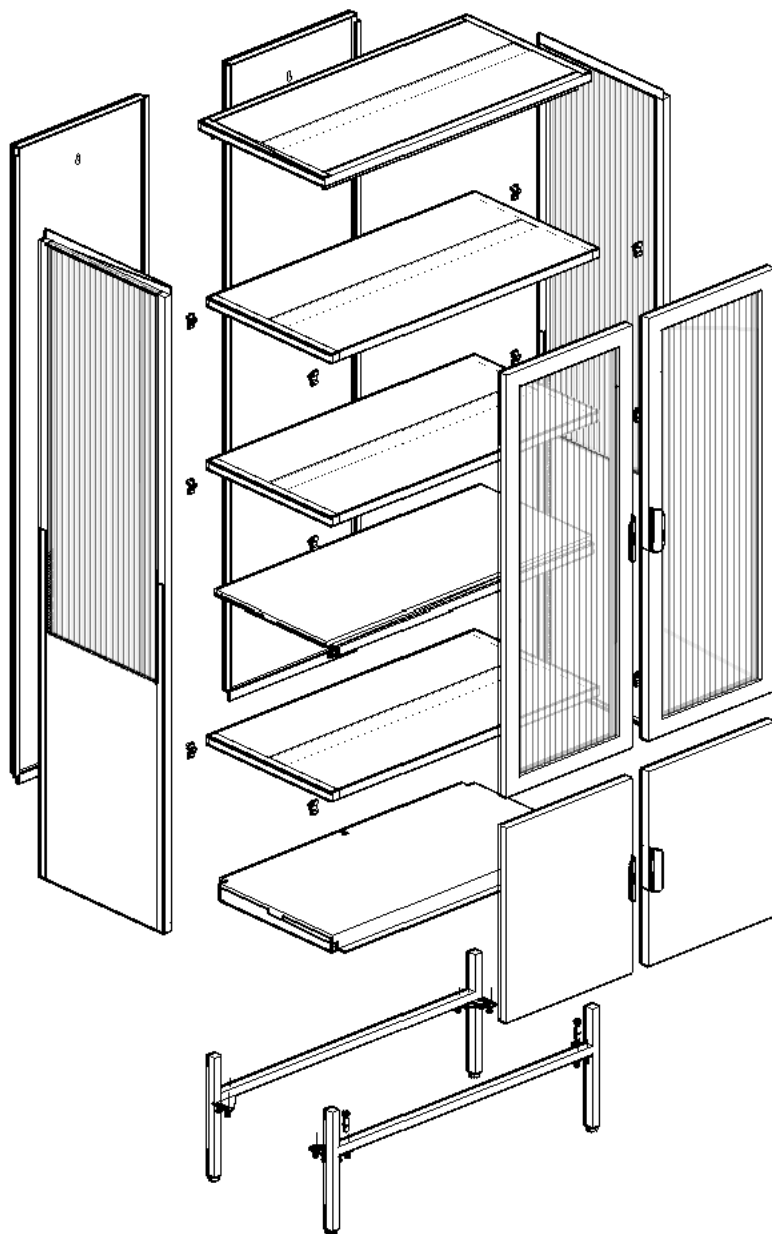
Assembly Instructions

Please read this before you proceed

K		Handle screw	8pcs
L		Foot fixers	4pcs
M		Expansion screw	2pcs
N		Hanging film	12pcs
O		Self-tapping screw	39pcs
P		Handle	4pcs
Q		Right Door1	1pc
R		Middle plane	1pc
S		Left Door2	1pc
T		Right Door2	1pc
U		Adjustable shelf2	1pc

Assembly Instructions

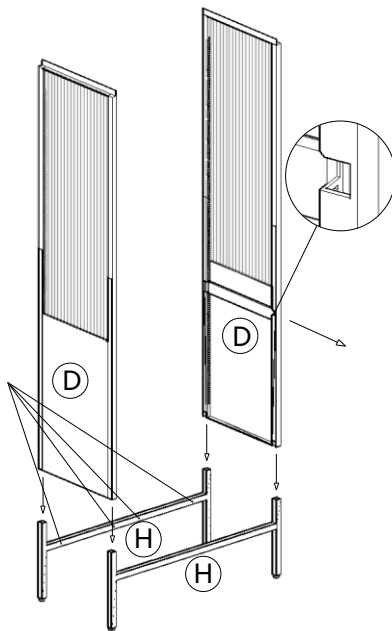
Explosion view



Assembly Instructions

1

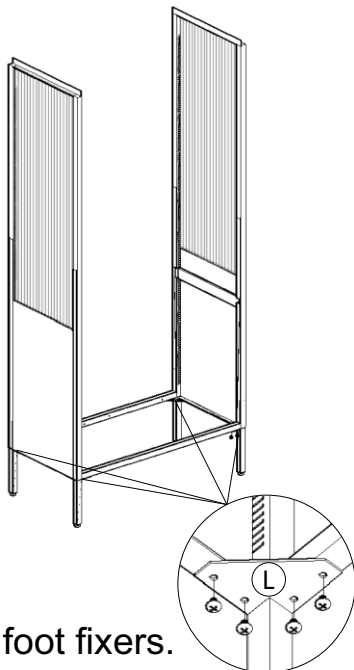
Make sure that the foot screw holes are placed in the inside during installation.



Make sure this opening is forward.

Insert the side panel at the foot.

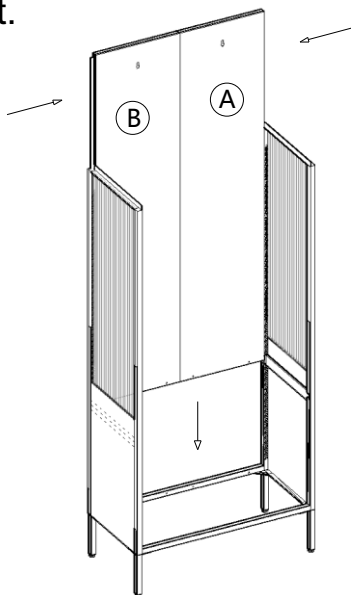
2



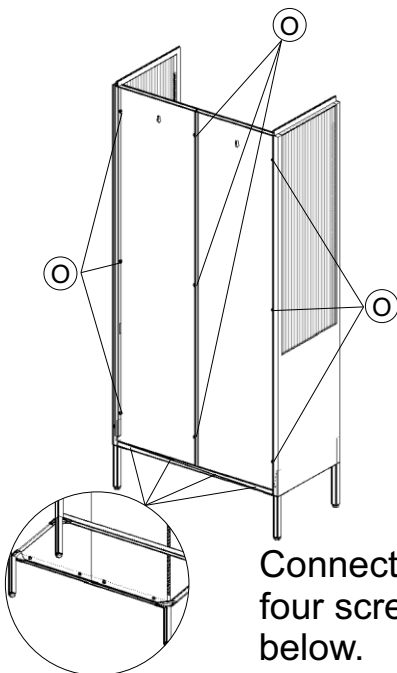
Install four foot fixers.

Assembly Instructions

- 3** After combining backplane 1 and backplane 2, install it into the cabinet.



4

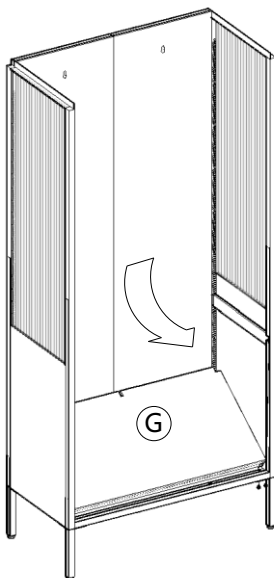


Install the nine screws of the back plane.

Connect the four screws below.

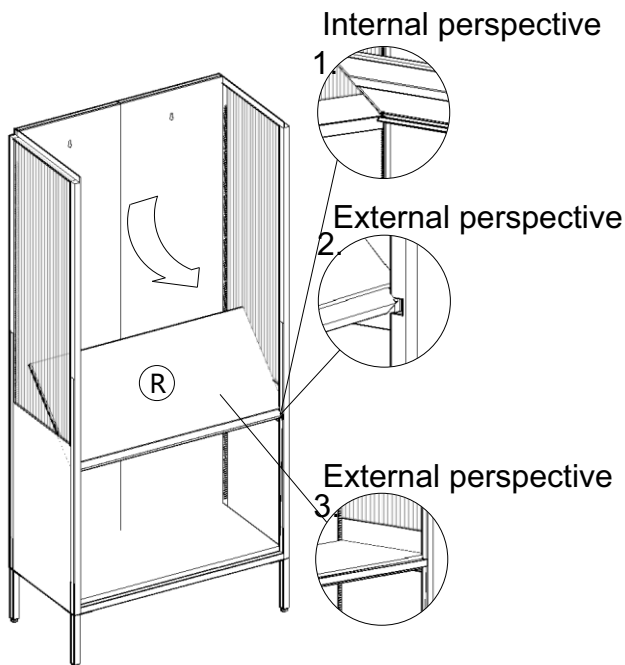
Assembly Instructions

- 5 Install the bottom.



Insert it diagonally and then flatten it.

- 6

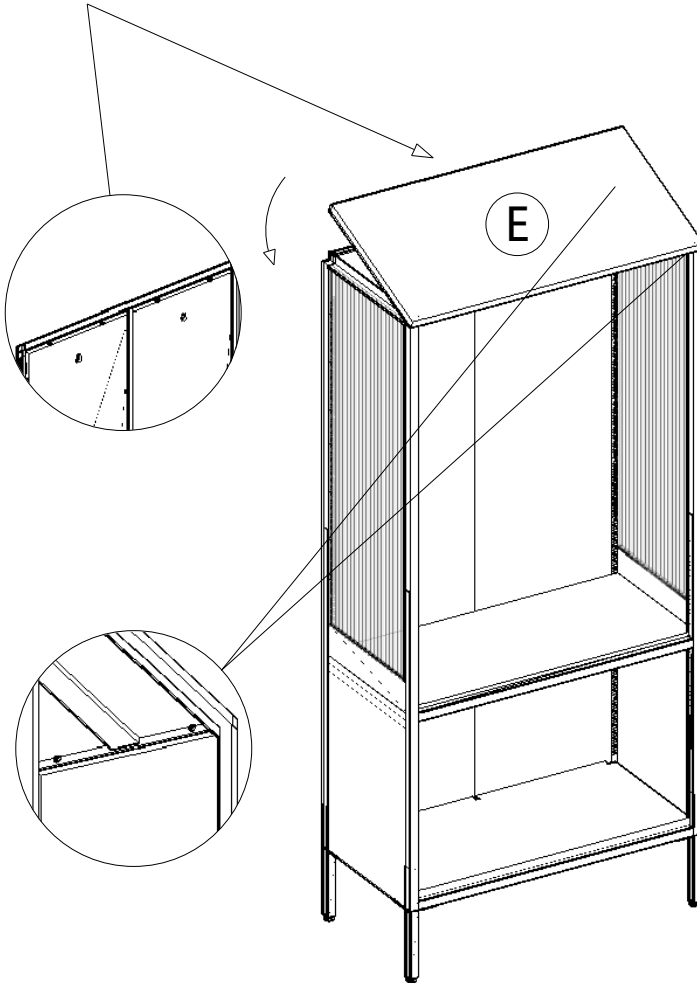


Insert the middle plane into the gap and flatten it.

Assembly Instructions

7

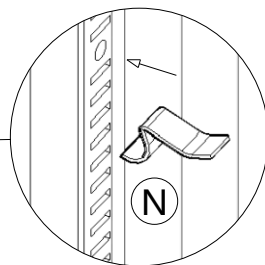
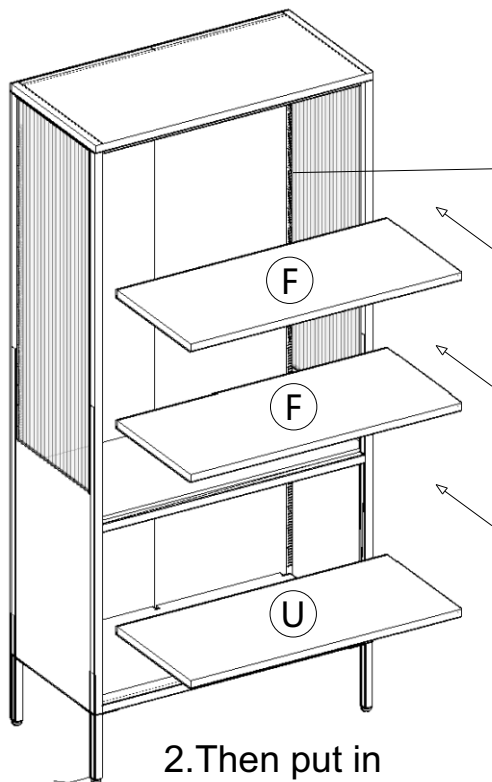
Install the top.



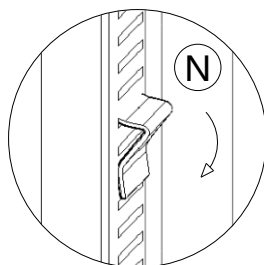
Connect the inner
screw of the top and
the back screw.

Assembly Instructions

8



1. Horizontal
insertion and
vertical
placement.

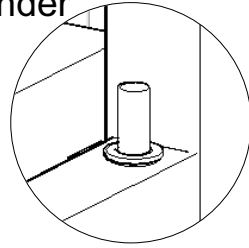
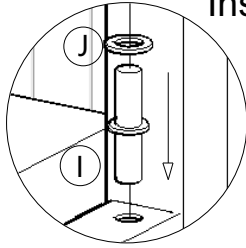


2. Then put in
the adjustable
shelf.

Assembly Instructions

9

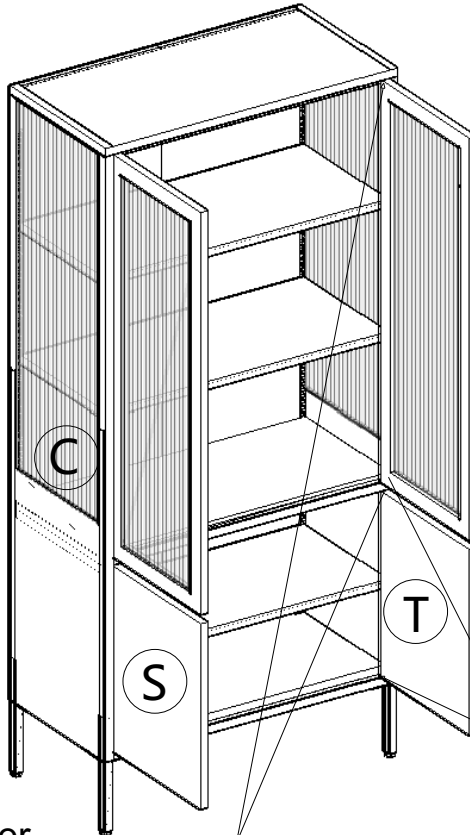
Install the pin under the cabinet



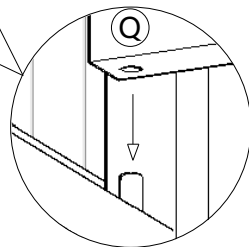
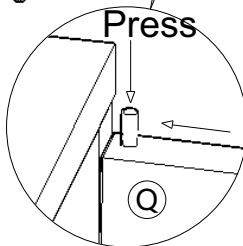
The upper cabinet door uses long pins.

Take the right door1 as an example.

Q



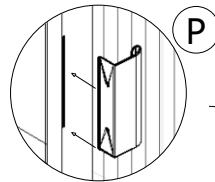
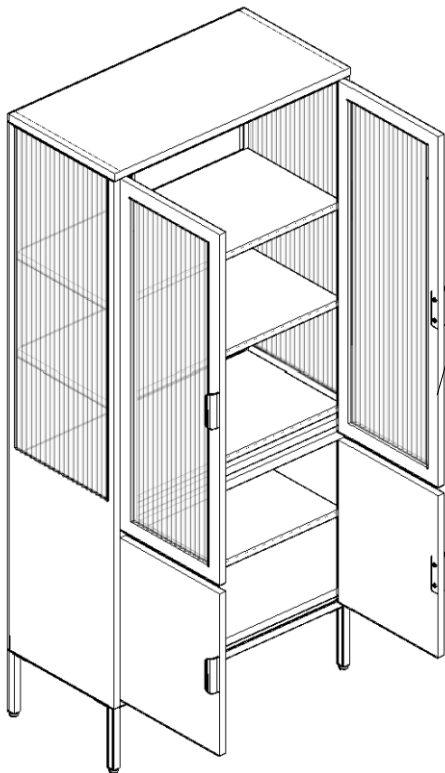
The lower cabinet door uses short pins.



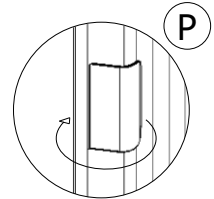
Insert the bottom hole of the cabinet door into the pin

Assembly Instructions

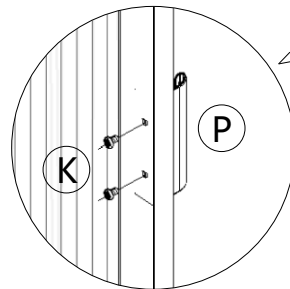
10



Insert a gap



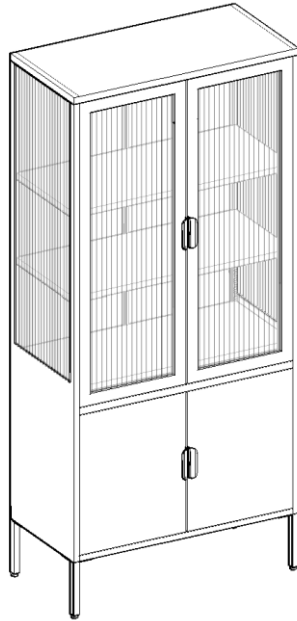
Rotate 90°



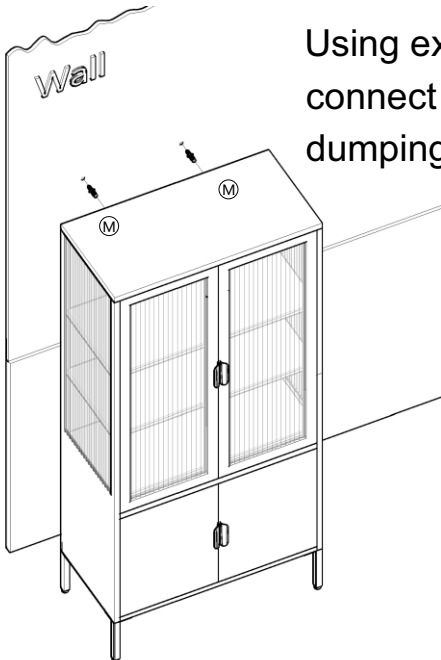
Use the handle screws to install the handle.

Assembly Instructions

11 Finish



12



Using expansion screws to connect to the wall can prevent dumping and make it stronger.