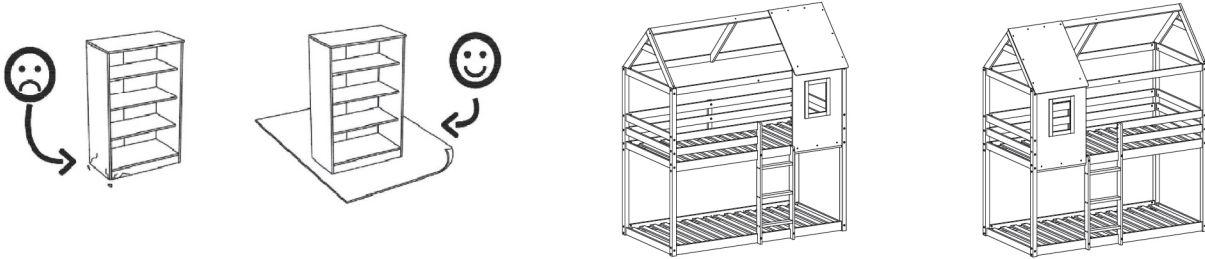


# INSTRUCTION SHEET

---

This set will be shipped by 2 boxes and they may arrive on different days. If both packages arrived but parts missing, please contact customer service.



**Before Assembly:** The window and ladder can be installed on either the left or right side. For your convenience, the following instructions show the detailed assembly stages for type 1 (Right Side) or type 2 (Left Side).

## IMPORTANT – READ CAREFULLY – RETAIN FOR FUTURE REFERENCE

WARNING "High beds and the upper bed of bunk beds are not suitable for children under six years due to the risk of injury from falls"

WARNING "Bunk beds and high beds can present a serious risk of injury from strangulation if not used correctly. Never attach or hang items to any part of the bunk bed that are not designed to be used with the bed, for example, but not limited to ropes, strings, cords, hooks, belts and bags"

WARNING "Children can become trapped between the bed and the wall, a roof pitch, the ceiling, adjoining pieces of furniture (e.g. cupboards) and the like. To avoid risk of serious injury the distance between the top safety barrier and the adjoining structure shall not exceed 75 mm or shall be more than 230 mm"

WARNING Do not use the bunk bed/high bed if any structural part is broken or missing. Contact the manufacturer or dealer for replacement part.

—Keep these instruction for future reference. Always follow the manufacturer' s instructions.

—The recommended size of the mattress: 90\*190\*10 cm

—Ventilation of the room is necessary in order to keep the humidity low and to prevent mold in and around the bed.

—All bunk beds and high beds intended to be assembled by other than the manufacturer or his/her representative shall include assembly instructions including a list of the parts supplied and details of any tools required to assemble the bed.

—The maximum thickness of the mattress: 15 cm

—Check regularly that all assembly fastenings are properly tightened.

—Follow the information on the warning label appearing on the upper bed and structure on the carton. Do not remove warning

label from bed.

—Always use the recommended size mattress or mattress support, or both to help prevent the likelihood of entrapment or falls.

—Surface of mattress must be at least 16 cm below the upper edge of guard rails.

—Prohibit more than one person on upper bed.

—Periodically check and ensure that the guardrail, ladder, and other components are in their proper position, free from damage, and that all connectors are tight.

—Do not allow horseplay on or under the bed and prohibit jumping on the bed.

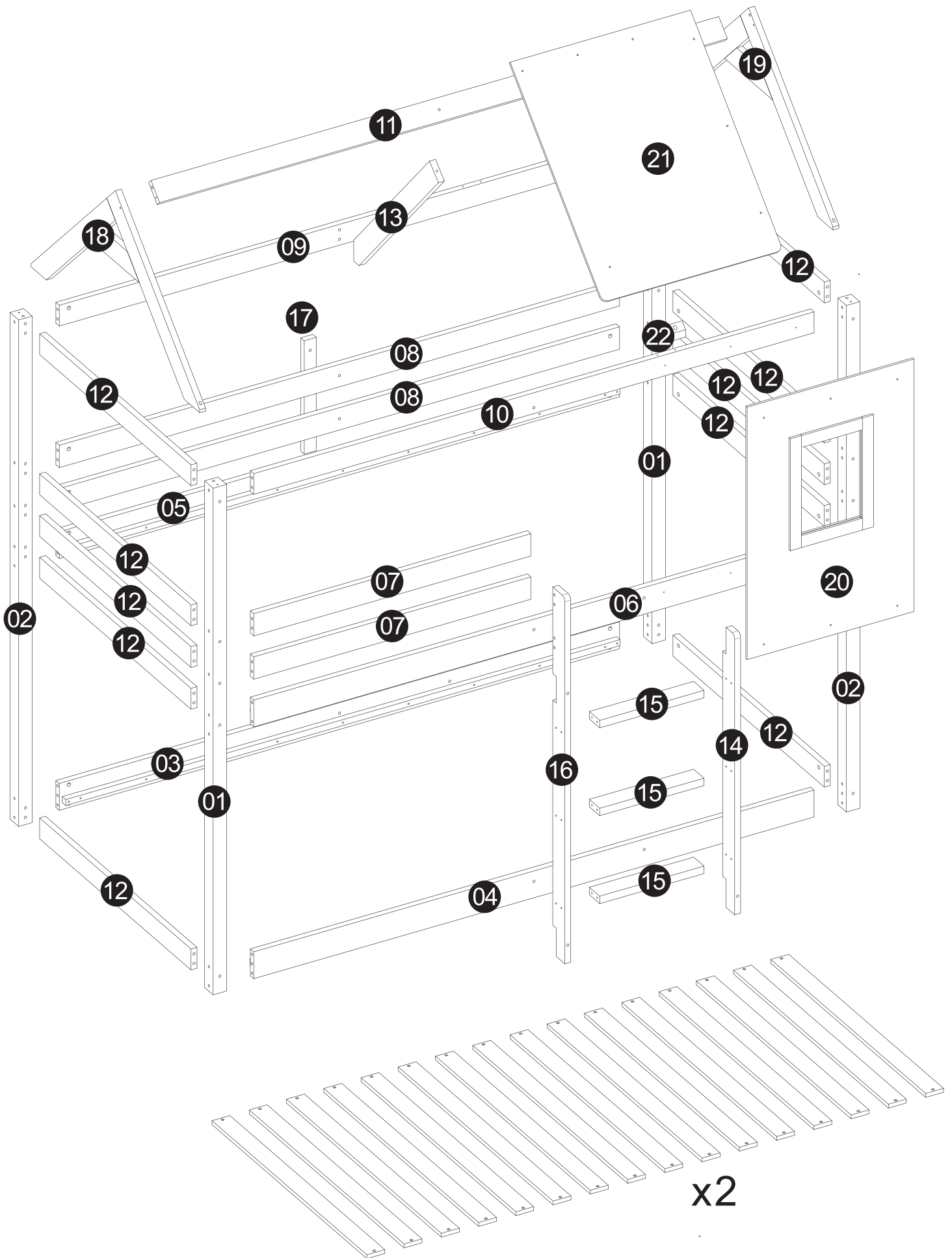
—Always use the ladder for entering and leaving upper bed.

—Use of night light may provide added safety precaution for a child using the upper bed.

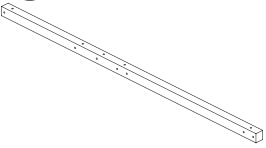
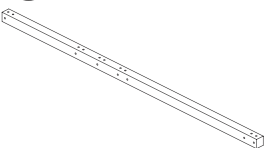
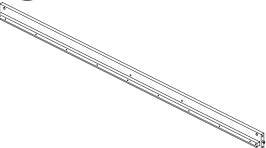
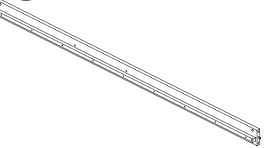
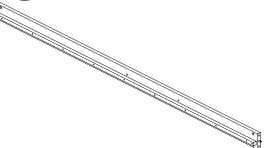
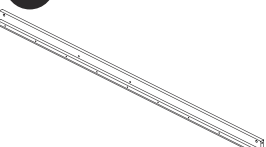
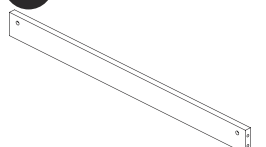
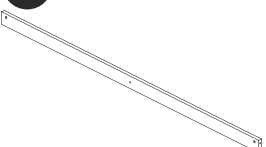
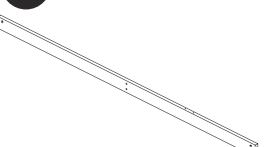
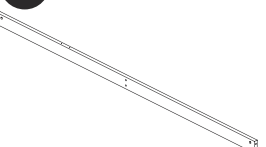
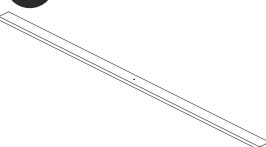
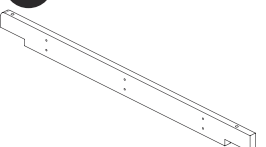
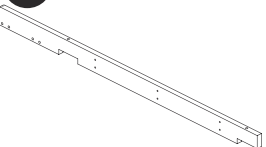
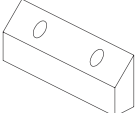
—The use of water or sleep flotation mattresses is prohibited.

—The number and year of this European Standard: BS EN 747-1:2012+A1:2015

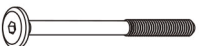


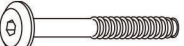



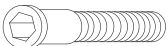
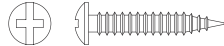

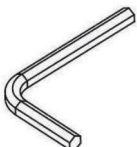

# EXPLODED VIEW



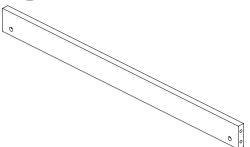
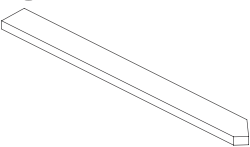
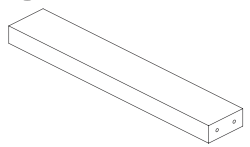
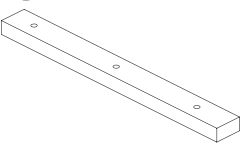
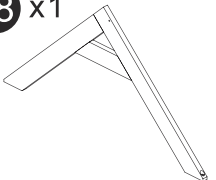
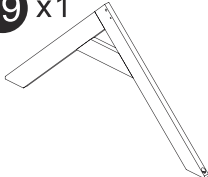
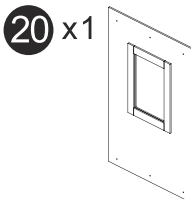
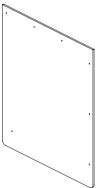
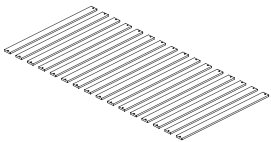
## Part List

<b>01</b> x2 	<b>02</b> x2 	<b>03</b> x1 	<b>04</b> x1 	<b>05</b> x1 
<b>06</b> x1 	<b>07</b> x2 	<b>08</b> x2 	<b>09</b> x1 	<b>10</b> x1 
<b>11</b> x1 	<b>14</b> x1 	<b>16</b> x1 	<b>22</b> x1 	

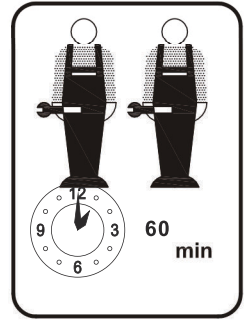
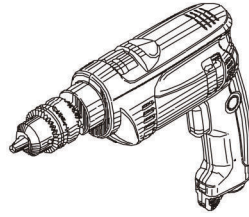
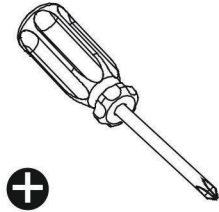
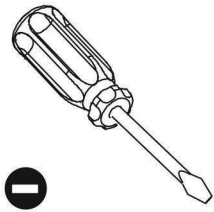
## Hardware List

<b>A</b> x46  M6x90mm	<b>B</b> x48 	<b>C</b> x47  Φ8x30mm	<b>D</b> x6  M6x60mm	<b>E</b> x3  M6x30mm
<b>F</b> x7 	<b>G</b> x19  Φ7x50mm	<b>H</b> x1  Φ7x40mm	<b>J</b> x13  Φ4x20mm	<b>K</b> x66  Φ4x30mm
<b>L</b> x2 	<b>M</b> x11 			

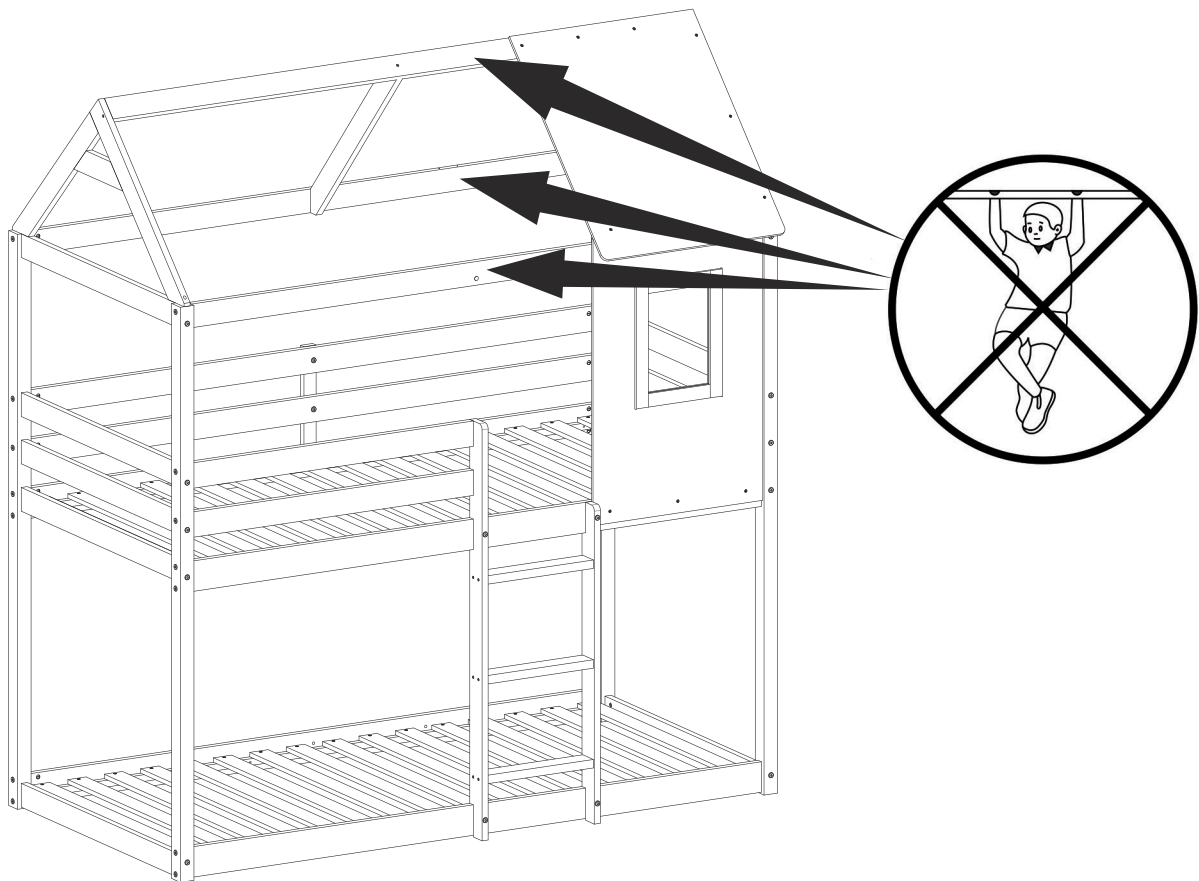
## Part List

<b>12</b> x10 	<b>13</b> x1 	<b>15</b> x3 	<b>17</b> x1 	<b>18</b> x1 
<b>19</b> x1 	<b>20</b> x1 	<b>21</b> x1 	x2 	

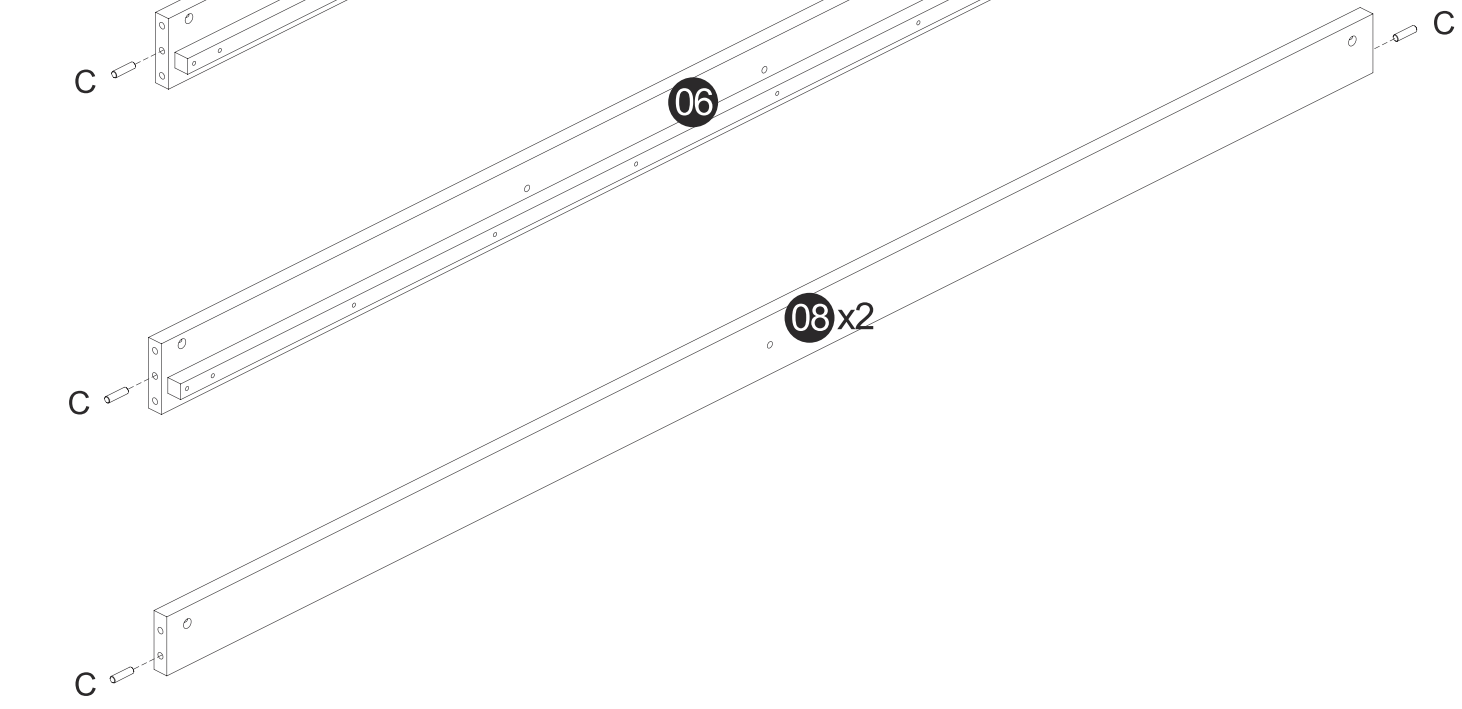
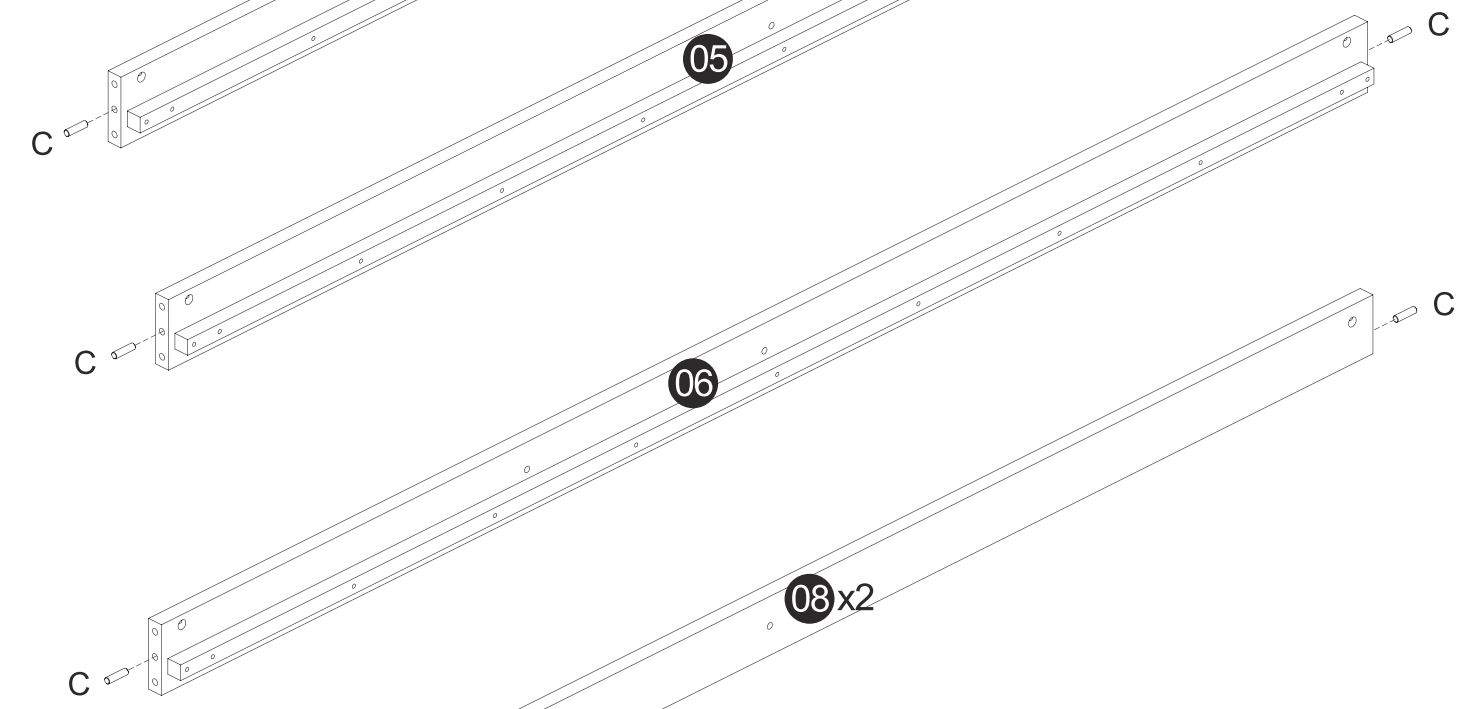
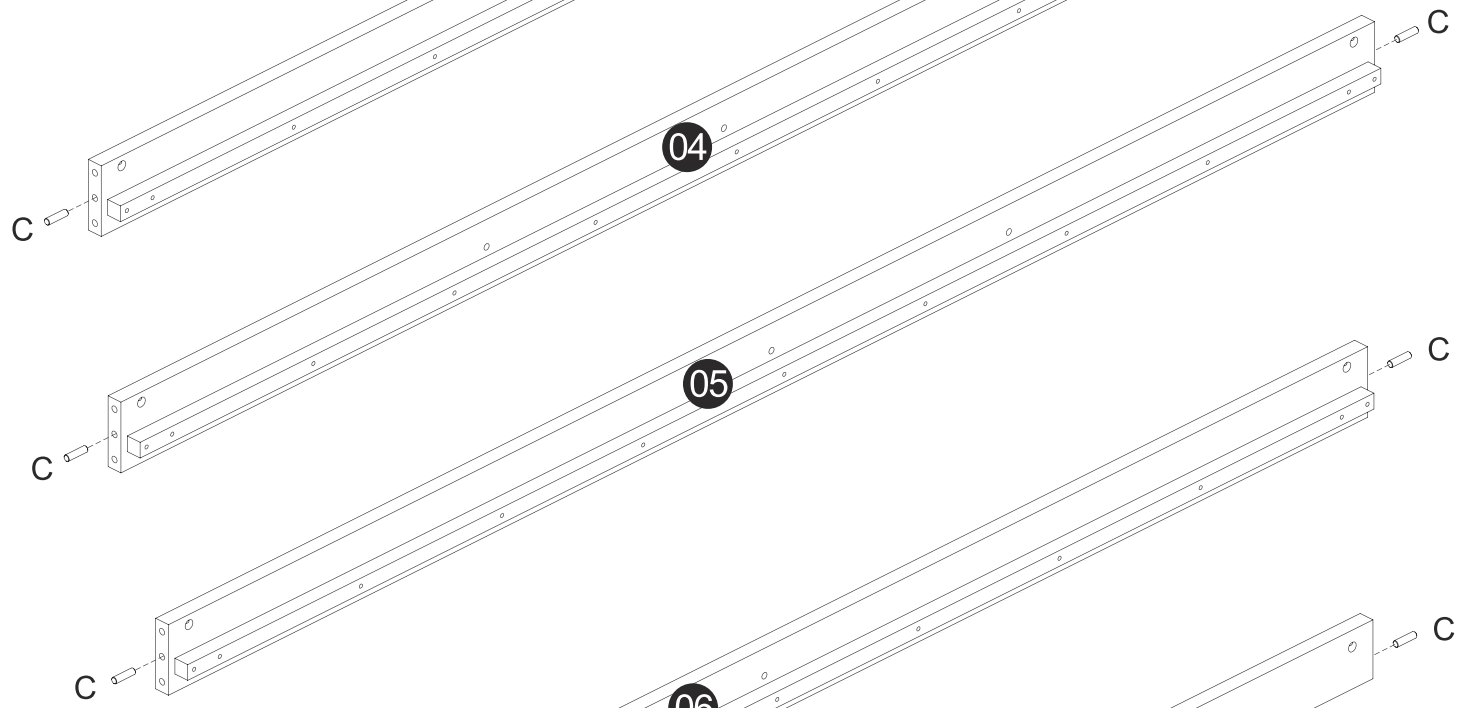
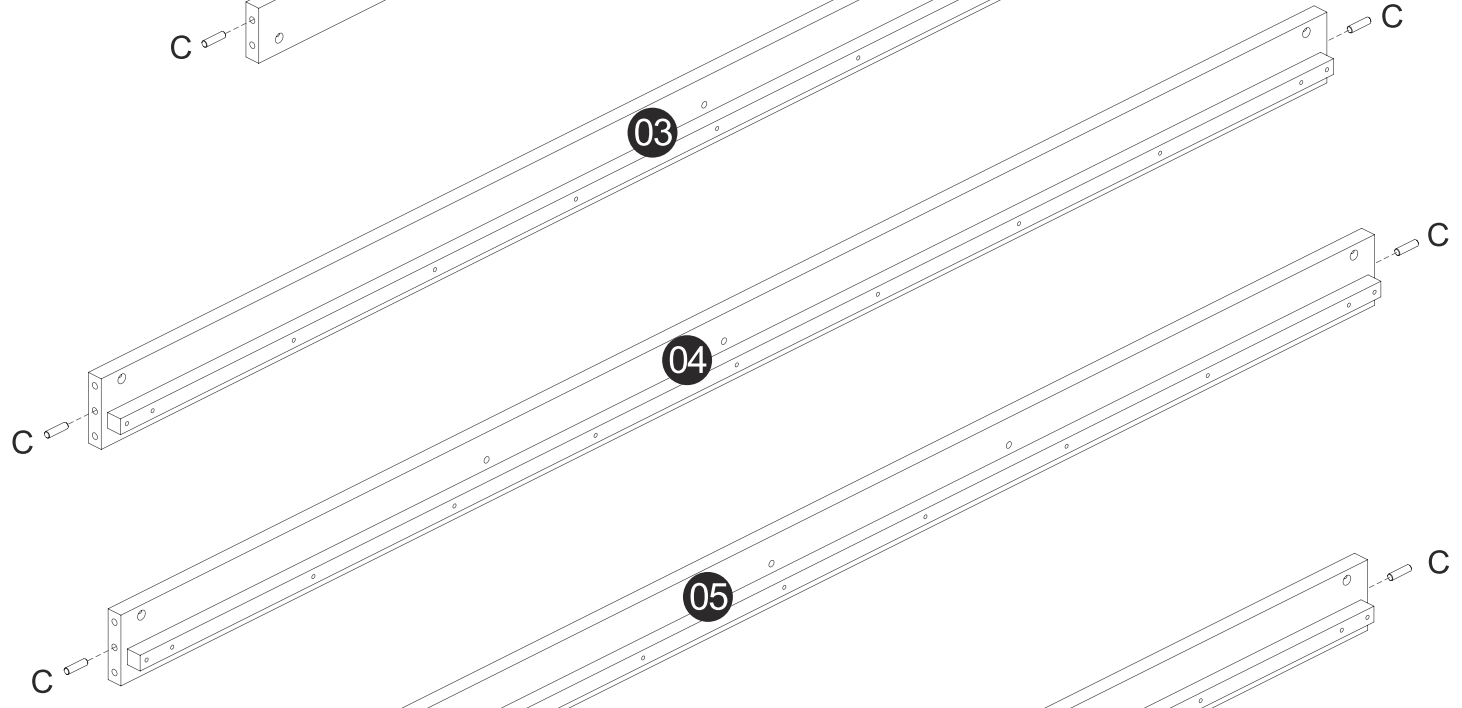
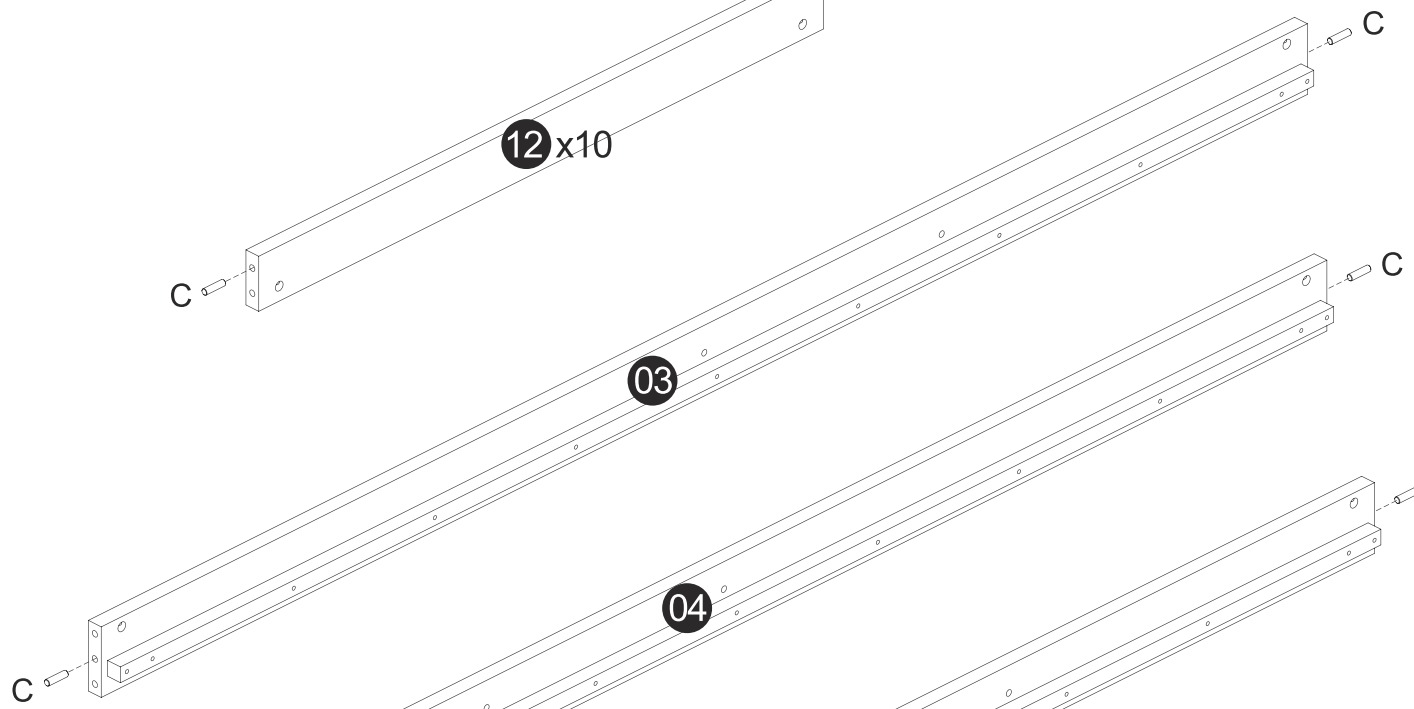
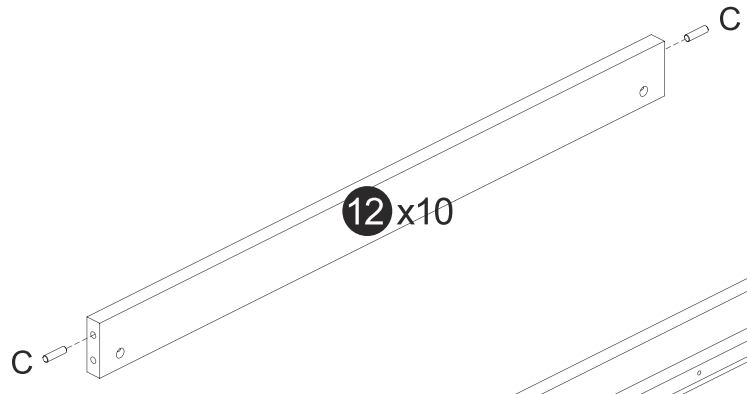
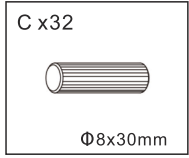
TOOLS (Not included)

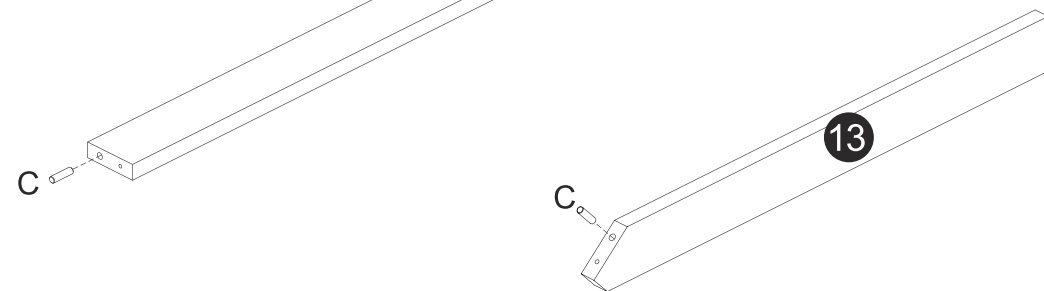
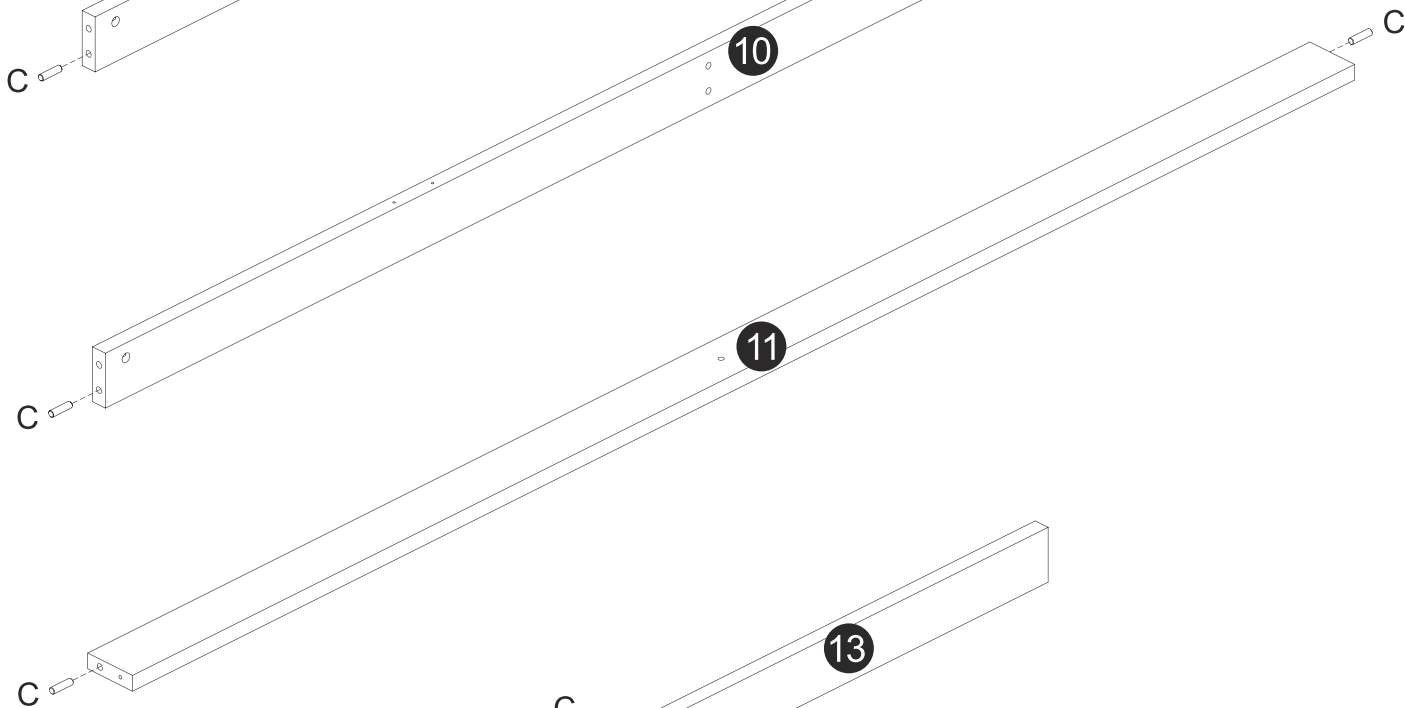
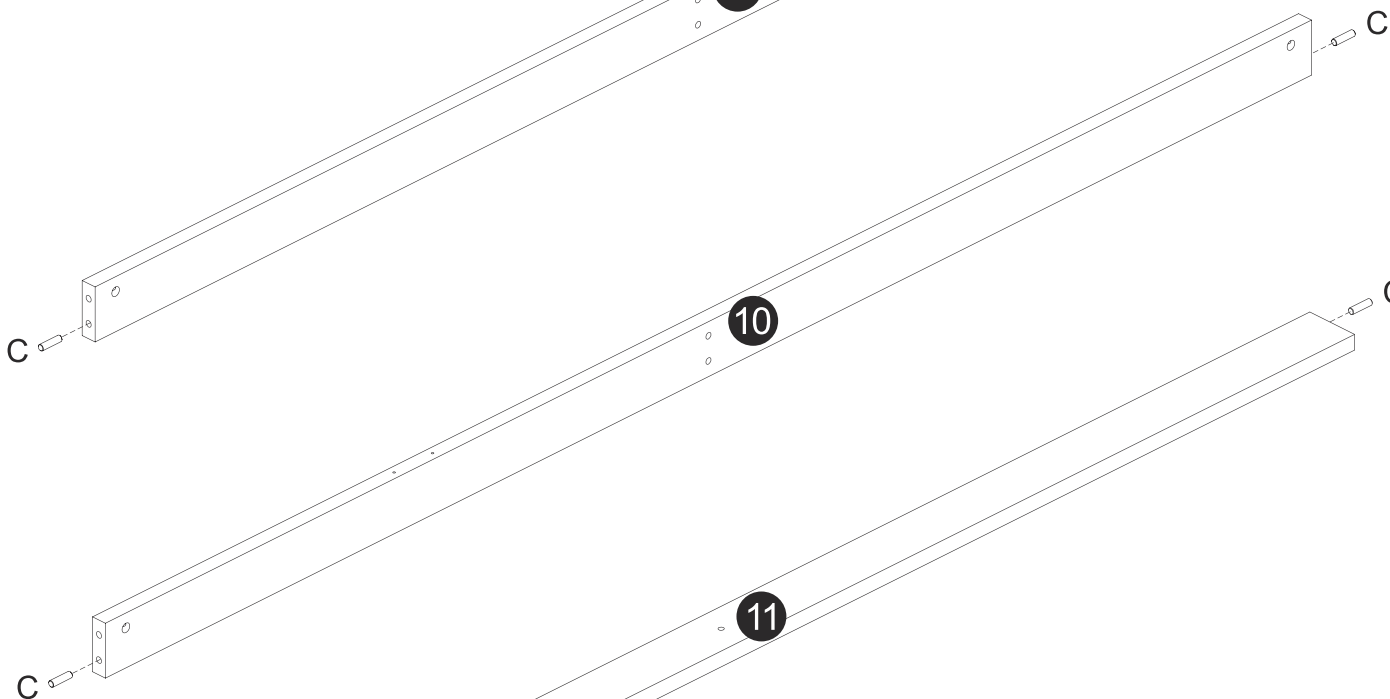
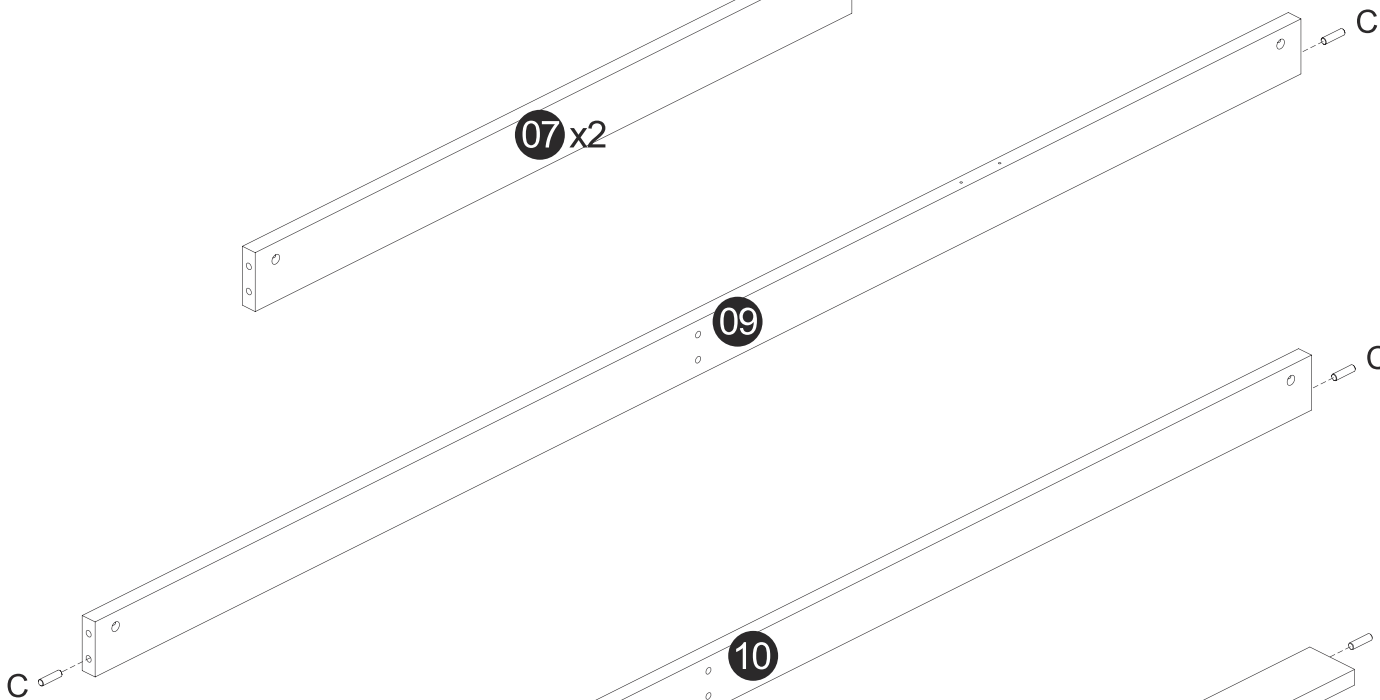
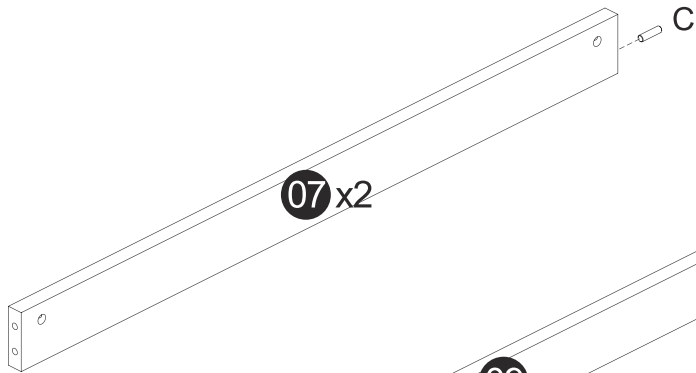
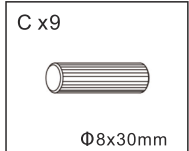


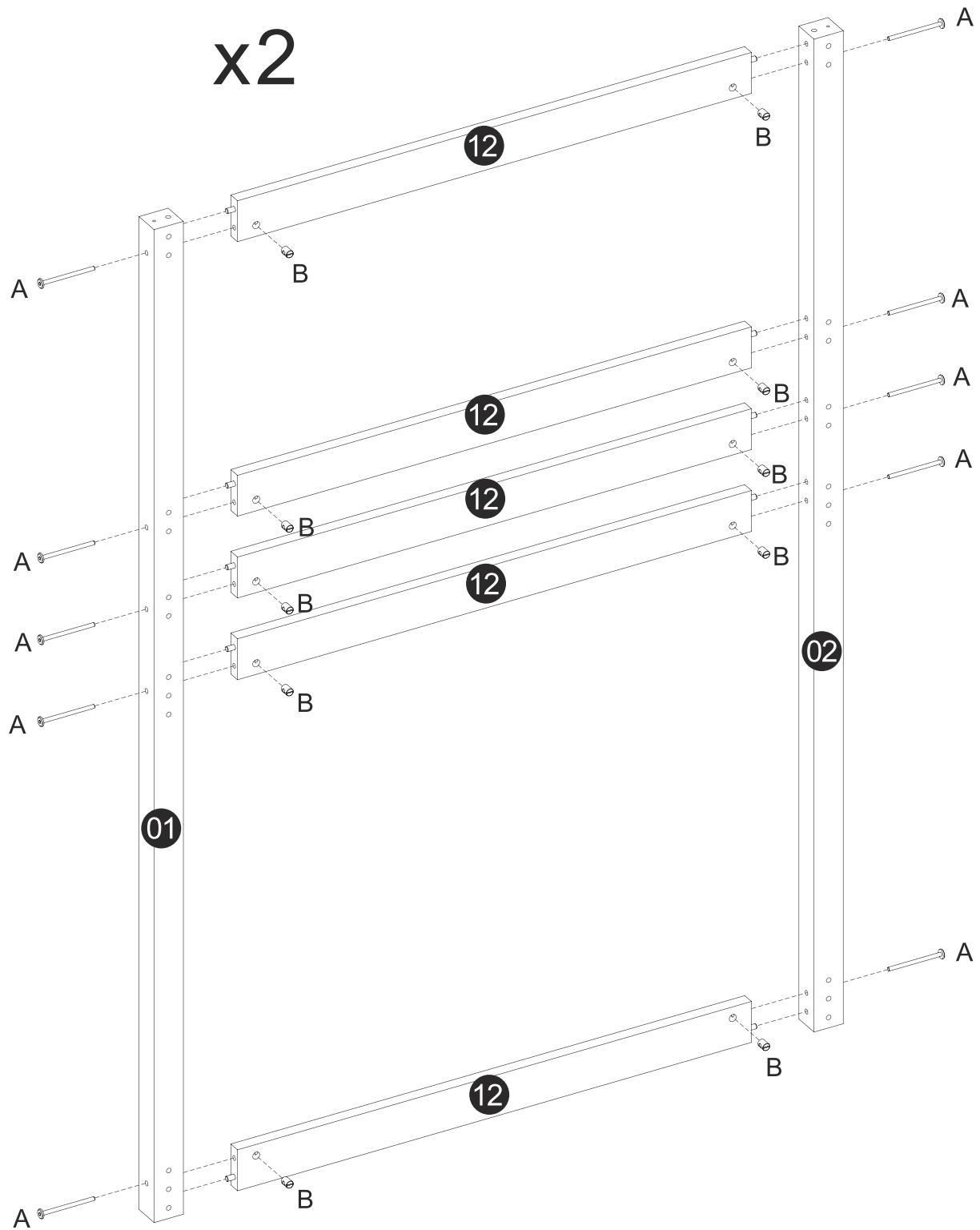
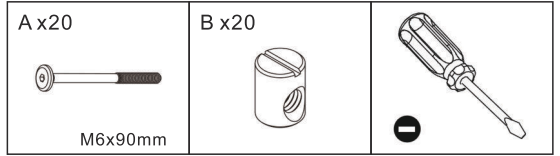
WARNING

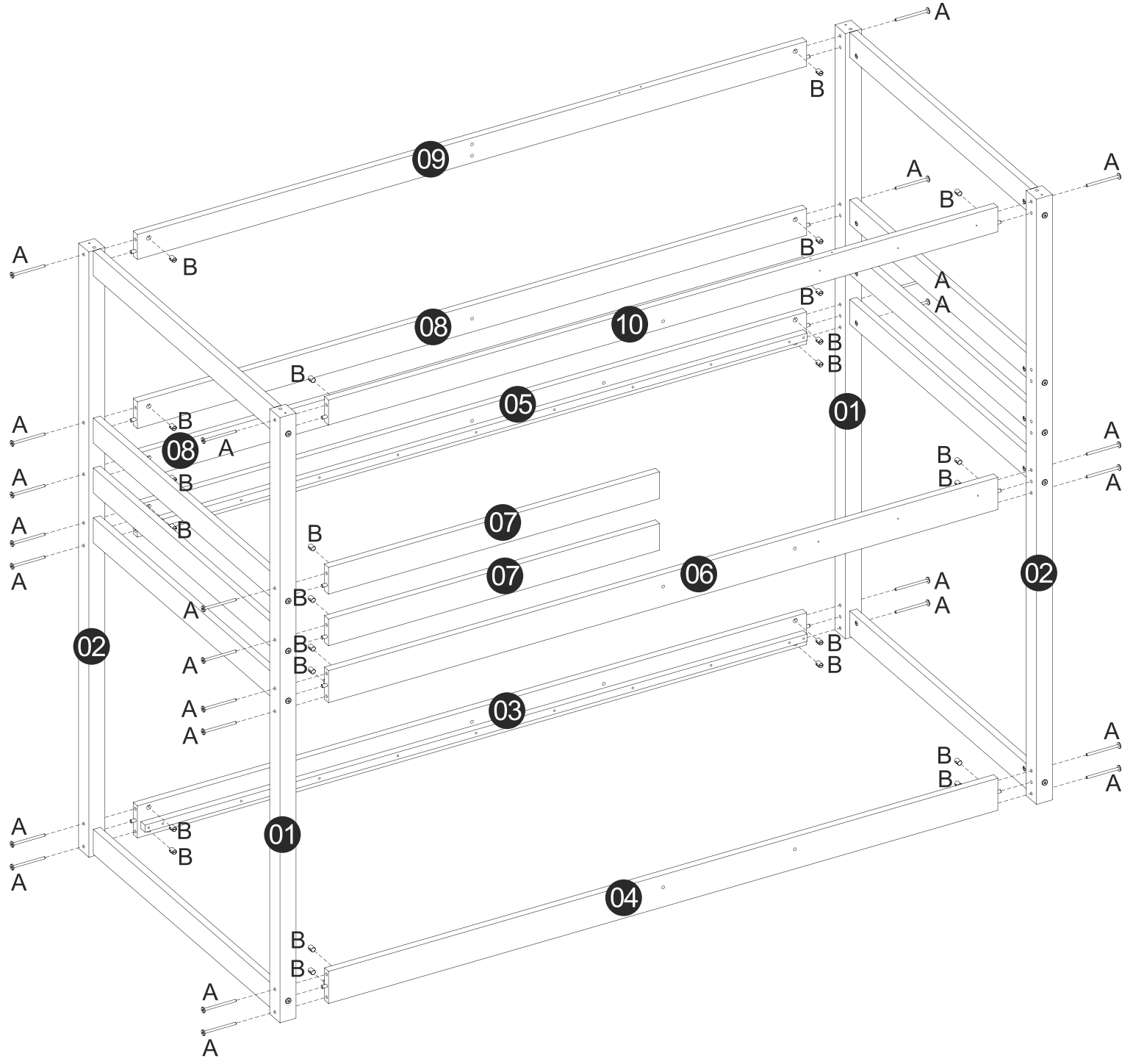
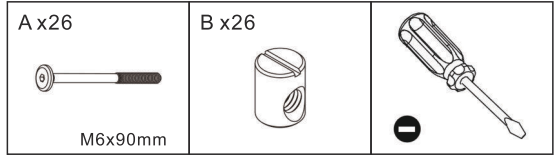


The maximum thickness of the mattress: 15cm



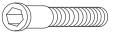
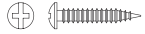

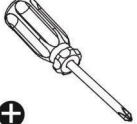


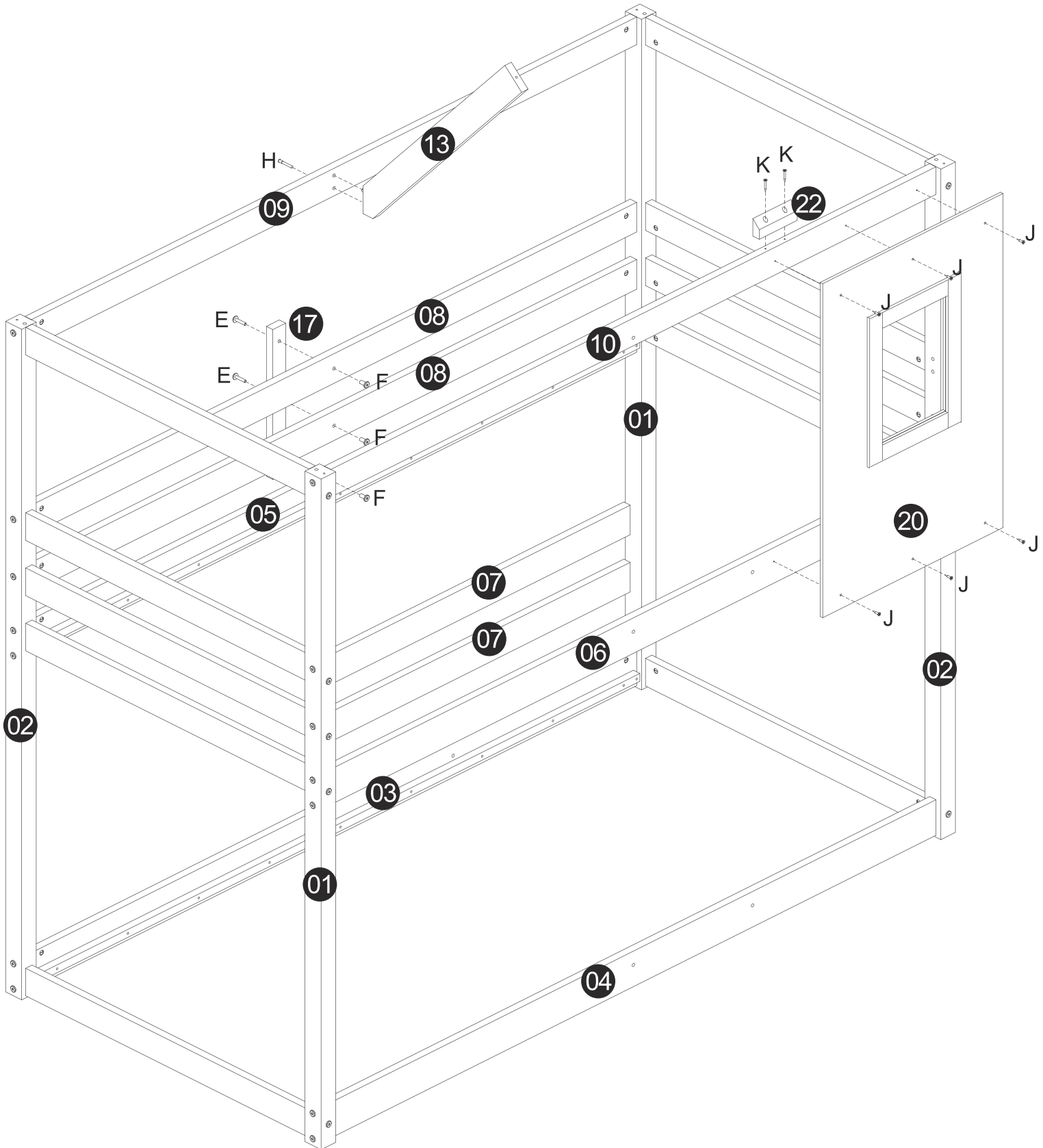









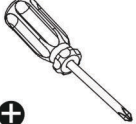


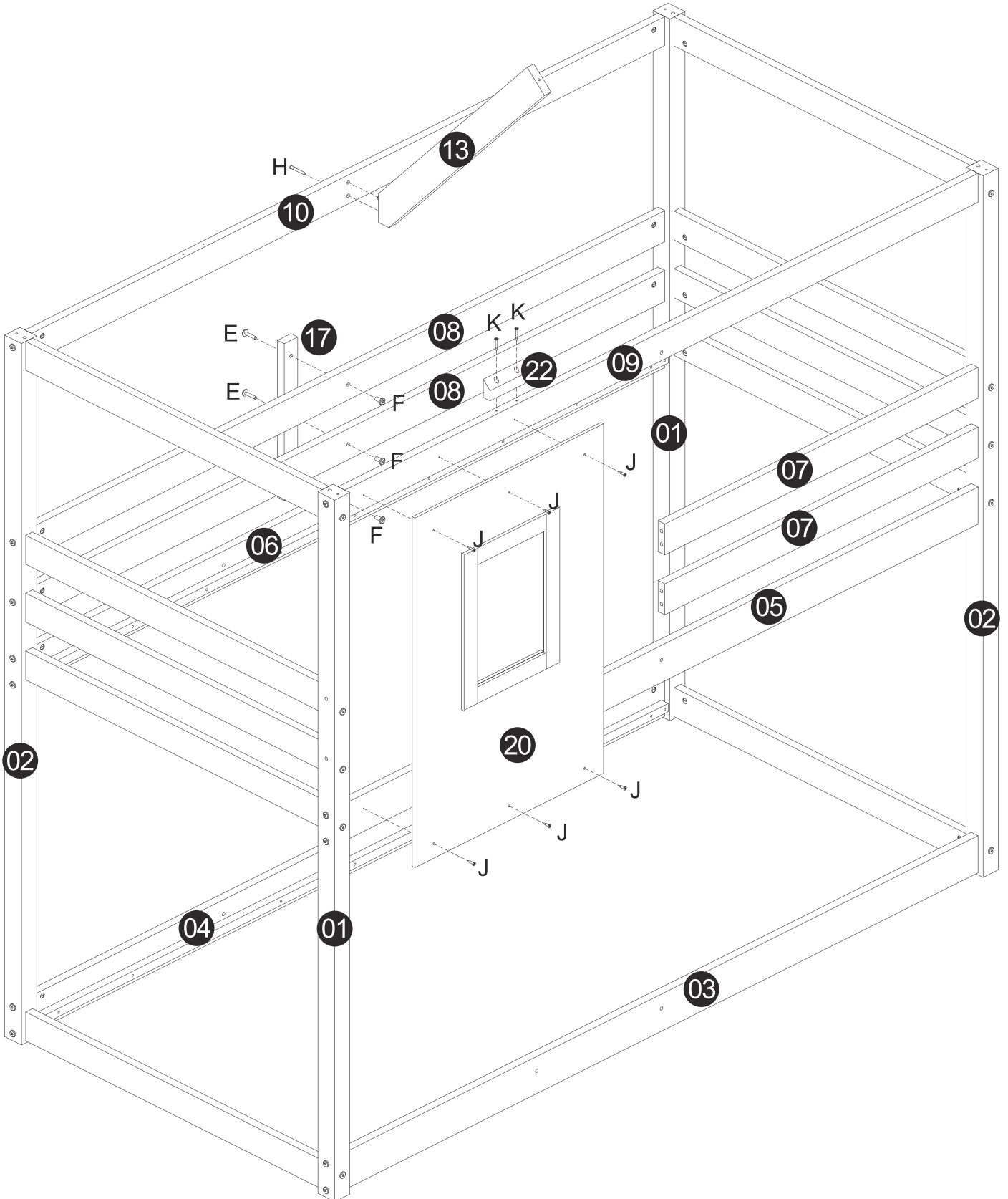
# 05 TYPE 1

<p>E x3</p>  <p>M6x30mm</p>	<p>F x3</p> 	<p>H x1</p>  <p>Φ7x40mm</p>	<p>J x6</p>  <p>Φ4x20mm</p>	<p>K x2</p>  <p>Φ4x30mm</p>	 <p>+</p>
--	---	--	---	--	--



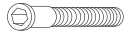
# 05 TYPE 2

<p>E x3</p>  <p>M6x30mm</p>	<p>F x3</p> 	<p>H x1</p>  <p>Φ7x40mm</p>	<p>J x6</p>  <p>Φ4x20mm</p>	<p>K x2</p>  <p>Φ4x30mm</p>	 <p>+</p>
--	---	--	--	--	--

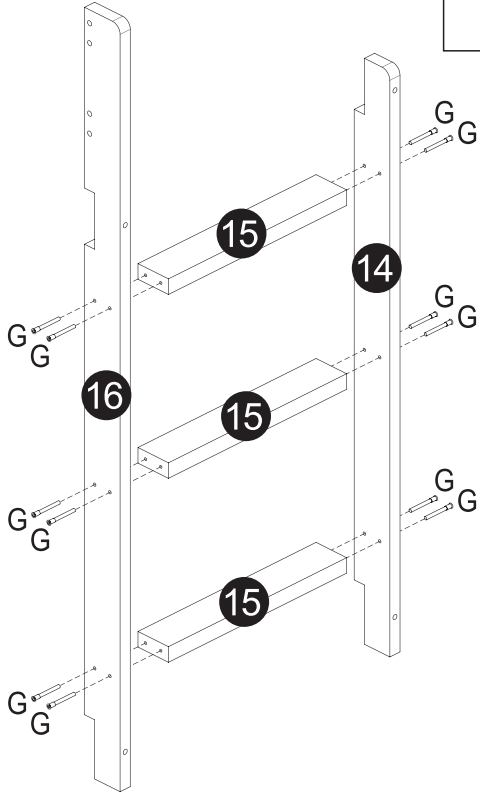


**06 TYPE 1**

G x12



Ø7x50mm

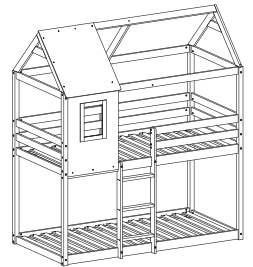
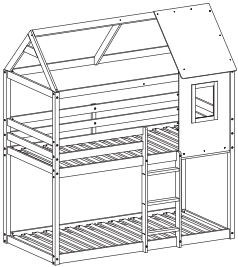
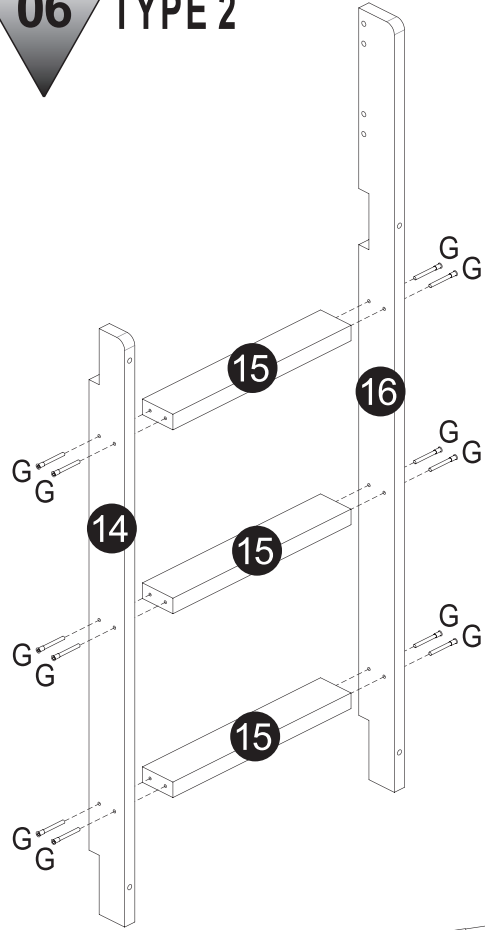


**06 TYPE 2**

G x12



Ø7x50mm

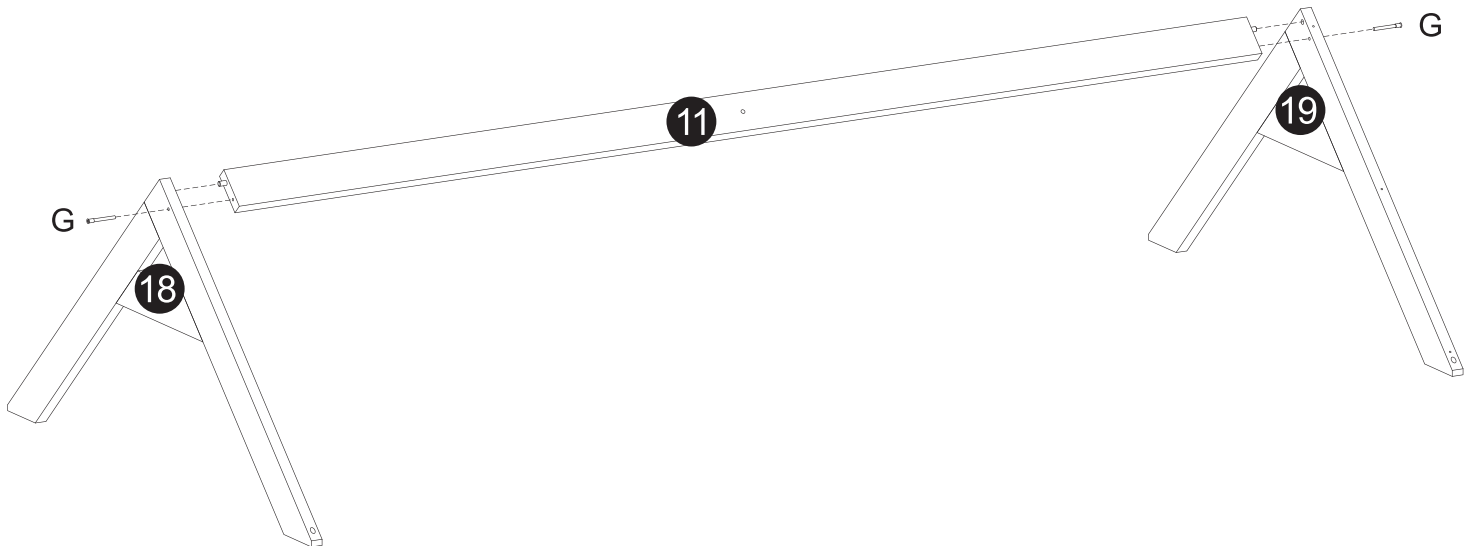


**07**





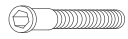
G x2

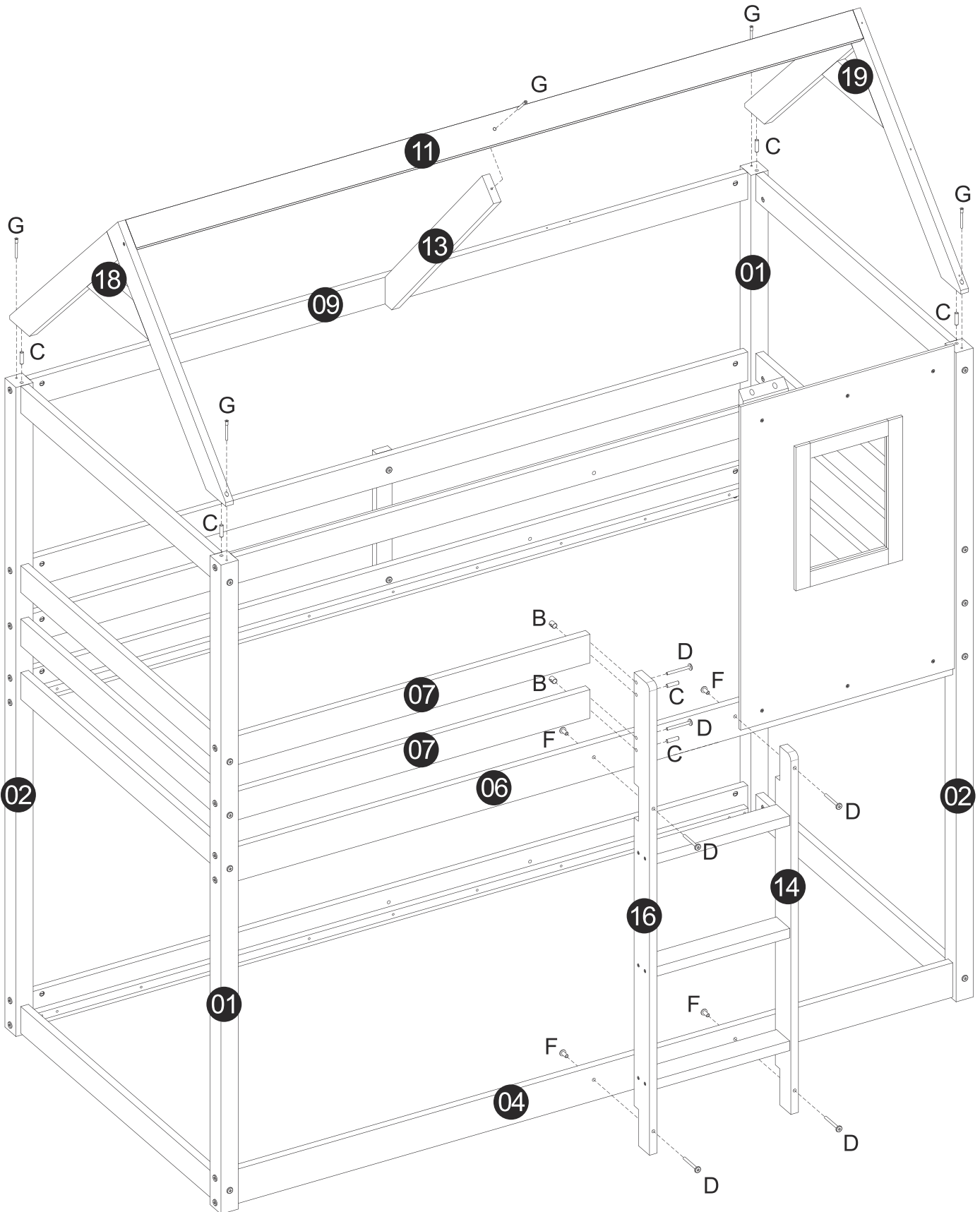


Ø7x50mm





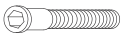


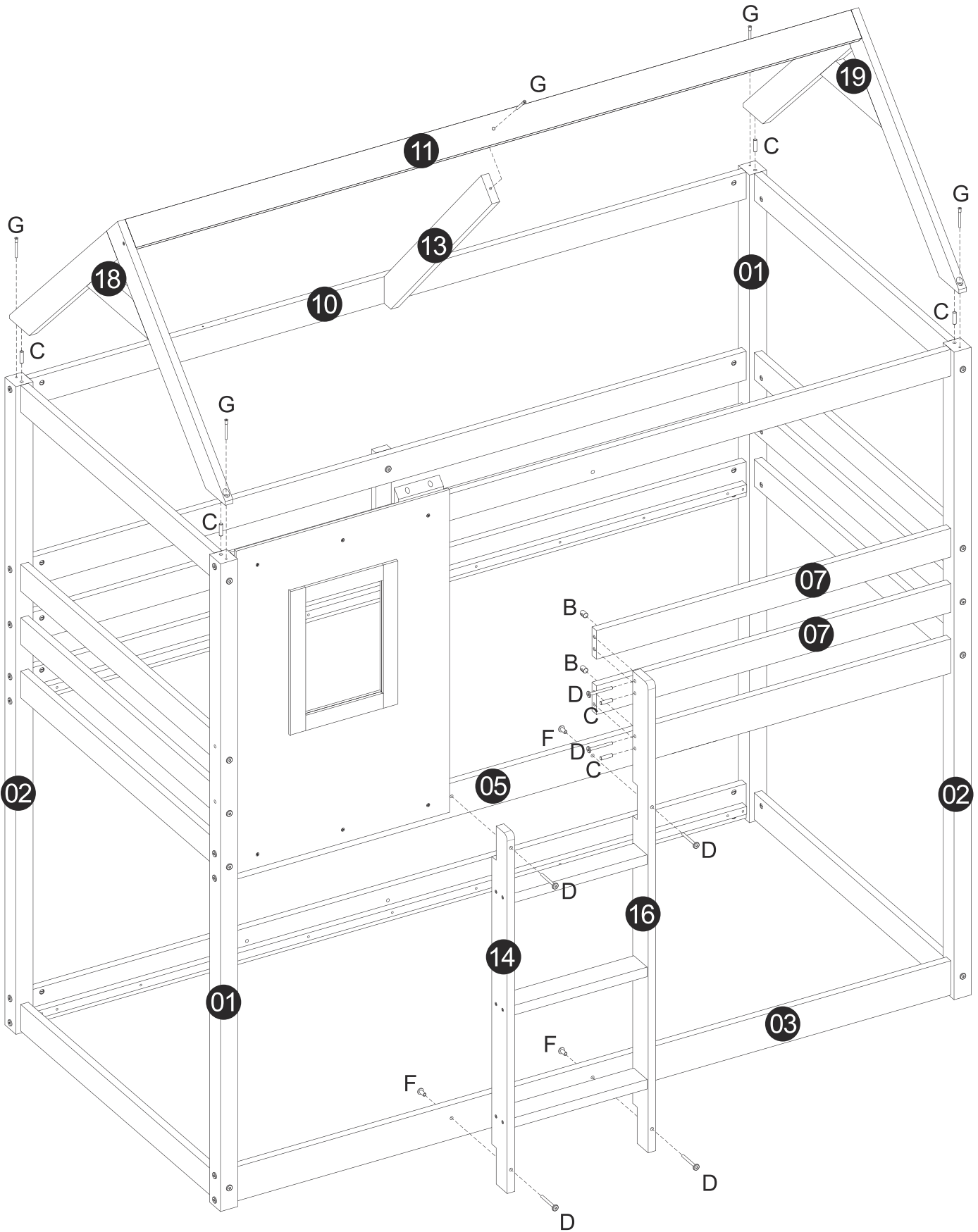
**08 TYPE 1**

B x2 	C x6 	D x6 	F x4 	G x5 
	Ø8x30mm	M6x60mm		Ø7x50mm

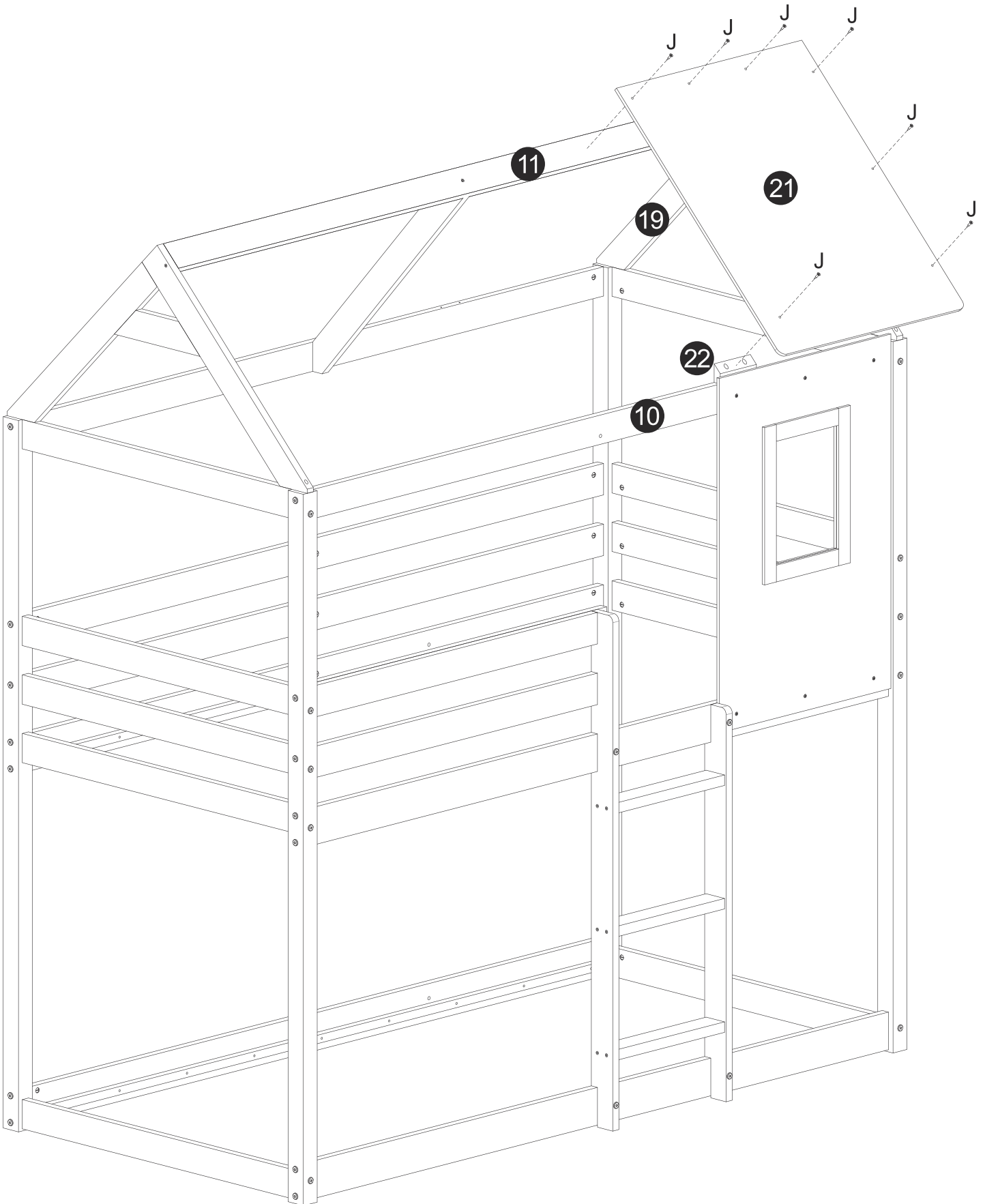
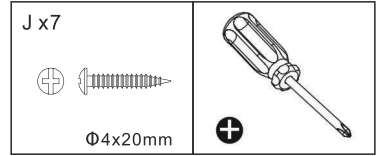


# 08 TYPE 2

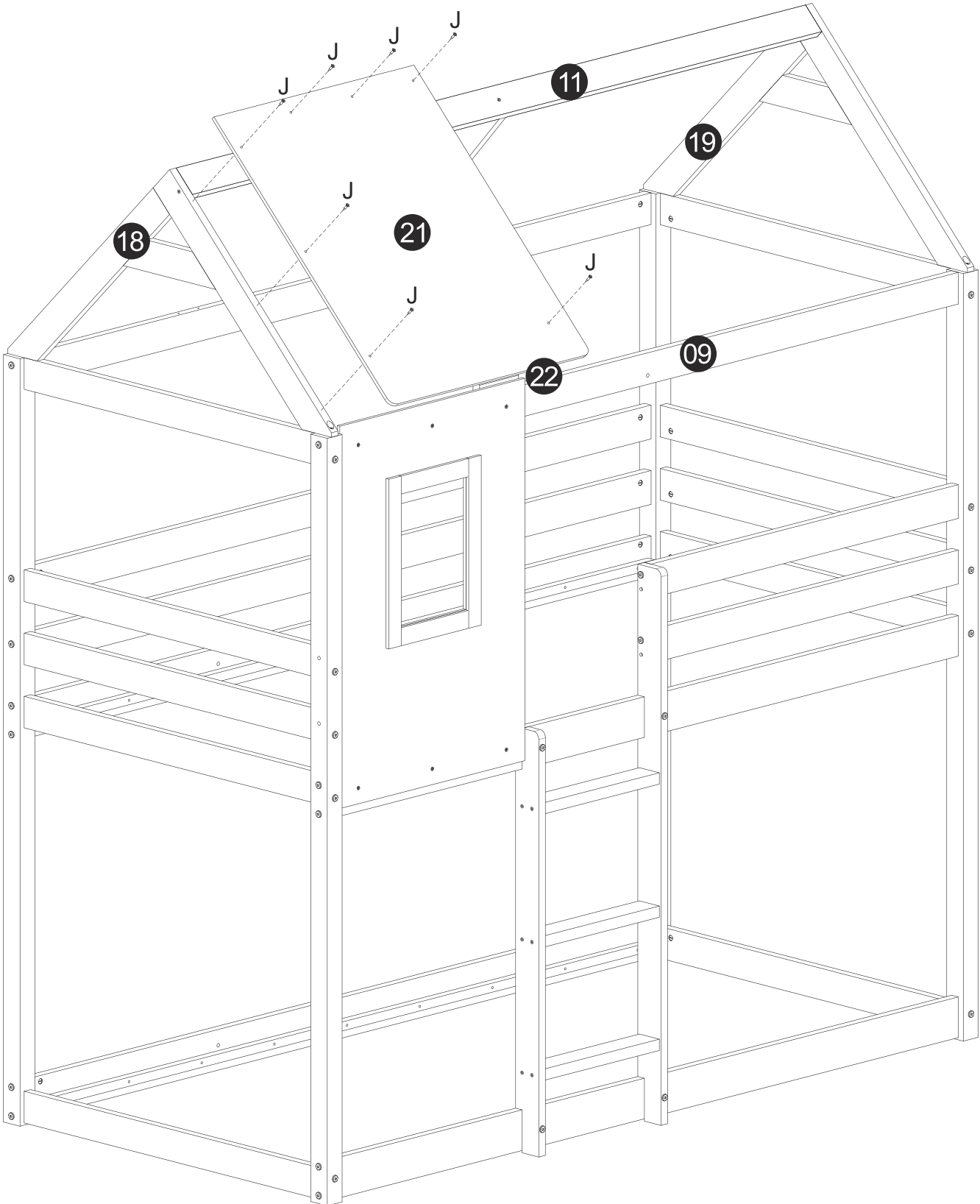
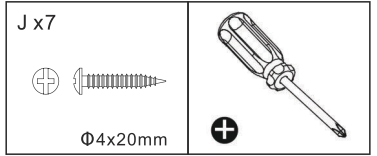
<p>B x2</p> 	<p>C x6</p>  <p>Ø8x30mm</p>	<p>D x6</p>  <p>M6x60mm</p>	<p>F x4</p> 	<p>G x5</p>  <p>Ø7x50mm</p>
---	--	---	---	--



**09** TYPE 1



**09** TYPE 2

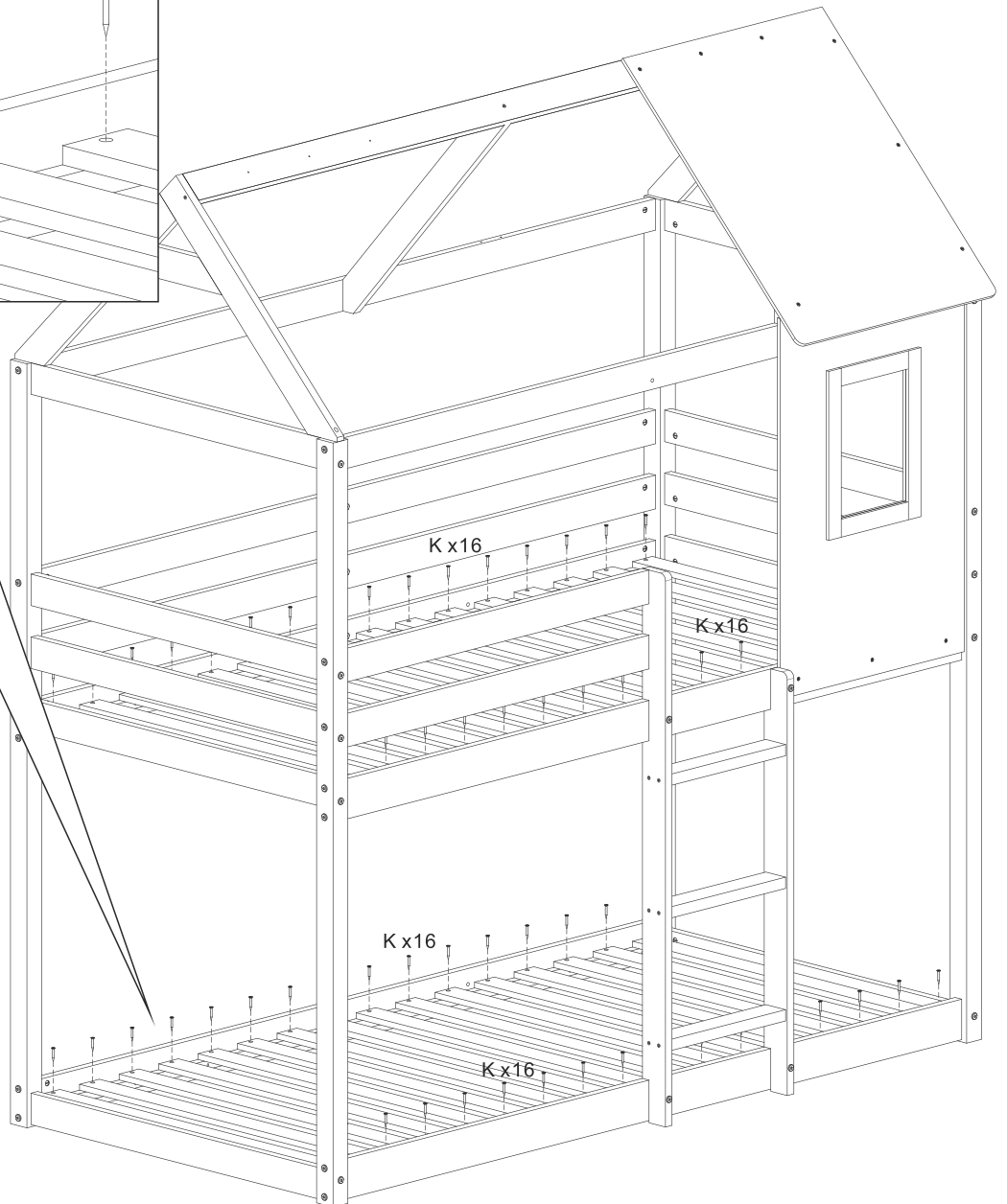
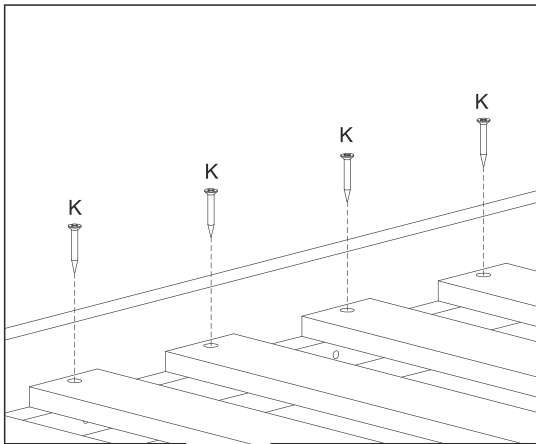
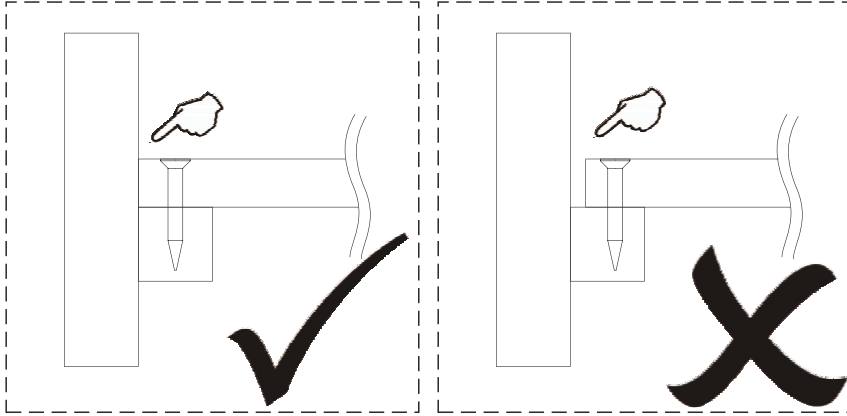
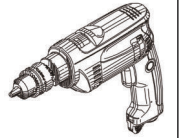


10

K x64

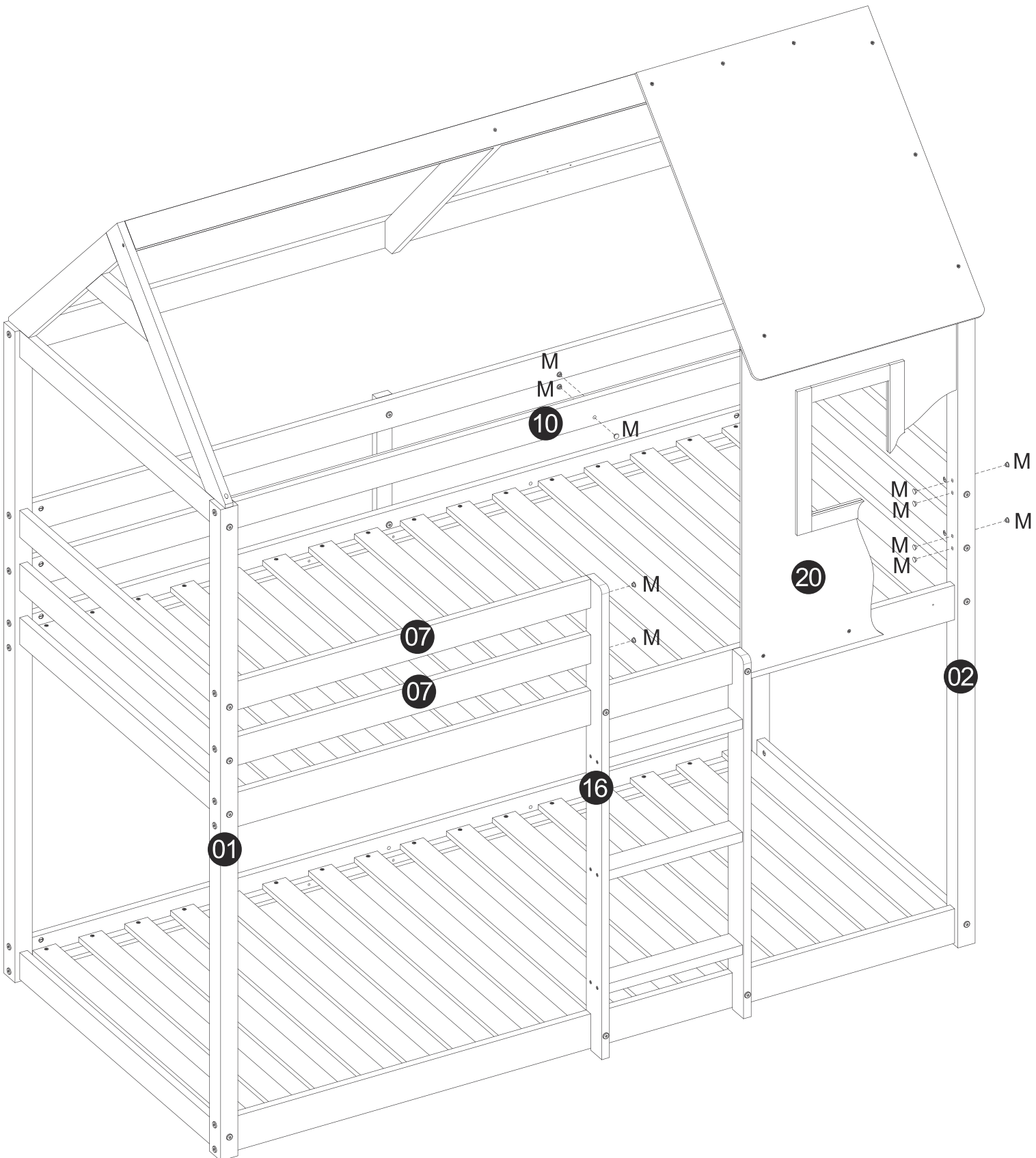


Φ4x30mm



**11** TYPE 1

M x11



**11** TYPE 2

M x11

