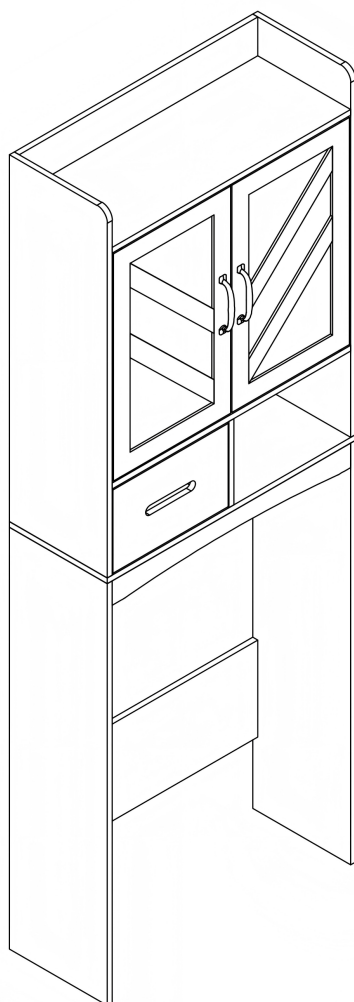
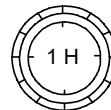
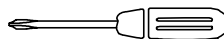
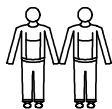
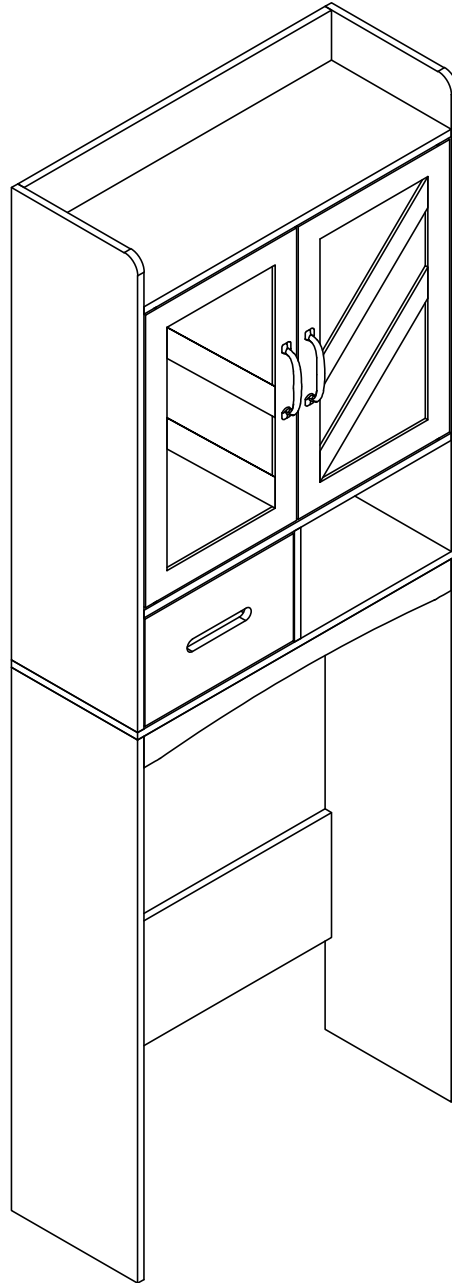
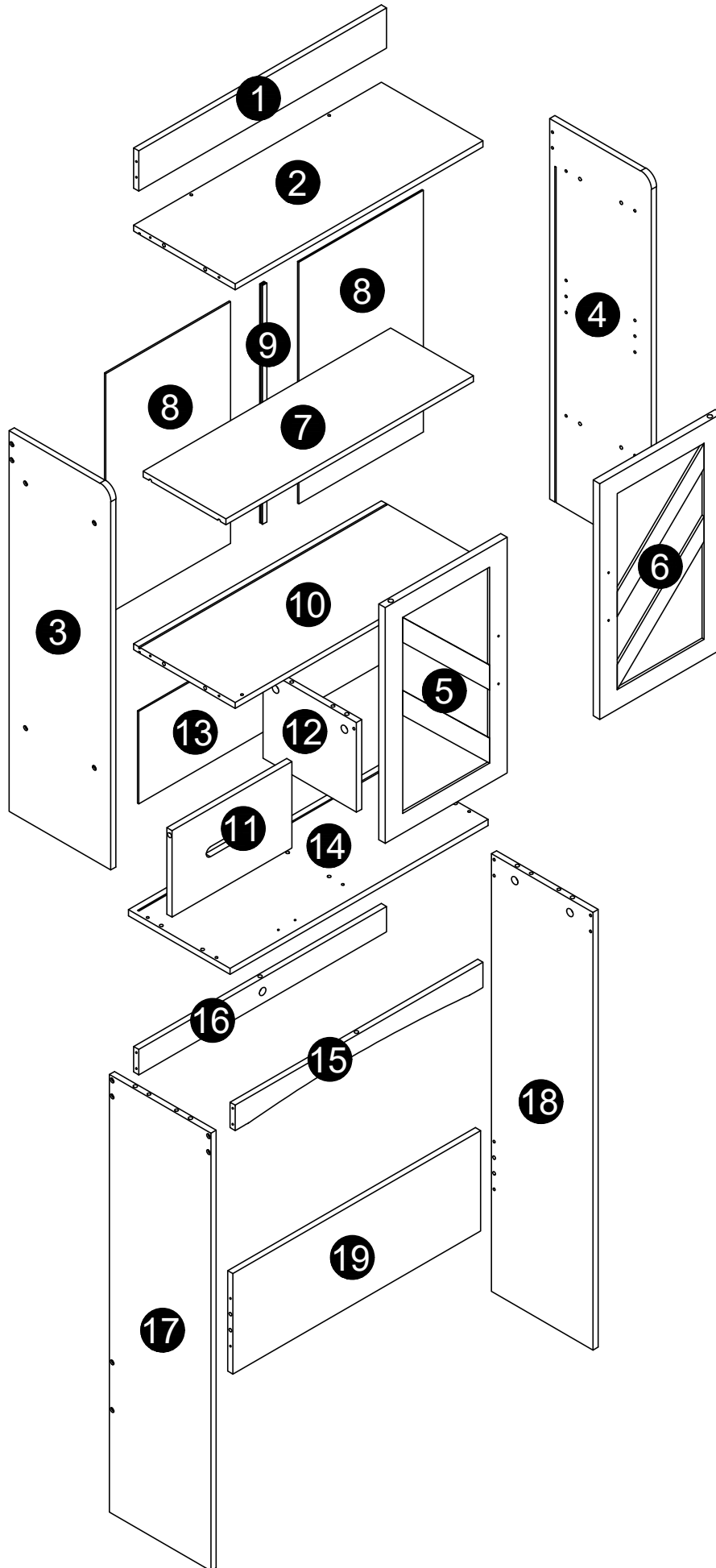


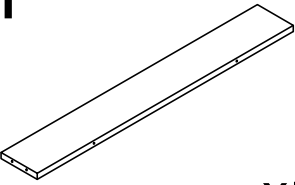
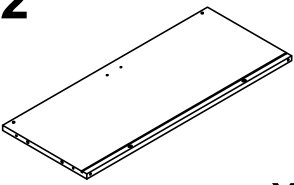
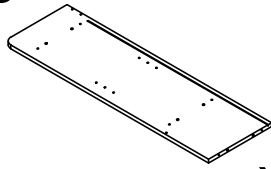
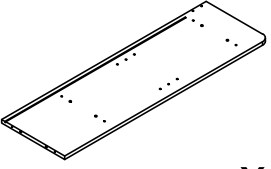
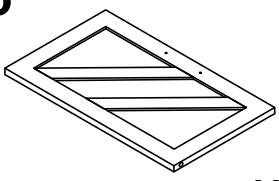
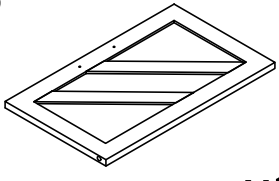
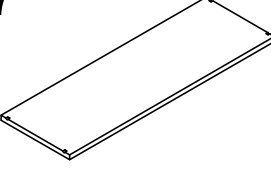
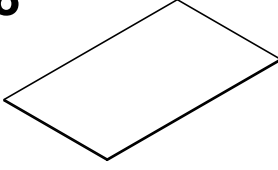
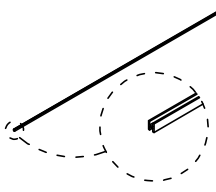
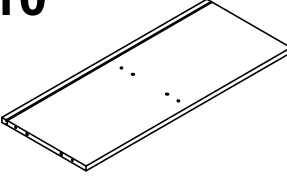
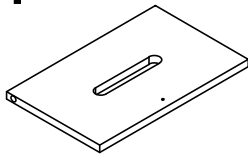
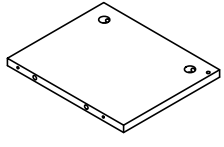
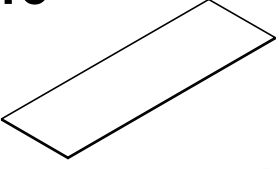
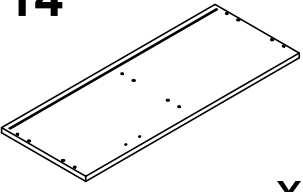
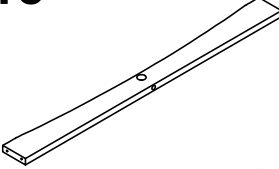
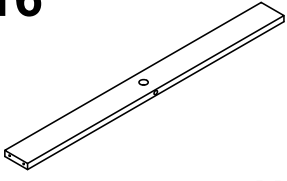
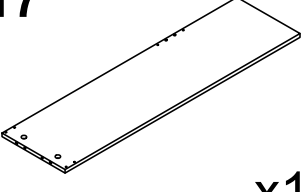
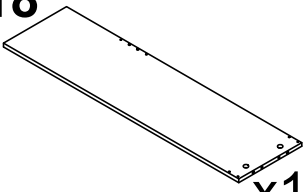
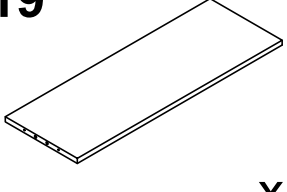
Fishbone Door Toilet Cabinet

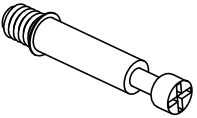


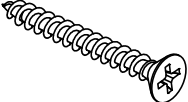
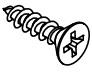




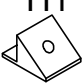

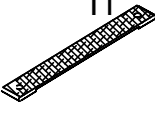
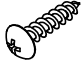
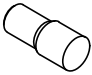








ASSEMBLY INSTRUCTIONS

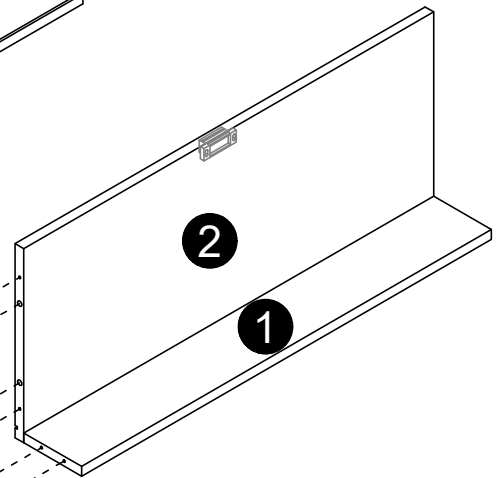
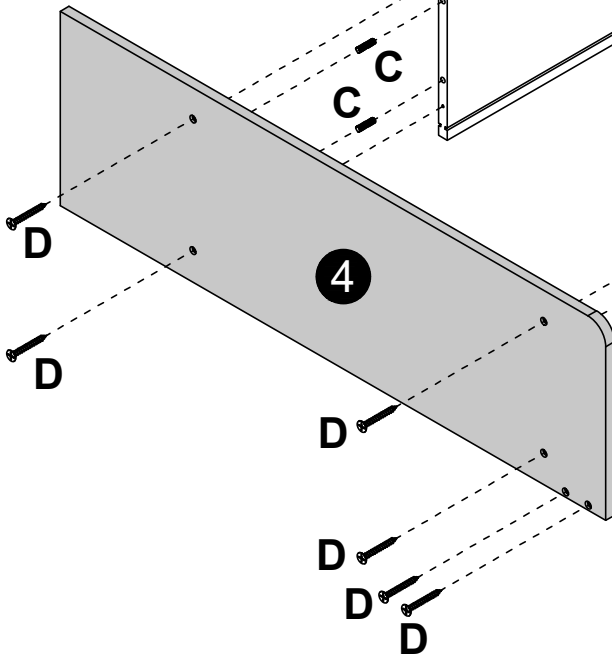
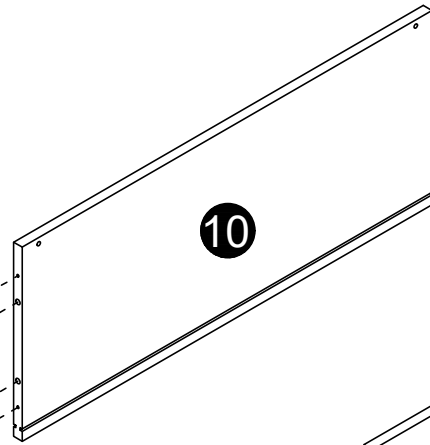
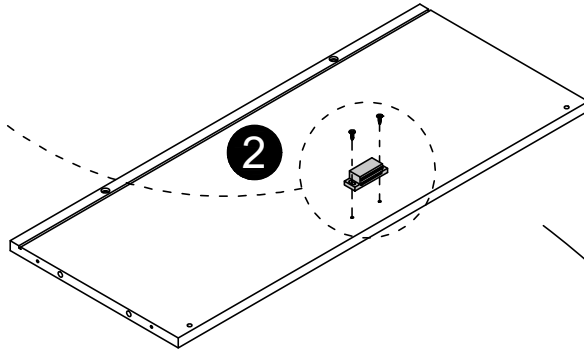
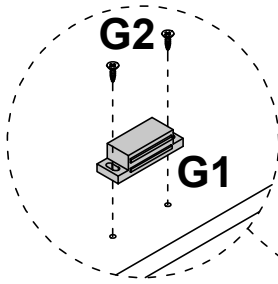



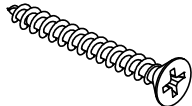




<p>1</p>  <p>x1</p>	<p>2</p>  <p>x1</p>	<p>3</p>  <p>x1</p>	<p>4</p>  <p>x1</p>
<p>5</p>  <p>x1</p>	<p>6</p>  <p>x1</p>	<p>7</p>  <p>x1</p>	<p>8</p>  <p>x2</p>
<p>9</p>  <p>x1</p>	<p>10</p>  <p>x1</p>	<p>11</p>  <p>x1</p>	<p>12</p>  <p>x1</p>
<p>13</p>  <p>x1</p>	<p>14</p>  <p>x1</p>	<p>15</p>  <p>x1</p>	<p>16</p>  <p>x1</p>
<p>17</p>  <p>x1</p>	<p>18</p>  <p>x1</p>	<p>19</p>  <p>x1</p>	

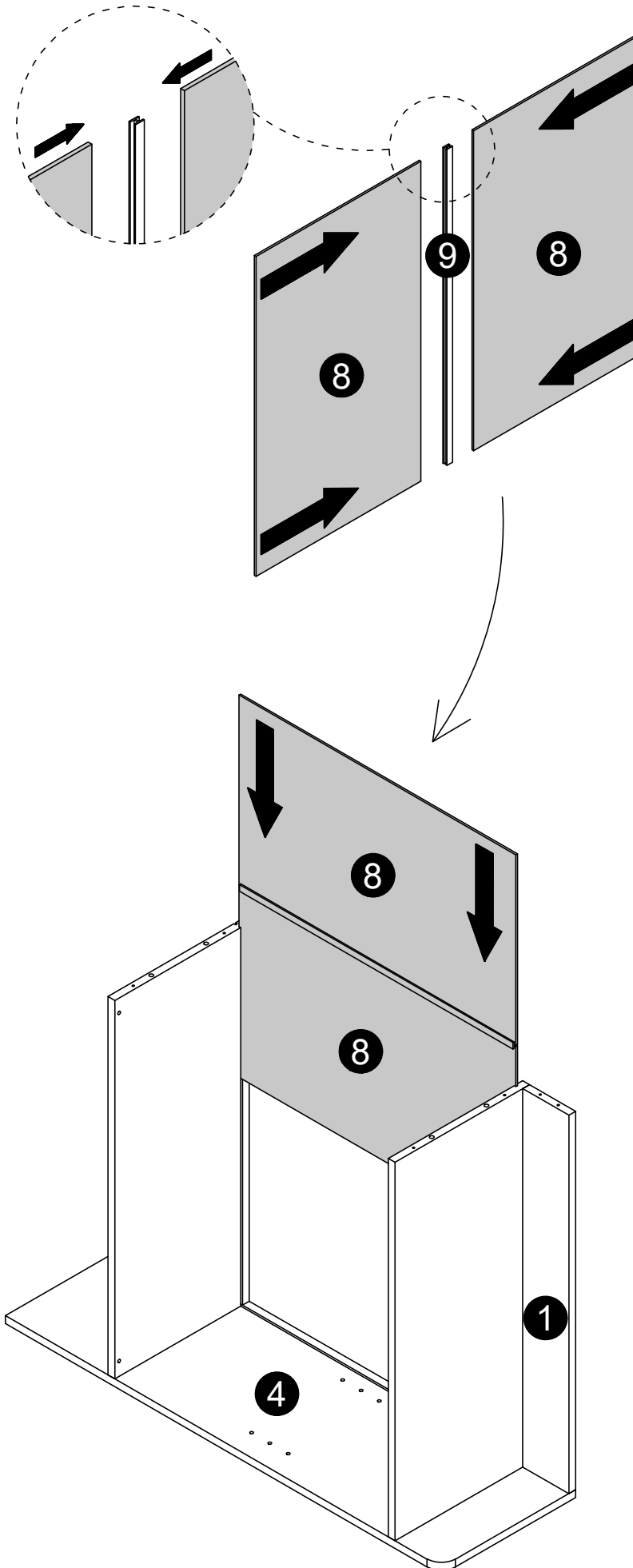
A 6x35mm  x8(+1)	B 15x10mm  x8(+1)	C 6x30mm  x24(+2)	D 6x35mm  x32(+3)	E 3.5x12mm  x4(+2)
F 6x30mm  x2	G 3x16mm G1  G2   x2	H 3x16mm H1  H2  x16(+1)	I 4x14mm I1  I2  x2	J  x4
K 18mm  x24(+2)	L  x6	M  x3	N 4x20mm N1  N2   x2	

Step 1

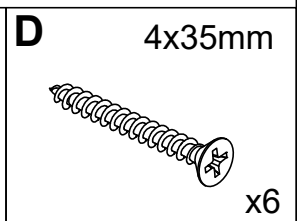
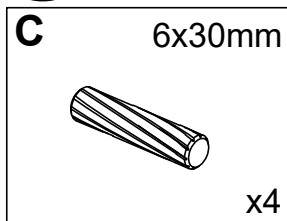
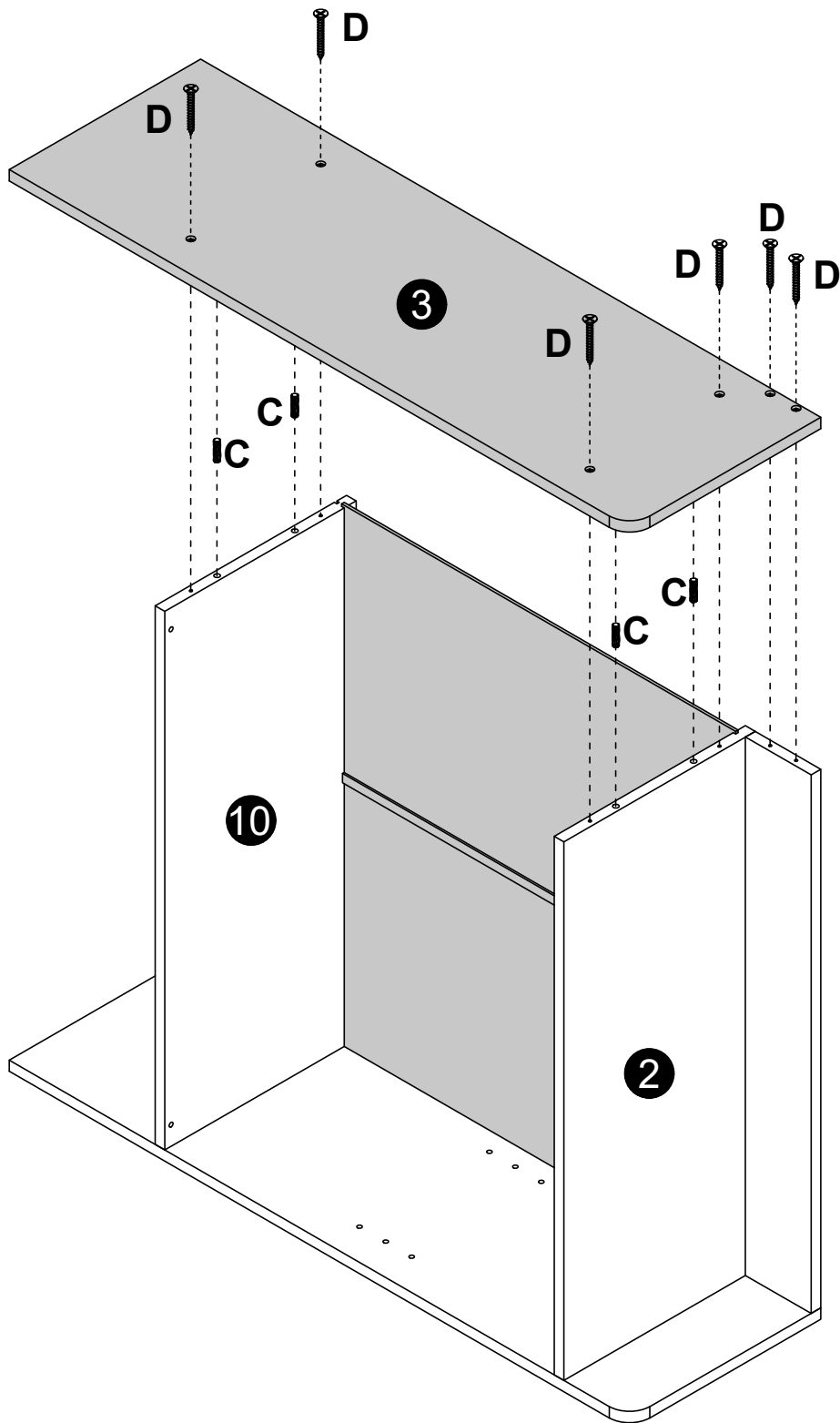


<p>C 6x30mm</p>  <p>x4</p>	<p>D 4x35mm</p>  <p>x6</p>	<p>G 3x16mm</p> <p>G1</p>  <p>G2</p>  <p>x1</p>
--	---	--

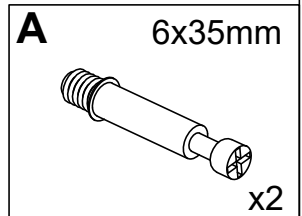
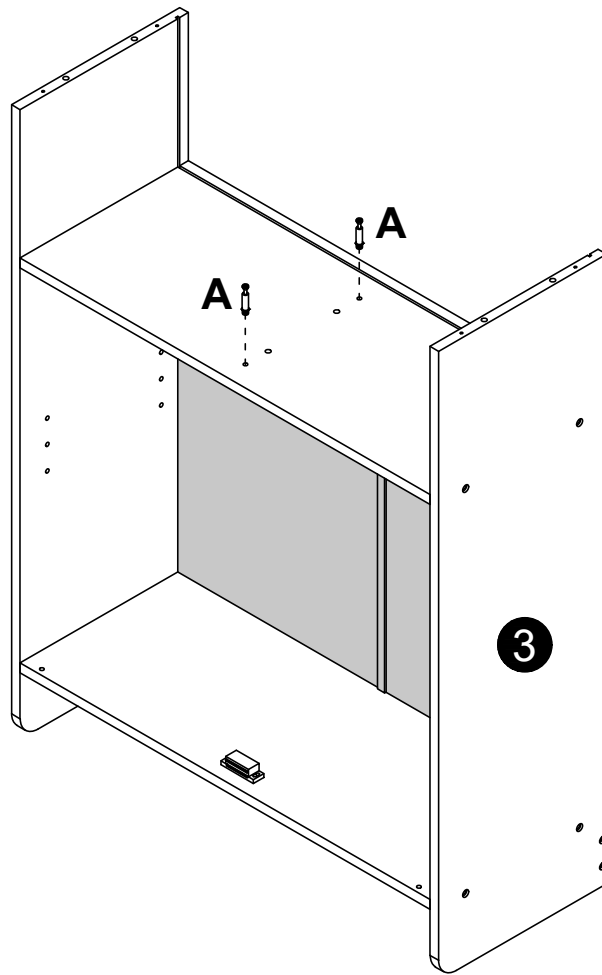
Step 2



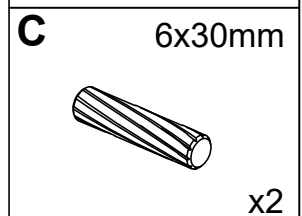
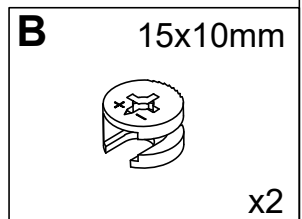
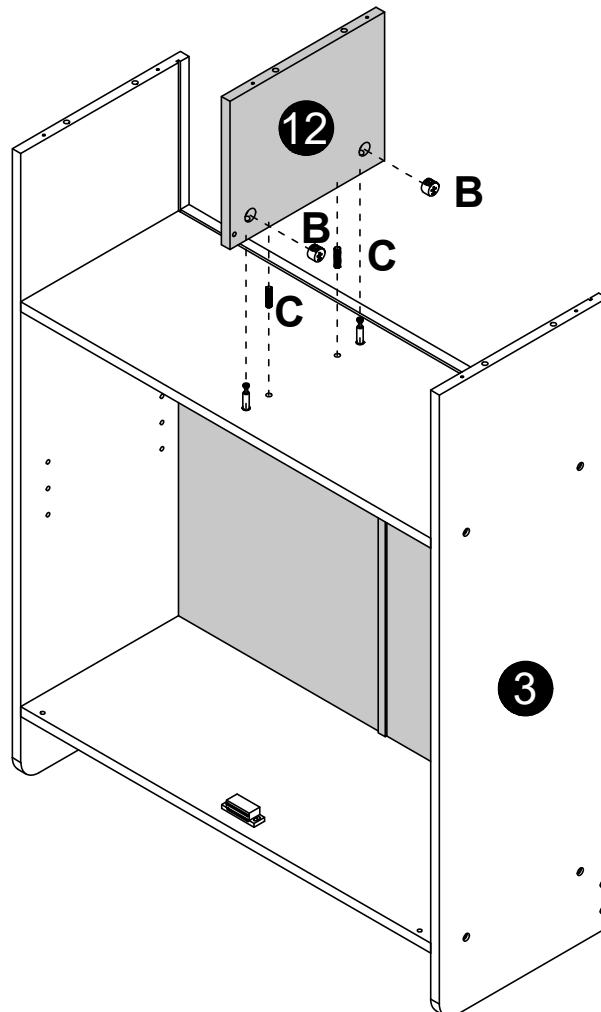
Step 3



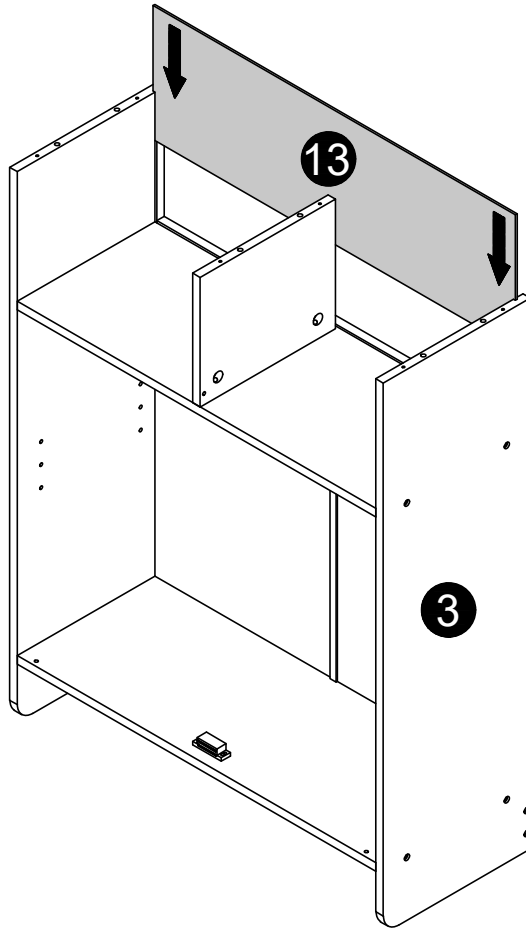
Step 4



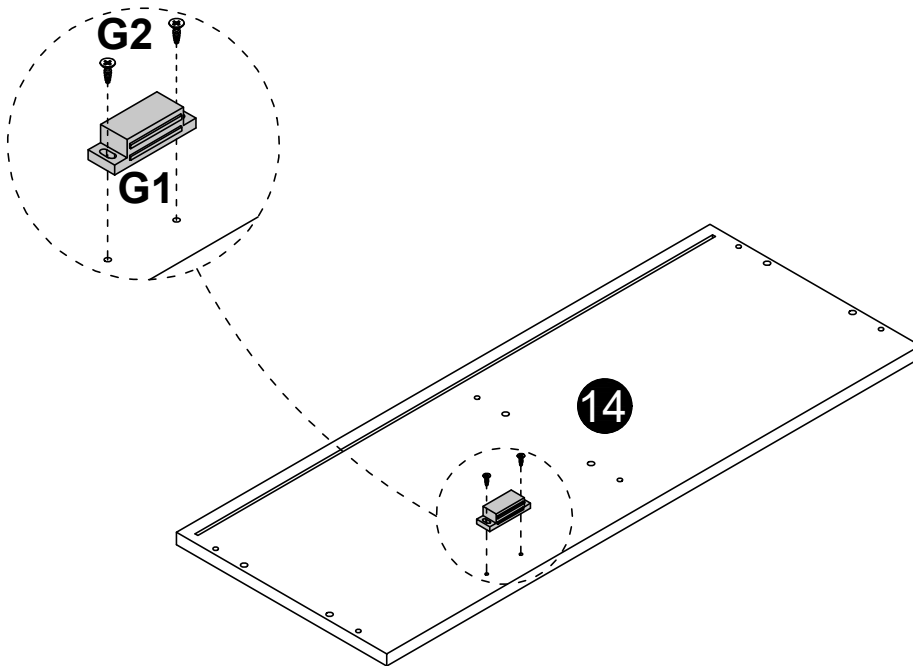
Step 5






Step 6

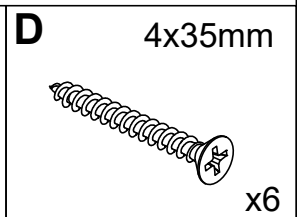
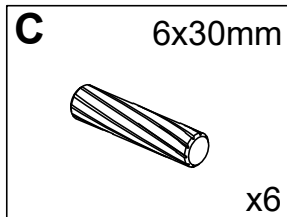
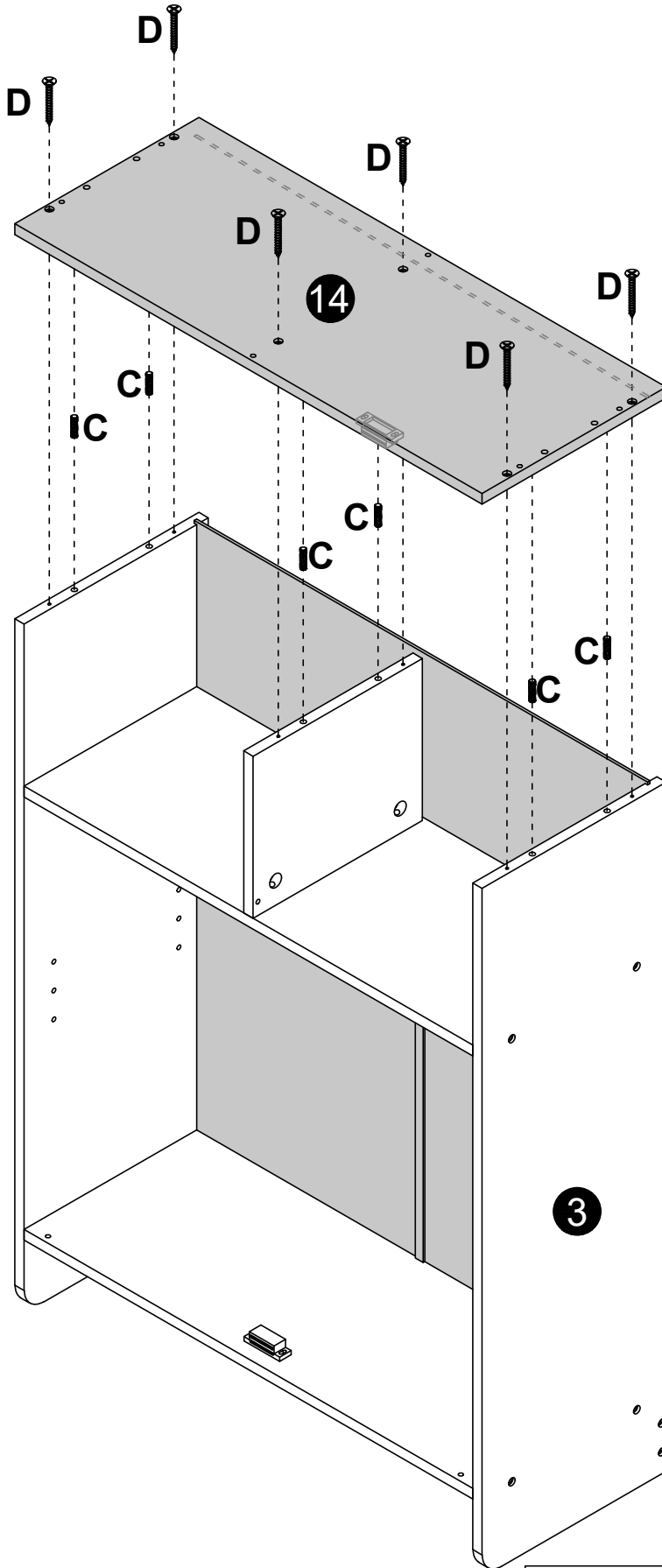


Step 7

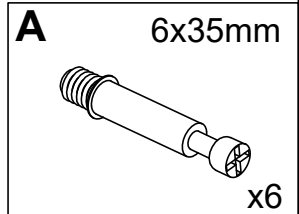
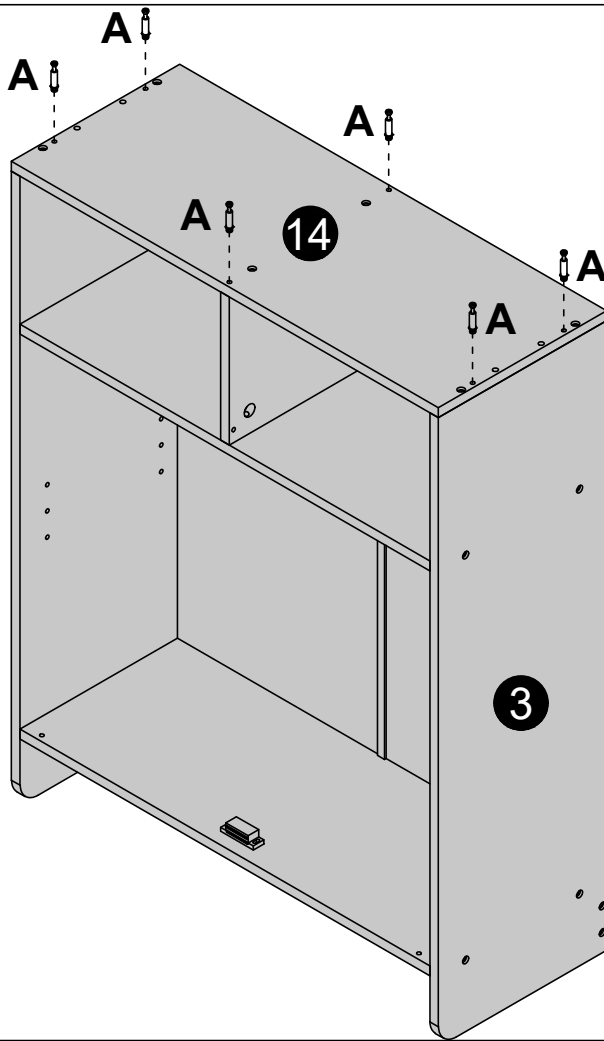


G	3x16mm
G1	G2
	
	
	x1

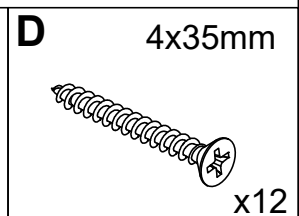
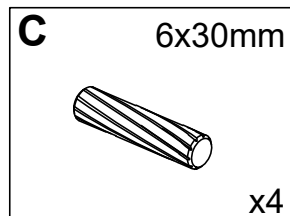
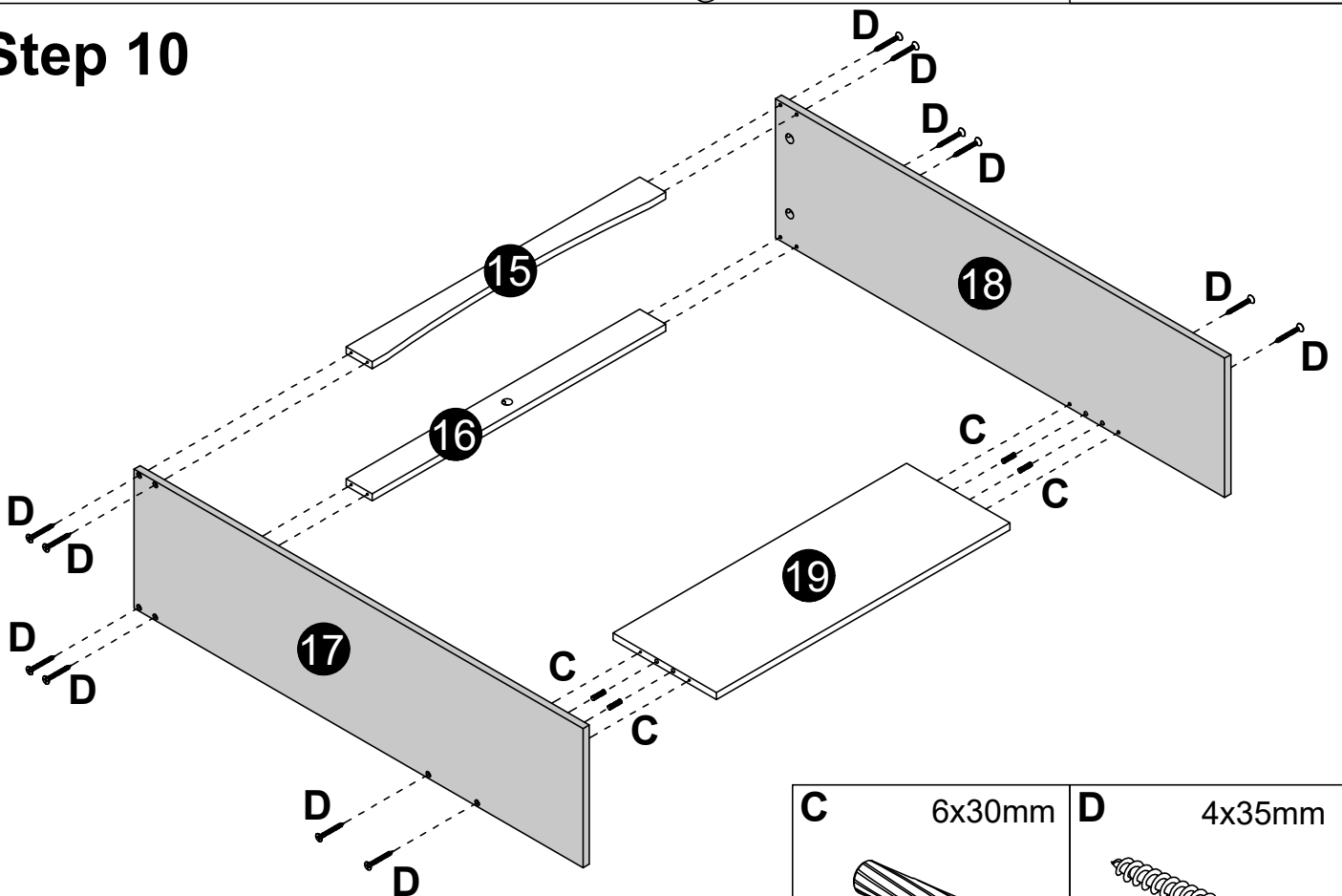
Step 8



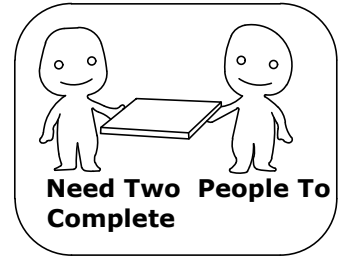
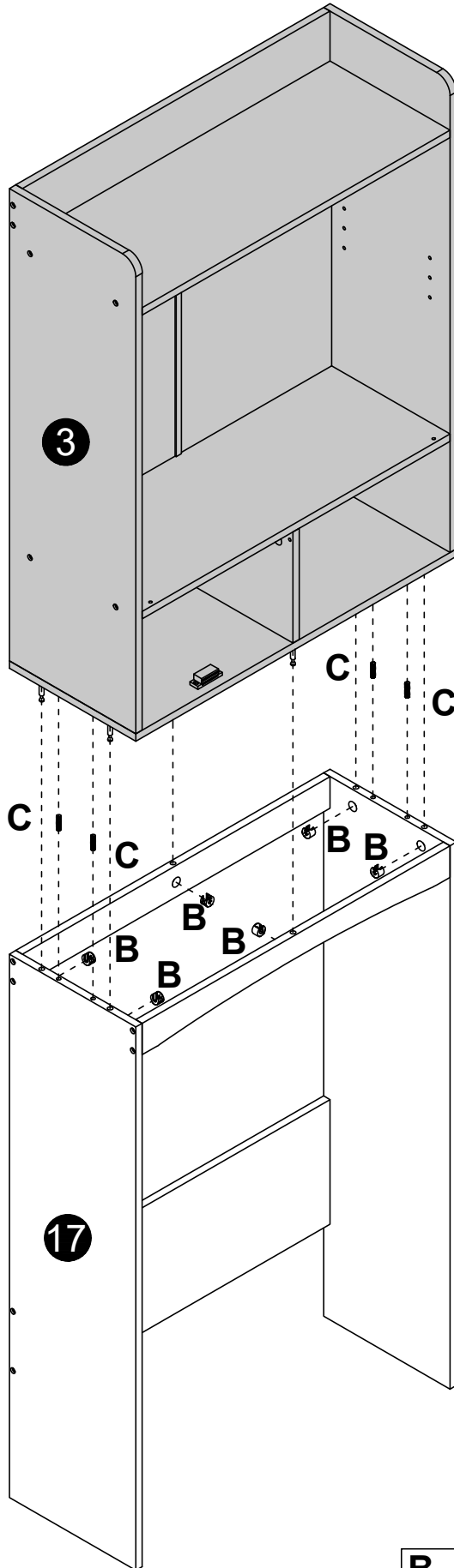
Step 9





Step 10



Step 11

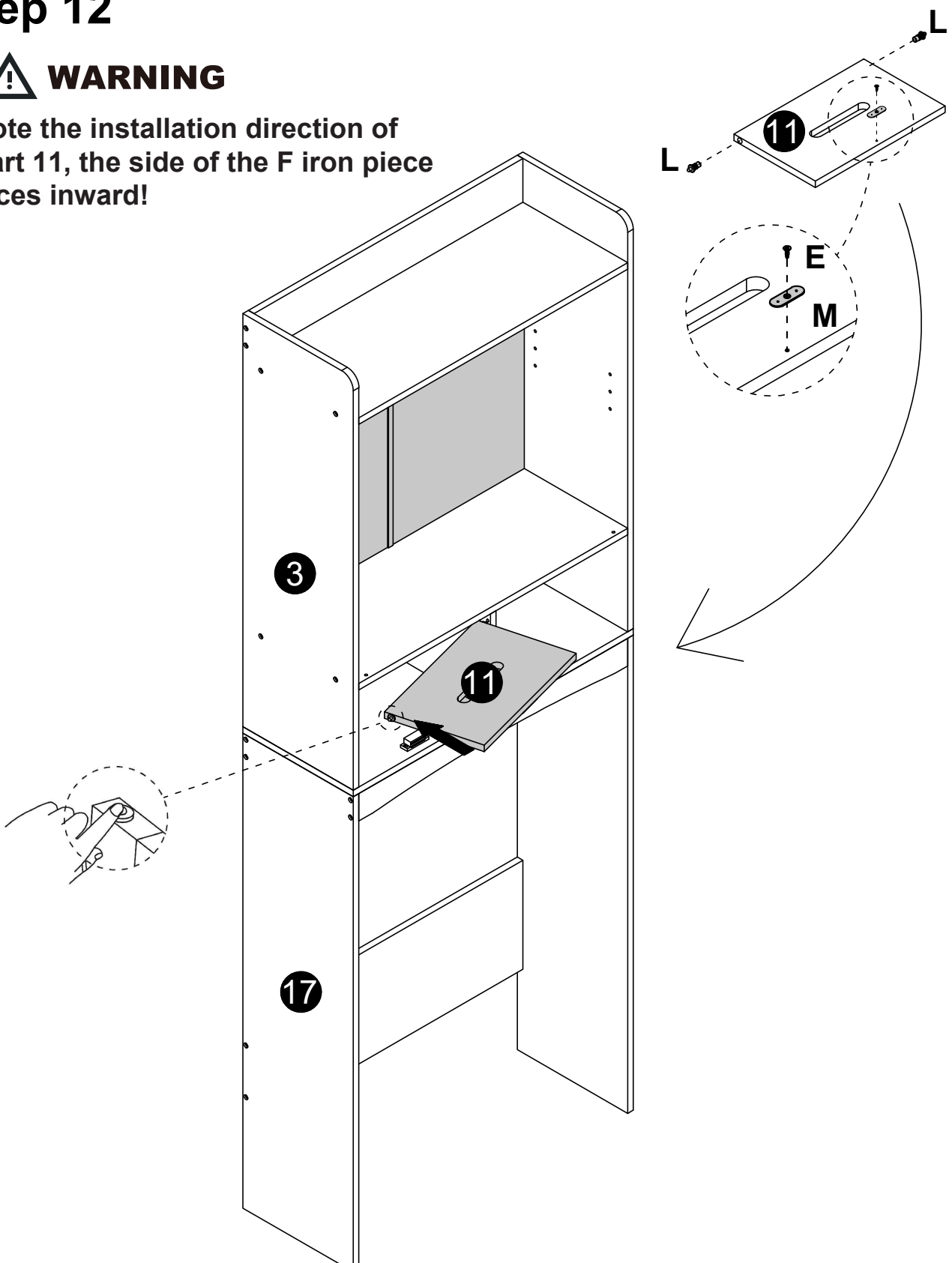





B	15x10mm	C	6x30mm
			
	x6		x4

Step 12

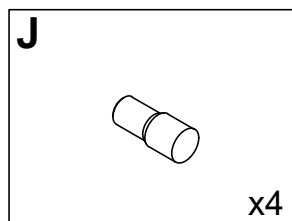
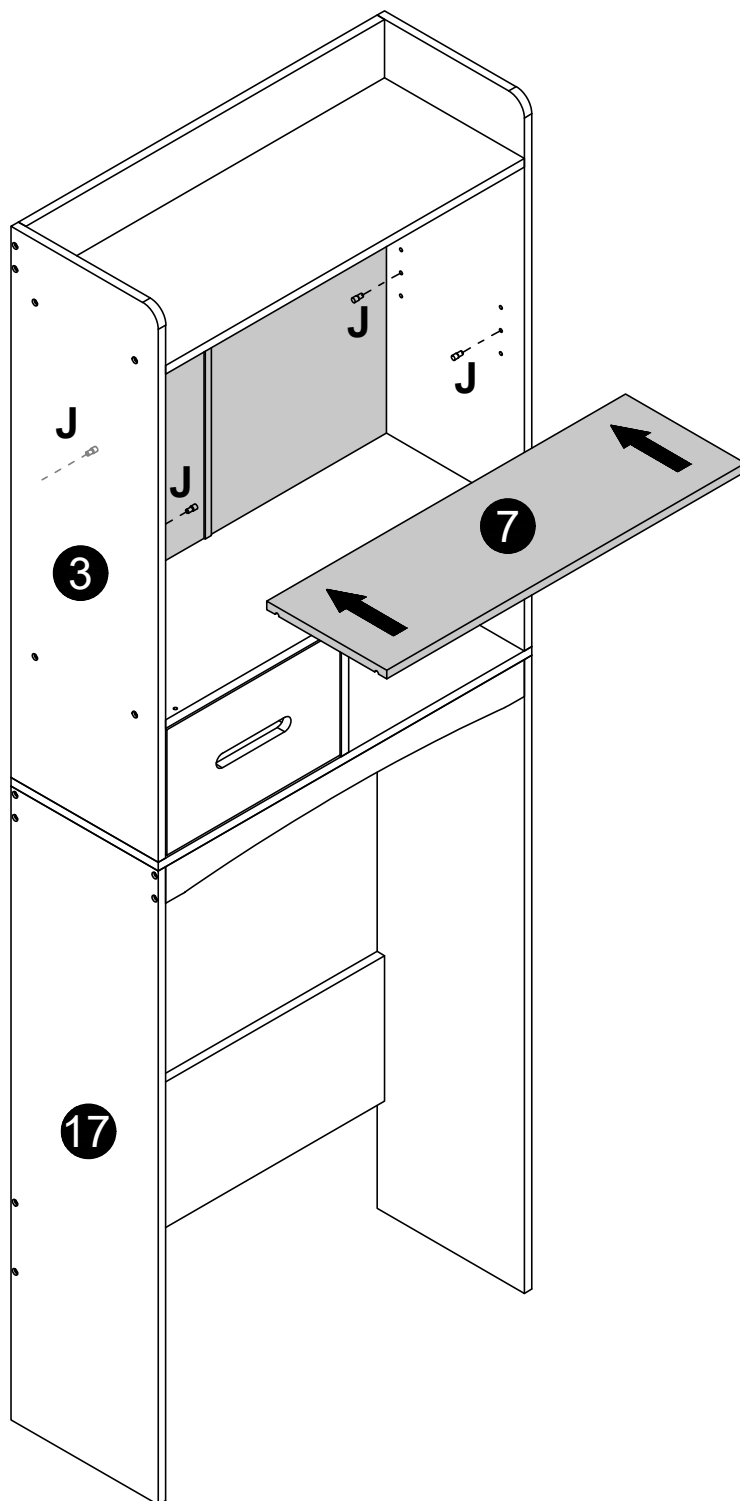
WARNING

Note the installation direction of Part 11, the side of the F iron piece faces inward!

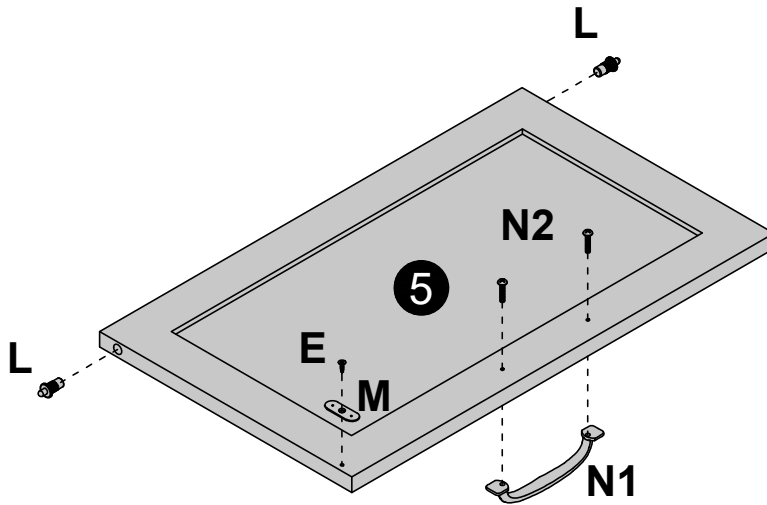







E	3.5x12mm	M	L
			
	x2		x2
		x1	

Step 13

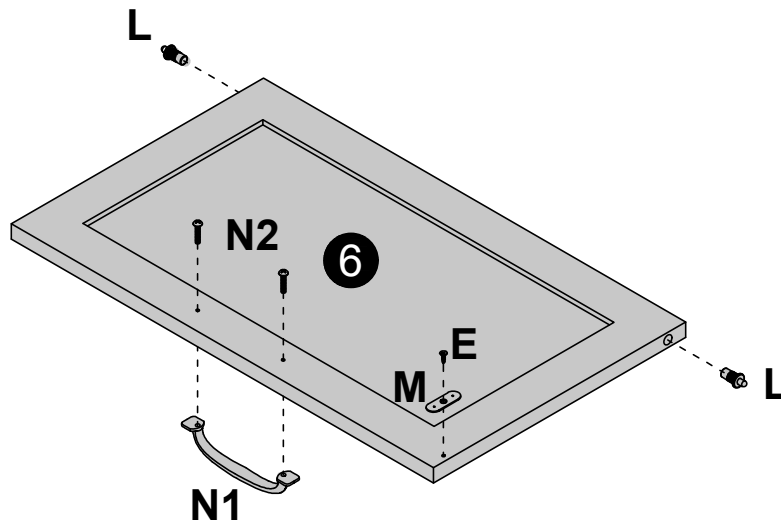





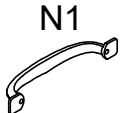

Step 14



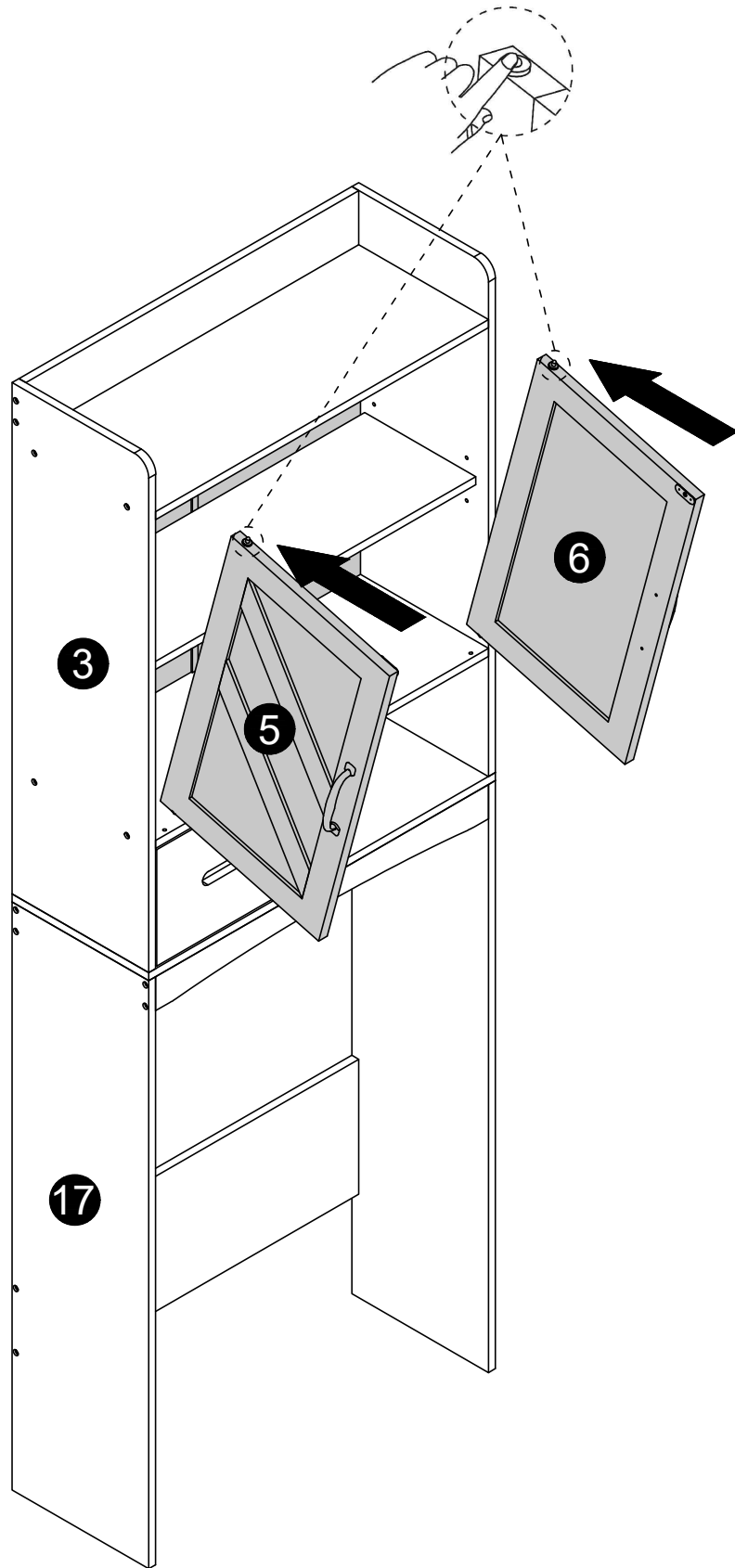
E 3.5x12mm  x1	L  x2	M  x1	N 4x20mm   N1 N2 x1
---	--	--	---

Step 15

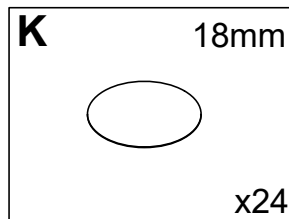
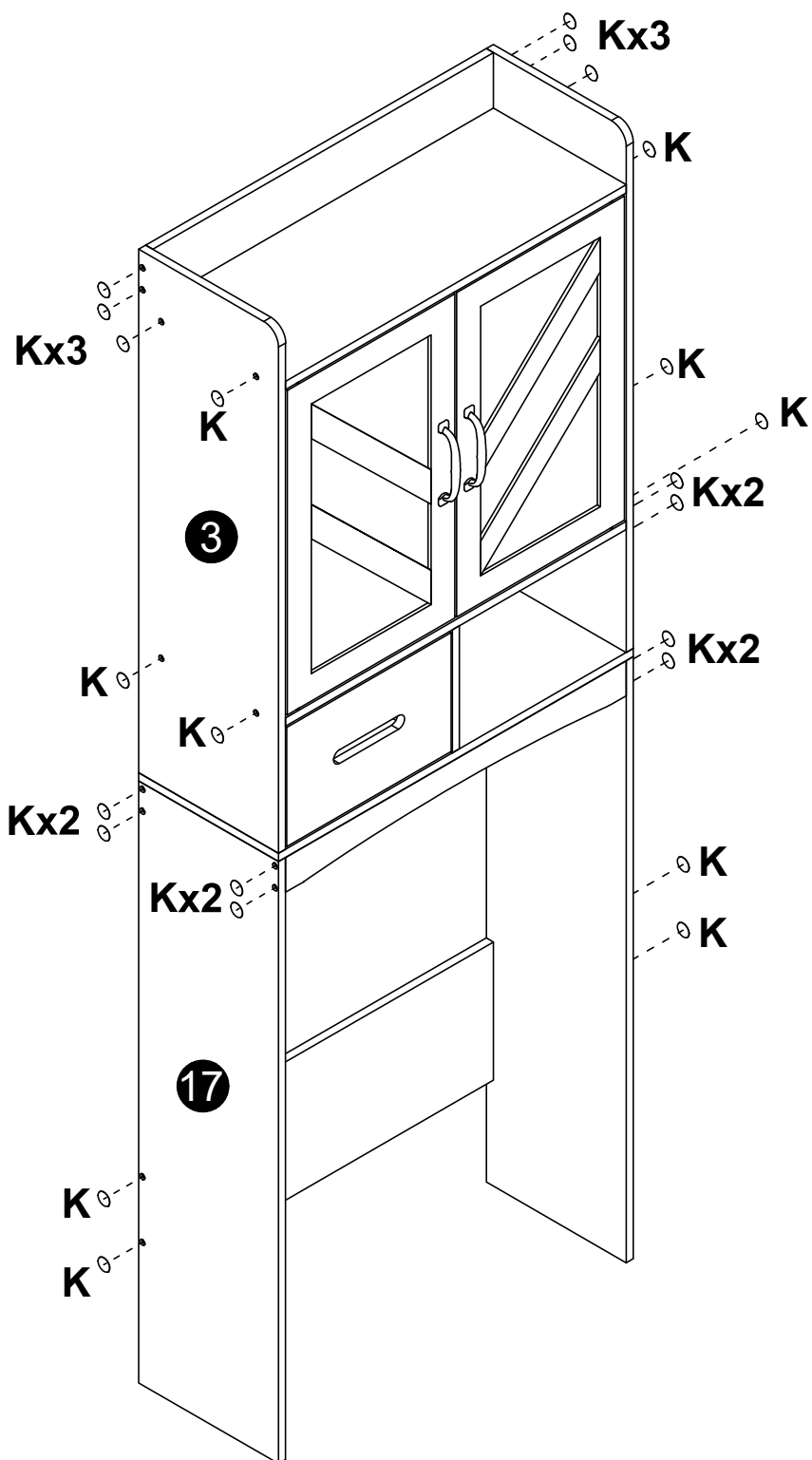


E 3.5x12mm  x1	L  x2	M  x1	N 4x20mm   N1 N2 x1
--	---	---	---

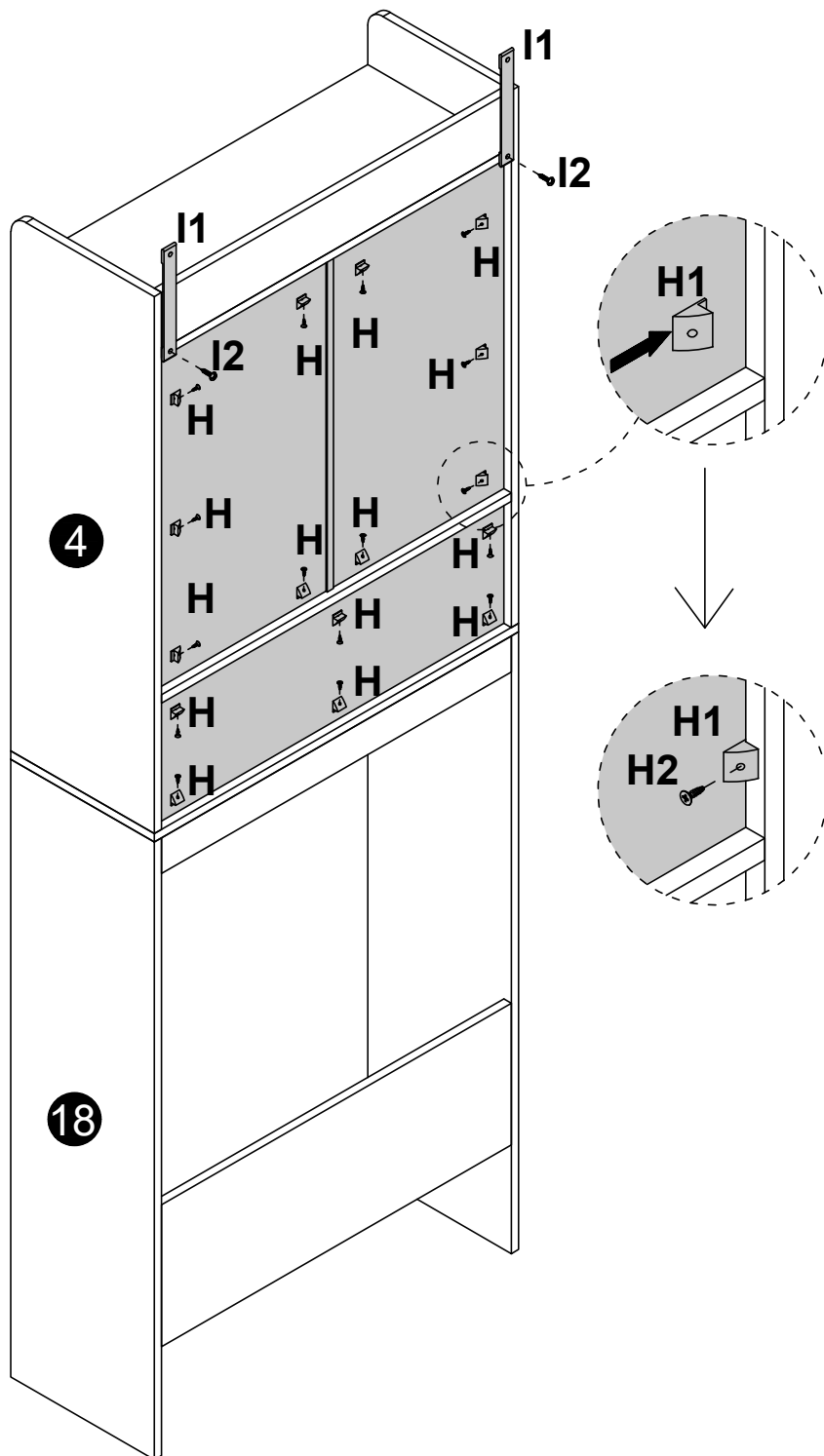
Step 16

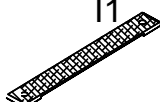
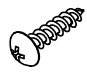




Step 17



Step 18



I	4x14mm	H	3x16mm
I1	I2	H1	H2
			
	x2		x16

Step 19

