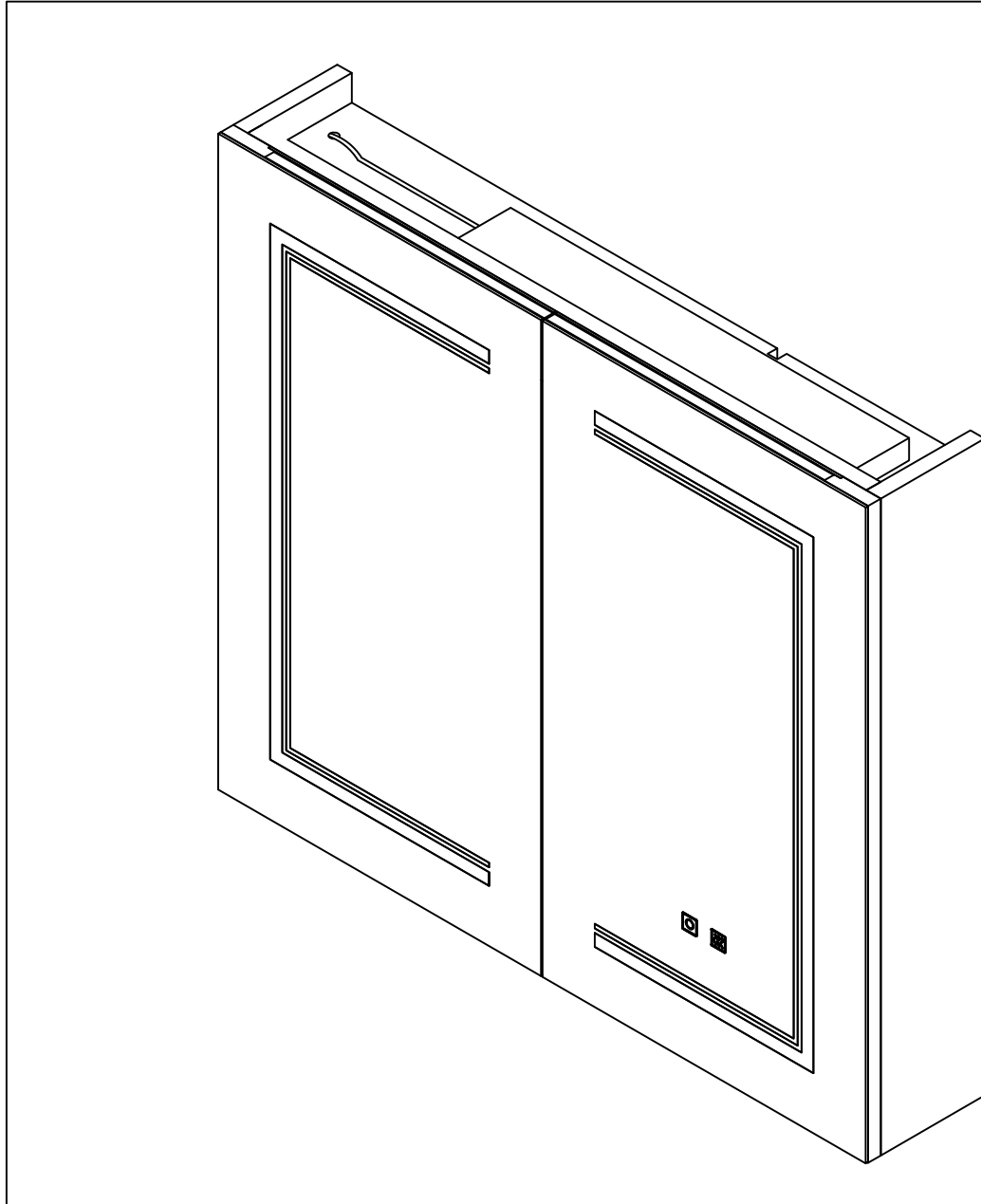
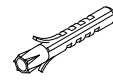

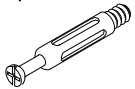

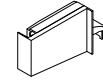

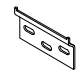




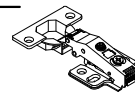

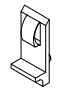
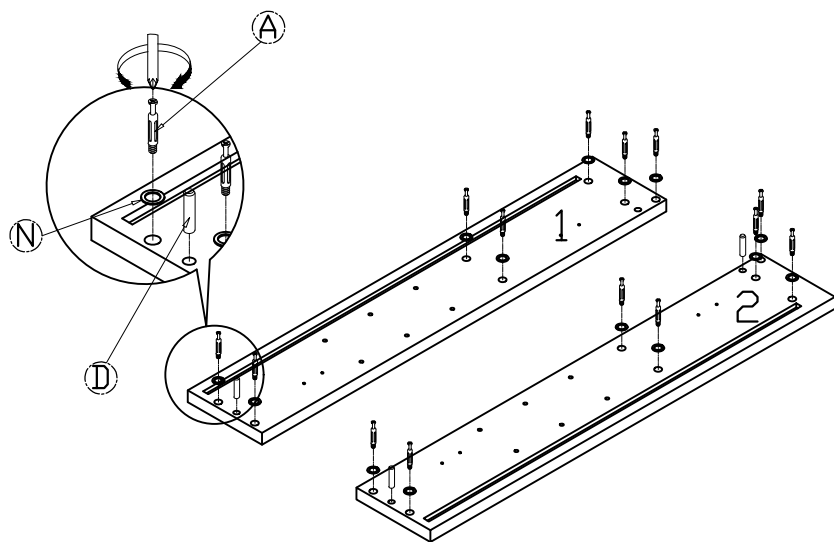


INSTRUCTIONS

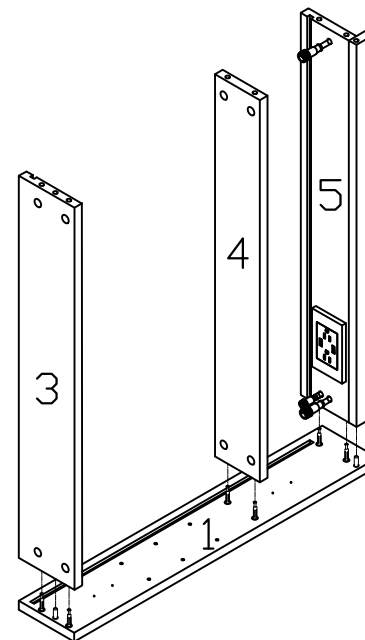


M  X 6	G  φ4*25 X 6	A  X 14
N  X 14	H  X 2	B  X 14
	I  X 2	C  X 14
	J  φ4*14 X 8	D  X 2
	K  φ4*14 X 16	E  X 4
L  φ5*50 X 6	F  X 4	

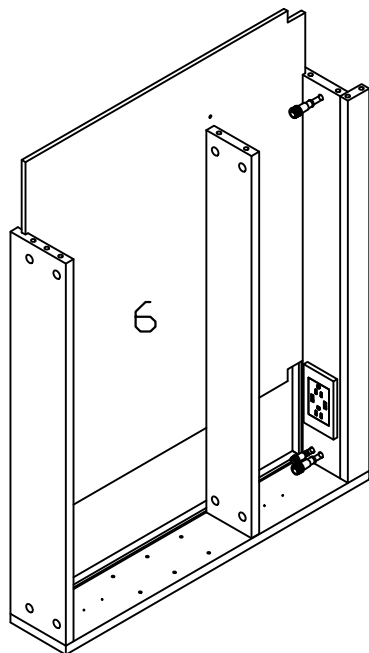
STEP 1



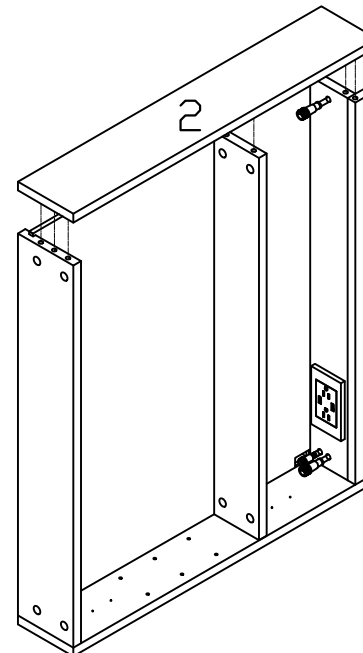
STEP 2



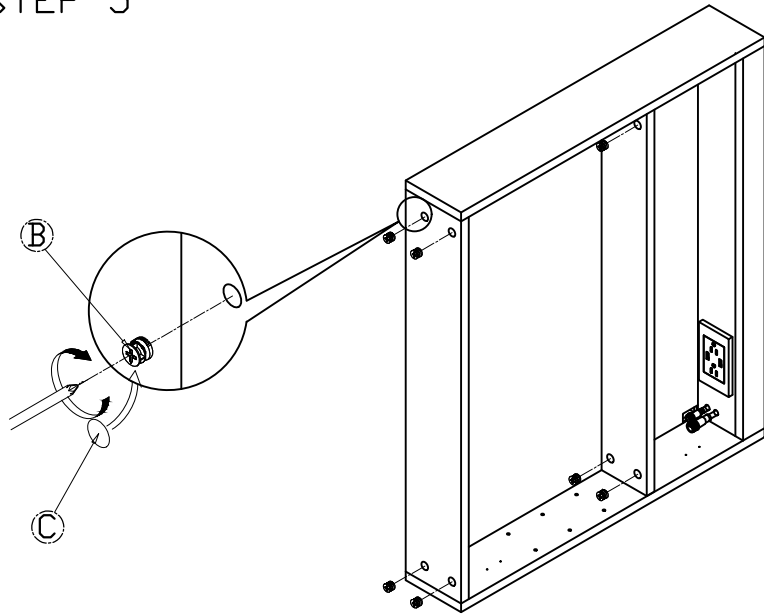
STEP 3



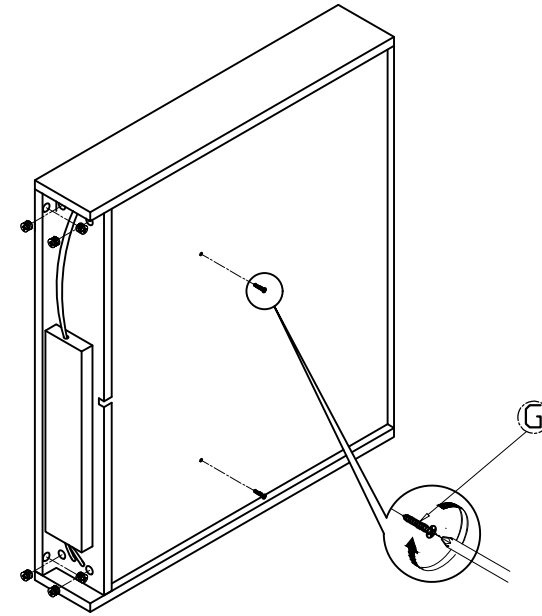
STEP 4



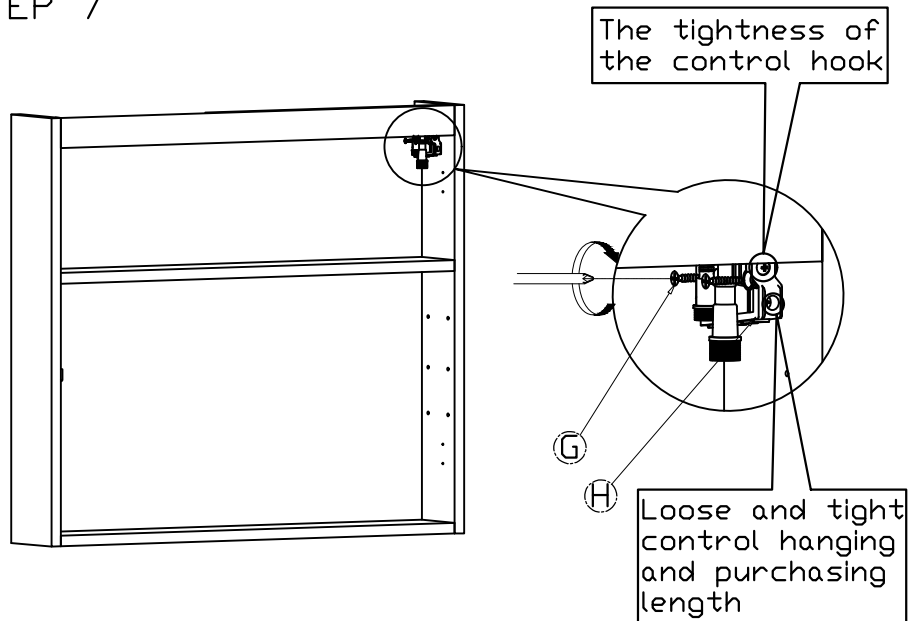
STEP 5



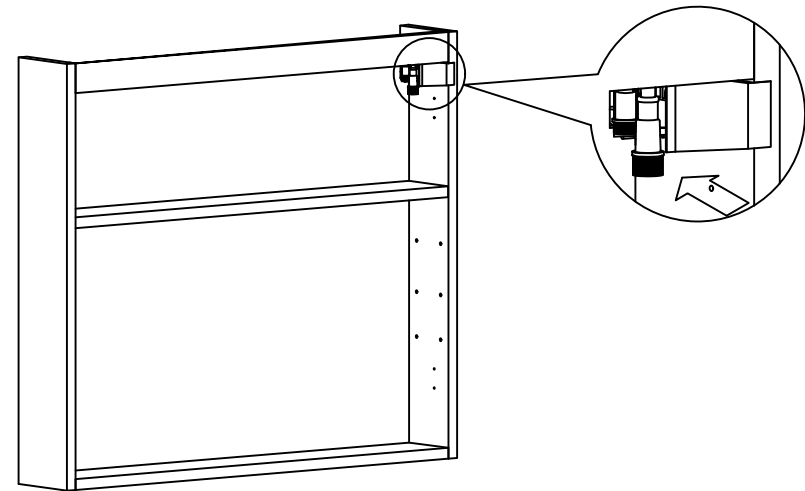
STEP 6



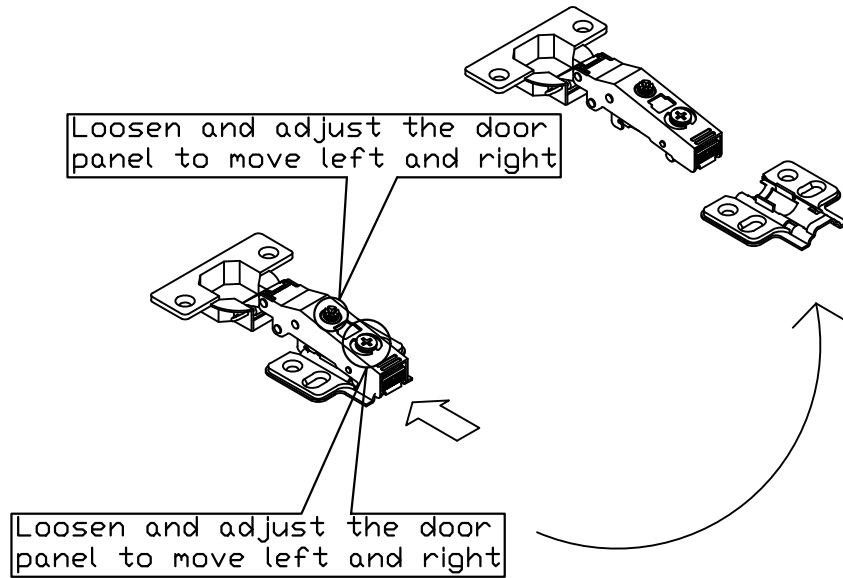
STEP 7



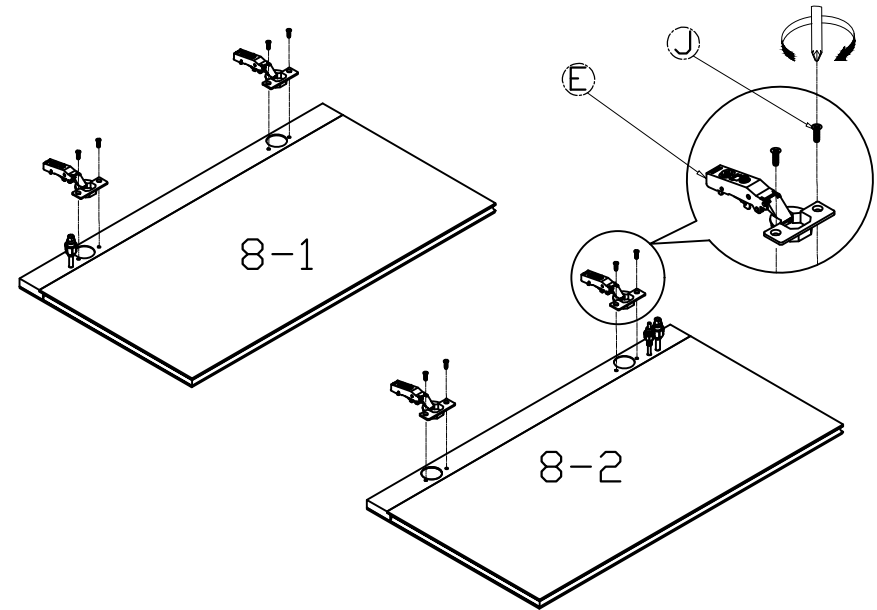
STEP 8



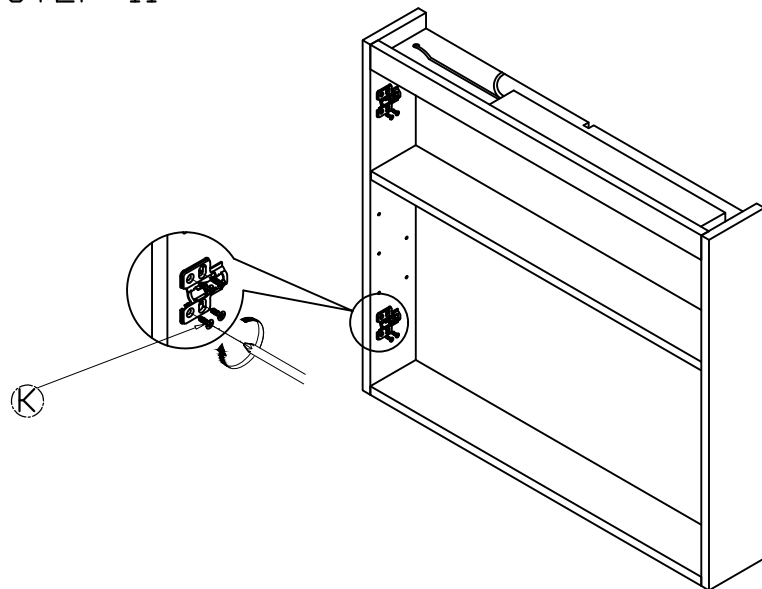
STEP 9



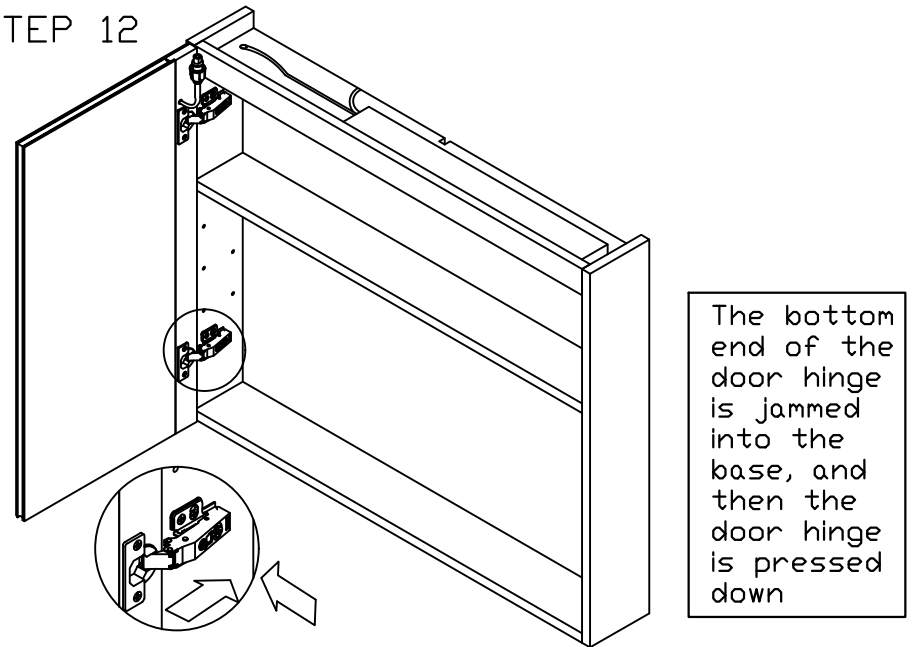
STEP 10



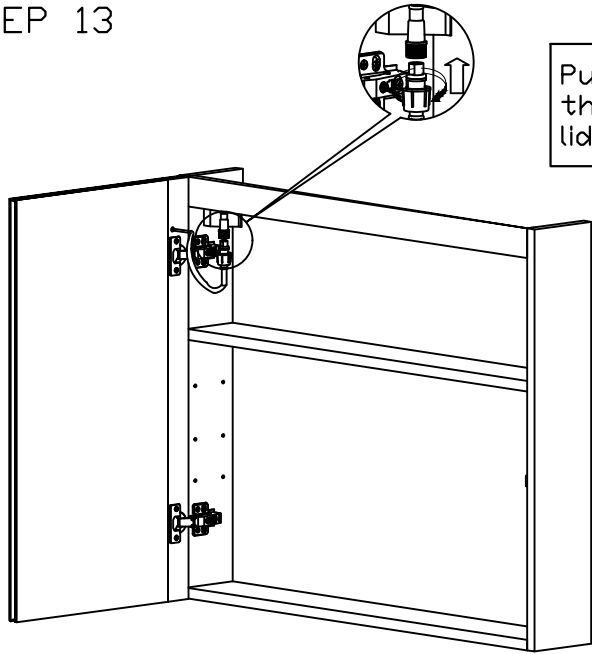
STEP 11



STEP 12

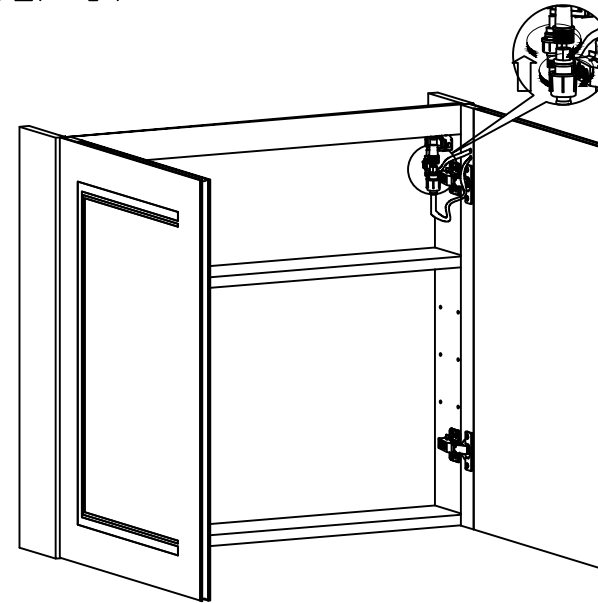


STEP 13



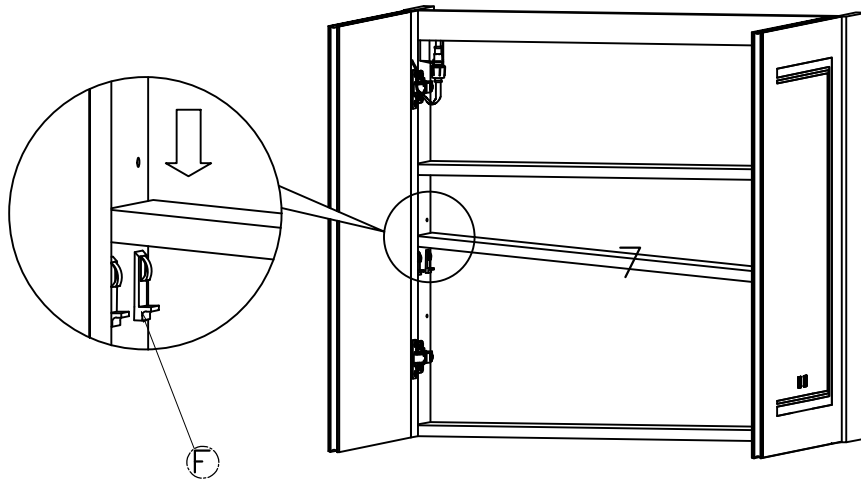
Push it up tight,
then twist the
lid to the right

STEP 14

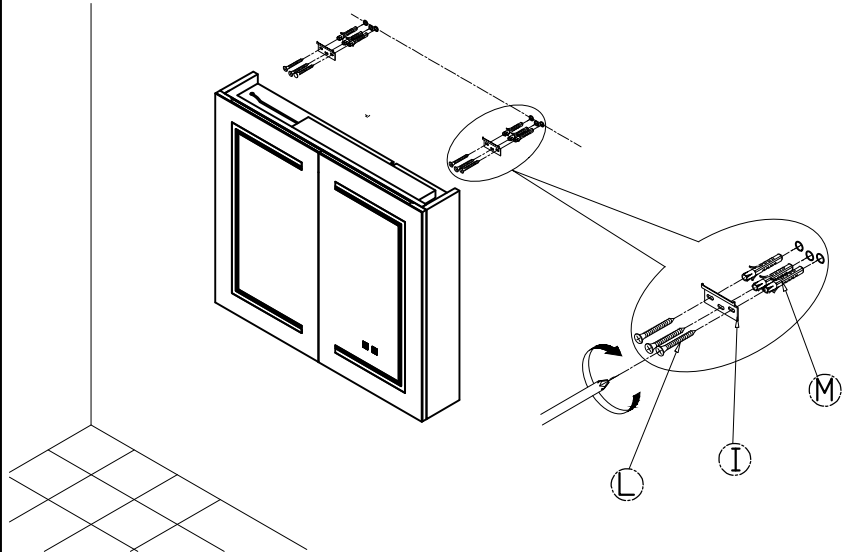


Push it up
tight, then
twist the lid
to the right

STEP 15



STEP 16



OPERATION INSTRUCTION

ON/OFF Function



ON/OFF button

- After plugging in the power supply, the switch will show a dark white light to prove that the power has been connected. After the start of the light switch will show a white light
- Light on with a short touch on the switch and continue short touching within 10 seconds to change color temperature from 3000k, 6500k, and 4000k to light off.
- When the light is on, long press the switch to change brightness.
- You can change the color temperature to any one of the three by short touching no matter whether you have changed the brightness. With no operations in 10 seconds except defogging, the light can be off by short touch on the switch. In this case, you can still change the brightness by pressing. The color temperature and brightness can be remembered when closed.
- Memory storage function, it remembers the last open light color temperature and brightness. memory function.

Dimmer Function



Press and hold on for 3-5 seconds



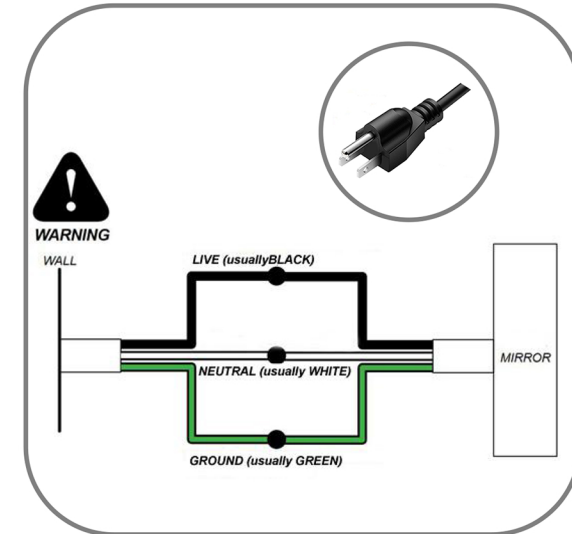
- Press the ON/OFF button and hold on for 3-5 seconds to active the dimmer function.
- Finish setting by withdrawing your finger when brightness reaches the level you need.
- Optional to be wired to wall switch with brightness memory.

Anti-Fog Function



Defogger button

- Mirror begins to be warm and defog after pressing the defogger button. Press again to quit the anti-fog function.
- Note: Each time pressing the button, you will hear a short voice of puff. No worries, it is normal condition.



- We provide plug with mirrors.
- Optional to cut the plug directly and connect to electrical wiring if using wall switch.