

**IMPORTANT!! PLEASE READ ENTIRE  
INSTRUCTION SHEET BEFORE ASSEMBLY!!**

**Swing**

**Identify all parts packed in the carton against the parts list. Remove all protective materials. Place parts on a non-abrasive surface. If you are missing any parts or Are unsure how to proceed with assembly, please call customer service center**

























**Do not attempt to assemble the product if any parts are missing or damaged.**

**ATTENTION: THIS PRODUCT IS NOT FOR COMMERCIAL USE  
INTENDED FOR RESIDENTIAL USE ONLY.**

- ⚠ Use the correct bolts as indicated. Do not tighten any of the bolts until the swing is completely assembled.
- ⚠ Do not discard of any of the packaging until you have checked that you have all of the parts and fittings required.
- ⚠ Keep children away during assembly. This item contains small parts that can be swallowed by children. Children should always be under direct adult supervision while using this product.
- ⚠ Retain these assembly instructions for future reference.

**Special Warnings**

1. The user of this swing should always inspect it before each use.
2. It is essential to place this swing on level ground and not less than 6 feet away from any obstruction; such as fences, garages, houses, overhanging branches, laundry lines, or electrical wires.
3. Check the tightness of all of the nuts and bolts on a regular basis.
4. Make sure that the suspension springs are properly secured before each use.
5. Always remove the canopy in heavy wind conditions. Otherwise, the swing may tip over and cause damage to its parts.
6. The manufacturer will not accept responsibility for unauthorized repairs or modifications to the swing or its parts.
7. Oil all of the metal parts that move regularly.
8. The weight limit is 500 lbs.

| Parts List |                          |   |   |               |                                 |  |              |
|------------|--------------------------|---|---|---------------|---------------------------------|--|--------------|
| A          | Swing Front Leg          |    | 2 | B             | Swing Rear Leg                  |             | 2            |
| C          | Top Cross Beam           |    | 1 | D             | Swing Arm Tube                  |             | 4            |
| E          | Lateral Cross Brace      |    | 2 | F             | Swing Seat                      |             | 1            |
| G          | Swing Arm                |    | 2 | I             | Swing Back                      |             | 1            |
| J          | Rear Leg Cross Brace     |    | 1 | K             | Front/Rear Canopy Brace         |             | 2            |
| L          | Side Canopy Brace        |    | 2 | M             | Canopy                          |             | 1            |
| N          | Seat cushion             |    | 2 | O             | Back cushion                    |             | 2            |
| AA         | Adjustable Plastic Screw |    | 2 | BB            | Bolt(M6*75)                     |             | 8            |
| CC         | Suspension Spring        |    | 2 | DD            | Bolt(M6*90)                     |             | 4            |
| EE         | Bolt(M6*25)              |    | 4 | <del>FF</del> | <del>PE Washer (M6 x 5mm)</del> | <del></del> | <del>4</del> |
| GG         | Bolt(M6*50)              |    | 4 | HH            | PE Washer (M6 x 15mm)           |             | 8            |
| II         | Bolt(M6*60)              |    | 4 | JJ            | Metal Washer                    |             | 56           |
| KK         | Bolt(M6*65)              |  | 4 | LL            | Nut                             |           | 28           |
| NN         | Hex Wrench               |  | 1 | PP            | Allen Wrench                    |           | 1            |

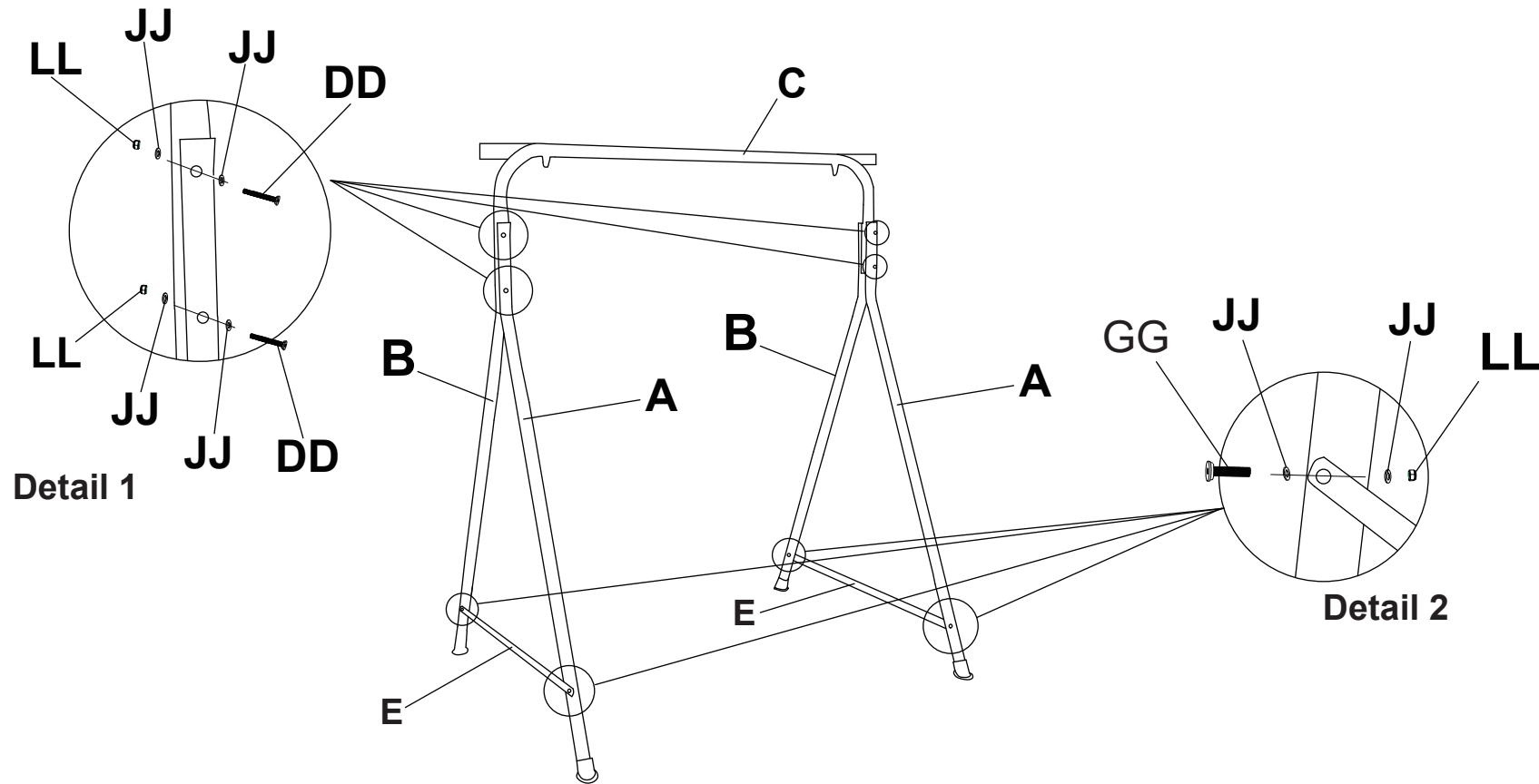


Step 1

Place the Swing Legs (A &B), Top Cross Beam (C) Lateral Cross Brace (E) on a flat ,soft surface.

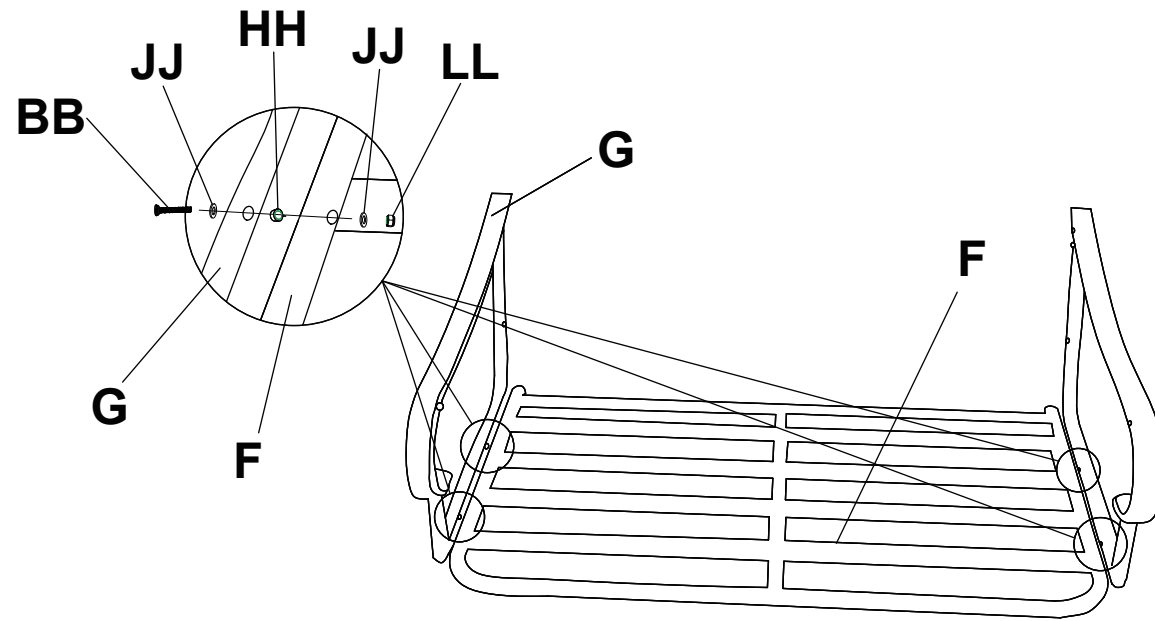
Attach Top Cross Beam (C) to Swing Legs (A&B) by using Bolts (DD) with Metal Washers (JJ) and Nuts (LL). see detail 1 .

Attach Lateral Cross Brace (E) to Swing Legs (A&B) by using Blots (GG) with Metal Washers(JJ) and Nuts(LL). see detail 2 .



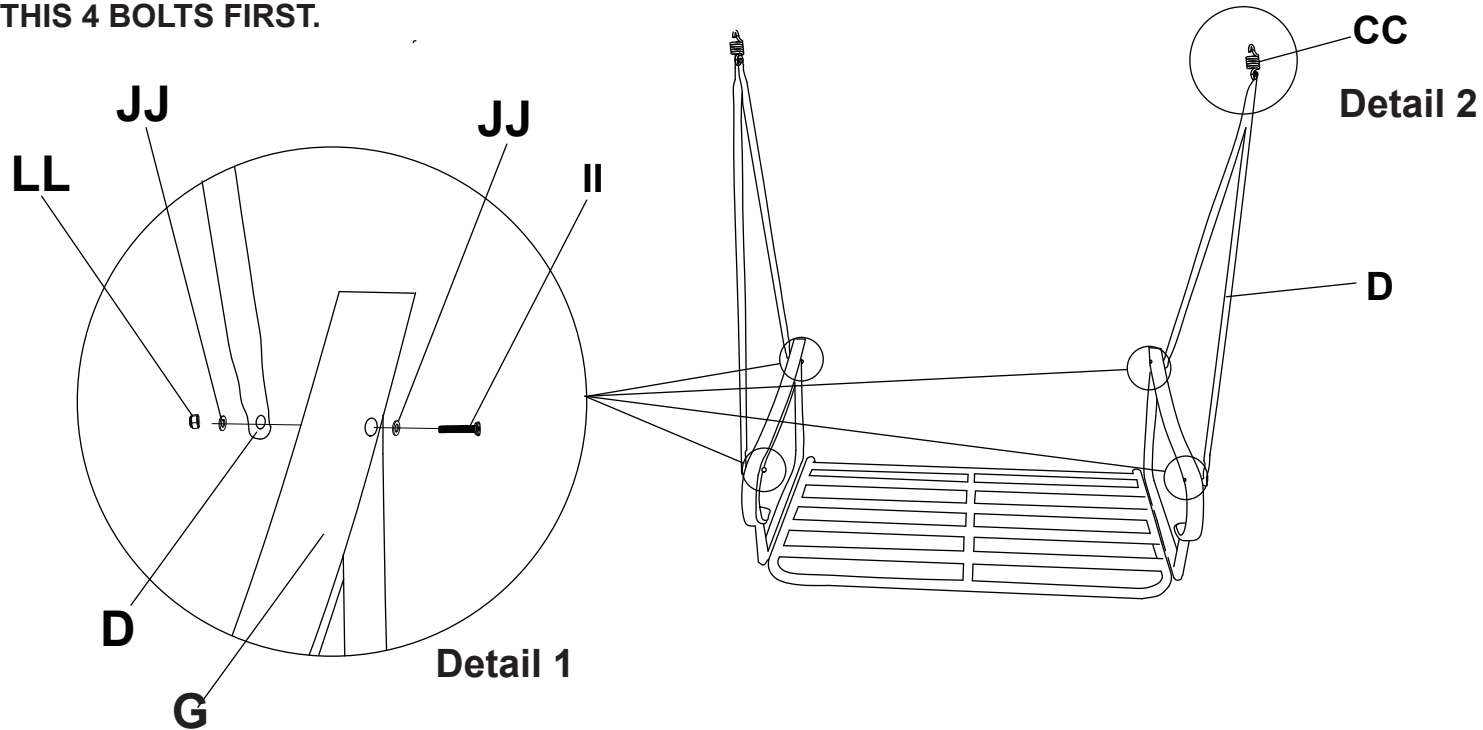
### Step 2

Place the Swing Arms(G), Swing Seat (F) on a flat ,soft surface. Attach the Swing Arms (G) to Seat (F) by using Bolts(BB) with Metal Washers (JJ),PE Washers (HH) and Nuts(LL). In order of Bolt(BB),Metal Washer(JJ),Swing Arm(G),PE Washer (HH),Seat(F),Metal washer(JJ),Nut(LL).



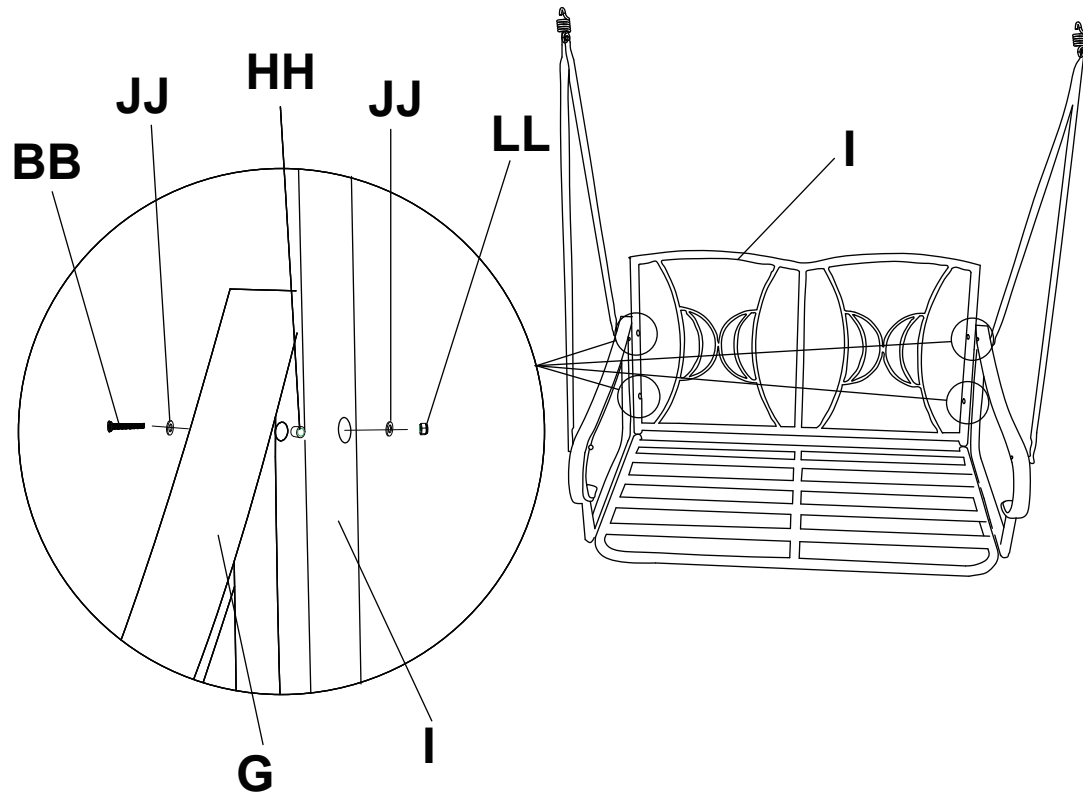
### Step 3

Attach the Lateral Cross Brace (D) to the Arms(G) by using Bolts(II) with Metal Washers (JJ) and Nuts (LL). In order of Bolt (II),Metal Washer(JJ),Swing Arm(G),, Swing Arm Tube(D),Metal Washer(JJ),Nut(LL),See detail 1. Hook the Suspension Springs (CC) into the top of both holes in the Swing Arm Tubes (D). See detail 2. **PLEASE TIGHTEN THIS 4 BOLTS FIRST.**



**Step 4**

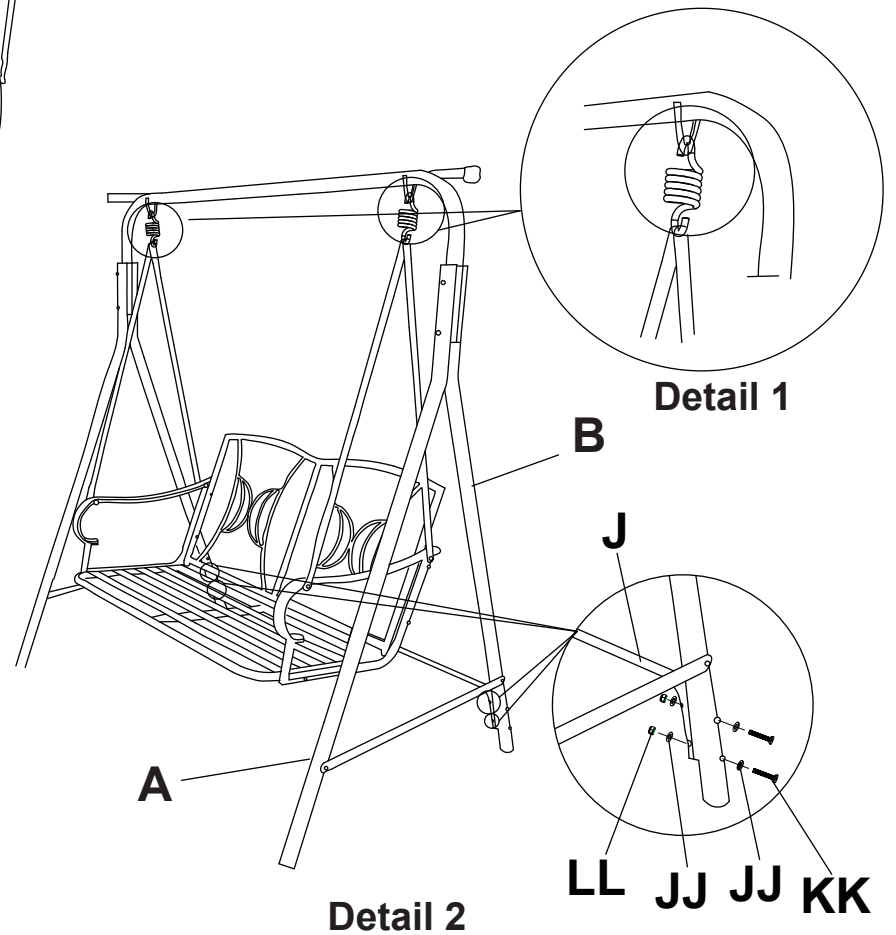
Attach the Swing Back (I) to Arms (G) by using Bolts (BB) with Metal Washer(JJ),PE Washers(HH) and Nuts (LL).  
In order of Bolt(BB),Metal Washer(JJ),Swing Arm(G) ,PE Washer(HH),Swing Back(I)Metal washer(JJ),Nut(LL).



**Step 5**

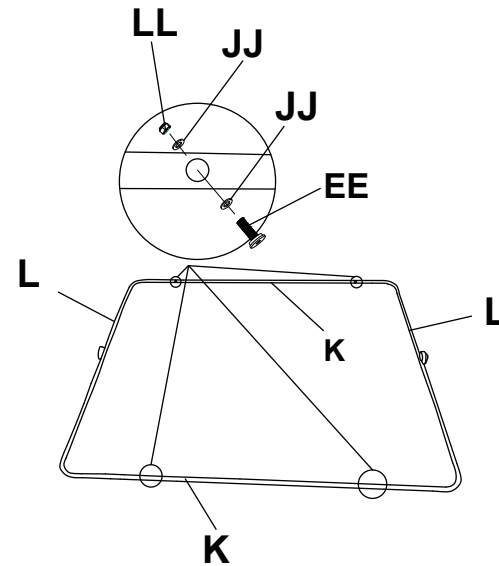
Hang the Assembled seat to Top Cross Beam (C) by using Suspension Springs (CC).See detail 1.

Attach the Rear Leg Cross Brace (J) to the Legs (A&B) by using Bolts (KK) with Metal Washers(JJ) and Nuts( LL).  
See detail 2.



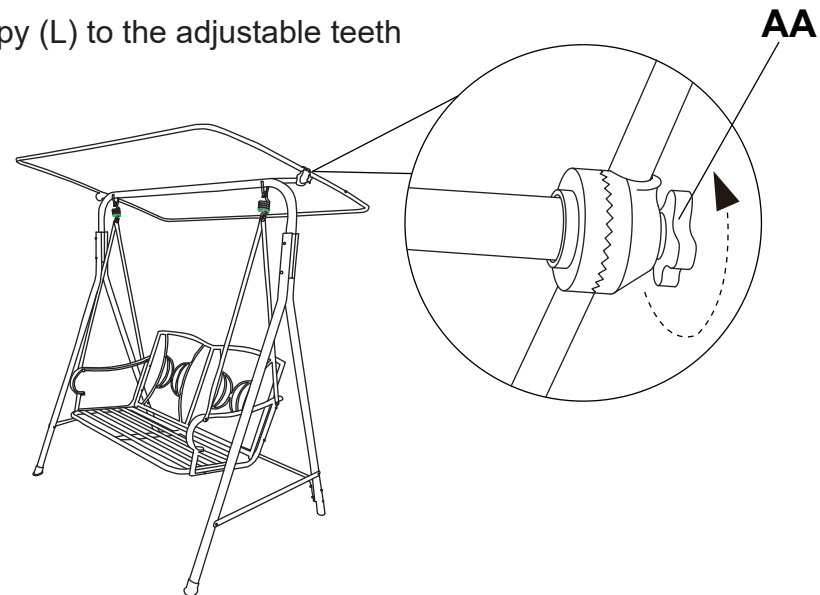
## Step 6

Insert the Front /Rear Canopy Support Brace (K) to the Side Canopy Brace (L),then connect them by using Bolts(EE) with Metal Washers (JJ) and Nuts(LL).



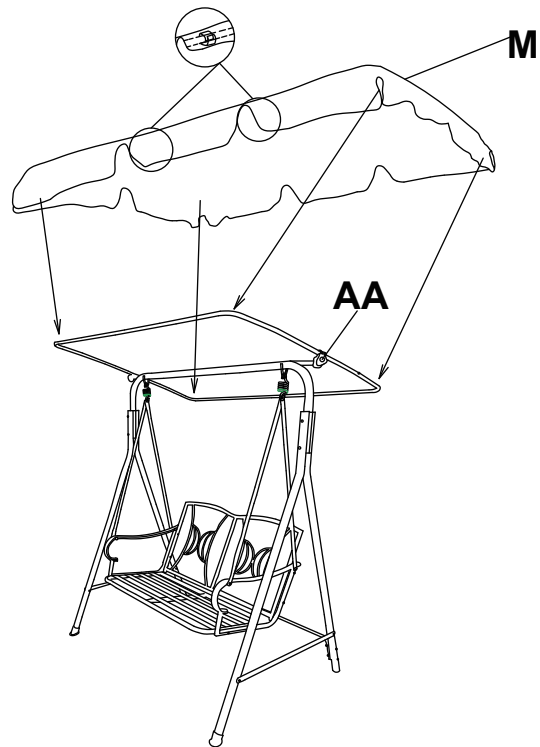
## Step 7

With another person's help, fasten the teeth on the Side Canopy (L) to the adjustable teeth on the Top Cross Beam (C) by using a Plastic Screw (AA)



### Step 8

Place the Canopy (M) to the Assembled Swing top and fix the Canopy(M)to assembled Swing top by using Velcro.



### Step 9

Place the Seat Cushion (N) and Back Cushion (O) to the assemble Swing Seat.  
Your Swing is now ready for use.

