

## WARNING

- \* Switch off the main electrical supply from the main fuse box / circuit breaker before installation.
- \* Inspect item carefully before attempting to install.
- \* If there is any damages or obvious defects, do not install.
- \* Item may not be returned once it has been installed.


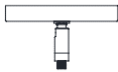
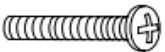




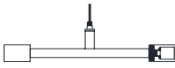


## CARE AND MAINTENANCE

- \* To clean the outside of the fixture, use a dry or slightly dampened clean cloth (use clean water, never a solvent) to wipe the surface of the fixture.
- \* To clean the inside of the fixture, first disconnect power to the fixture by turning off the circuit breaker or by removing the fuse at the fuse box. Next, use a dry or slightly dampened clean cloth (use clean water, never a solvent) to wipe the interior surface of the fixture.
- \* Do not use any cleaners with chemical, solvents or harsh abrasives. Use only a dry soft cloth to dust or wipe carefully.

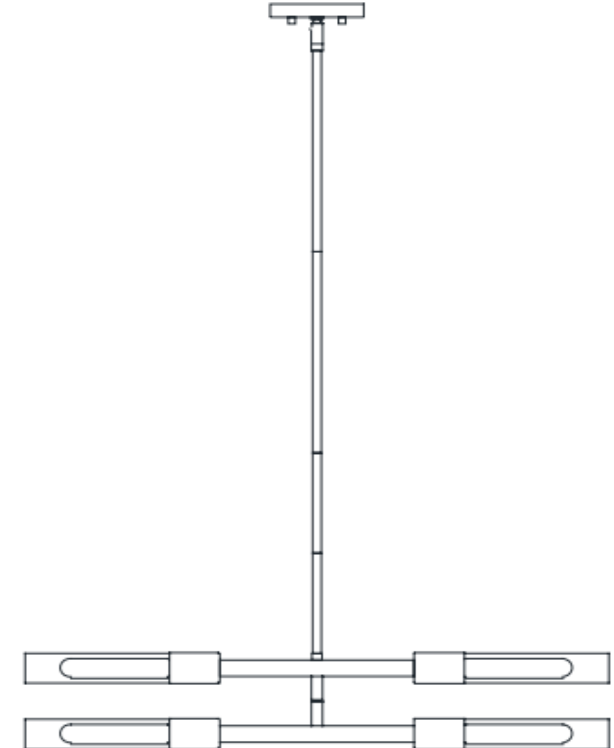
## NOTICE& IMPORTANT SAFETY INSTRUCTIONS

- \*\* WE RECOMMEND INSTALLATION OF THIS LIGHTING FIXTURE BE DONE BY A LICENSED ELECTRICIAN \*\*
- \* Please make sure that you have all parts indicated before you begin assembly of this item
- \* This item should be assembled on a soft surface to prevent scratching the finish during assembly
- \* To reduce the risk of fire, electrical shock or injury to persons or property, please follow the guideline below for safe use and installation

### Part List and Hardware List

PIECE	DESCRIPTION	PICTURE	QUANTITY	PIECE	DESCRIPTION	PICTURE	QUANTITY
A	Mounting bracket		1X	F	Canopy assembly		1X
B	Outlet box screw		2X	G	Long tube		2X
C	Wire nut		3X	H	Short tube		2X
D	Cap nut		2X	I	Lamp body		1X
E	Bulb		4X	J	Glass tube		4X

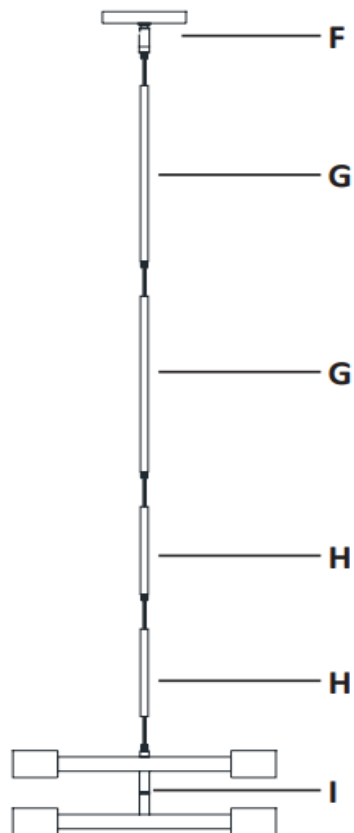
**Product Dimensions: 32"L x 5.125"W x 14.5-44.5"H**



## PREPARATION

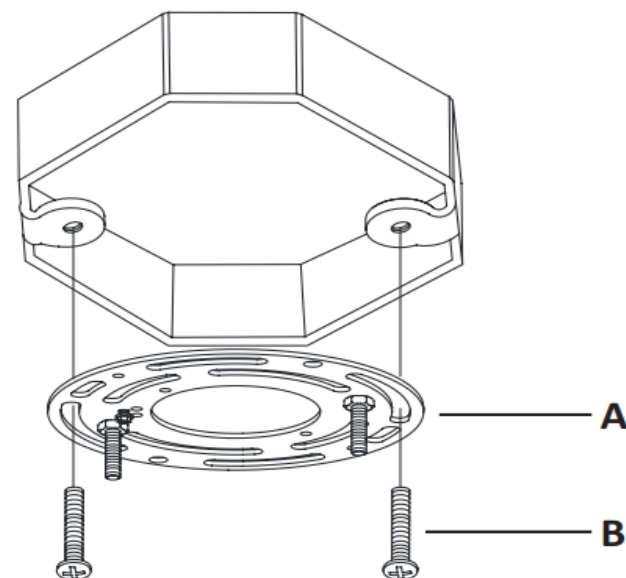
- \* Before beginning assembly of product, make sure all parts are present. Compare parts with package contents list and hardware contents list.
- \* If any part is missing or damaged, do not attempt to assemble the product.
- \* Estimated Assembly Time: 20 minutes.
- \* Tools Required for Assembly (not included): Screwdriver, Junction box
- \* If you are having difficulty, our friendly Customer Care team is always here to help.

**NOTE: PLEASE USE TYPE "A" BULB MAX 25-WATT OR LED BULB MAX 9-WATT, THERE ARE 4PCS LED 4-WATT BULB IN THE BOX**



**Step 1:** Unpack all parts from cartons carefully.

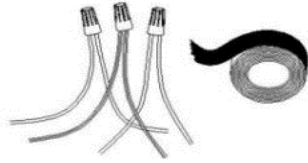
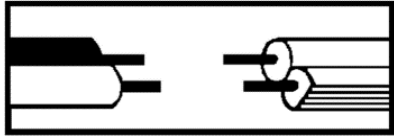
Guide the fixture wire with the bare copper ground wire through the short tubes (H), long tubes (G) and the canopy assembly (F) as your desired length. Rotate canopy assembly (F) and each tube clockwise till tight.



**Step 2:** Fasten the mounting bracket (A) onto the outlet box using two outlet box screws (B).

# PREPARATION

- \* Before beginning assembly of product, make sure all parts are present. Compare parts with package contents list and hardware contents list.
- \* If any part is missing or damaged, do not attempt to assemble the product.
- \* Estimated Assembly Time: 20 minutes.
- \* Tools Required for Assembly (not included): Screwdriver, Junction box
- \* If you are having difficulty, our friendly Customer Care team is always here to help.



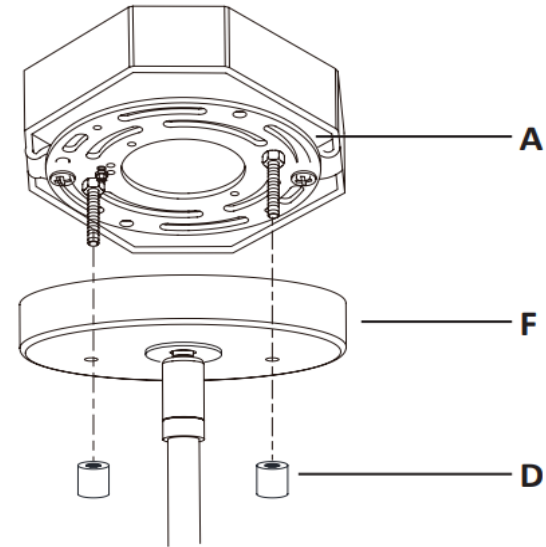
## Step 3: Wire connection

Connect the glossy/live wire (labeled "L") from the fixture to the black wire from the outlet box, then connect the rough/neutral live wire (labeled "N") from the fixture to the white wire from the outlet box.

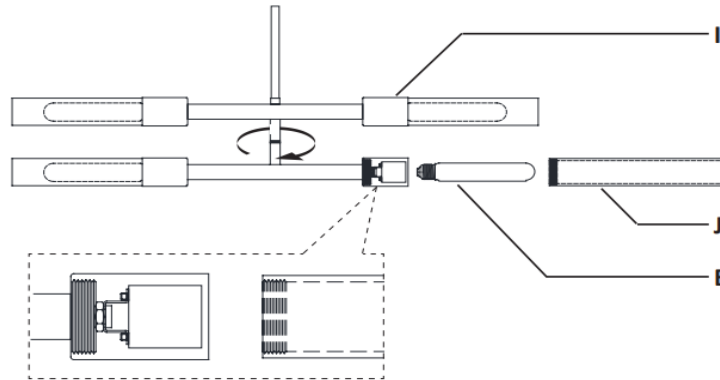
CAUTION: Do not reverse the hot and neutral connections

Grounding Instructions:

Wrap ground wire from outlet box around green ground screw on mounting bracket, no less than 2" from wire end. Tighten ground screw. If fixture is supplied with a ground wire, connect to outlet ground wire with a wire nut.



**Step 4:** Place the canopy assembly (F) over the outlet box, and ensure the heads of the support screws of the mounting bracket (A) come through the holes of the canopy assembly (F). Tighten the cap nuts (D) onto the protruding support screws on the mounting bracket (A) until the canopy assembly (F) is held firmly against the ceiling.



**Step 5:** Install the light bulbs (E) into the socket of the lamp body (I). Insert the inner threaded end of the glass tube (J) into the socket cap of the lamp body (I), then tighten the glass tube (J). Adjust the below arm to the desired position