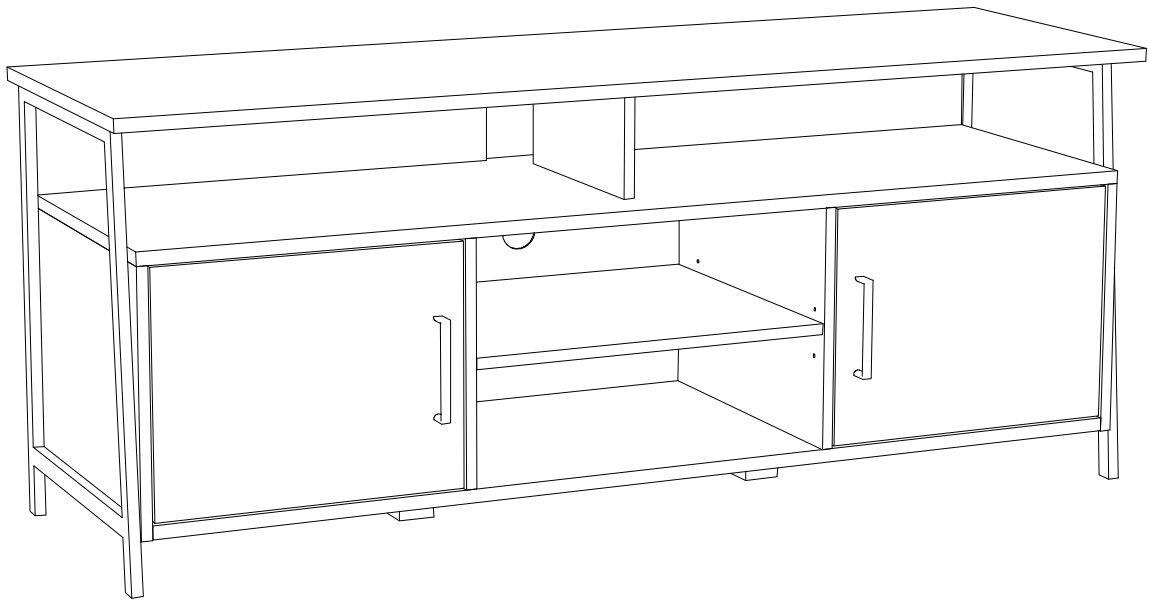


CONSOLE TABLE



ASSEMBLY INSTRUCTIONS

Dear Valued Customers:

On behalf of our entire team, I'd like to take this opportunity to welcome you as our new customer. I hope you are enjoying your recent purchase. I am thrilled to have you with us.

We pride ourselves on providing the best quality products to our customers. Our customers are the most important part of our business, and we work tirelessly to ensure your complete satisfaction.

If, for any reason, you are not completely satisfied with your purchase, I will be your primary contact and I encourage you to email or call me at any time with your questions and comments so that I can address your concerns as soon as possible.

I would be very grateful if you could spare a few minutes to leave a product review. By doing so, you'll give millions of fellow shoppers vital information to help them make the right purchase decision in the future. I deeply appreciate your honest review of the product.

Thank you again and Have a lovely day!

Sincerely,

Table of Contents

Part Identification	2
Hardware Identification	3
Assembly Steps	4-18
Safety	19-21
Warranty	22-24

Assembly Tools Required



No. 2 Phillips Screwdriver
and Flat head screwdriver
Shown Actual Size



Hammer
Not actual size

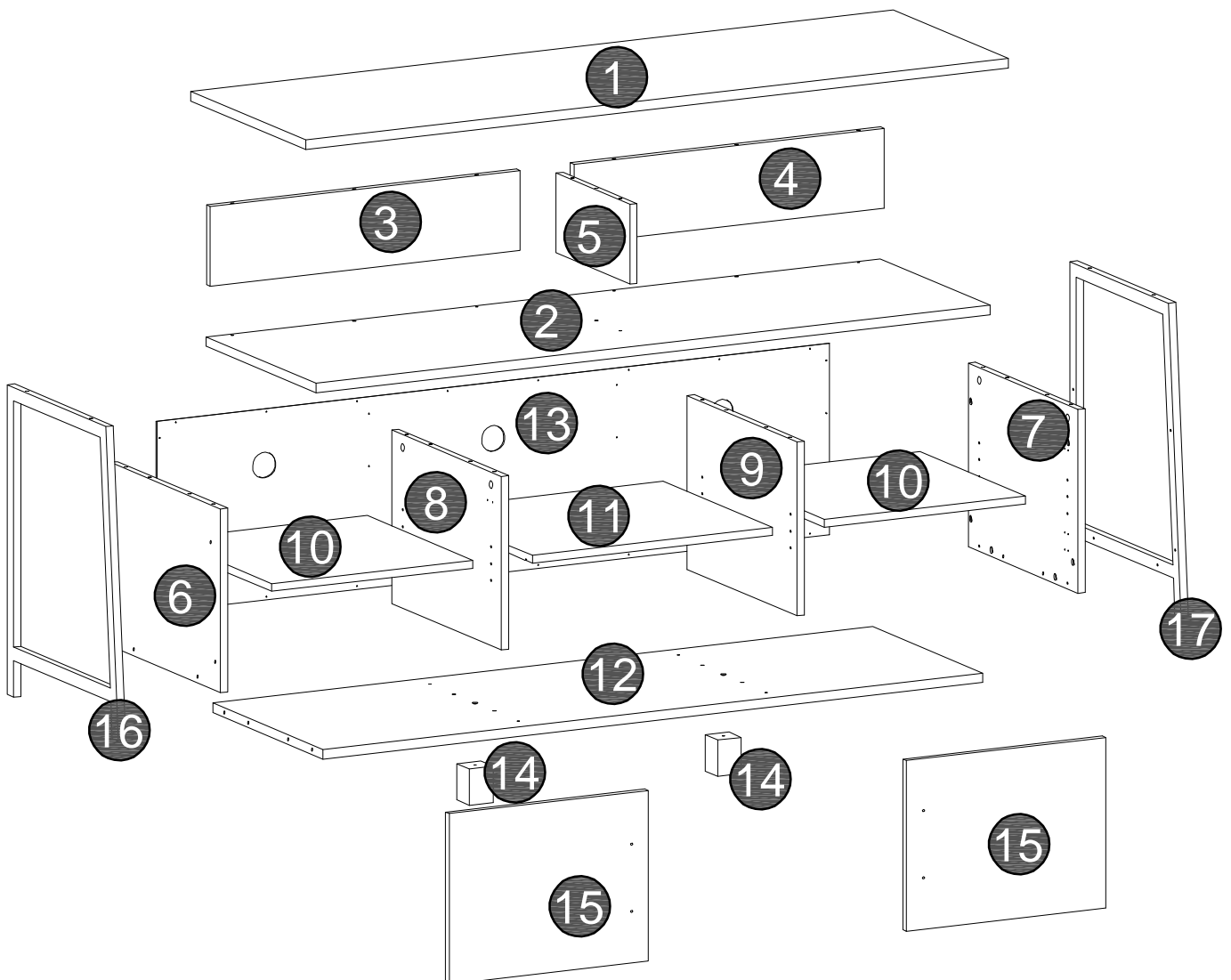


DO NOT USE

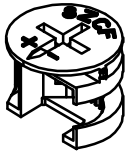
Skip the power trip.
This time.

Part Identification

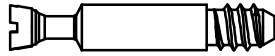
- | | |
|-----------------------|--------------------------------|
| 1.TOP(1) | 10. LEFT/RIGHT ADJUST SHELF(2) |
| 2.SHELF(1) | 11.MID ADJUST SHLEF(1) |
| 3.LEFT SMALL BACK(1) | 12.BOTTOM(1) |
| 4.RIGHT SMALL BACK(1) | 13.BACK(1) |
| 5.SMALL UPRIGHT(1) | 14.FOOT(2) |
| 6.LEFT END(1) | 15.DOOR(2) |
| 7.RIGHT END(1) | 16.LEFT LEG(1) |
| 8.LEFT UPRIGHT(1) | 17.RIGHT LEG(1) |
| 9.RIGHT UPRIGHT(1) | |



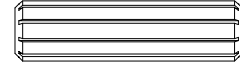
Hardware Identification



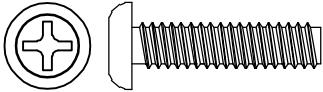
A. HIDDEN CAM - 18+1



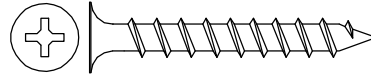
B. CAM SCREW - 18+1



C. WOOD DOWEL - 22+1



D. 1" MACHINE SCREW - 12+1



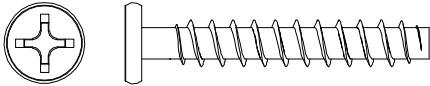
E. 1-1/2" FLAT HEAD SCREW - 10+1



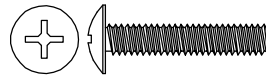
F. 5/8" FLAT HEAD SCREW - 24+1



G. 1/2" PAN HEAD SCREW - 4+1



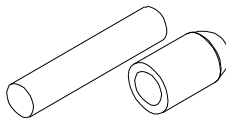
H. 1-1/2" LARGE HEAD SCREW - 4+1



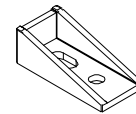
I. 7/8" MACHINE SCREW - 4+1



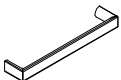
J. 3/4" NAIL - 32+1



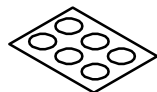
K. METAL PIN AND RUBBER SLEEVE - 12



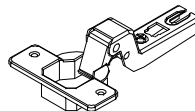
L. DOOR STOP - 2



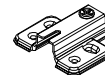
M. PULL - 2



N. APPLIQUE CARD - 2



O. HINGE - 4

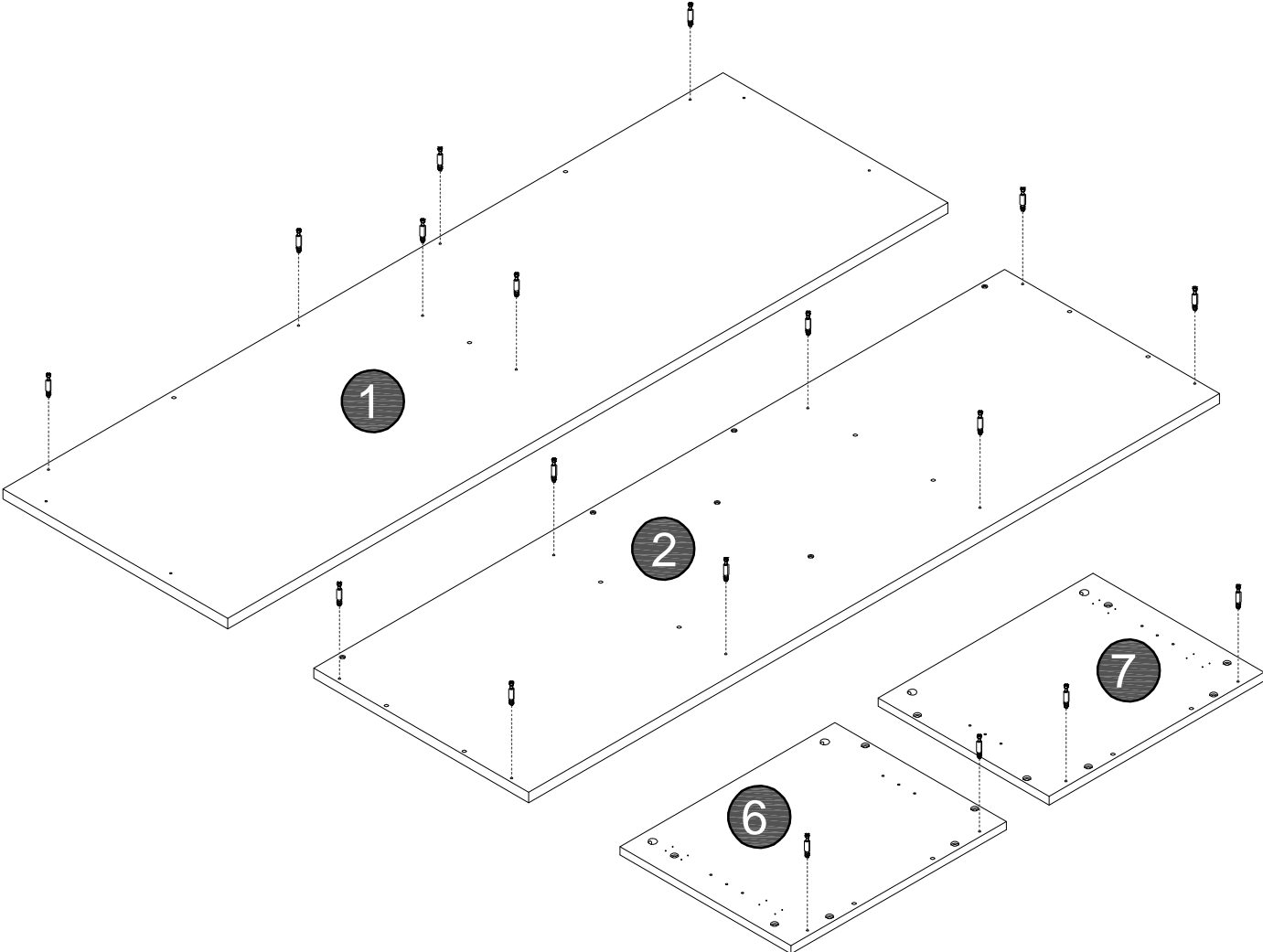


P. HINGE BRACKET - 4

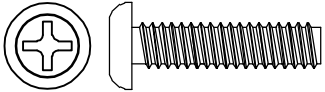
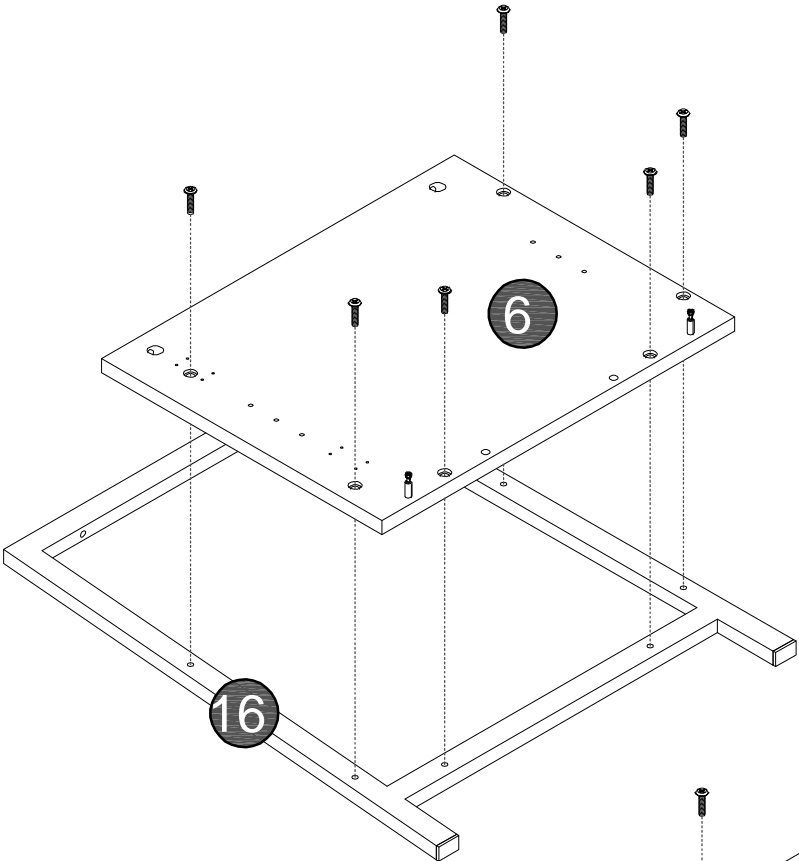
STEP 1



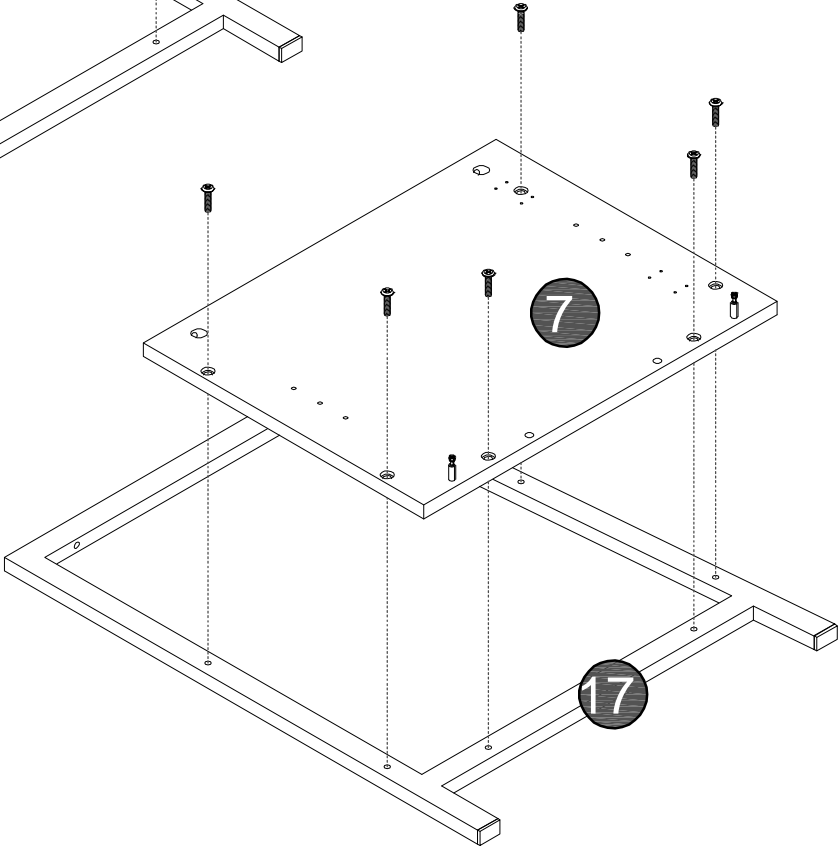
B.CAM SCREW - 18+1



STEP 2



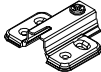
D.1" MACHINE SCREW - 12



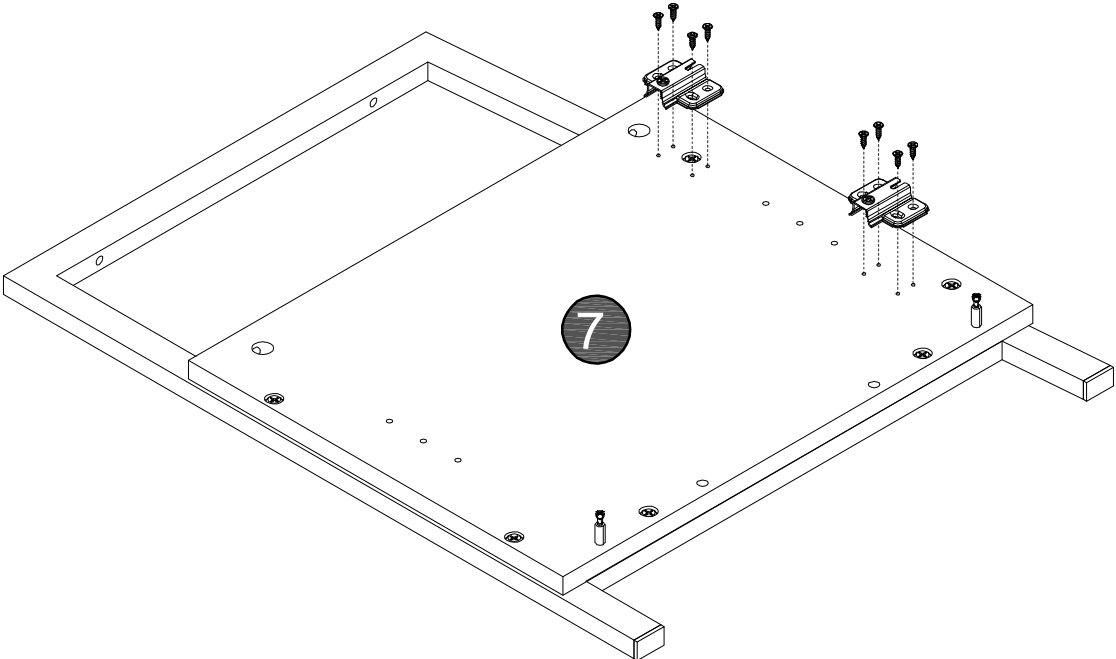
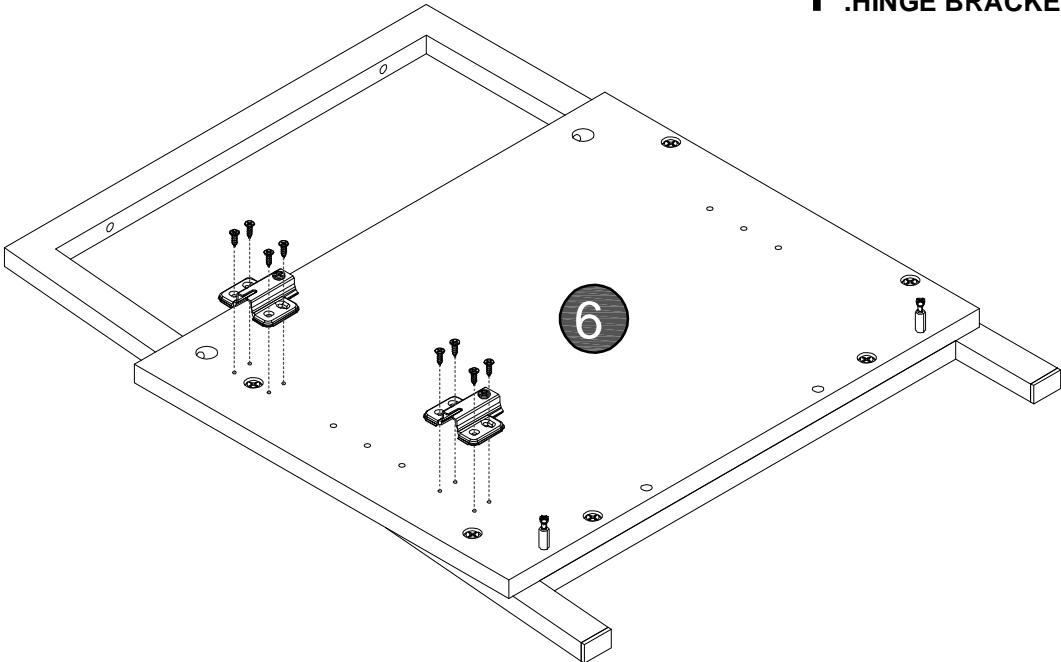
STEP 3



F.1/2"FLAT HEAD SCREW - 16



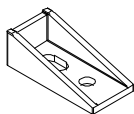
P.HINGE BRACKET - 4



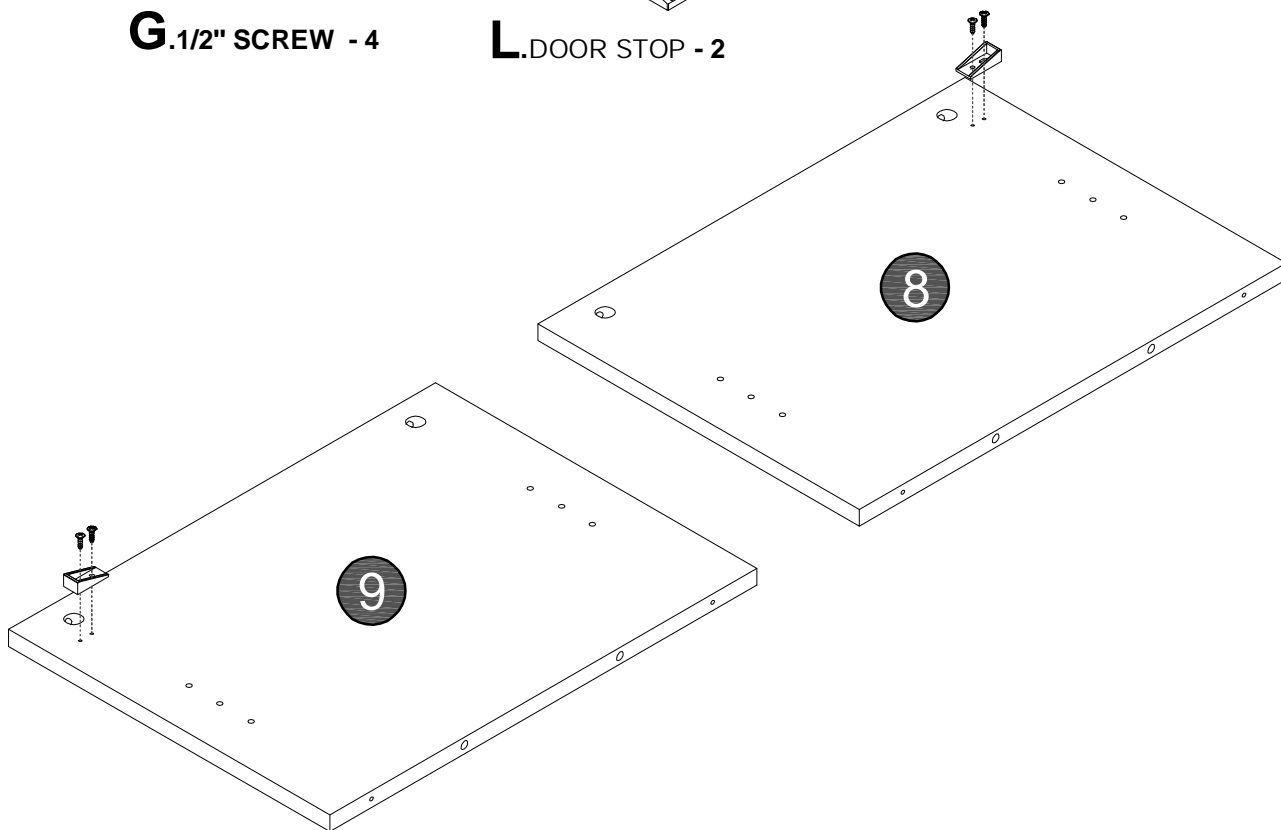
STEP 4



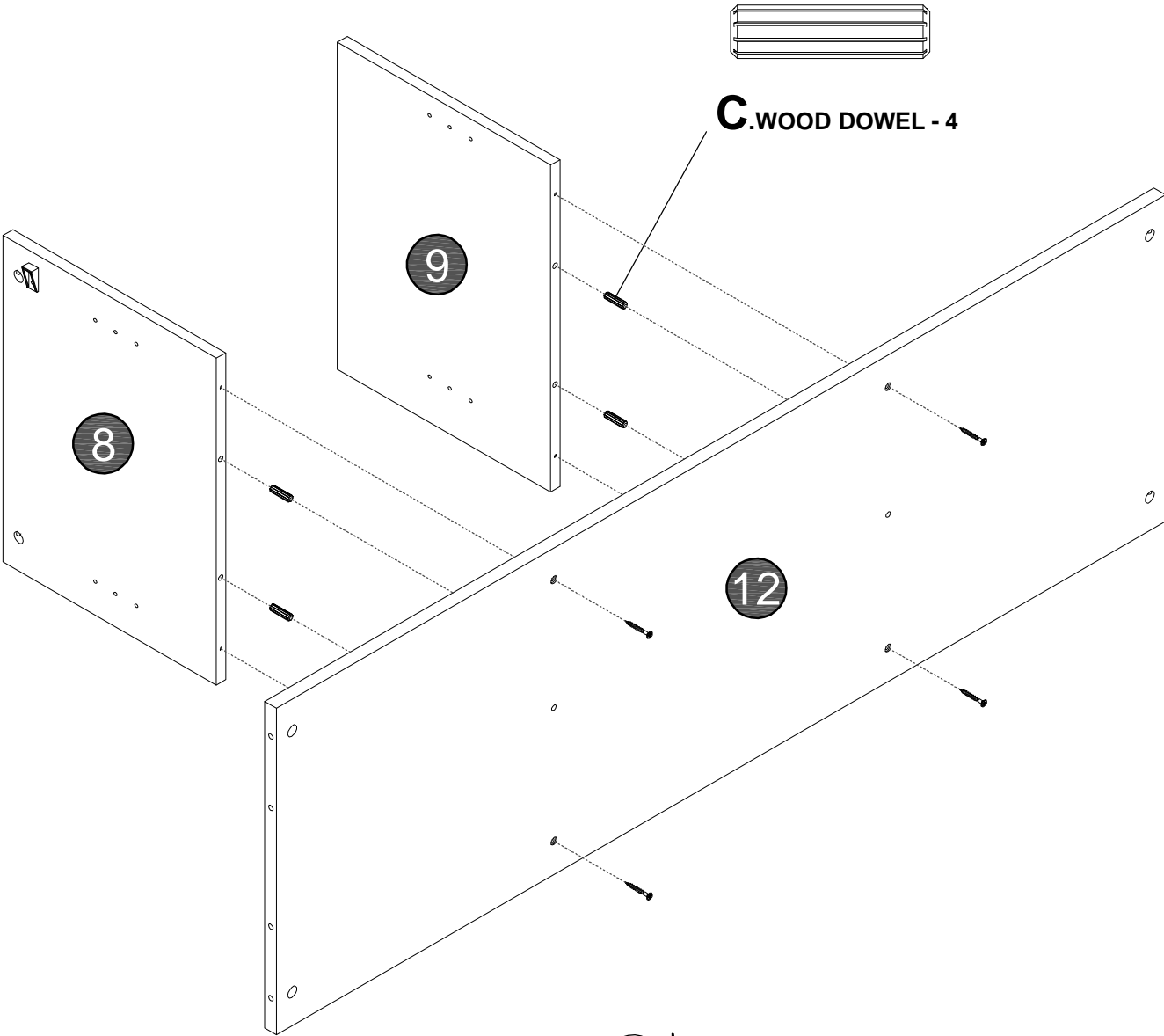
G.1/2" SCREW - 4



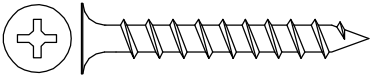
L.DOOR STOP - 2



STEP 5

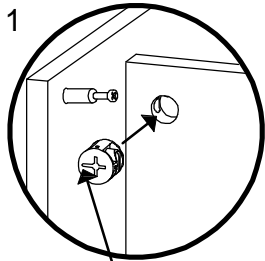


C.WOOD DOWEL - 4

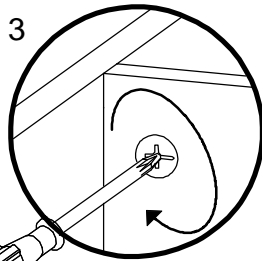
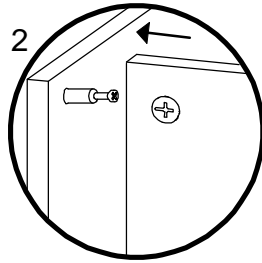


E.1-1/2"FLAT HEAD SCREW - 4

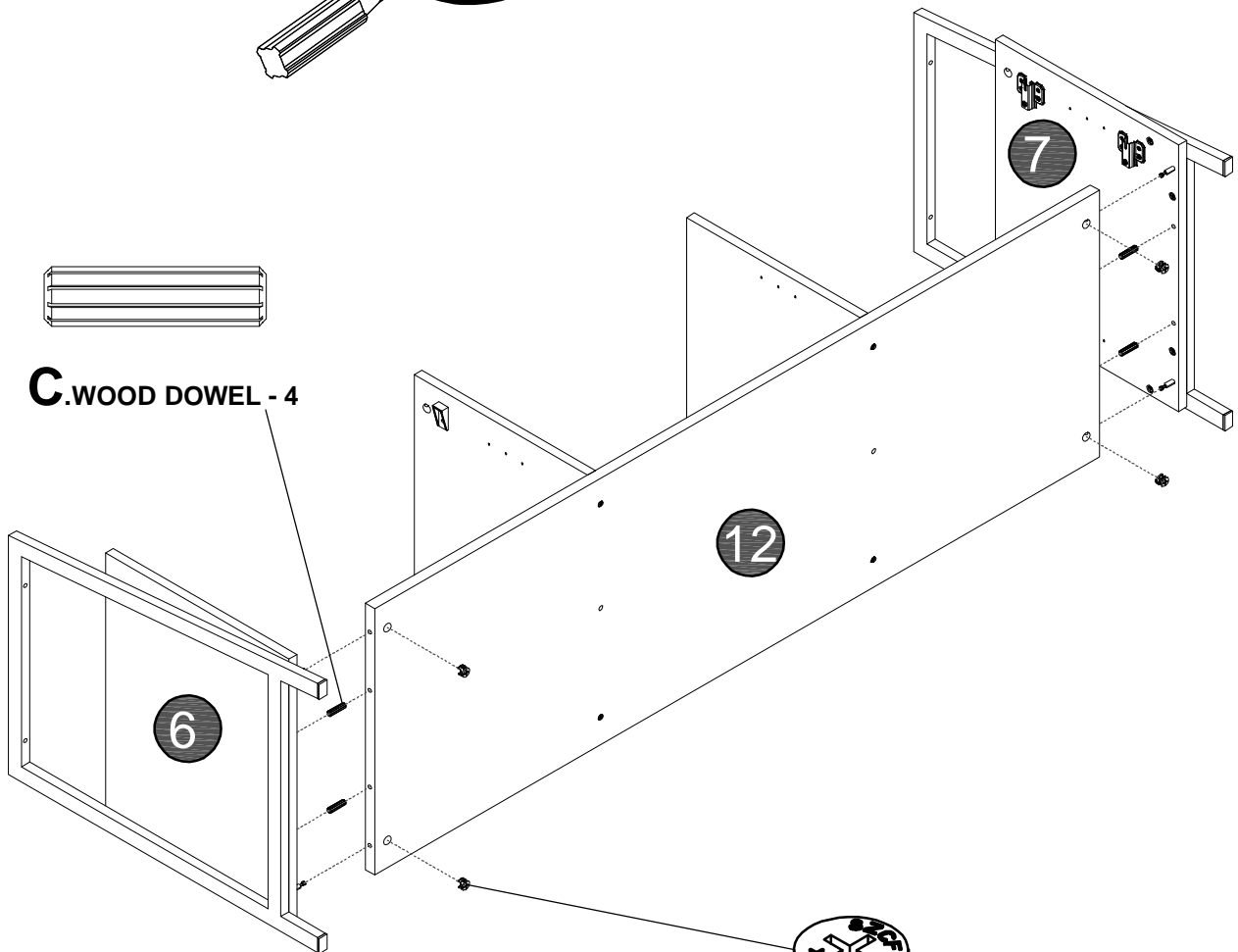
STEP 6



The arrow must point toward the edge of the board.



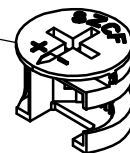
C. WOOD DOWEL - 4



12

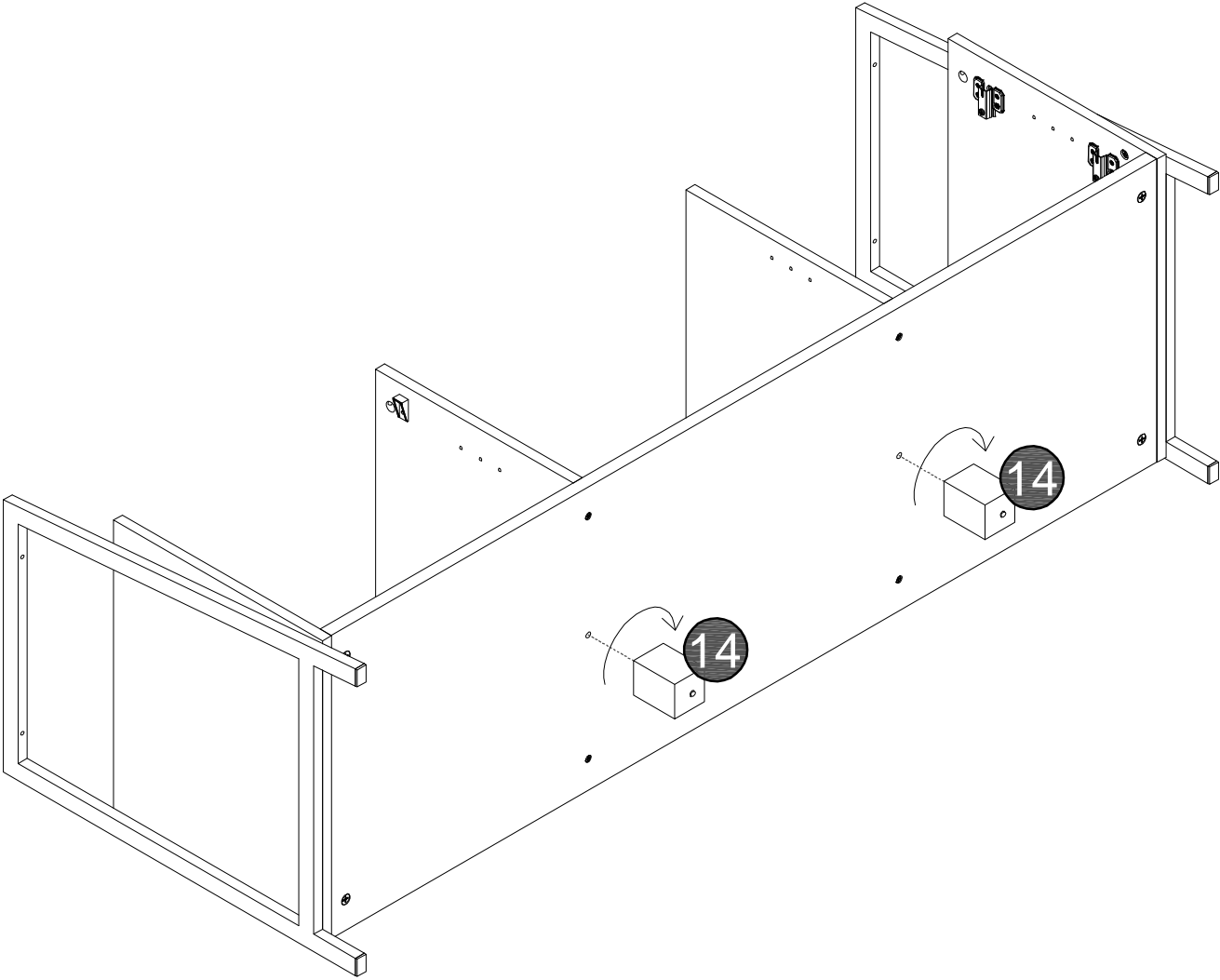
6

7

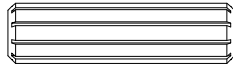


A. HIDDEN CAM - 4

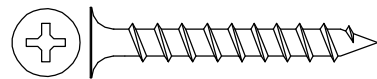
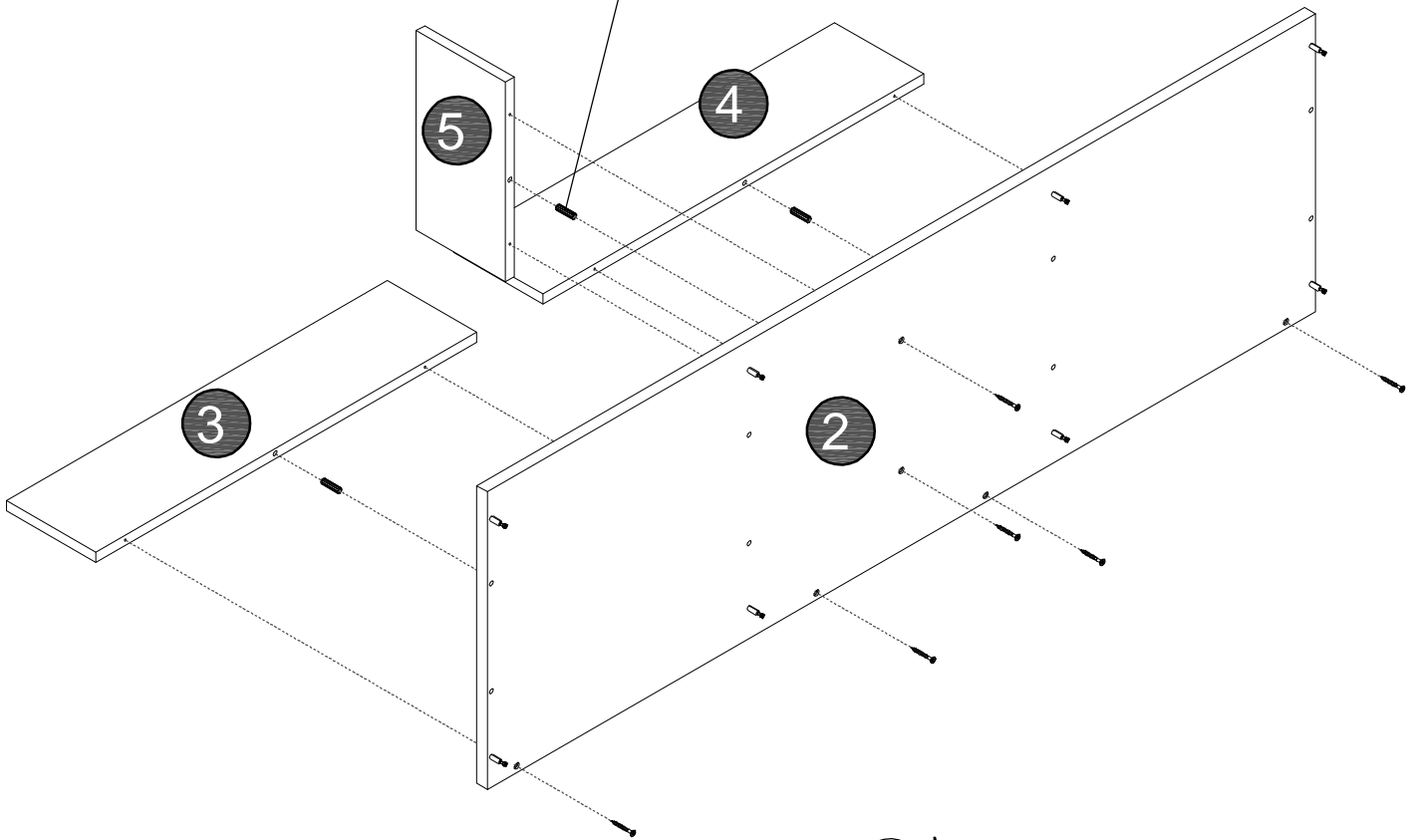
STEP 7



STEP 8

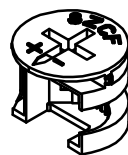


C. WOOD DOWEL - 3

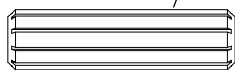
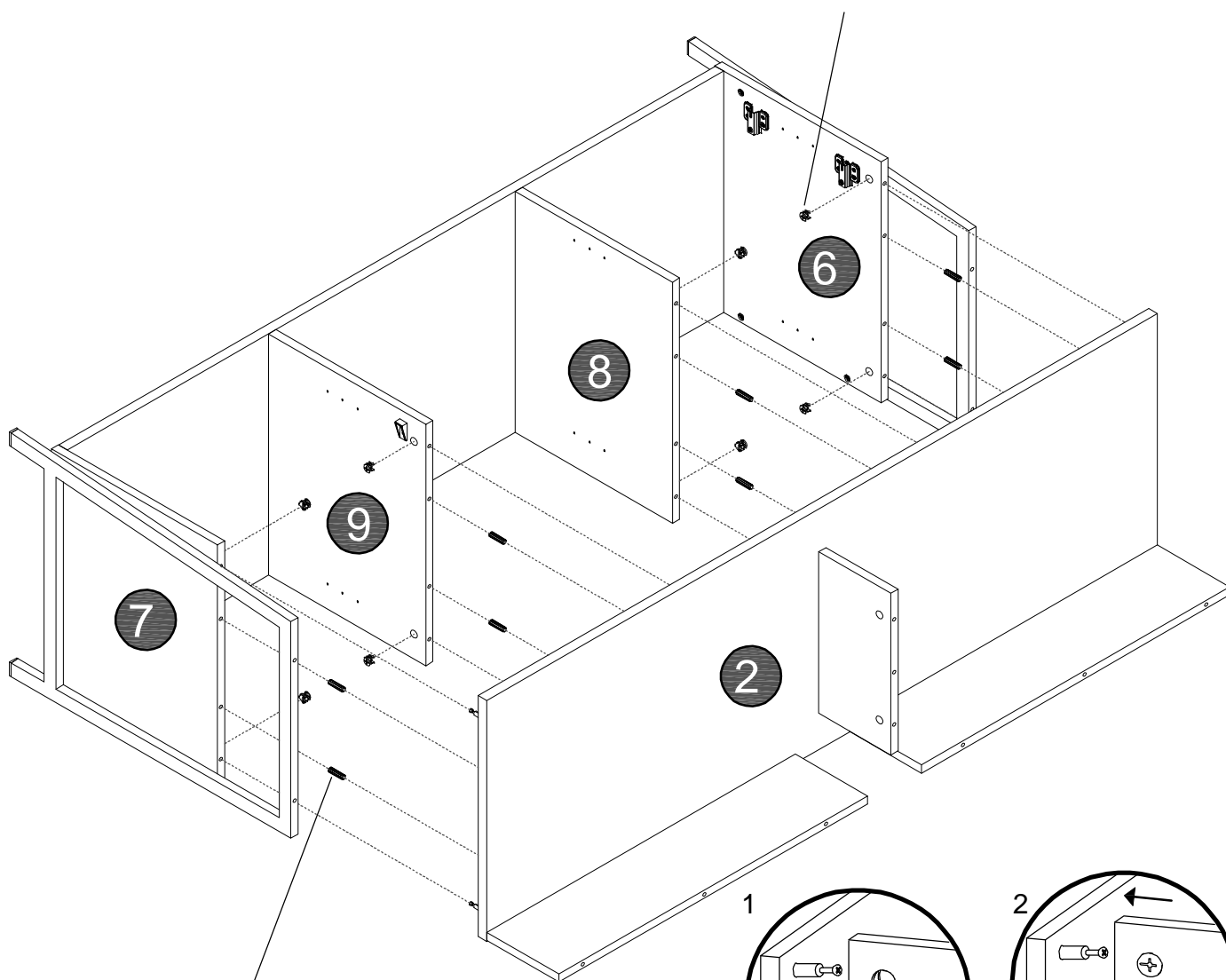


E. 1-1/2" FLAT HEAD SCREW - 6

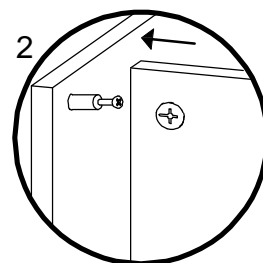
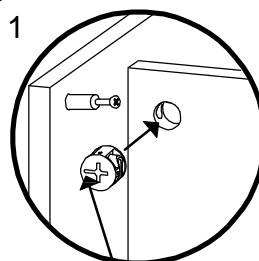
STEP 9



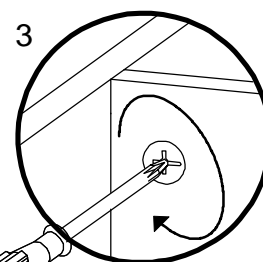
A.HIDDEN CAM - 8



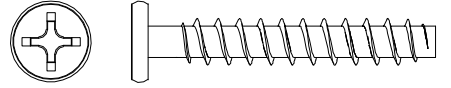
C.WOOD DOWEL - 8



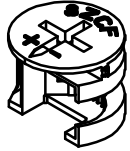
The arrow must point toward the edge of the board.



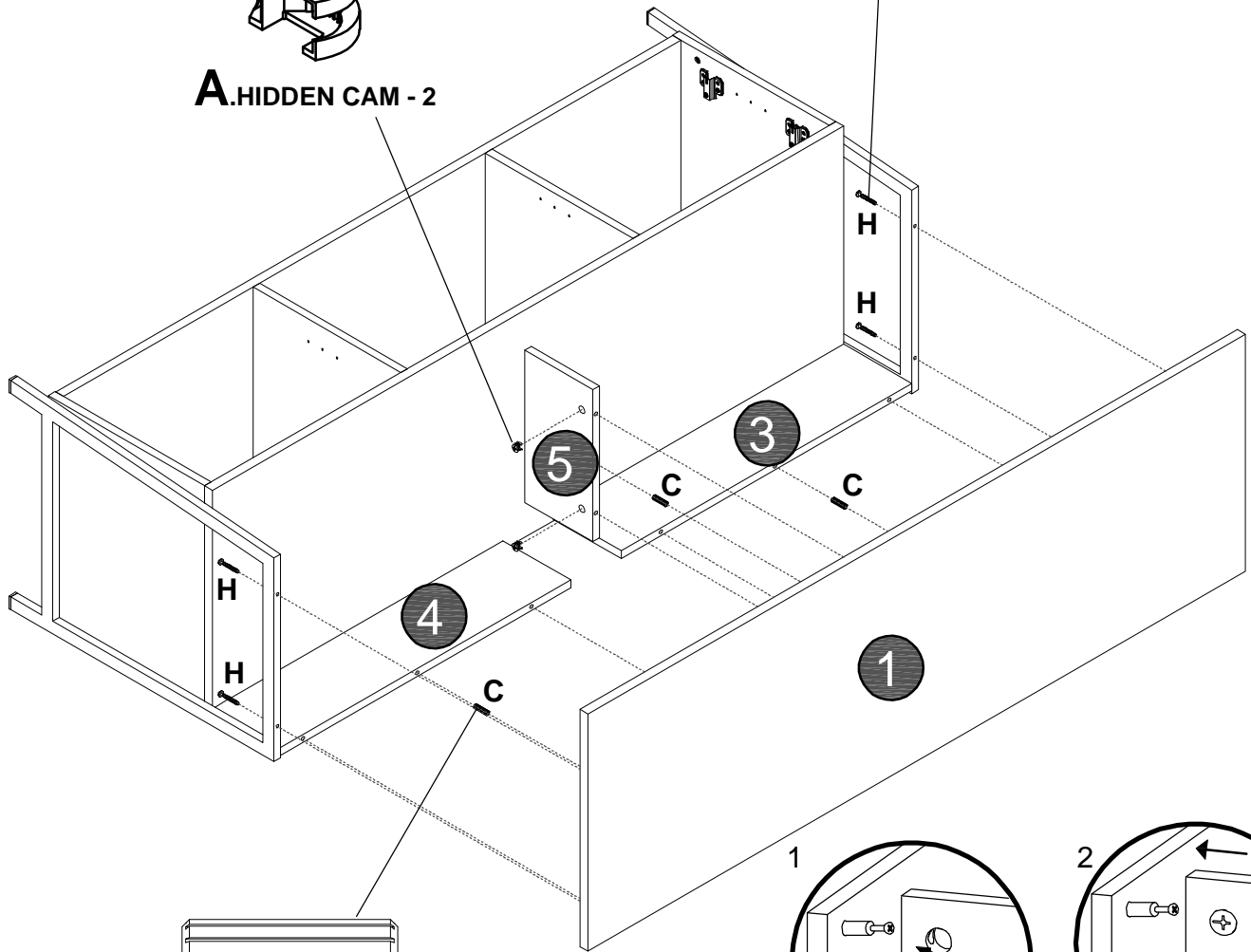
STEP 10



H.1-1/2" LARGE HEAD SCREW - 4

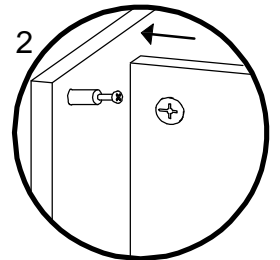
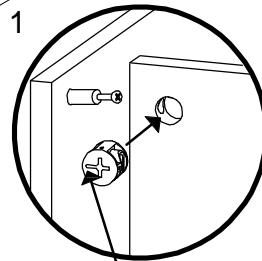


A.HIDDEN CAM - 2

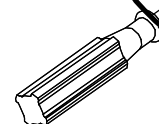
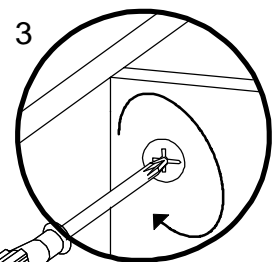


C.WOOD DOWEL - 3

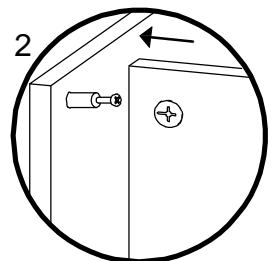
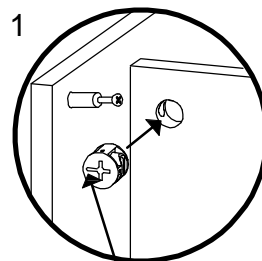
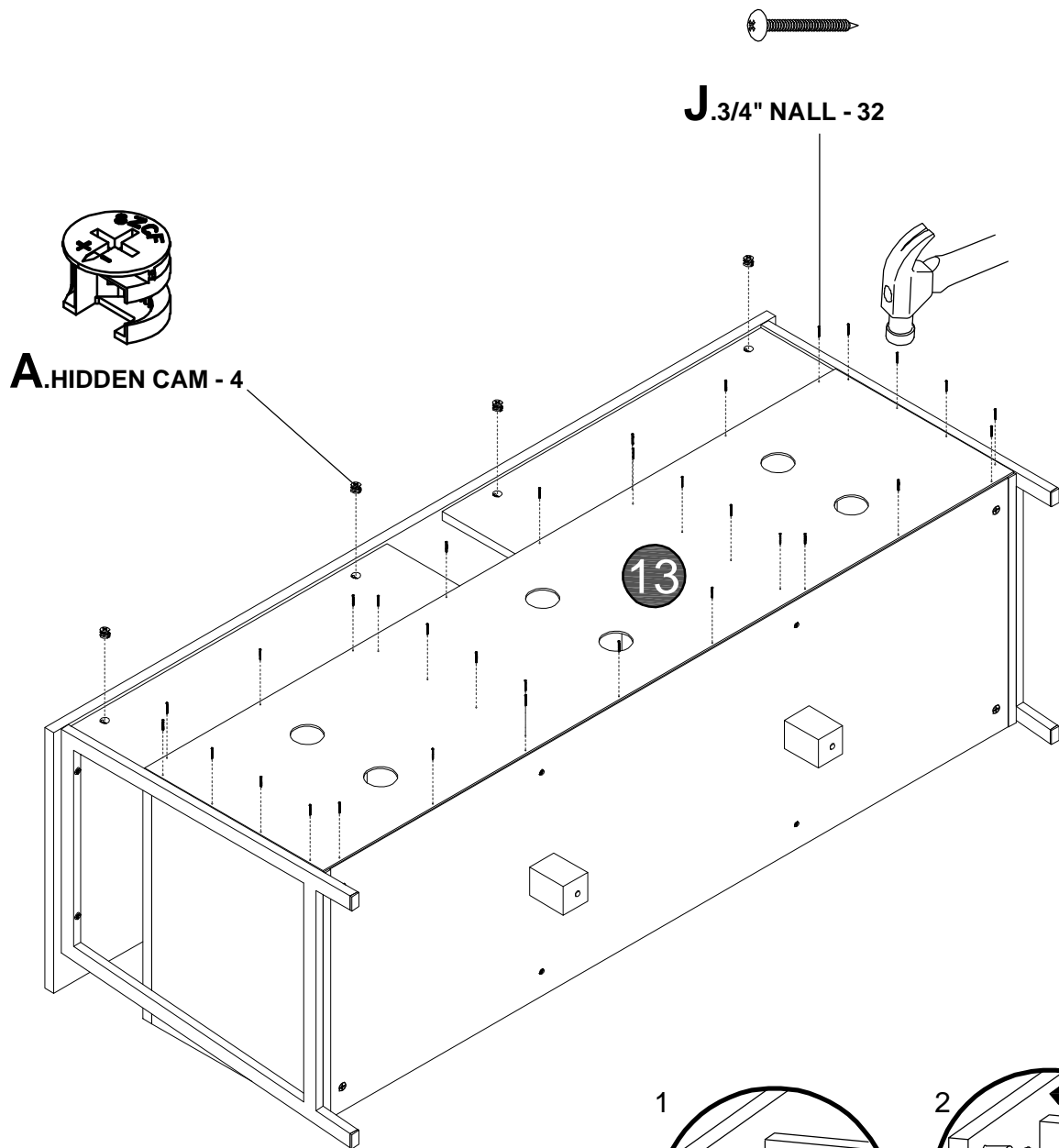
C



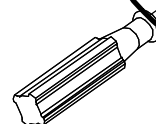
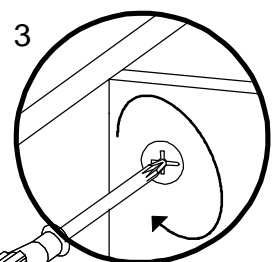
The arrow must point toward the edge of the board.



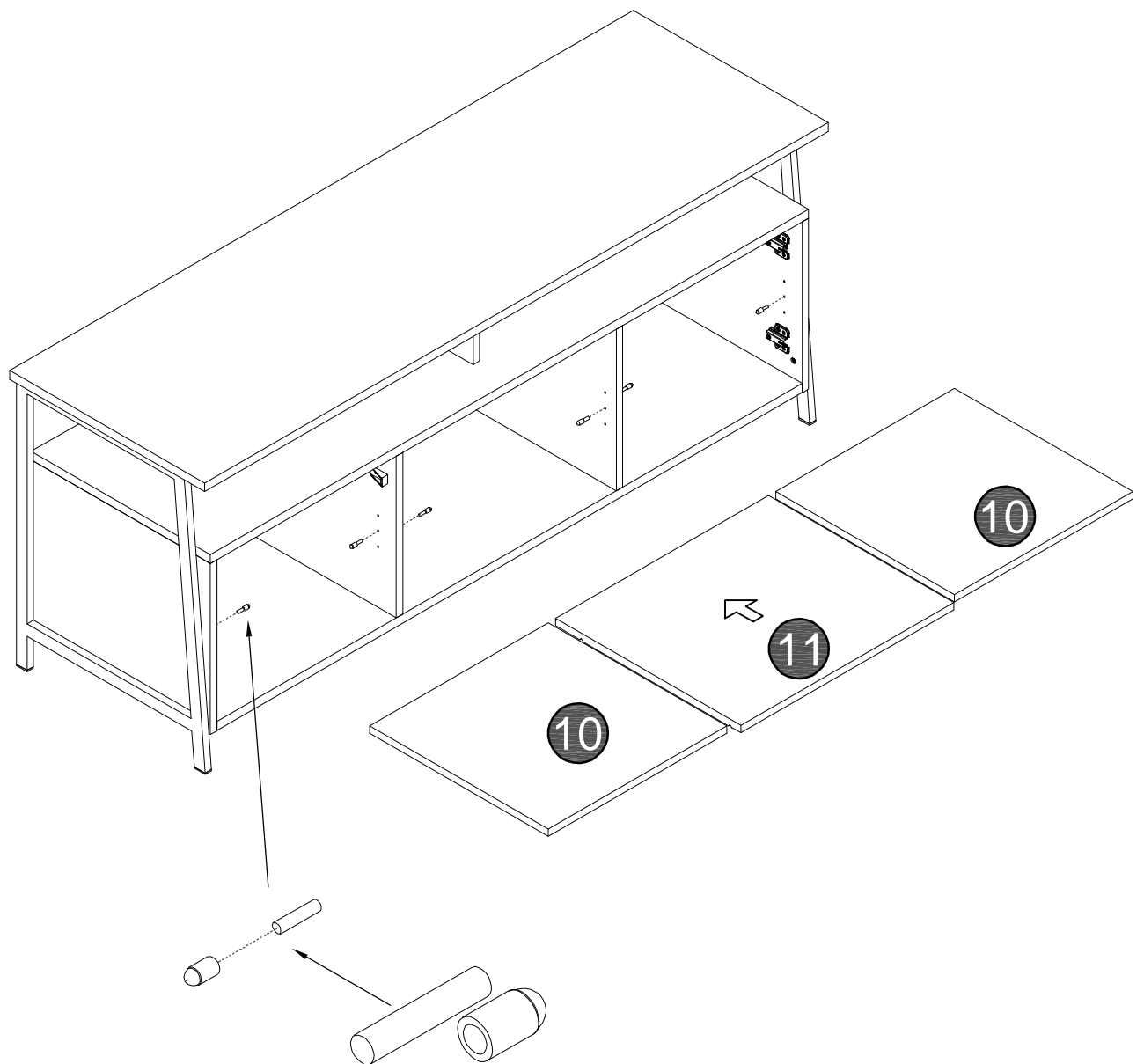
STEP 11



The arrow must point toward the dege of the board.

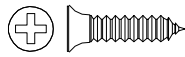


STEP 12

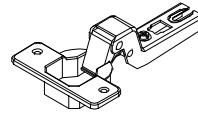


K.METAL PIN AND RUBBER SLEEVE - 12

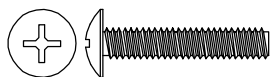
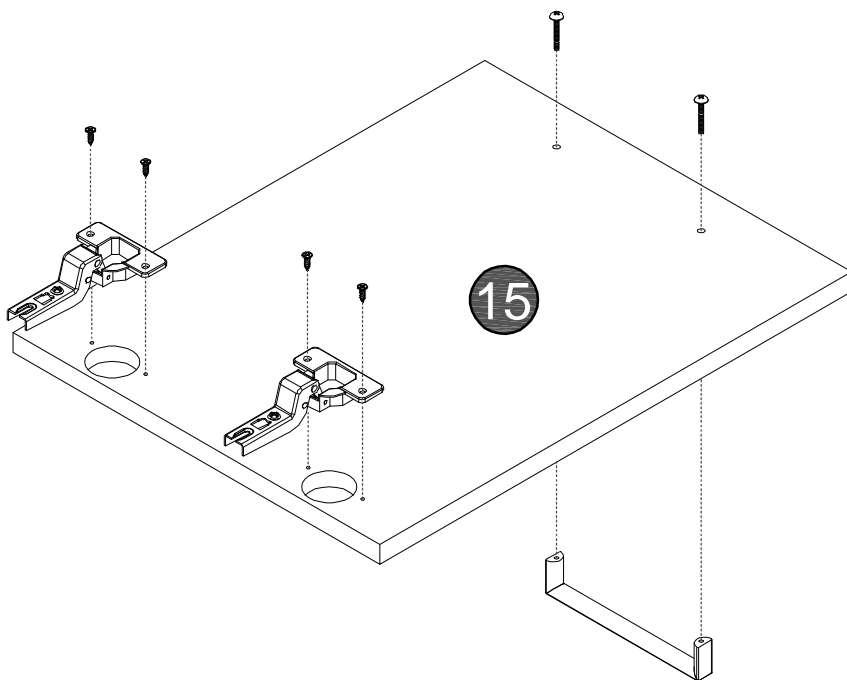
STEP 13



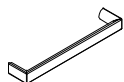
F.1/2" FLAT HEAD SCREW - 8



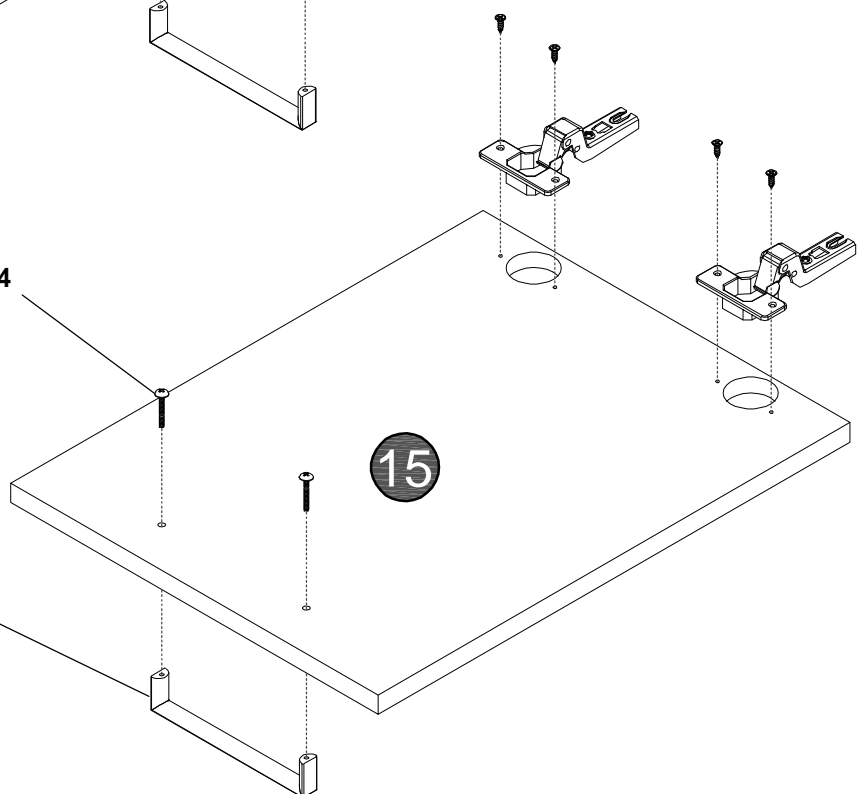
O.HINGE - 4



I.7/8" MACHINE SCREW - 4

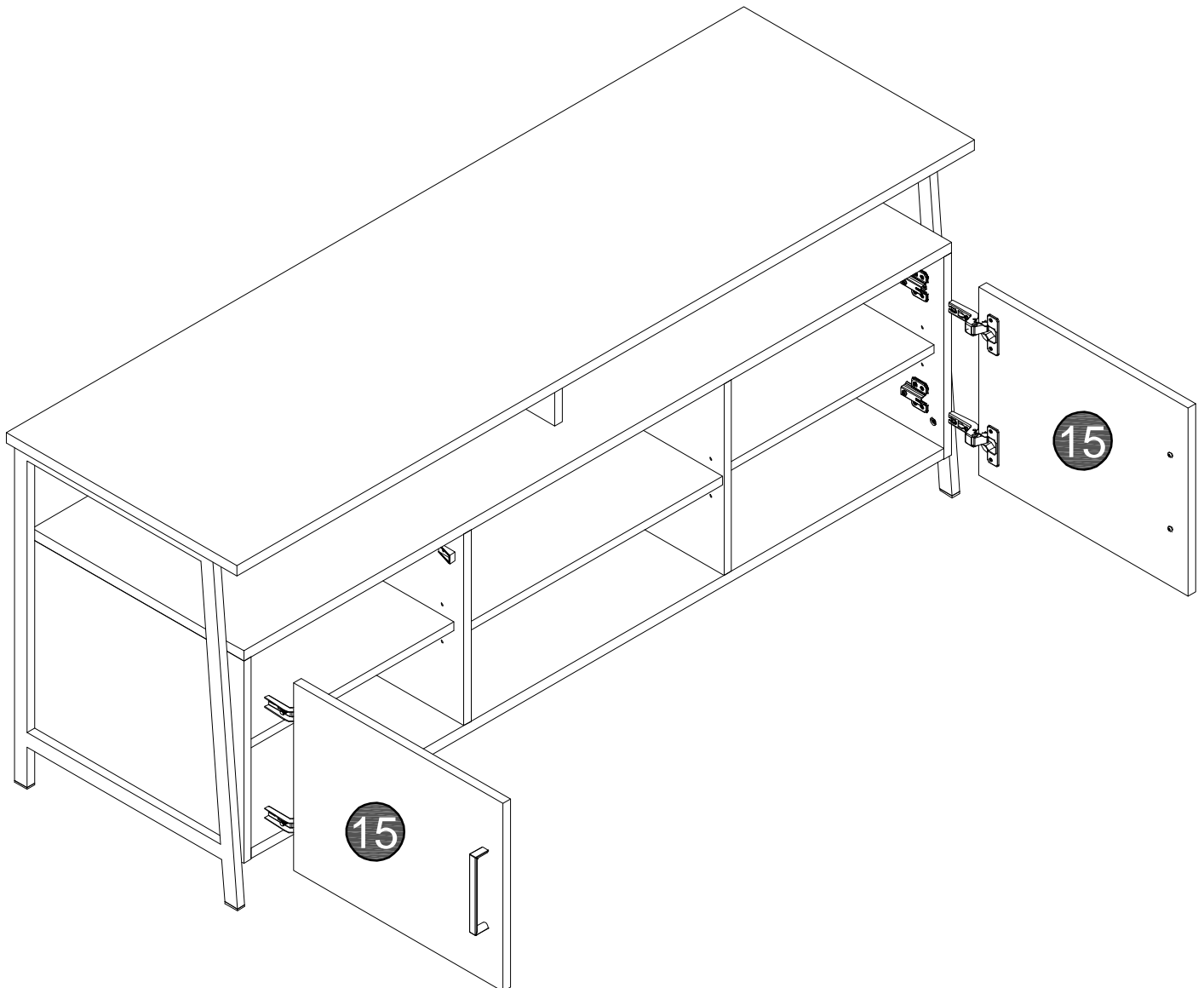
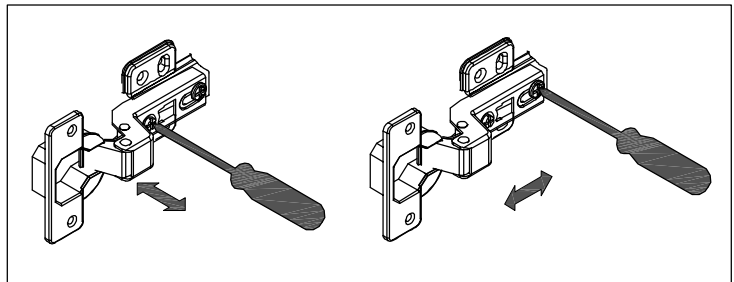
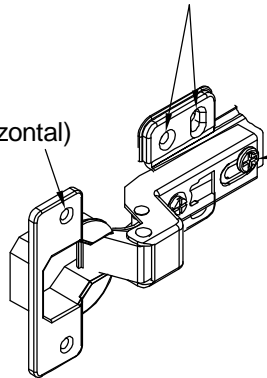


M.PULL - 2

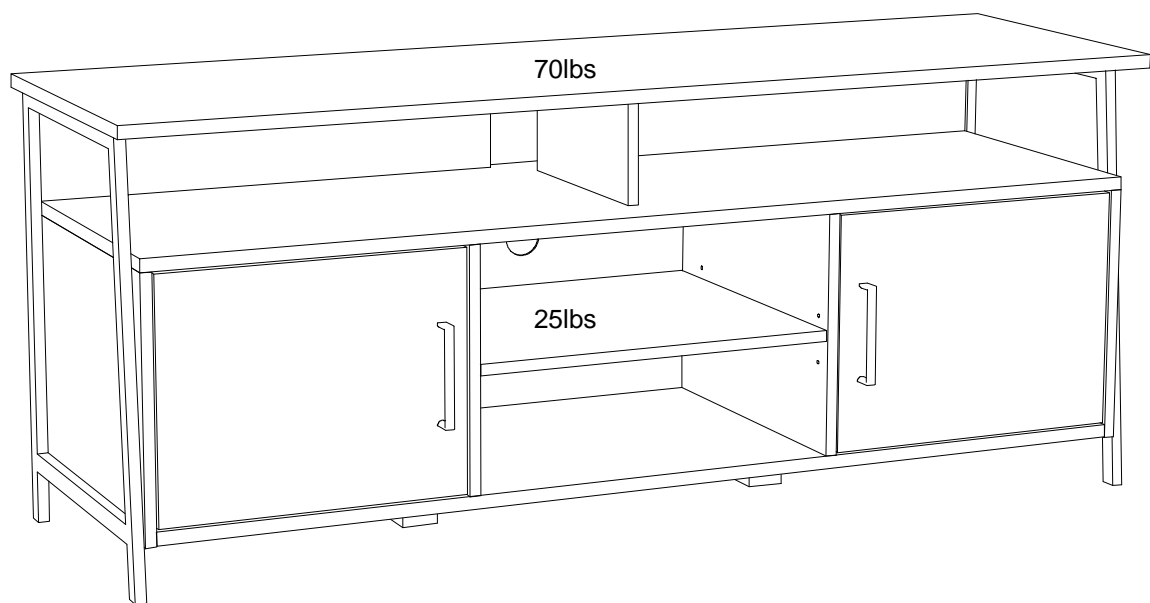


STEP 14

(vertical adjustment)
Adjusting screw (horizontal)
Mounting screw (depth)



STEP 15





Warning

Please use your furniture correctly and safely. Improper use can cause safety hazards, or damage to your furniture or household items. Carefully read the following chart.

Death or serious injury may occur when children climb on audio and/or video equipment furniture. A remote control or toys placed on the furnishing may encourage a child to climb on the furnishing and as a result may tip over onto the child.

NEVER allow children to climb or play with the TV or furnishing supporting the TV.

NEVER place toys, food, remote, etc. on top of the TV or TV furnishing.

ALWAYS use either the safety hardware as instructed or other wall anchoring device.

Relocating audio and/or video equipment to furniture not specifically designed to support audio and/or video equipment may result in death or serious injury due to furniture collapse or over turning onto a child.

NEVER place a TV on furniture that is not intended to support a TV.

NEVER exceed the maximum size and weight of the TV shown in the instructions.

Be sure to apply the TV warning label as shown in the instructions.

Overloading drawers and shelves may result in furniture that can break or sag, or tip-over which may result in injury.

NEVER exceed the weight limits shown in the instructions.

Place the heavier items on lower shelves as far back from the front as possible.

Load the bottom surfaces first to avoid top-heavy furniture.

Moving furniture that is not designed to be moved or equipped with casters may result in injury or damage to furnishings or personal property.

ALWAYS unload shelves and drawers, starting with the top surfaces, before moving.

NEVER push or pull furniture on carpet. Have a friend help lift properly to move and/or reposition it.



Aviso

Por favor, use sus muebles correctamente y con seguridad. El uso incorrecto puede causar riesgos de seguridad o daños a sus muebles o artículos del hogar.

Lea atentamente la siguiente tabla.

Se pueden producir lesiones graves o mortales cuando los niños se suben a los muebles de audio y/o video. Un control remoto o juguetes colocados en el mobiliario pueden alentar a un niño a subirse al mobiliario y, como resultado, puede volcarse sobre el niño.

NUNCA permita que los niños se suban o jueguen con el televisor o los muebles que soportan el televisor.

NUNCA coloque juguetes, comida, control remoto, etc. sobre el televisor o los muebles de TV.

SIEMPRE debe usar el hardware de seguridad según las instrucciones u otro dispositivo de anclaje de pared.

La reubicación de equipos de audio y/o video a muebles que no están específicamente diseñados para soportar equipos de audio y/o video puede ocasionar la muerte o lesiones graves debido al colapso de los muebles o al volcarse sobre un niño.

NUNCA coloque un televisor sobre muebles que no estén diseñados para soportar un televisor.

NUNCA exceda el tamaño máximo y el peso del televisor que se muestra en las instrucciones.

Asegúrese de aplicar la etiqueta de advertencia del televisor como se muestra en las instrucciones.

La sobrecarga de los cajones y estantes puede provocar que los muebles se rompan, se doblen, o que se vuelquen, lo que puede provocar lesiones.

NUNCA exceda los límites de peso que se muestran en las instrucciones.

Coloque los artículos más pesados en los estantes inferiores lo más atrás posible de la parte delantera.

Cargue las superficies inferiores primero para evitar muebles muy pesados.

Mover muebles que no están diseñados para ser movidos o equipados con ruedas puede provocar lesiones o daños a los muebles o bienes personales.

SIEMPRE descargue los estantes y los cajones, comenzando con las superficies superiores, antes de moverlos.

NUNCA empuje o jale los muebles sobre la alfombra. Haga que un amigo lo ayude a levantarlo correctamente para moverlo y/o reposicionarlo.



Avertissemen

Veillez utiliser vos meubles correctement et en toute sécurité. Une utilisation incorrecte peut entraîner des risques pour la sécurité ou endommager vos meubles ou vos articles ménagers. Lisez attentivement le tableau suivant.

Des blessures graves, voire mortelles, peuvent survenir lorsque les enfants grimpent sur des meubles audio et / ou vidéo. Une télécommande ou des jouets placés sur le meuble peuvent encourager un enfant à grimper sur le meuble.

NE JAMAIS permettre aux enfants de grimper ou de jouer avec le téléviseur ou un meuble supportant le téléviseur.

Ne placez JAMAIS de jouets, nourriture, télécommande, etc. sur le téléviseur ou son meuble.

Utilisez **TOUJOURS** le matériel de sécurité comme indiqué ou tout autre dispositif d'ancrage mural.

Le fait de déplacer un équipement audio et / ou vidéo sur un meuble non spécialement conçu pour accueillir un équipement audio et / ou vidéo peut entraîner des blessures graves, voire mortelles, en raison de l'effondrement du meuble ou du renversement excessif d'un enfant.

NE JAMAIS placer un téléviseur sur un meuble qui n'est pas conçu pour supporter un téléviseur.

NE JAMAIS dépasser la taille et le poids maximum du téléviseur indiqués dans les instructions.

Veillez à appliquer l'étiquette d'avertissement du téléviseur comme indiqué dans les instructions.

Une surcharge des tiroirs et des étagères peut provoquer la cassure ou l'affaissement des meubles, ainsi que des risques de blessures.

NE JAMAIS dépasser les limites de poids indiquées dans les instructions.

Placez les articles les plus lourds sur la tablette inférieure le plus loin possible de l'avant.

Chargez les surfaces inférieures en premier pour éviter les meubles trop lourds.

Le déplacement de meubles qui ne sont pas conçus pour être déplacés ou équipés de roulettes peut entraîner des blessures ou des dommages au mobilier ou aux biens personnels.

TOUJOURS décharger les étagères et les tiroirs, en commençant par les surfaces supérieures, avant de les déplacer.

NE JAMAIS pousser ou tirer des meubles sur un tapis. Demandez à un ami de soulever correctement pour le déplacer et / ou le repositionner.

1-YEAR LIMITED WARRANTY

1. Provides limited warranty coverage to the original purchaser of this product for a period of one year from the date of purchase against defects in materials or workmanship of components.

As used in this Warranty, "defect" means imperfections in components which substantially impair the utility of the product. This Warranty gives you specific legal rights, and you may also have other rights which vary from state to state.

2. There is no warranty coverage for defects or conditions that result from the **failure** to follow product assembly instructions, information or warnings, misuse **Or** abuse, intentional damage, fire, flood, alteration or modification of the product, or use of the product in a manner inconsistent with its intended use, nor any condition resulting from incorrect or inadequate maintenance, cleaning, or care. There is also no warranty coverage for rented products or any products purchased "used" or "as is", at a distress or going-out-of-business sale, or from a liquidator.

3. As the exclusive remedy under this Warranty, we (at our sole option) will repair or replace any defective furniture component. We may require independent confirmation of the claimed defect and proof of purchase. Replacement parts will be warranted for only the remaining period of the original Warranty. **SHALL HAVE NO LIABILITY for ANY INCIDENTAL OR CONSEQUENTIAL DAMAGES OF ANY KIND** and all such damages are **EXCLUDED FROM THIS WARRANTY**, such as loss of use, disassembly, transportation, labor or damage to property on or near the product. Some states do not allow the exclusion or limitation of incidental or consequential damages, so the above limitation or exclusion may not apply to you.

4. This Warranty applies only to warranted defects that first arise and are reported to within the warranty coverage period. The Warranty cannot be transferred to subsequent owners or users of the product, and it shall be immediately void in the event the product is resold, transferred, leased or rented to any third party or person other than the original purchaser.

5. THERE ARE NO OTHER WARRANTIES APPLICABLE TO THIS PRODUCT. Under the laws of certain states, there may be no implied warranties from and all implied warranties, **INCLUDING ANY IMPLIED WARRANTY OF MERCHANTABILITY OR FITNESS FOR A PARTICULAR PURPOSE** are disclaimed where allowed by law. **TO THE EXTENT ANY IMPLIED WARRANTIES ARE APPLICABLE, ANY IMPLIED WARRANTIES, INCLUDING ANY IMPLIED WARRANTY OF MERCHANTABILITY OR FITNESS FOR A PARTICULAR PURPOSE, ARE LIMITED IN DURATION TO THE DURATION OF THIS EXPRESS WARRANTY** or the minimum period allowed by law, whichever is shorter. Some states do not allow limitations on how long an implied Warranty lasts, so the above limitation may not apply to you.