
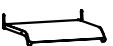








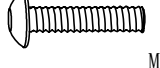


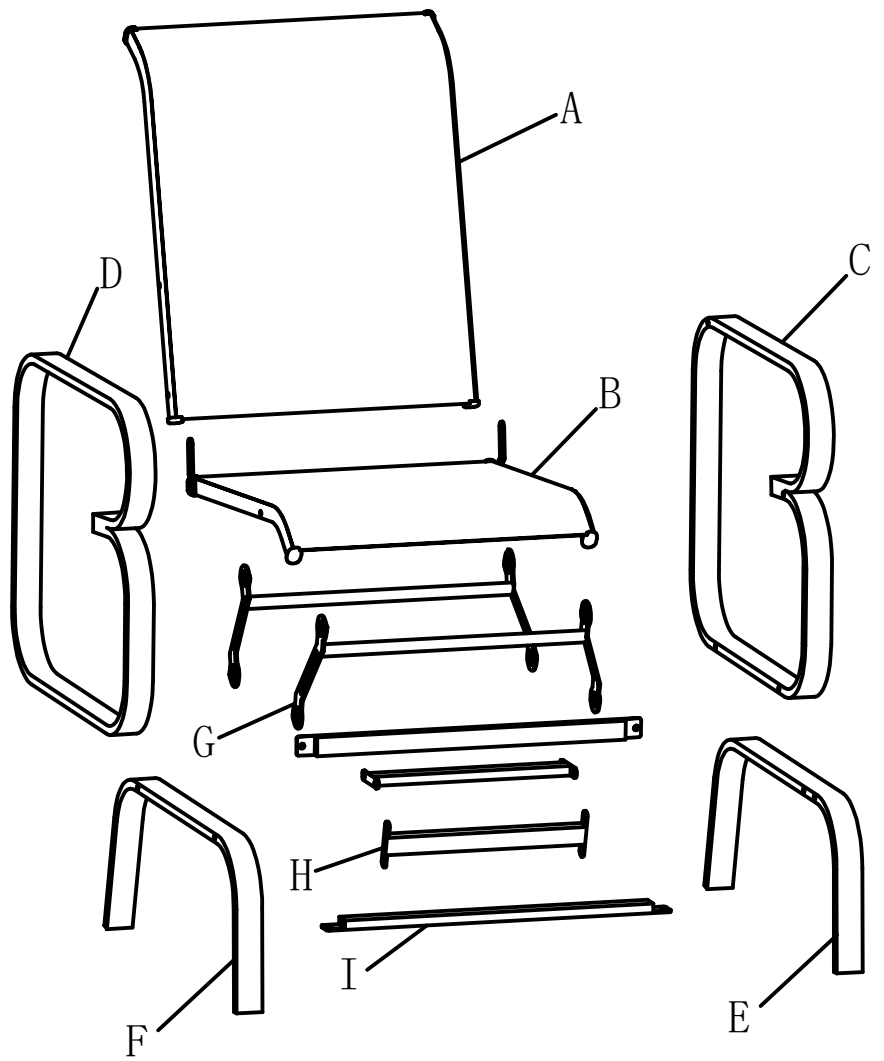
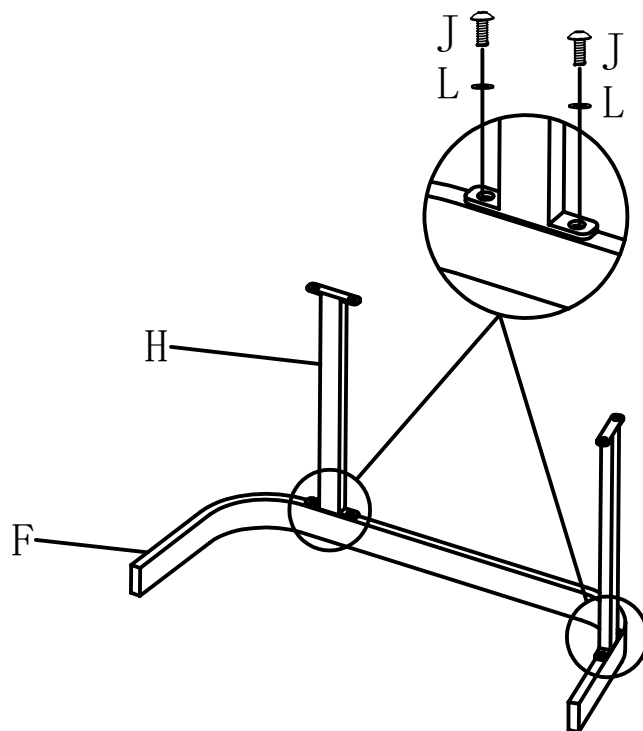


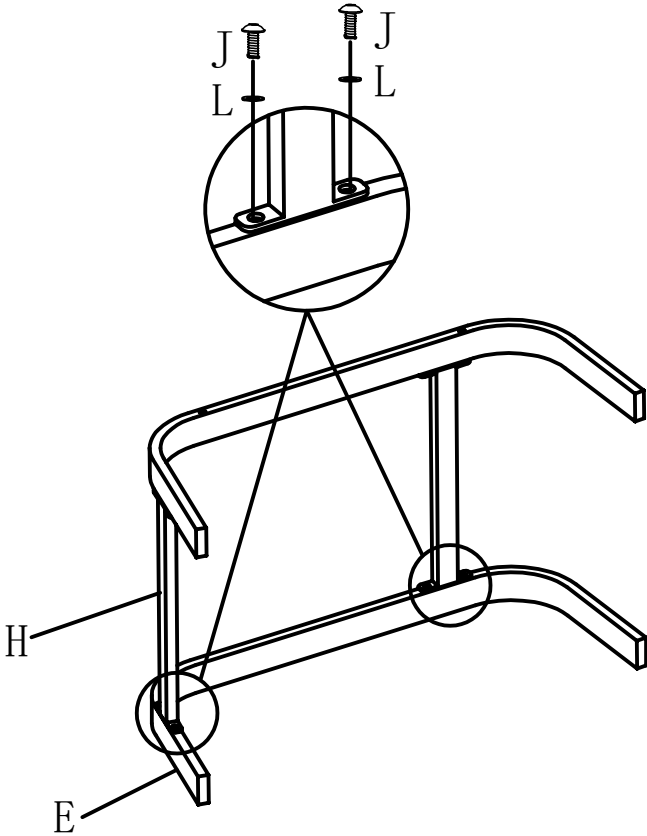
A		1
B		1
C	 L	1
D	 R	1
E	 L	1
F	 R	1
G		2
H		2
I		2
J	 M6*15	14
K	 M6*30	12
L	 $\Phi 13*\Phi 6.5*1.0$	26
M		1



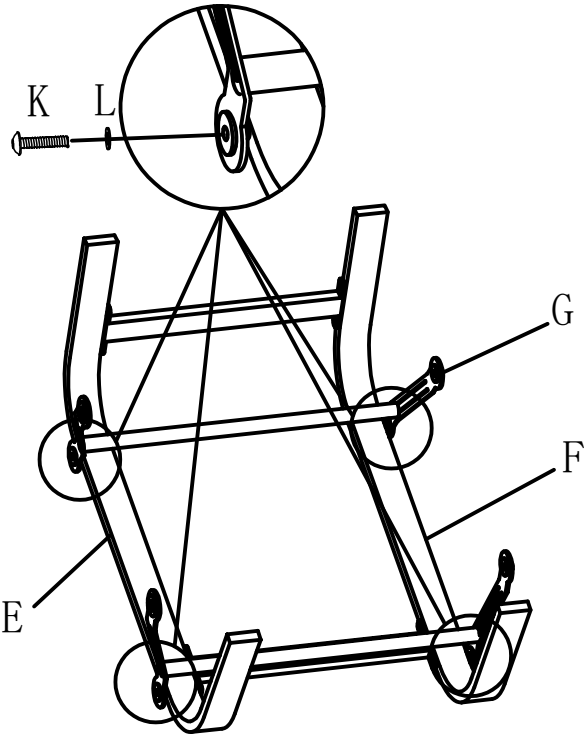
STEP1



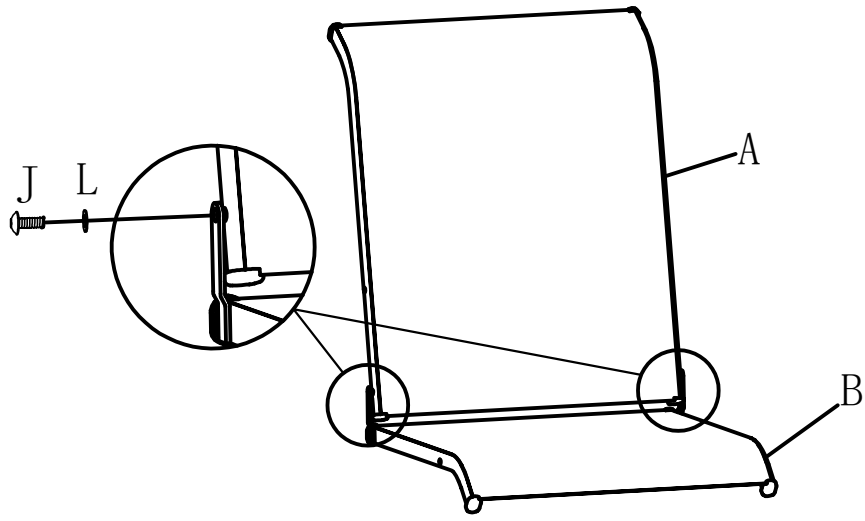
STEP2



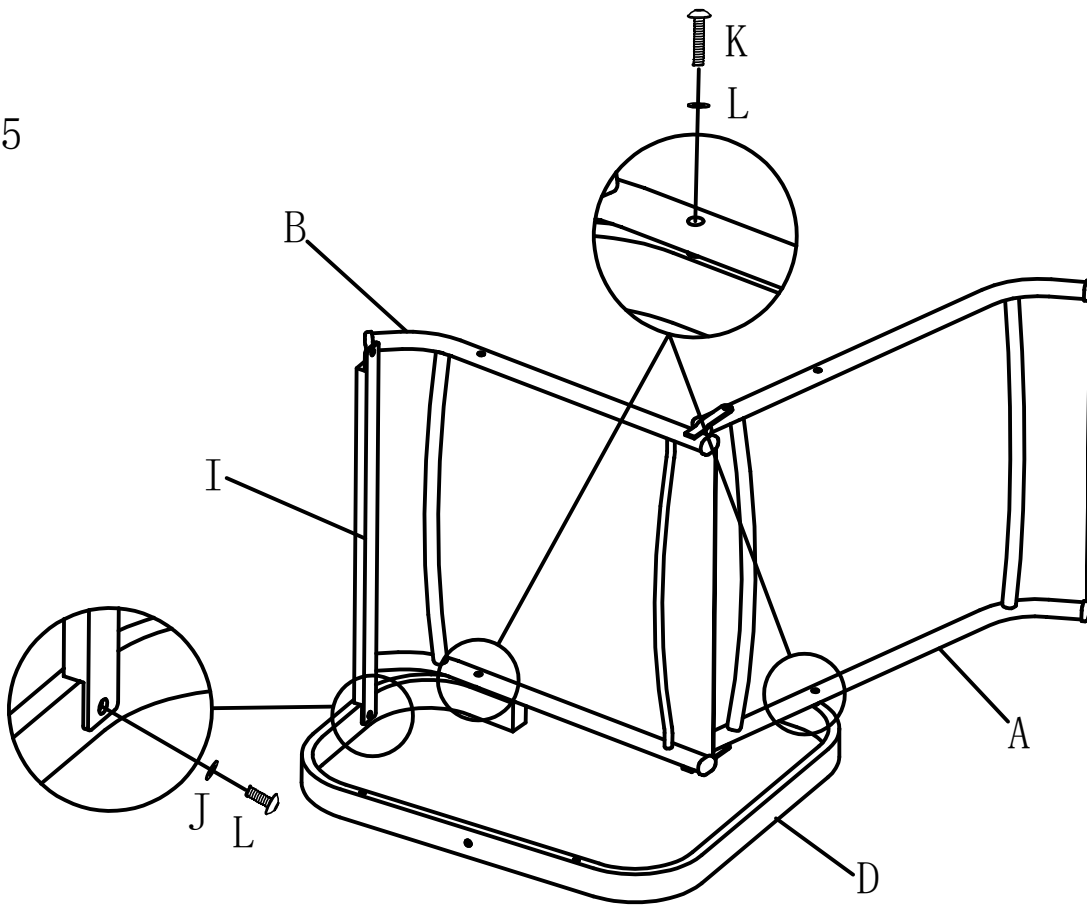
STEP3



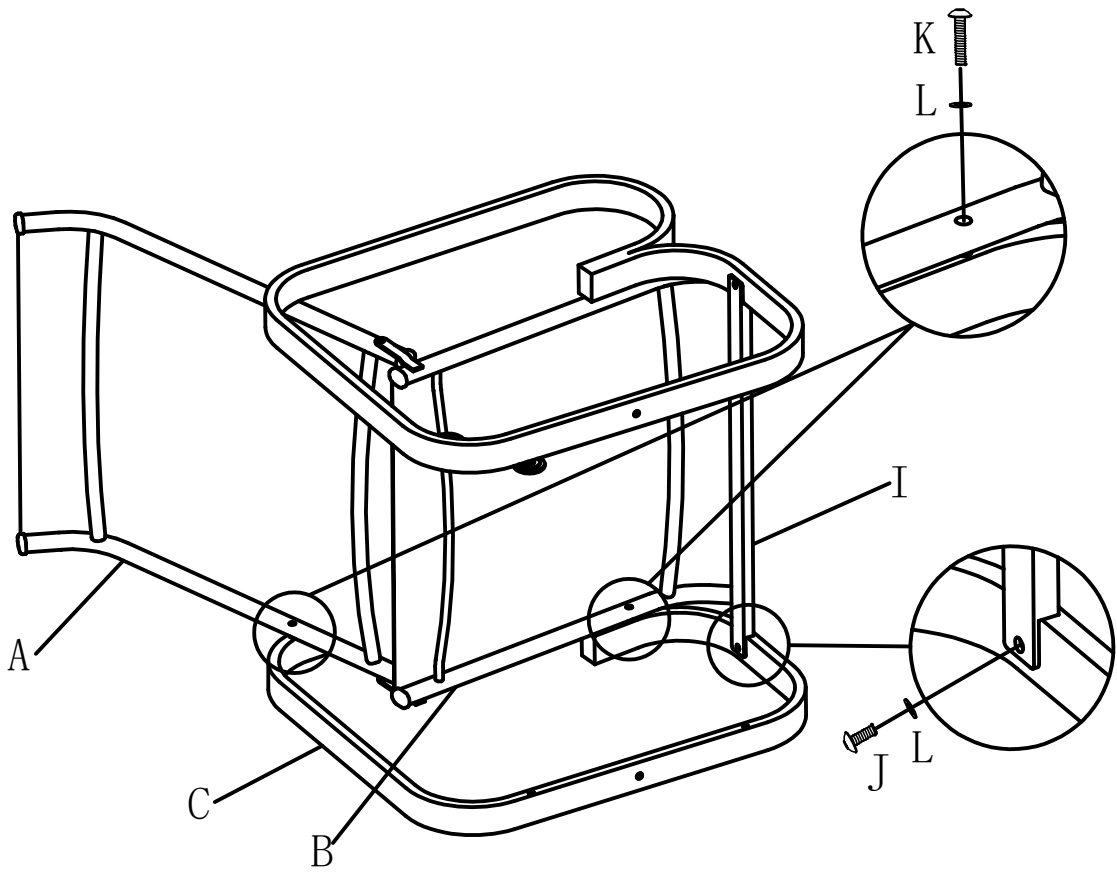
STEP4



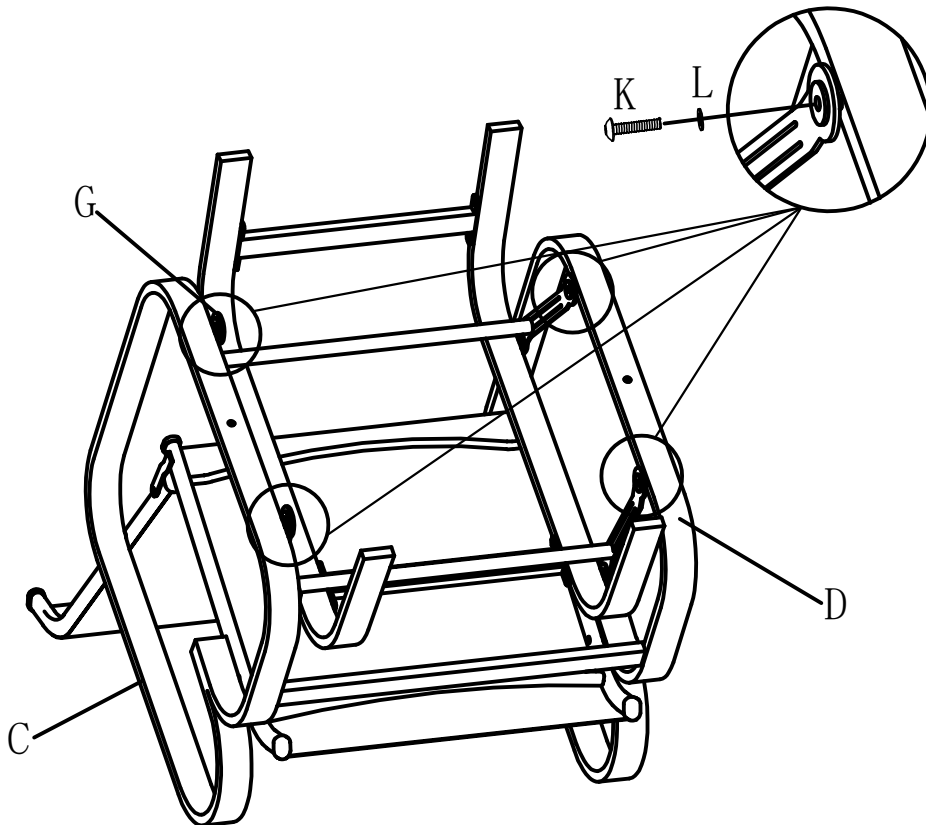
STEP5



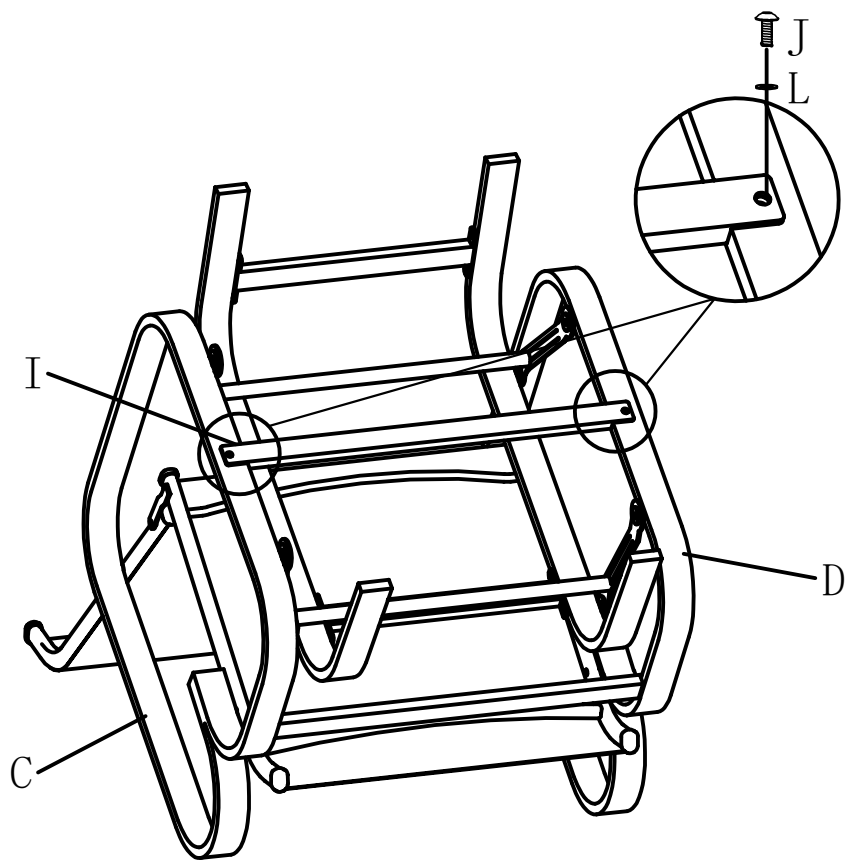
STEP6



STEP7



STEP8



STEP9

