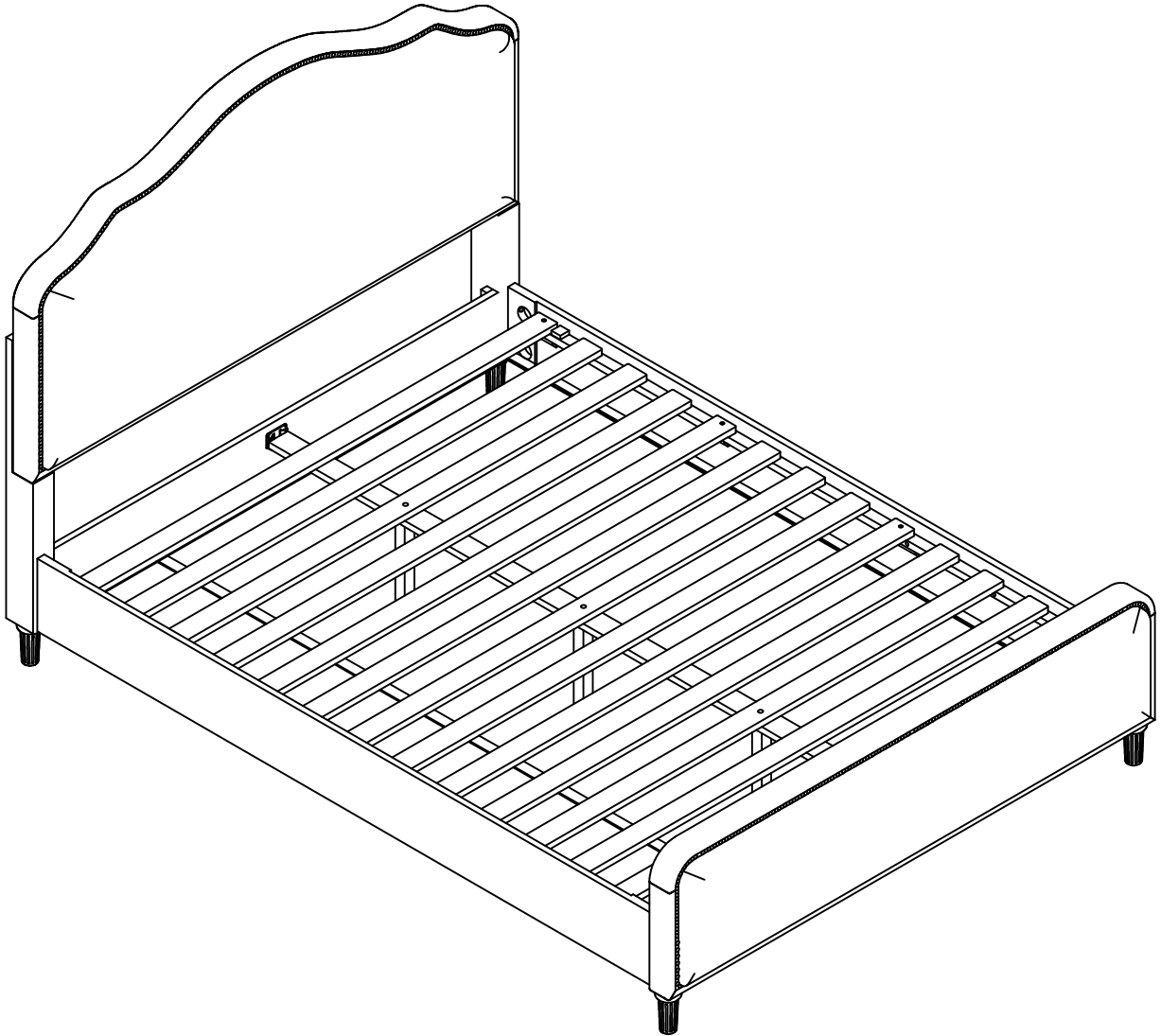


HULALA

H O M E



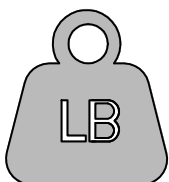
ITEM NO. BDWS1568-QB

NOTE:

This brochure contains IMPORTANT safety info. Please read and keep for future reference.

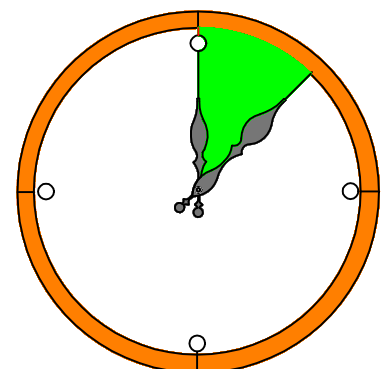
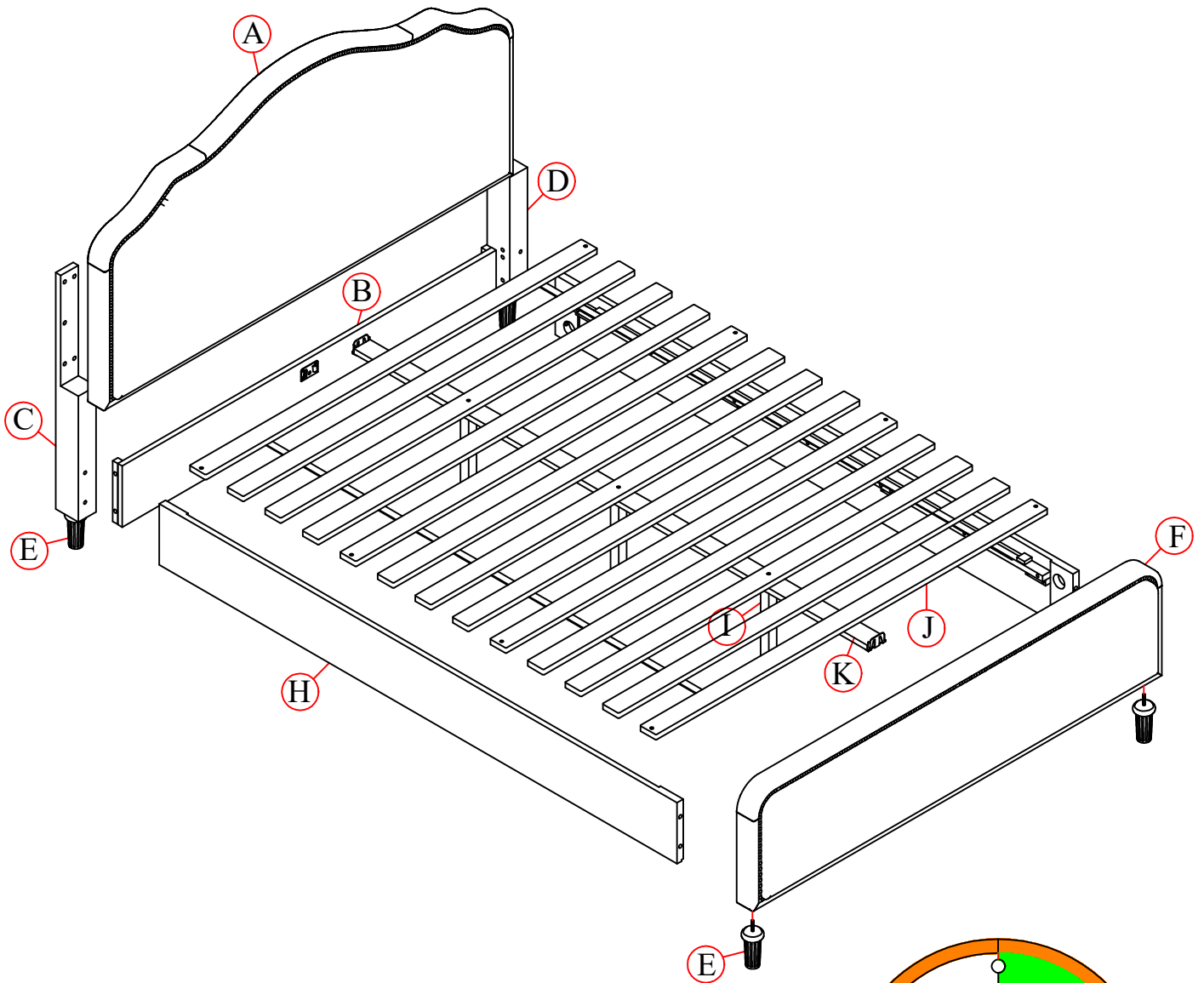
MAINTAINANCE AND WARNING

1. Keep furniture away from heat sources.
2. Do not clean furniture with harsh cleaner or polishes. Do not use detergents, solvents, abrasives, spray packs or leather cleaner. Use non-color mild soap with warm water to clean spills (Mix 1:10 soap to water).
3. Do not place furniture under direct sunlight, material will possibly fade over time.
4. Do not use on side dry cleaning machine. Children should not climb or jump on the furniture.
5. Do not write on furniture that is not protected by a padded barrier.
6. Not for commercial use, only for residential use.

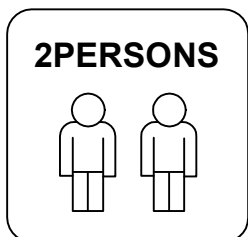


Weight limitation
700 LBS

EXPLOSIVE VIEW

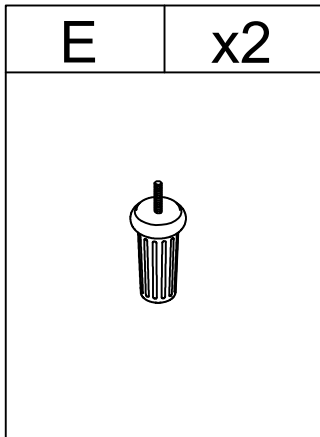
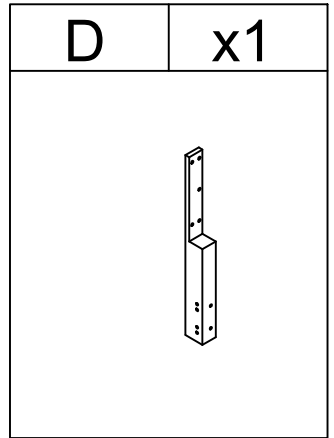
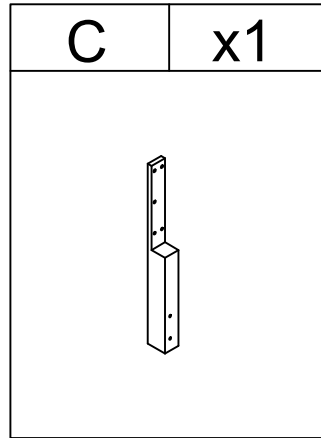
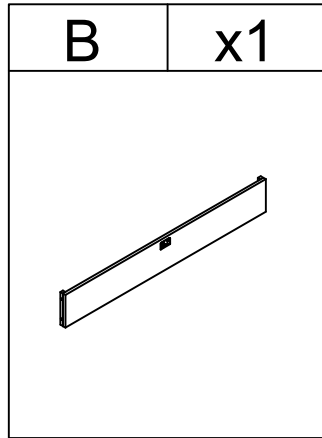
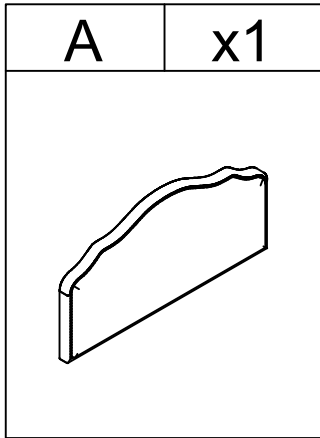


Around **30** mins

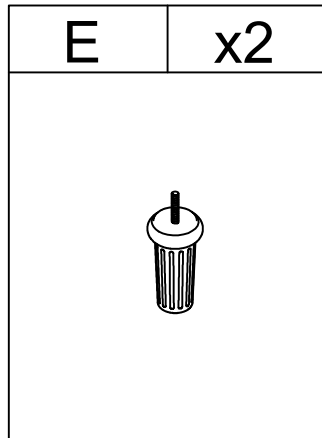
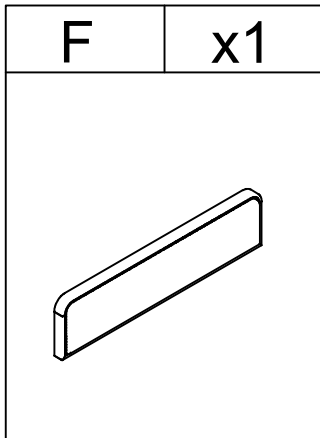


OVERVIEW

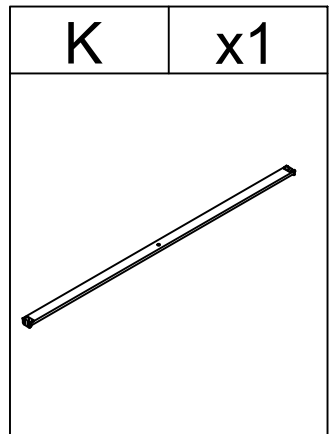
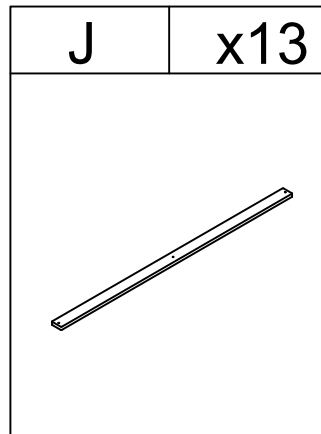
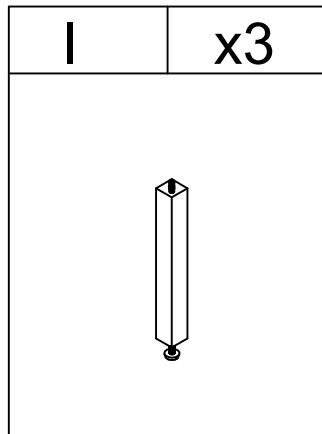
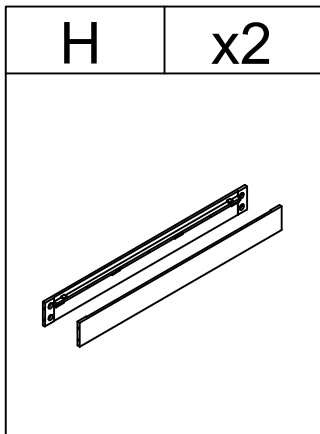
BDWS1568-QB-WAL-A PARTS LIST



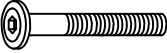


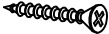
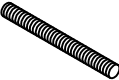



BDWS1568-QB-WAL-B PARTS LIST



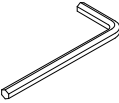
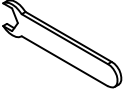
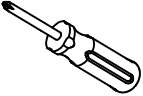
BDWS1568-QB-WAL-C PARTS LIST



HARDWARE LIST (BDWS1568-QB-WAL-C)

#1	x14	#2	x14	#3	x14	#4	x8
							
Bolt (Ø5/16**45mm)		Spring Washer Ø5/16"		Flat Washer Ø5/16**19mm*2mm		M4*25mm	
#5	x8	#6	x8	#7	x8	#8	x4
							
Ø5/16"*78mm		Ø5/16"*12mm		29*14*7mm		Ø8**30mm	

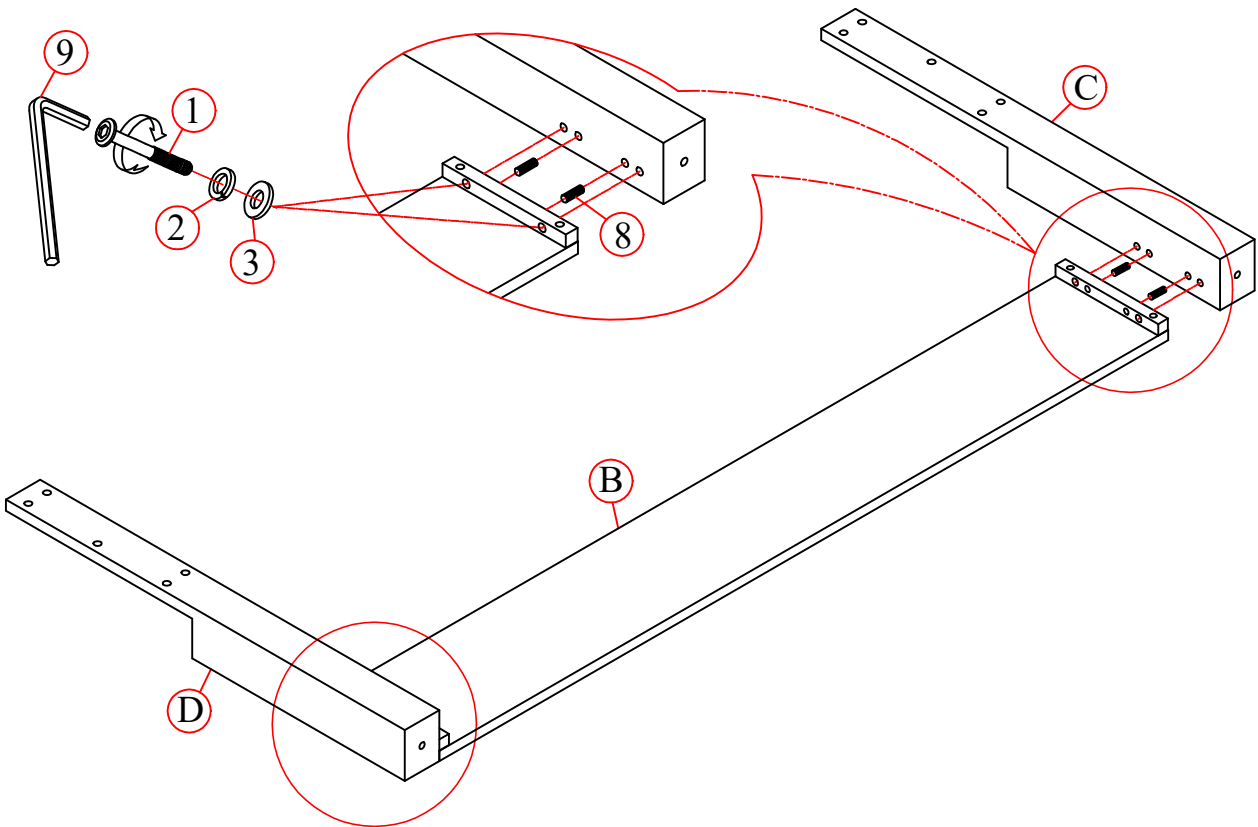
TOOL LIST (BDWS1568-QB-WAL-C)

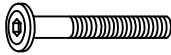



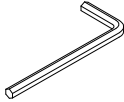
#9	x1	#10	x1	#11	x1
					
Allen Key 4mm		M 12		(Not provided)	

ASSEMBLY INSTRUCTIONS

STEP-1

1. Use bolt (#1) to attach brace (#B) to post (#C,#D)

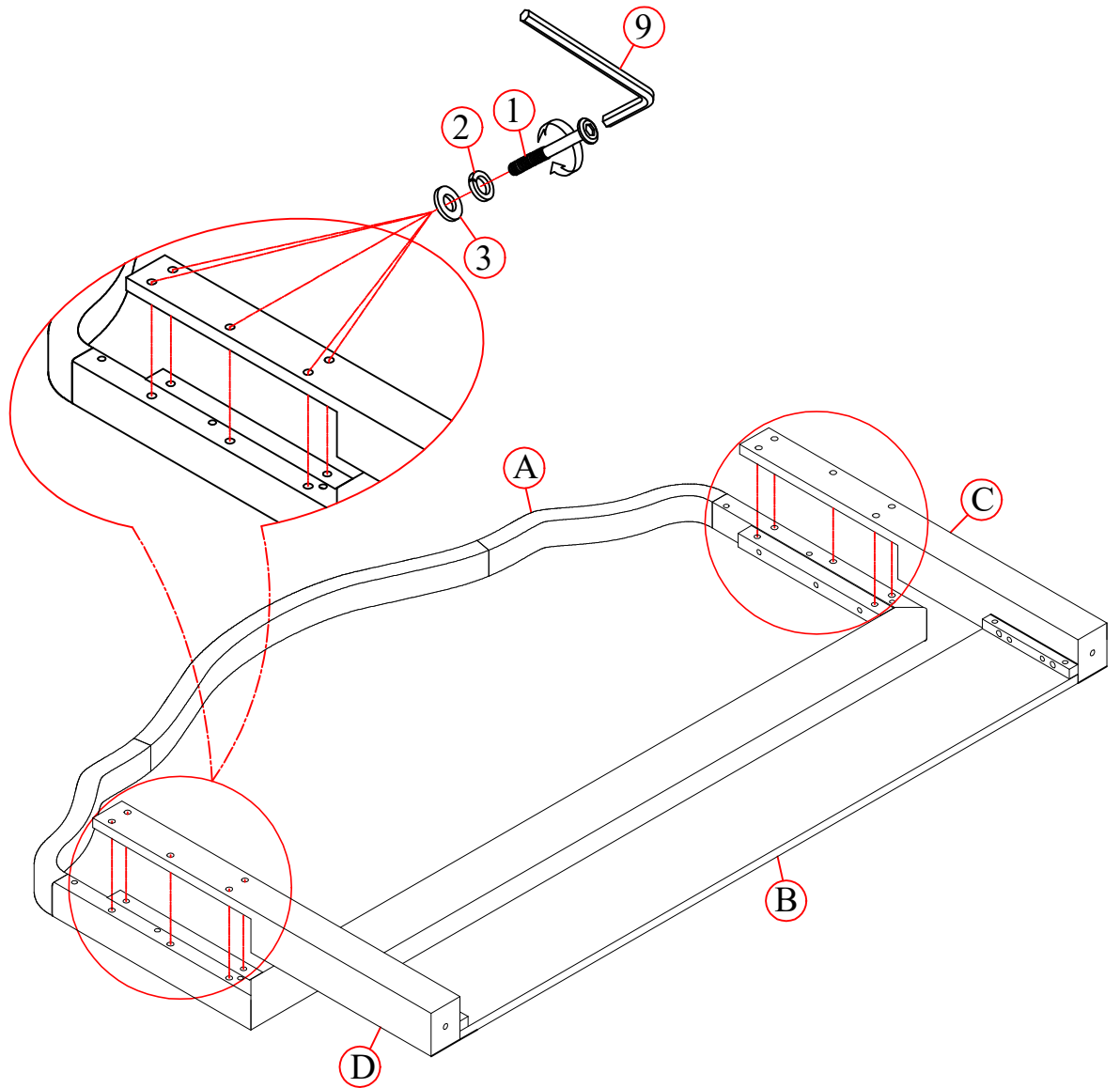


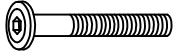


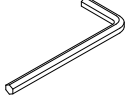
#1	x4	#2	x4	#3	x4	#8	x4	#9	x1
									
Bolt (Ø5/16**45mm)		Spring Washer Ø5/16"		Flat Washer Ø5/16**19mm*2mm		Ø8**30mm		Allen Key 4mm	

ASSEMBLY INSTRUCTIONS

STEP-2

1. Use bolt (#1) to assemble post (#C&#D) to the headboard (#A).

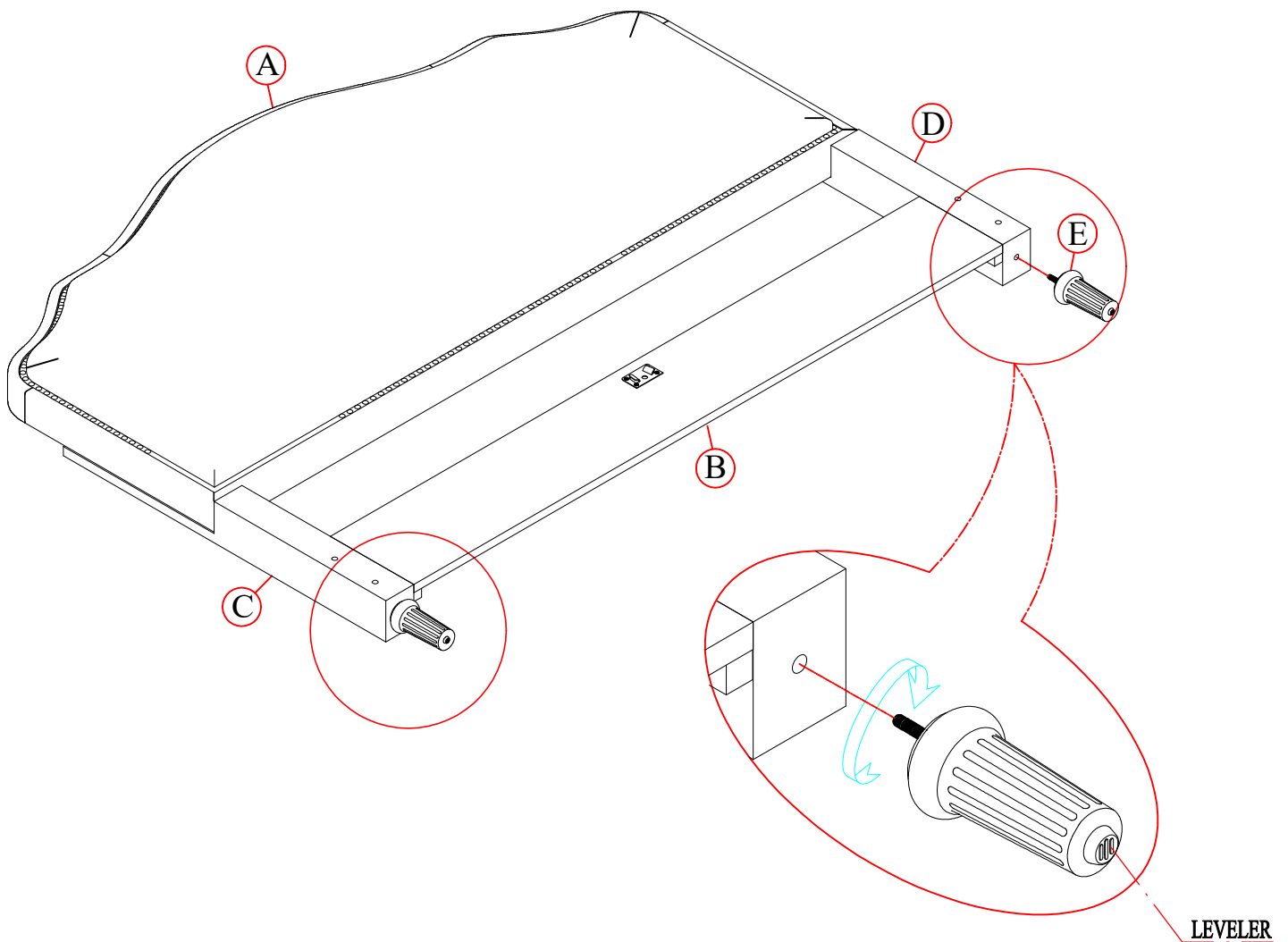


#1	x10	#2	x10	#3	x10	#9	x1
							
Bolt (Ø5/16**45mm)		Spring Washer Ø5/16"		Flat Washer Ø5/16**19mm*2mm		Allen Key 4mm	

ASSEMBLY INSTRUCTIONS

STEP-3

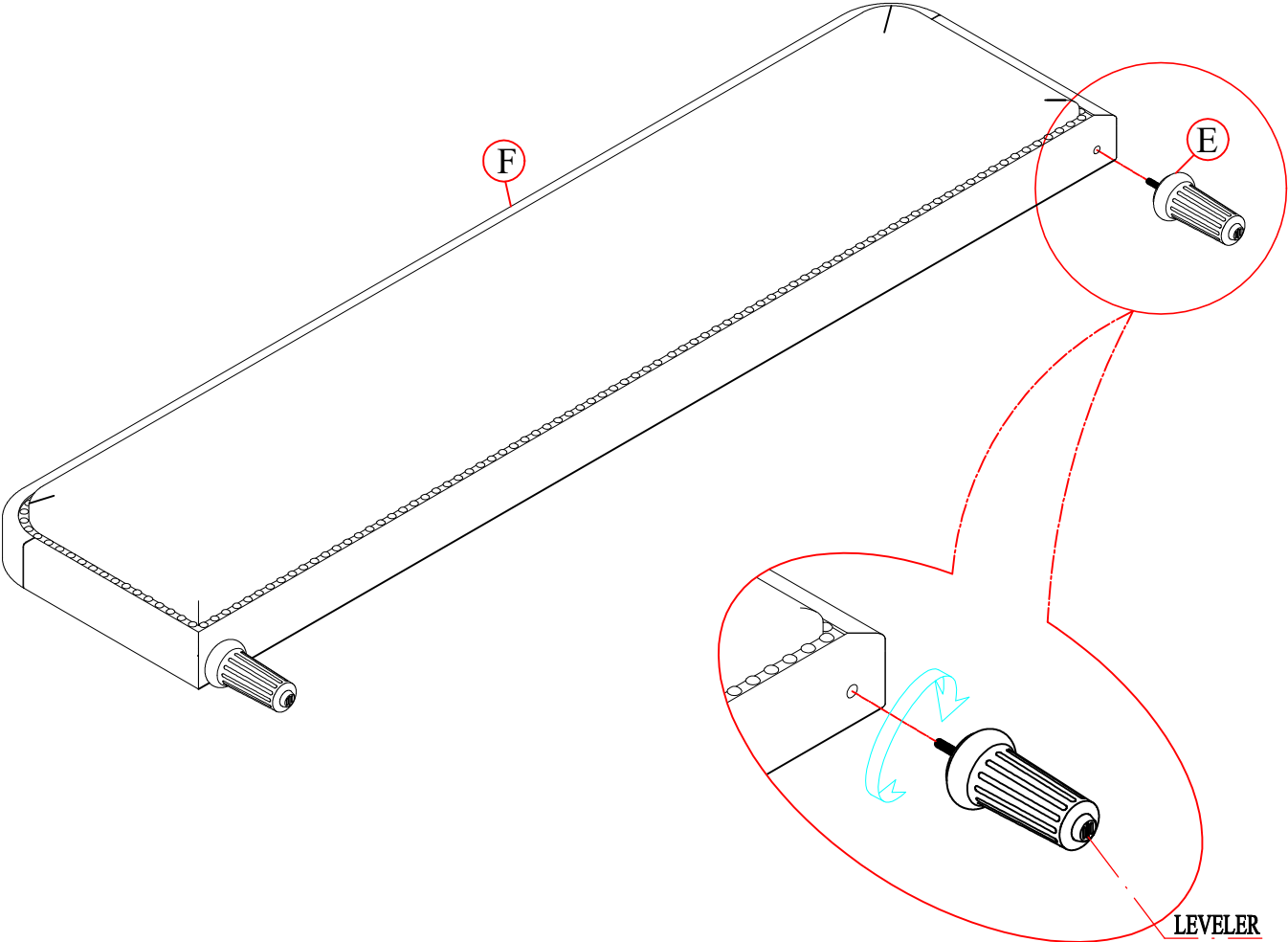
1. Attach leg (#E) to post (#C&#D).



ASSEMBLY INSTRUCTIONS

STEP-4

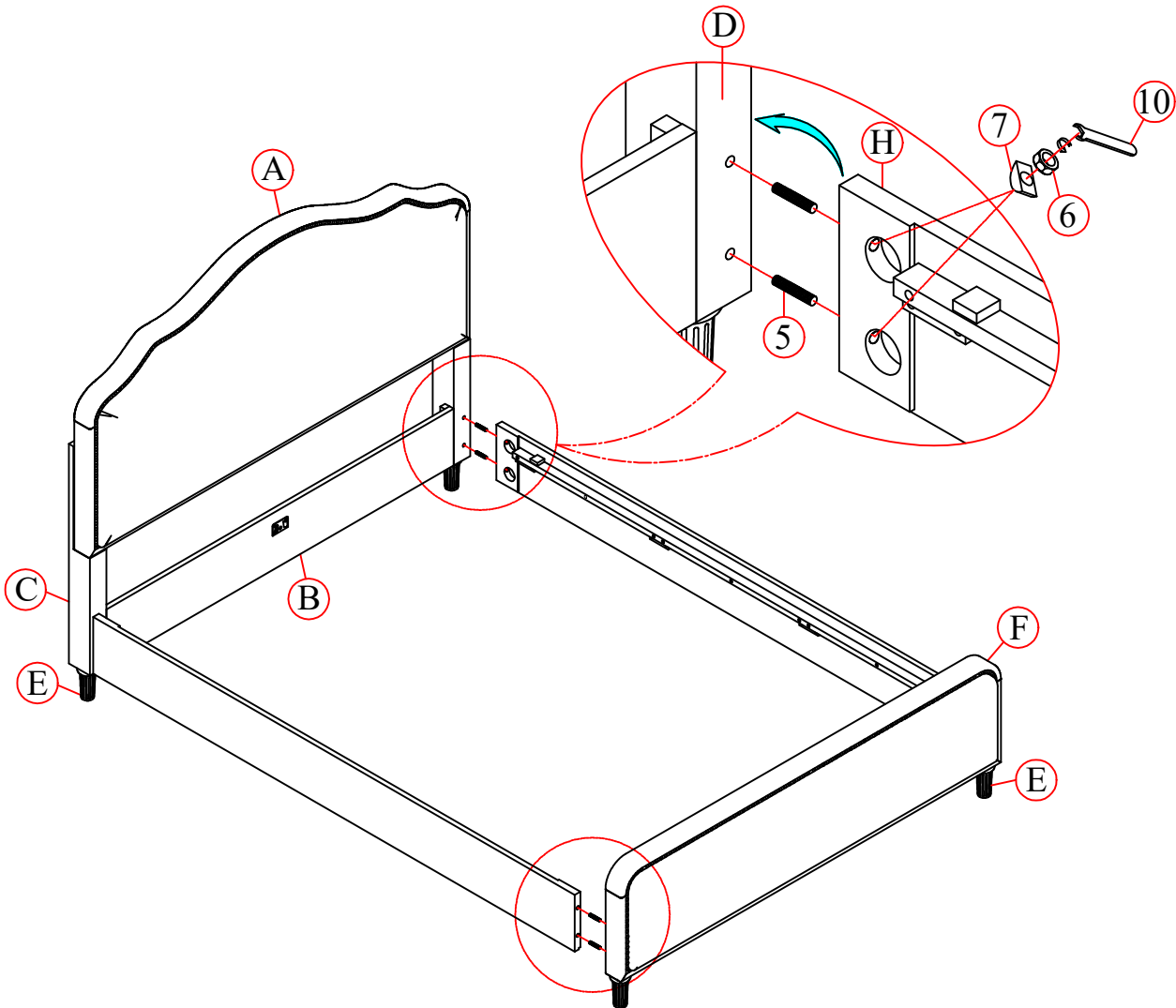
1. Attach leg (#E) to the footboard (#F).

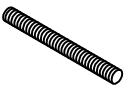


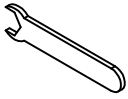


ASSEMBLY INSTRUCTIONS

STEP-5

1. Use bolt (#5) to attach side rails (#H) to the headboard (#A) and footboard (#F).

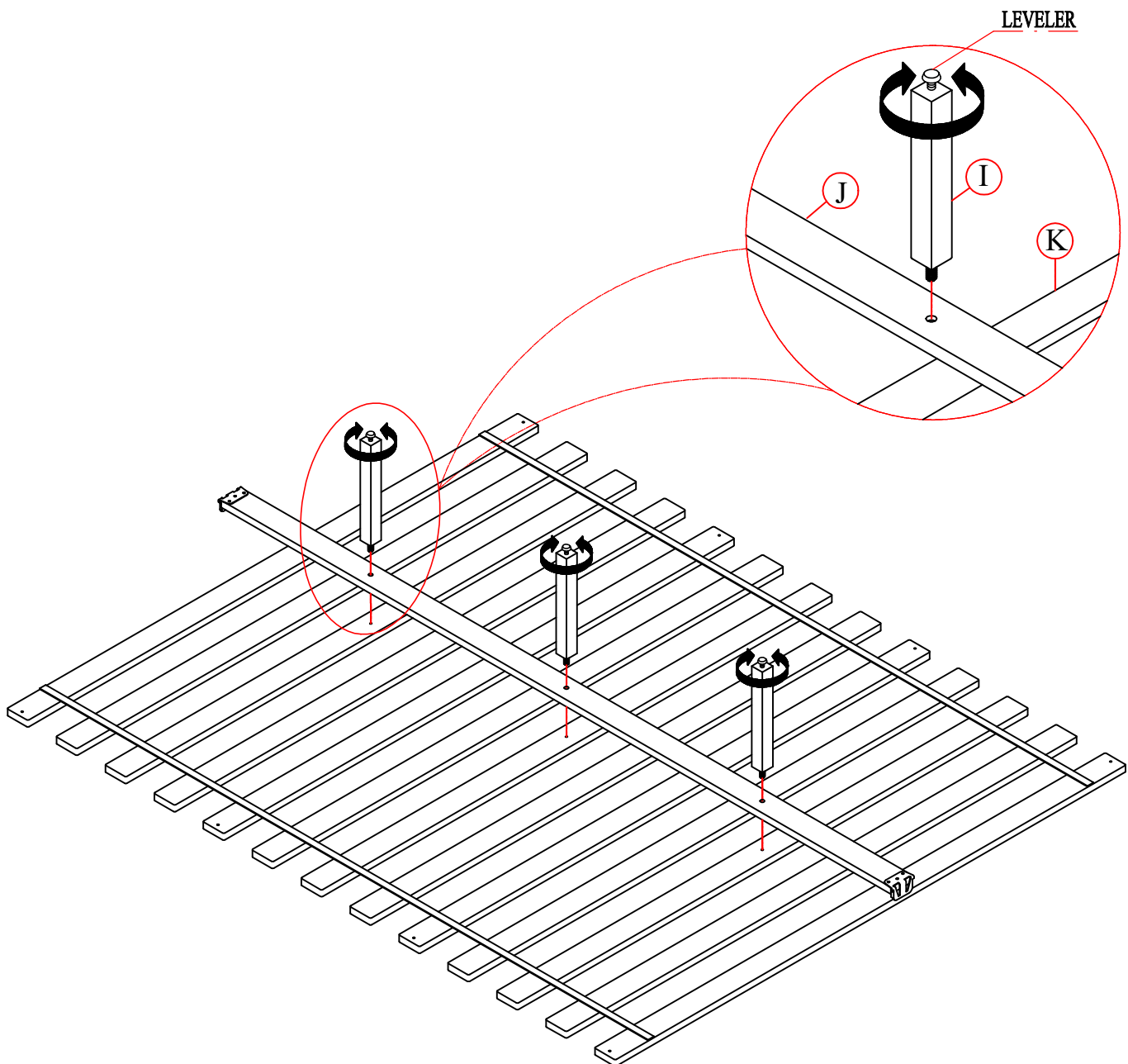


#5	x8	#6	x8	#7	x8	#10	x1
							
Ø5/16"*78mm		Ø5/16"*12mm		29*14*7mm		M 12	

ASSEMBLY INSTRUCTIONS

STEP-6

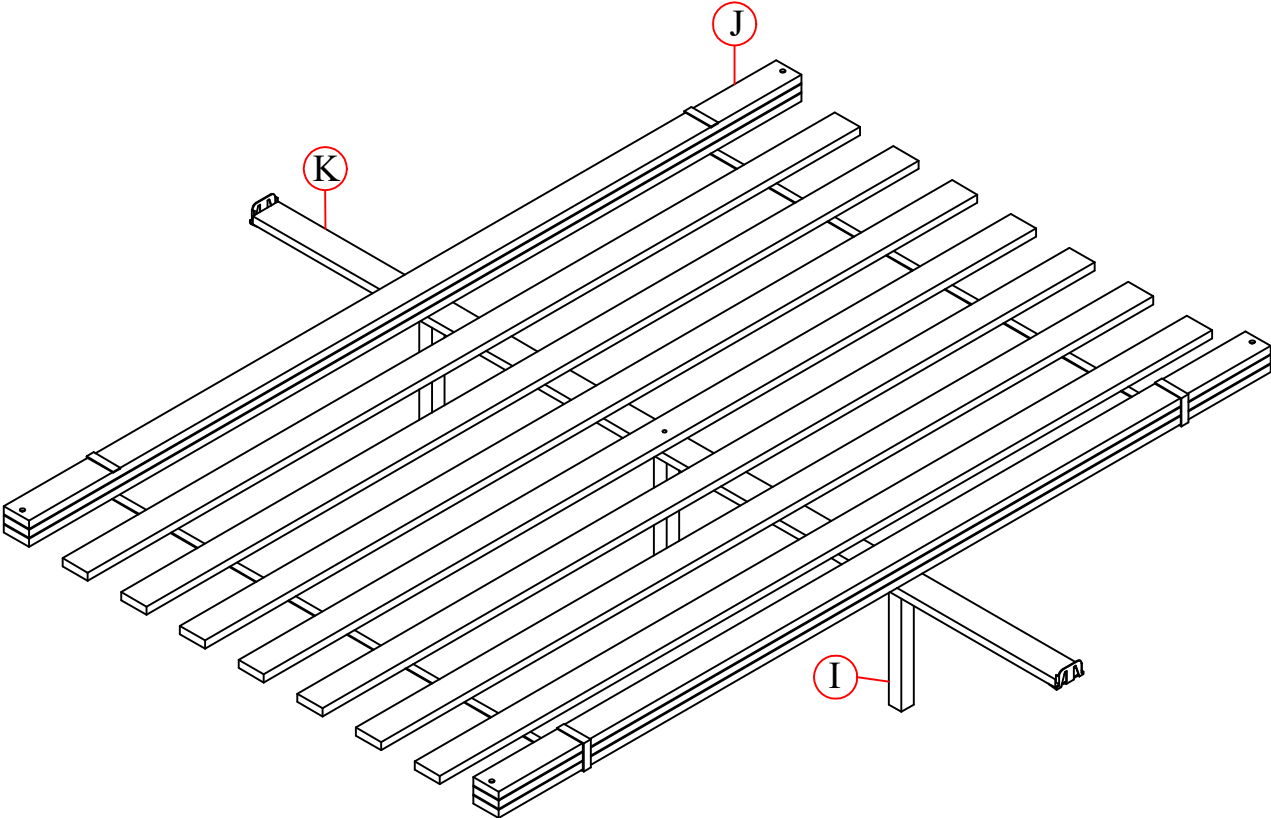
1. Attach support leg (#I) to slats (#J) and (#K) as shown in the instructions below.



ASSEMBLY INSTRUCTIONS

STEP-7

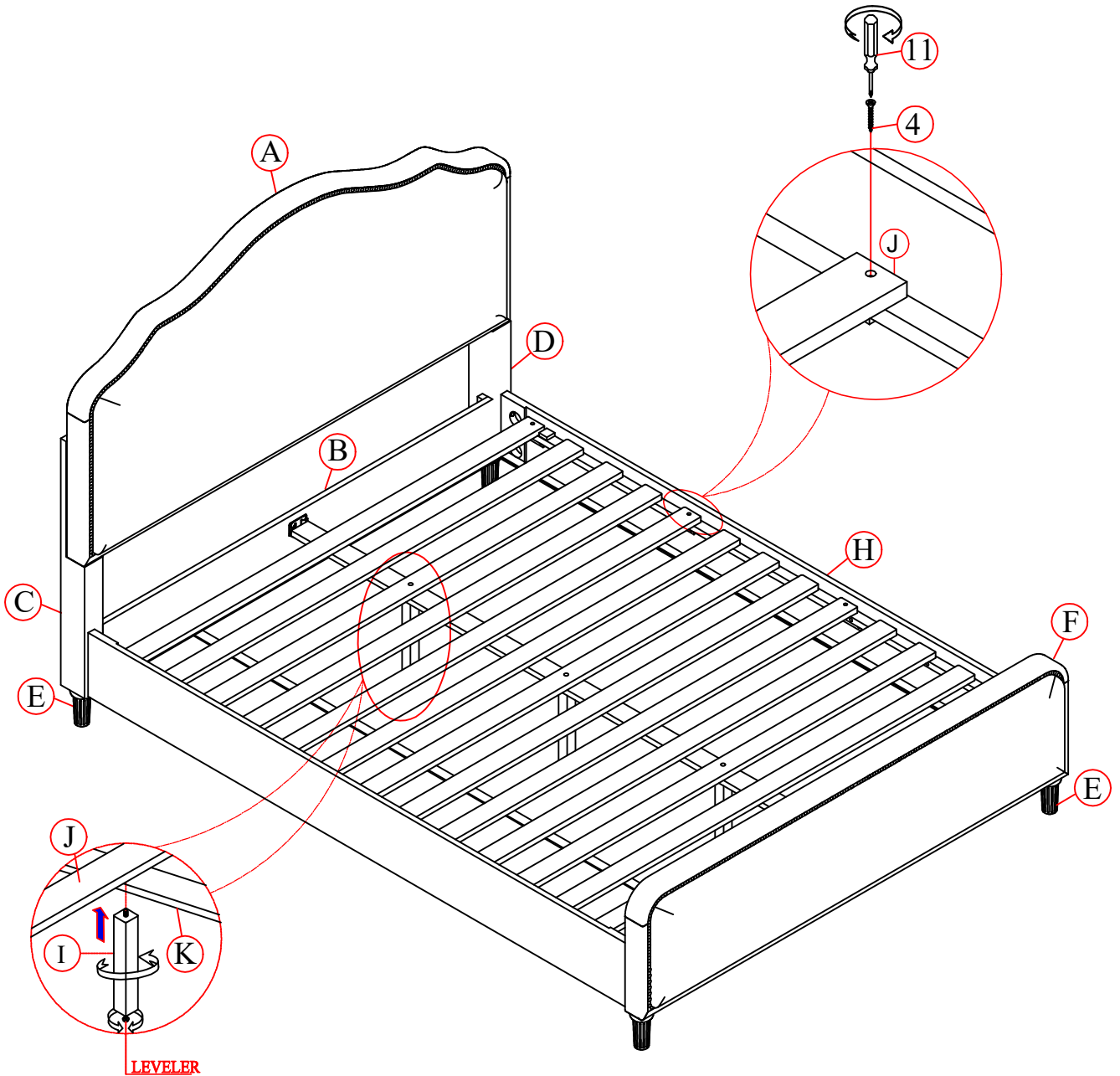
1. Lay out the bed slats (#J) as shown in the instructions below.

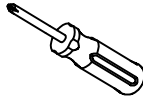
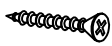


ASSEMBLY INSTRUCTIONS

STEP-8

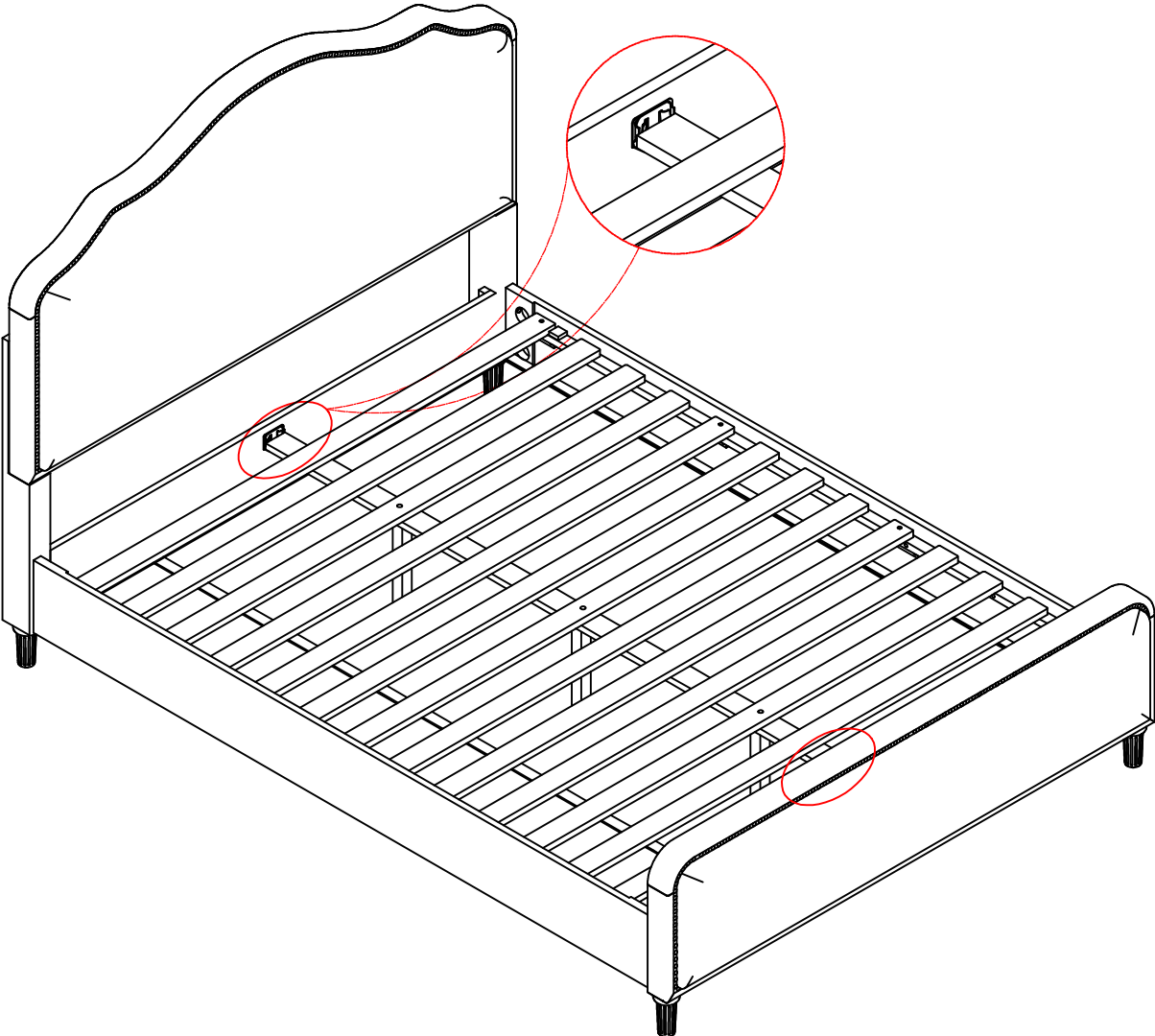
1. Screw (#4) into bed slat (#J).



#11	x1	#4	x8
			
(Not provided)		M4*25mm	

ASSEMBLY INSTRUCTIONS

COMPLETE



WARRANTY

1. We strive to offer high-quality products and we also try our best to satisfy each and every customer that orders from us with product or service as needed.
2. We provide 30 days warranty starting from the time you receive the item. Each customer must provide a record of their order such as the order number, or item receipt for any items that are out of the warranty period you may also still receive.
3. Replacement parts by purchasing them with our company if they are available.

Are you having difficulty
With assembly? Missing parts?
Please send email with your order No to
customerservice@hulalahome.com
For return, please check the return policy with
the retailer or market place you bought from.

Appreciate your purchasing from us.
Pop up your life by our furniture piece!