

# artos<sup>®</sup>

## F302-7

## INSTALLATION GUIDE

3-hole wall mount tub filler

r+s

BRUSHED NICKEL(BN)



CHROME(CH)



BLACK (BK)



CHROME+BLACK(CHB)



# artos<sup>®</sup>

## F302-7

3-hole wall mount tub filler  
r+s

## OPERATING SPECIFICATIONS

for associated valves | F906A-V0

### OPERATING PRESSURE

Minimum: 15 psi  
Maximum: 125 psi

### FLOW CAPACITY

5.6USGPM@60 psi (each valve)  
TOTAL= 11.2USGPM

### INLET/OUTLET

1/2" Male NPT

### STANDARDS

ASSE 1016.ASME A112.18.1/CSA B123.1 Certified

### CODES

CUPC Approved



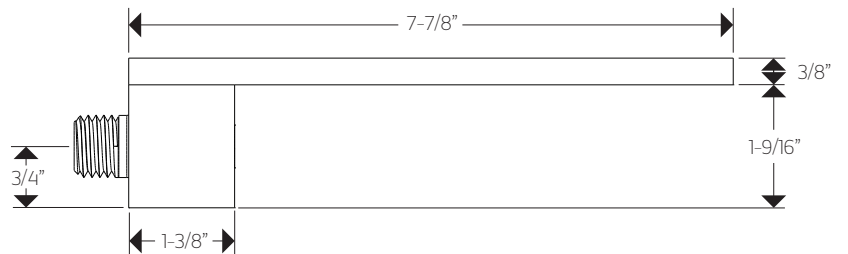
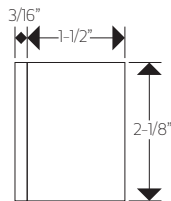
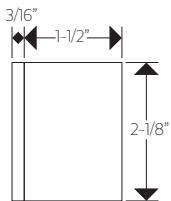
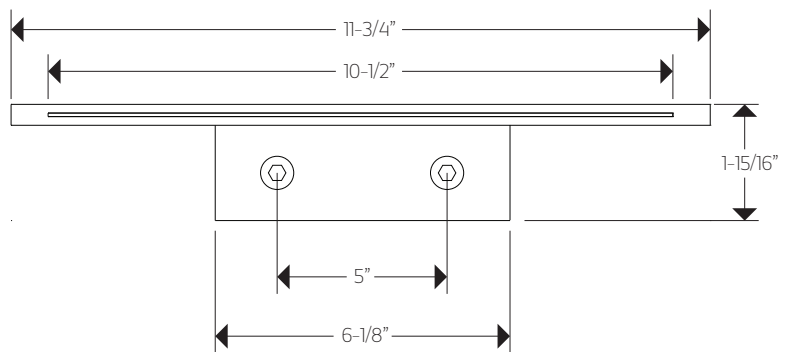
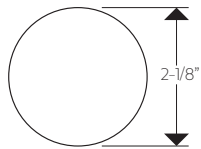
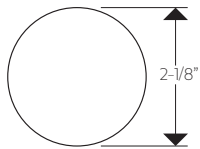
# artos<sup>®</sup>

F302-7

## PRODUCT DIMENSIONS

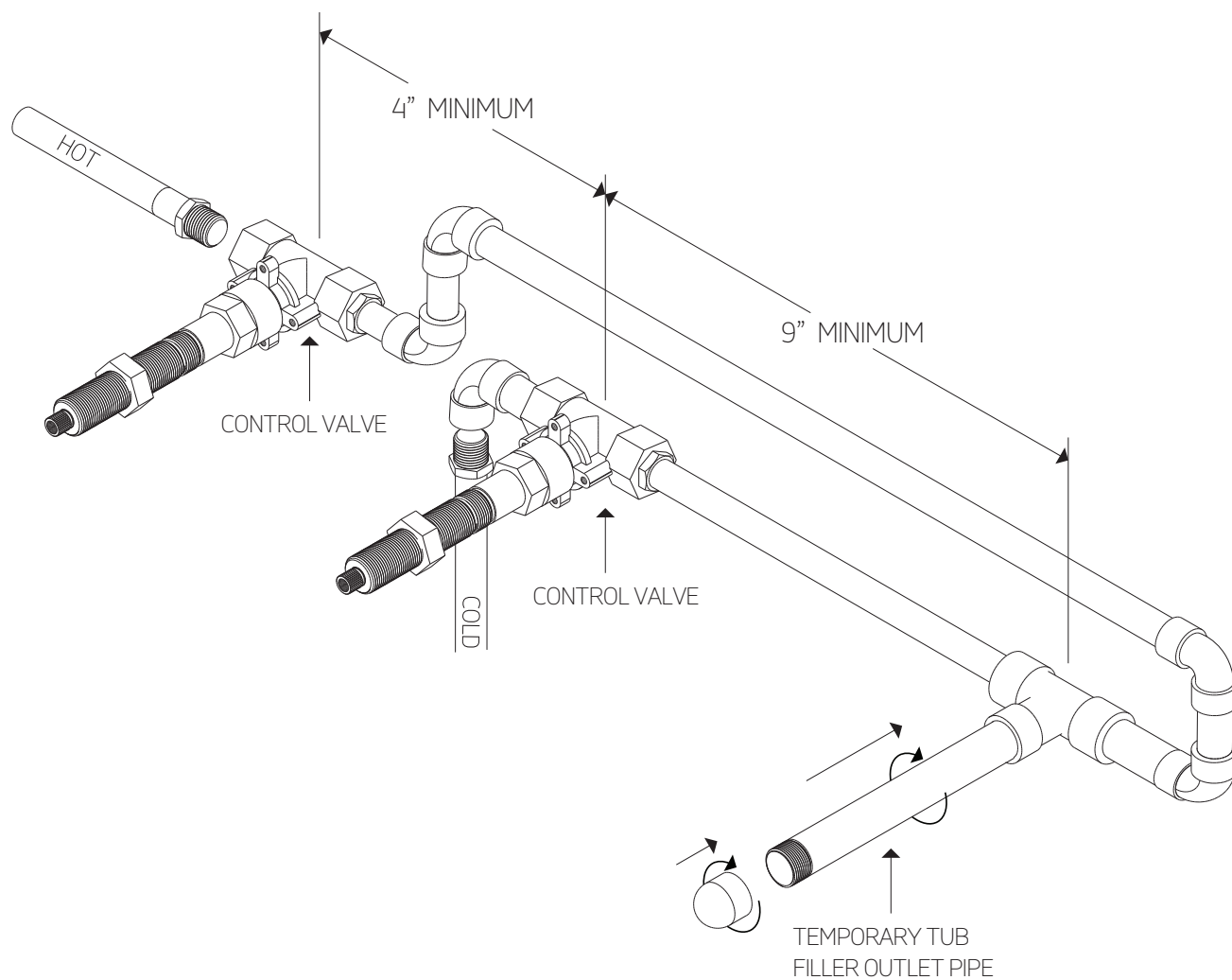
3-hole wall mount tub filler

r+s



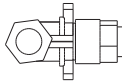
### STEP 1

**IMPORTANT: IF USING HEAT NEAR THE VALVE BODY PLEASE REMOVE CARTRIDGE.**  
**\*VALVE AND TUB FILLER PLACEMENTS ARE SUGGESTIONS**



# INSTALLATION STEPS

## STEP 2

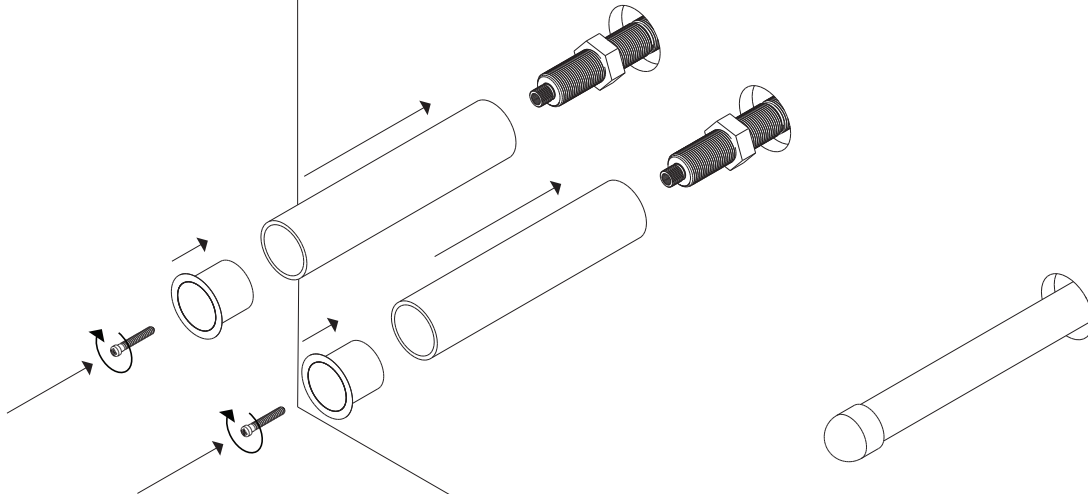


FRONT OF VALVES TO  
FINISH WALL SURFACE  
**MAX= 3"**  
**MIN= 1"**

**1-1/2"**  
HOLES THROUGH  
FINISHED WALL



## STEP 3



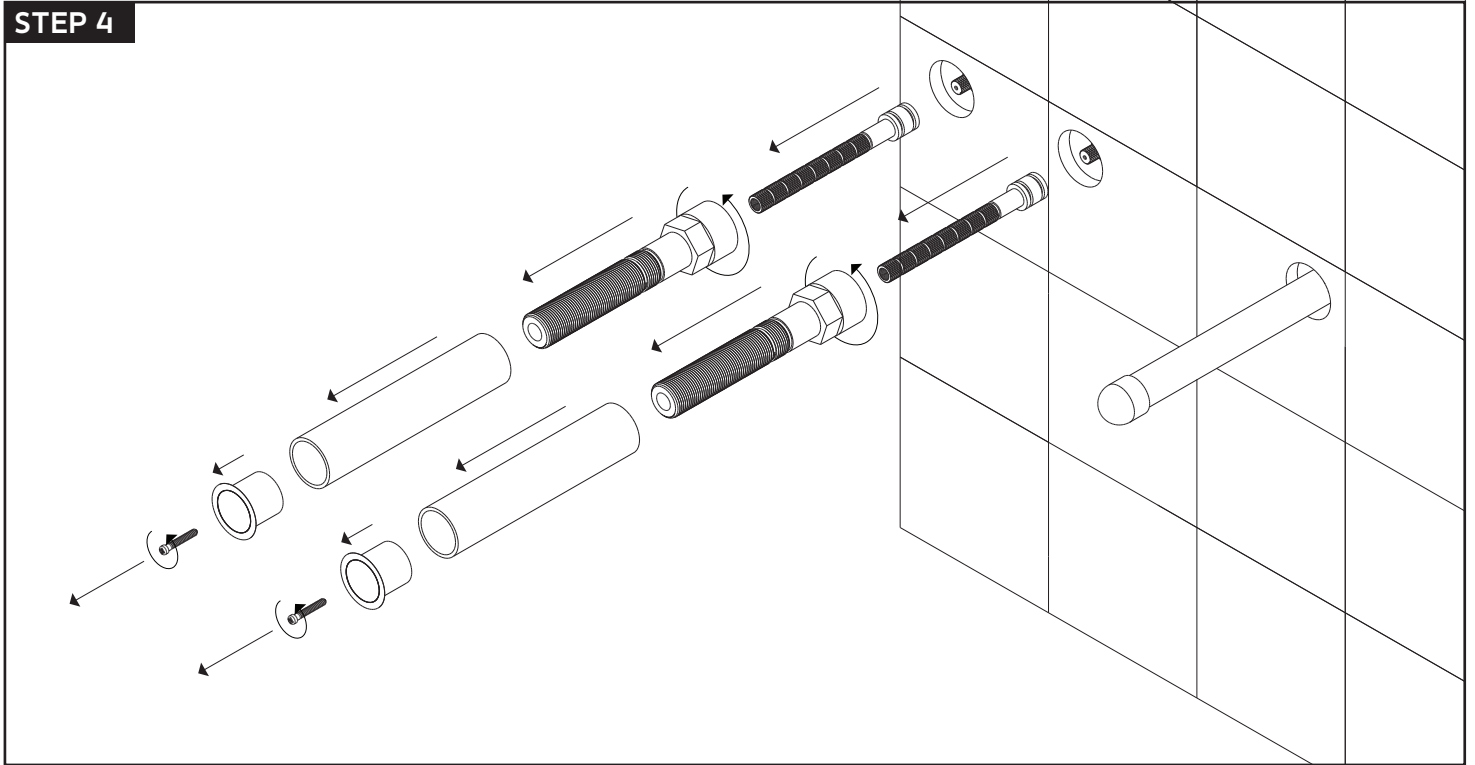
# artos<sup>®</sup>

F302-7

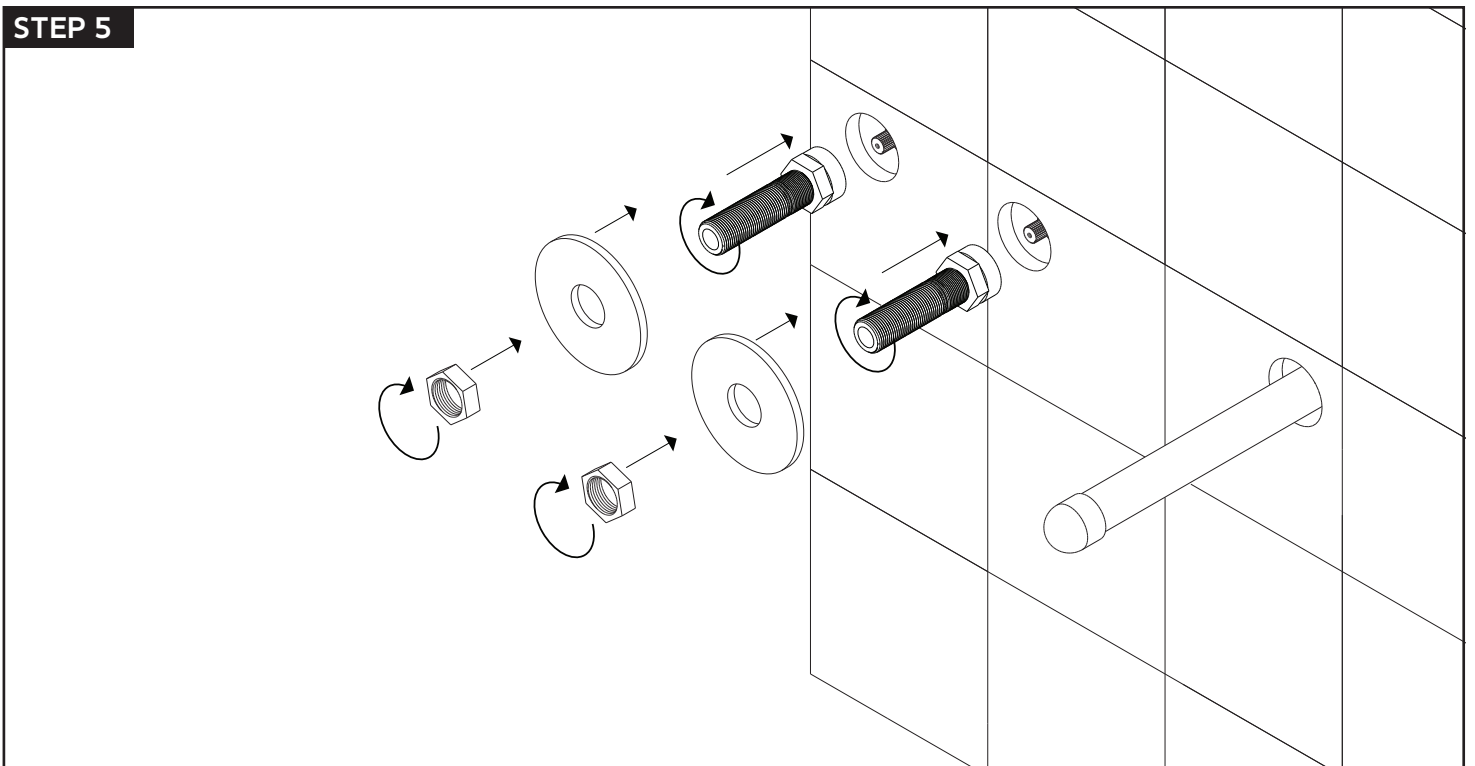
3-hole wall mount tub filler

r+s

## STEP 4

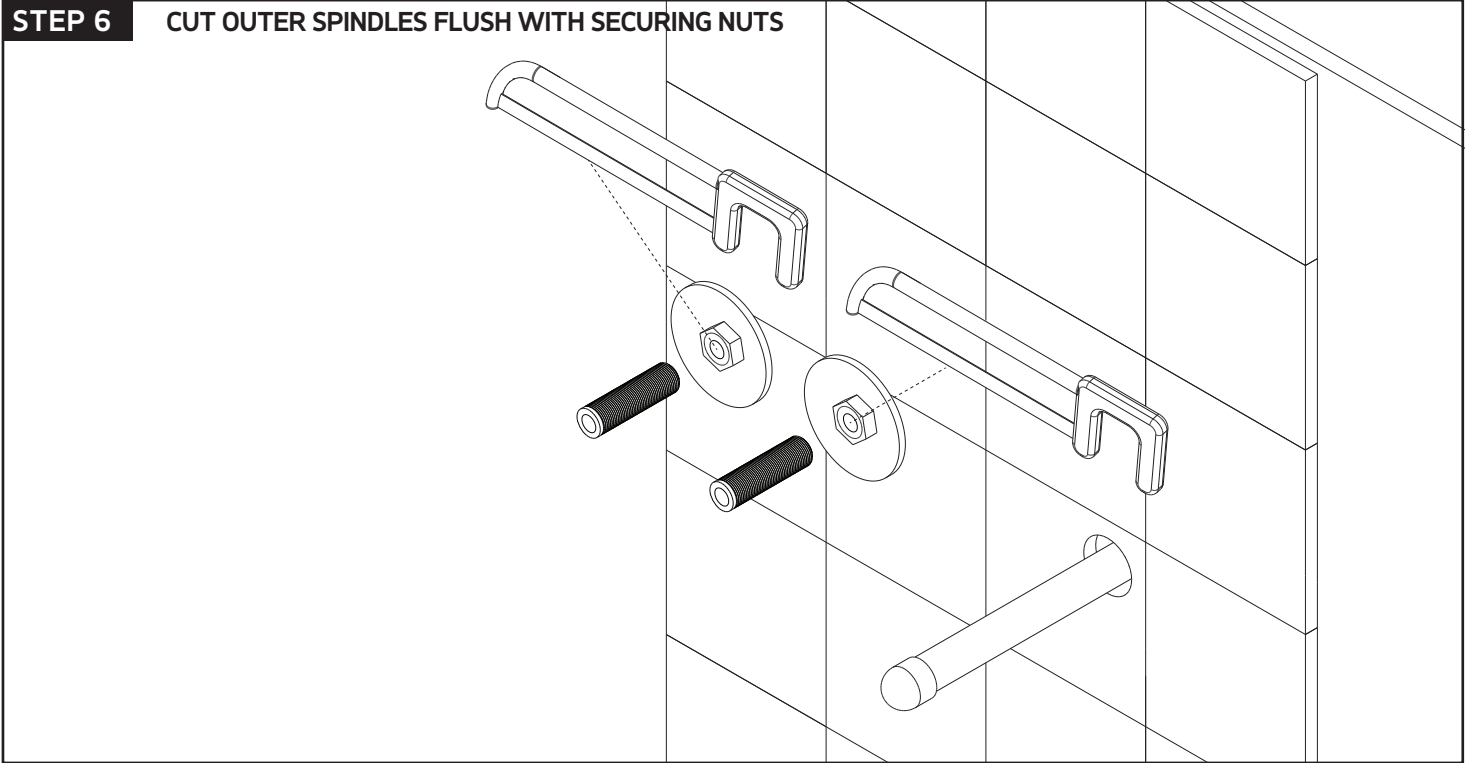


## STEP 5

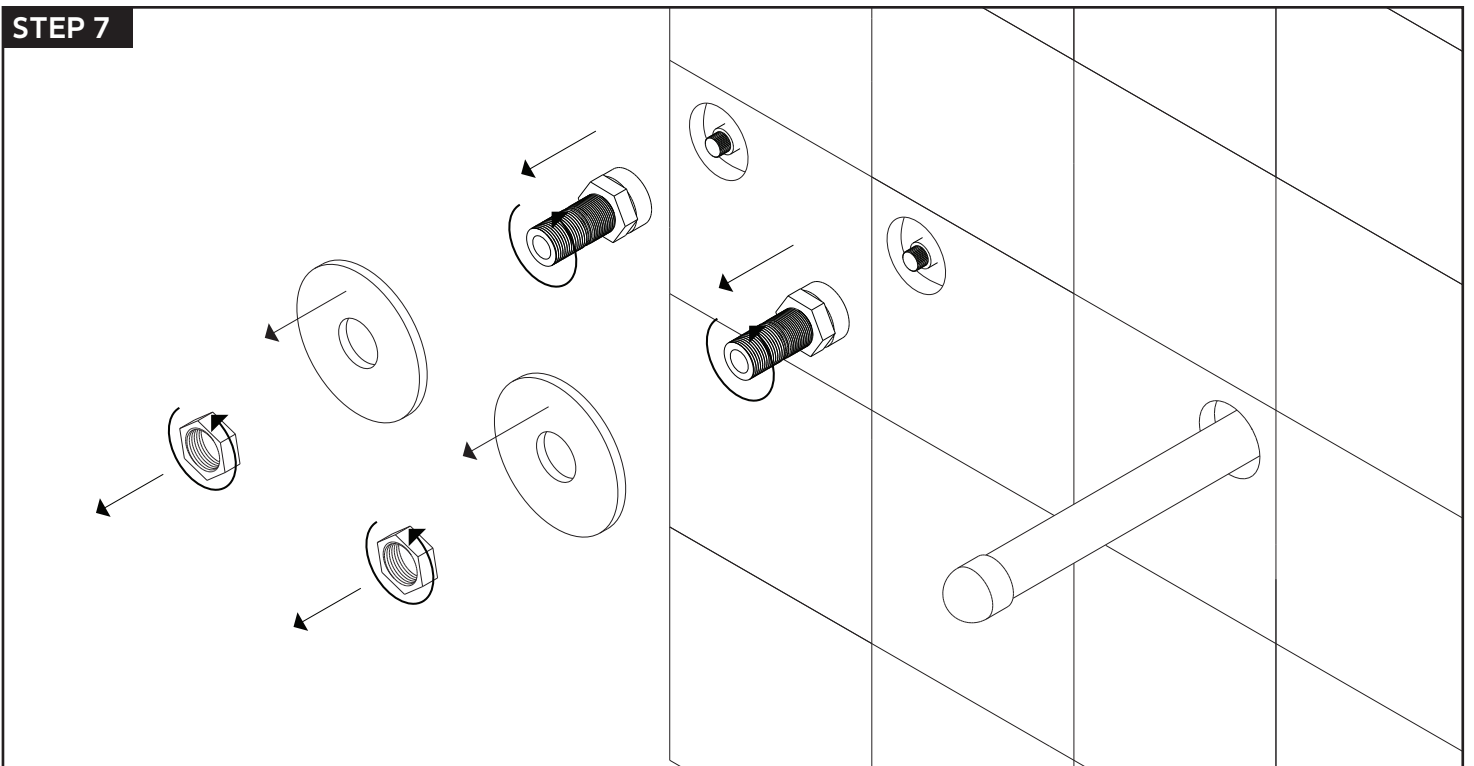


# INSTALLATION STEPS

## STEP 6 CUT OUTER SPINDLES FLUSH WITH SECURING NUTS



## STEP 7



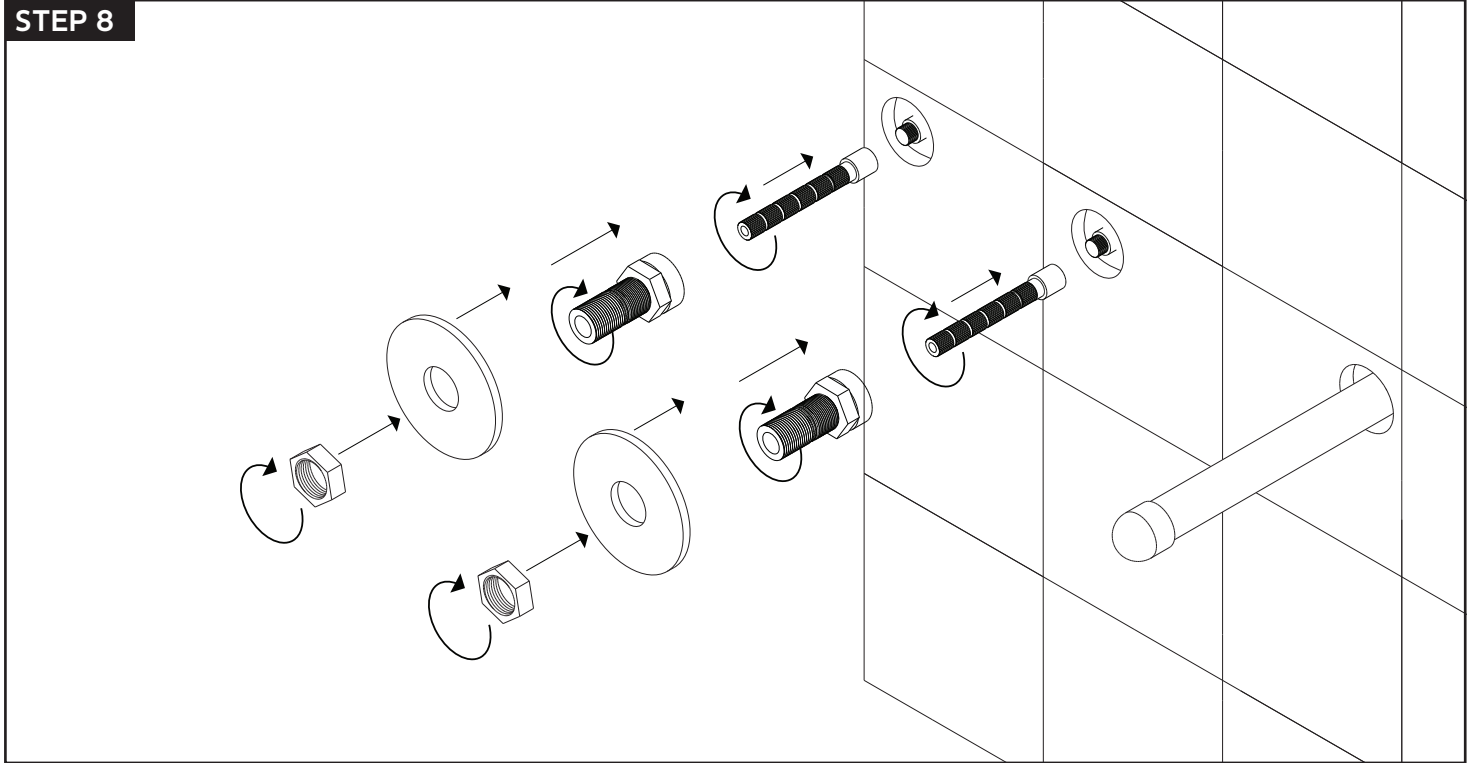
# artos<sup>®</sup>

F302-7

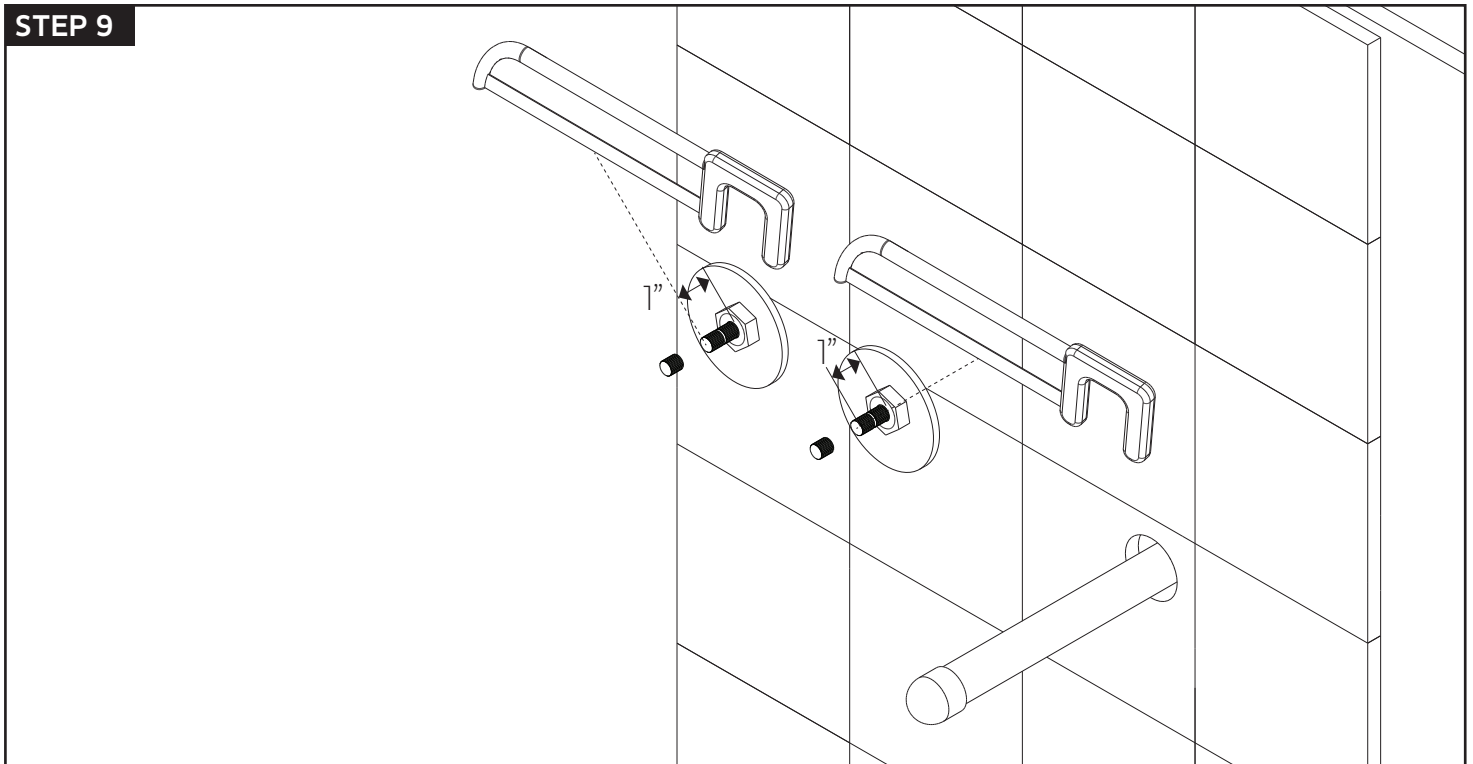
3-hole wall mount tub filler

r+s

## STEP 8

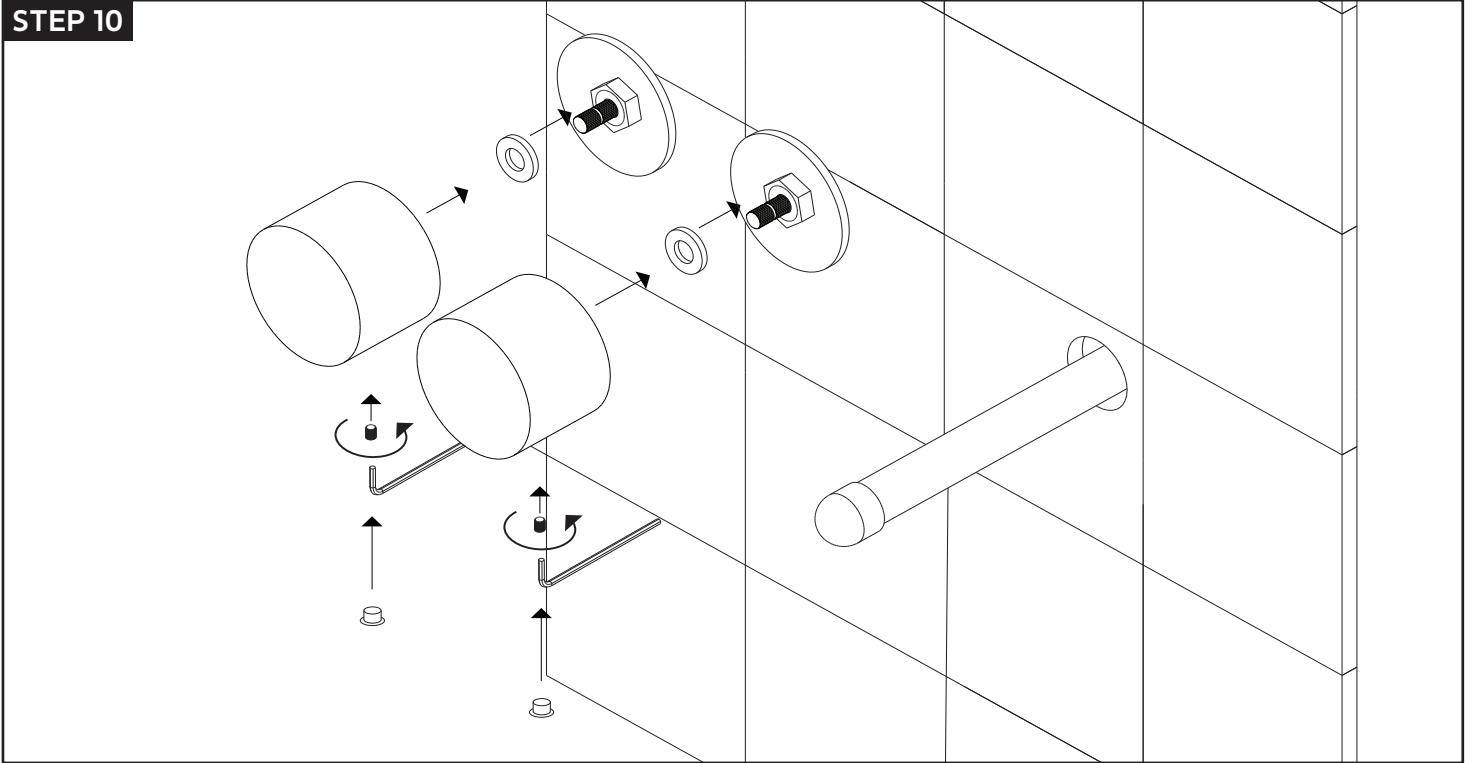


## STEP 9

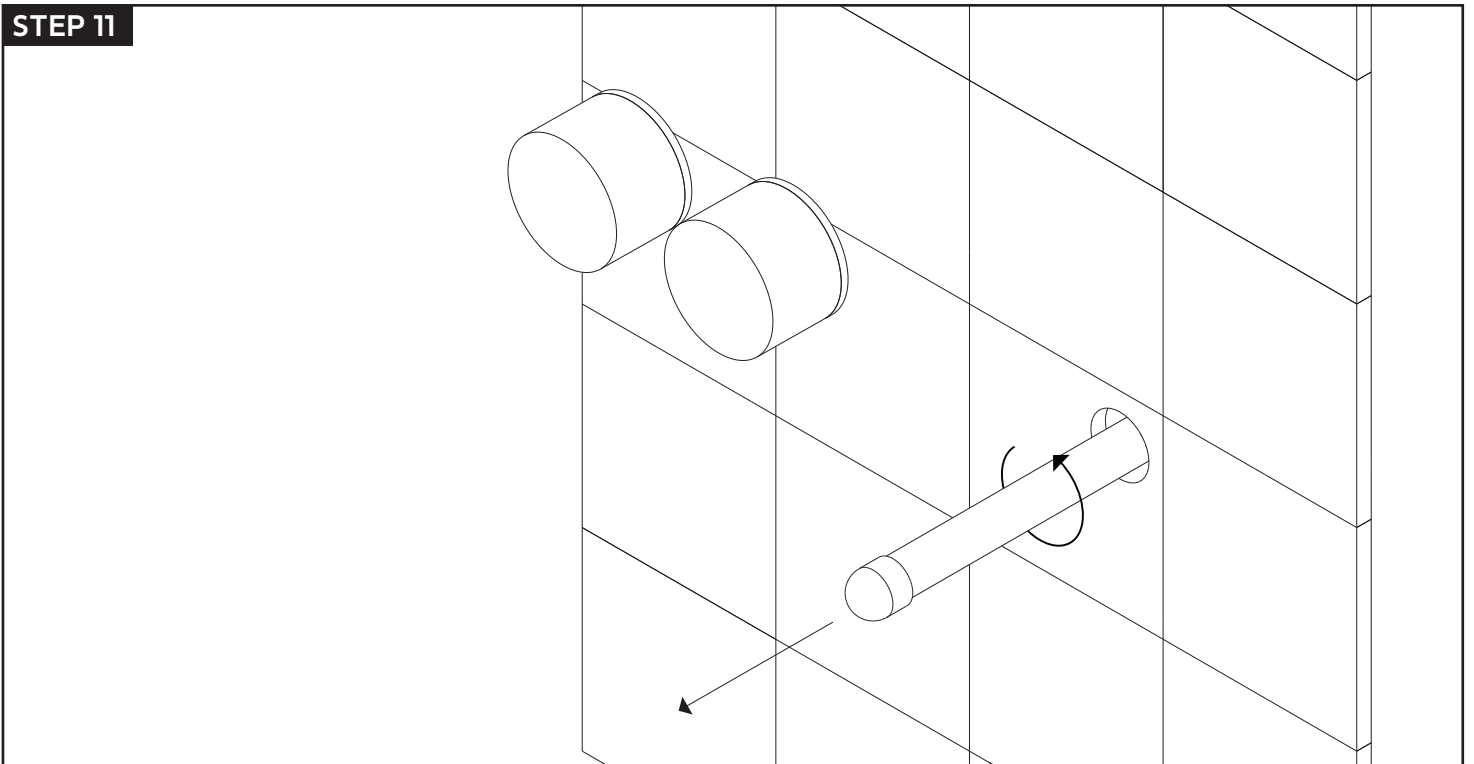


# INSTALLATION STEPS

## STEP 10



## STEP 11

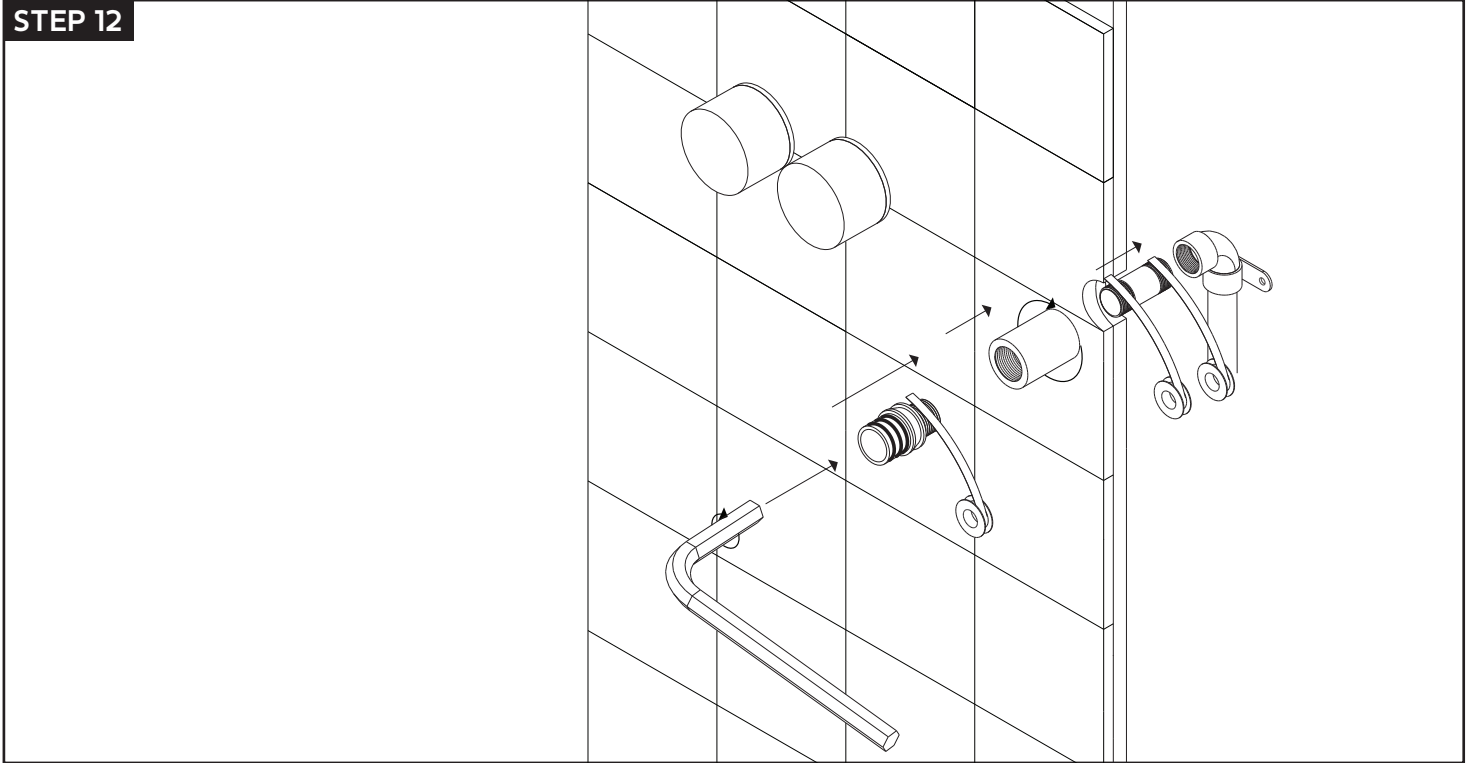


## F302-7

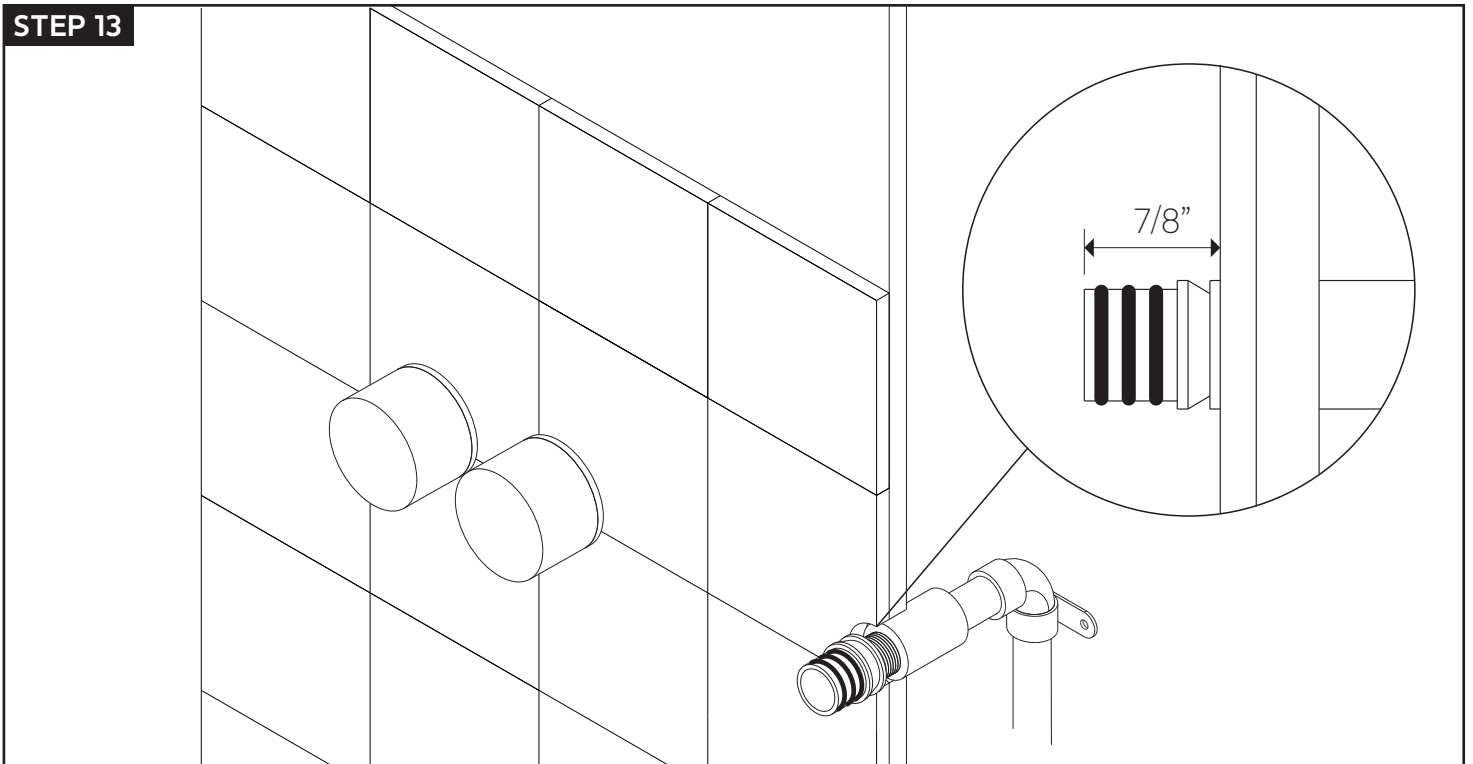
3-hole wall mount tub filler

r+s

### STEP 12

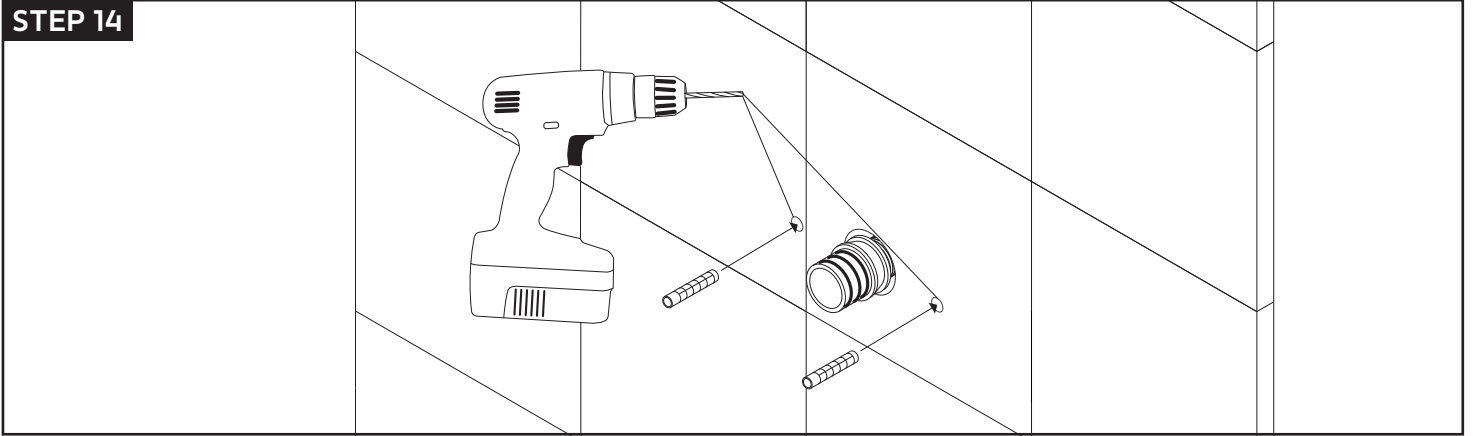


### STEP 13

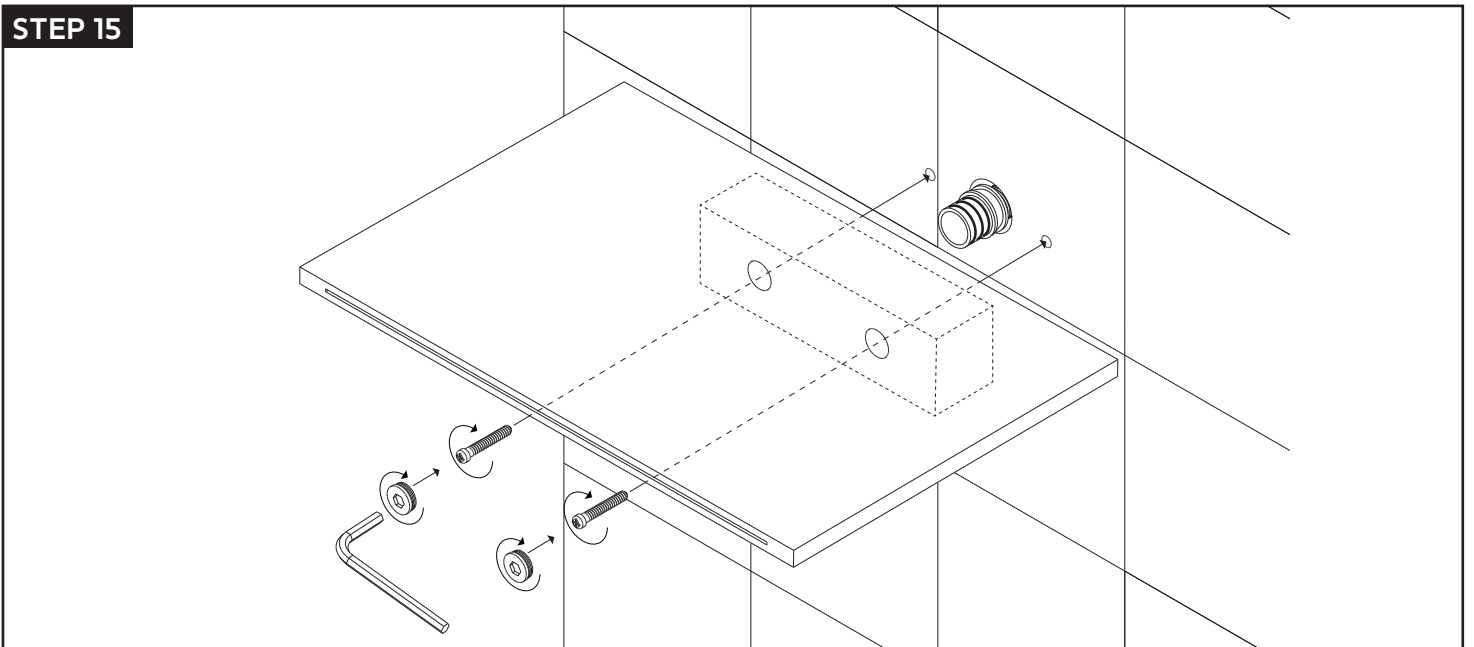


# INSTALLATION STEPS

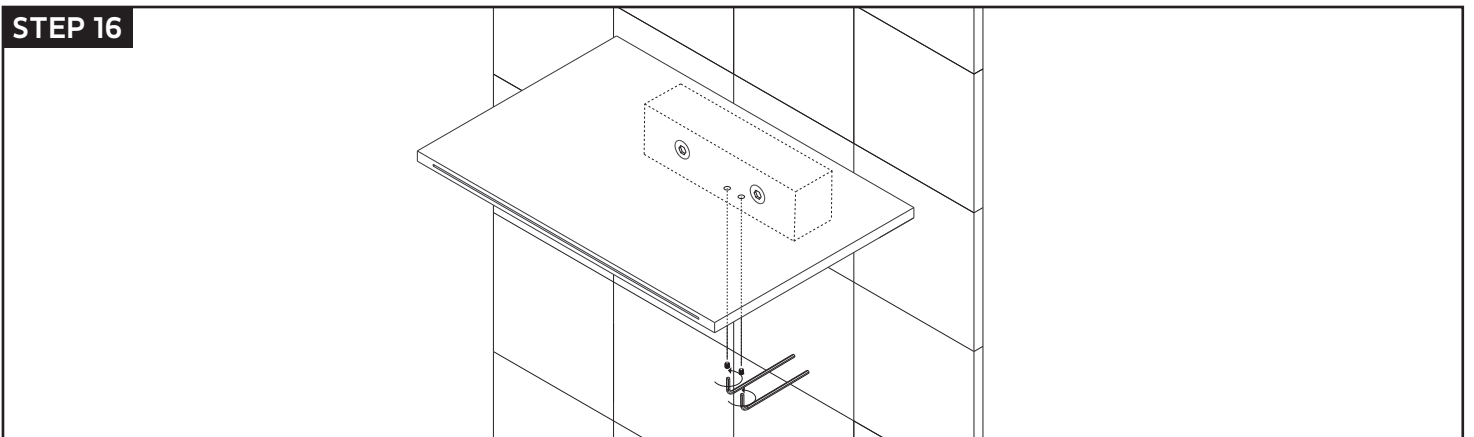
## STEP 14



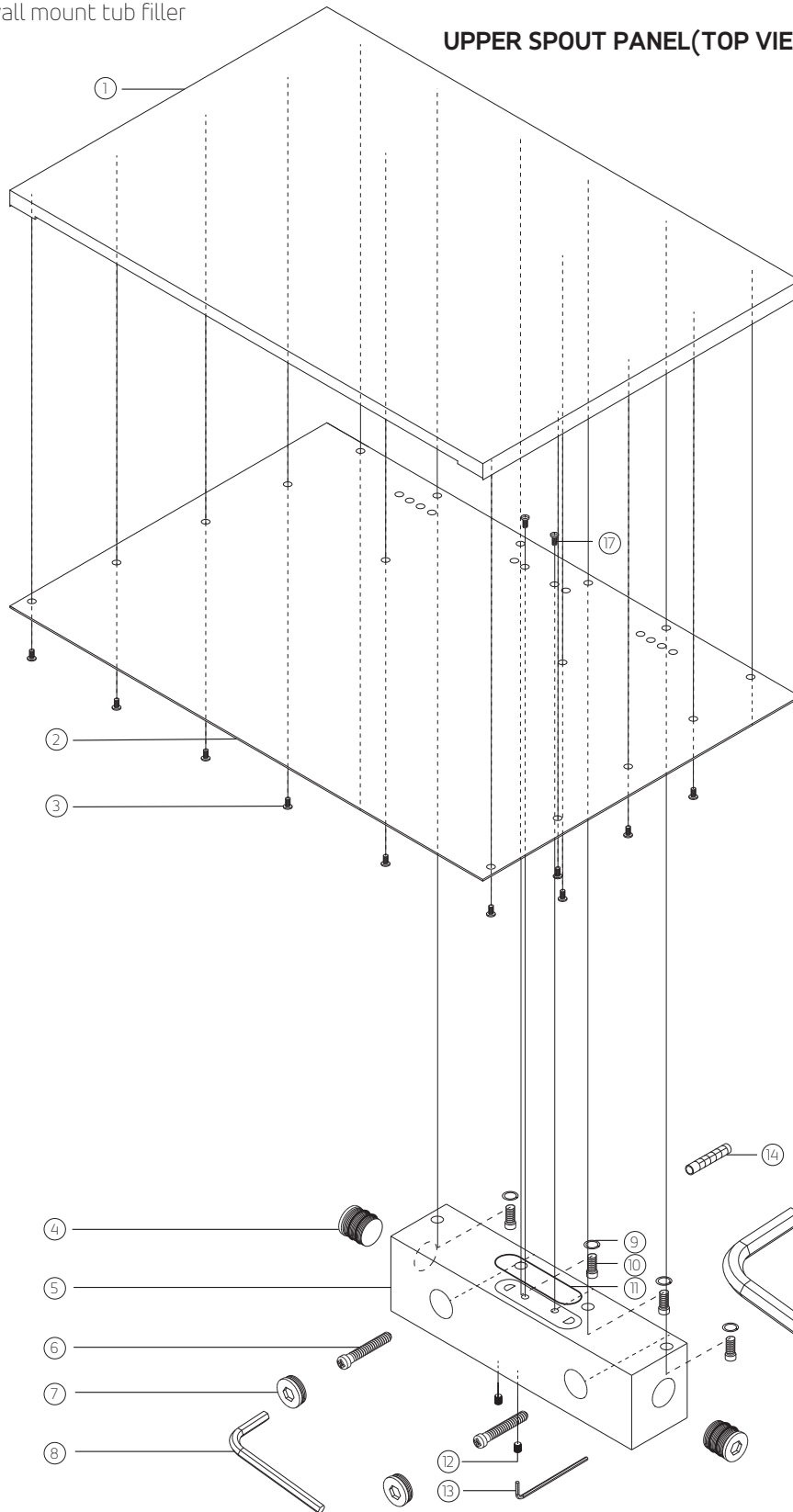
## STEP 15



## STEP 16



### UPPER SPOUT PANEL(TOP VIEW)



- ① UPPER SPOUT PANEL
- ② LOWER SPOUT PANEL
- ③ LOWER SPOUT PANEL SCREWS
- ④ SPOUT BOTTOM PLUGS
- ⑤ SPOUT BODY
- ⑥ BODY SECURING SCREWS
- ⑦ BODY SCREW CAPS
- ⑧ ALLEN WRENCH
- ⑨ SPOUT BODY WASHER
- ⑩ SPOUT BODY
- ⑪ SPOUT BODY SEAL
- ⑫ SET SCREWS
- ⑬ ALLEN WRENCH
- ⑭ WALL ANCHORS
- ⑮ WALL CONNECTOR
- ⑯ ALLEN WRENCH
- ⑰ LOWER SPOUT PANEL TO BODY SCREWS

# PARTS BREAKDOWN

## UPPER SPOUT PANEL (BOTTOM VIEW)

