

BLADE 24 OUTDOOR WALL

VISUAL COMFORT & CO.

PRODUCT FEATURES

- Selectable CCT (2700K/3000K)
- Contemporary design features indirect illumination
- Aluminum construction with stainless steel mounting hardware
- Wet Listed, IP65 Rated. Universal 120V-277V
- Available in modern finish options
- 5-year Warranty. Go to www.techlighting.com for warranty details.

LAMPING



Black



Black



Black 3/4 View



Black Side View



Bronze

To view all available finish options, please visit techlighting.com

ORDERING INFORMATION

7000WBLD	CRI	COLOR TEMP	LENGTH (A)	FINISH	VOLTAGE
	9 90 CRI	2730 2700K/3000K SELECTABLE	24 24"	B BLACK Z BRONZE	UNV UNIVERSAL 120V-277V

7000WBLD

JOB NAME

NOTES



© 2019 Tech Lighting, L.L.C. All rights reserved. The "Tech Lighting" graphic is a registered trademark of Tech Lighting, L.L.C. Tech Lighting reserves the right to change specifications for product improvements without notification.

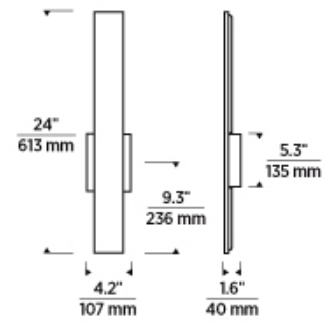
7400 Linder Avenue, Skokie, IL 60077
T 847.410.4400 | F 847.410.4500 | techlighting.com

BLADE 24 OUTDOOR WALL

VISUAL COMFORT & Co.

SPECIFICATIONS

PRIMARY MATERIAL	Aluminum
SHADE MATERIAL	Aluminum
NET WEIGHT	2 lbs
HEIGHT	24in
WIDTH	1.6in
LENGTH	4.2in
WET LISTED	
DAMP LISTED	
DRY LISTED	
GENERAL LISTING	ETL Listed
INCLUDES	



LAMPING SPECIFICATIONS

	LED LAMP	INTEGRATED LED	NON LED	NO LAMP
DELIVERED LUMENS		1951		
WATTS		27.7		
MAX WATTAGE PER BULB		27.7W		
		Universal 120V-277V 0-10, ELV, TRIAC		
CCT		2700K/3000K Selectable		
CRI		90 CRI		
LED LIFETIME		>60000		
L70				
AVERAGE BULB HOURS				
FIELD SERVICEABLE LED				
LAMP BASE		Integrated LED		
LAMP SHAPE		Integrated LED		
LAMP INCLUDED?		True		
WARRANTY**		5 Years		

* Dimming information available at www.techlighting.com/Downloads#dimming

** Visit techlighting.com for specific warranty limitations and details.

T20 / T24 / JA8 INFORMATION

	Integrated LED	Replacement LED Lamp	No Lamp *
This product can be used to comply with California Building Energy Efficiency Standards 2016 Title 24 Part 6 / JA8.	Yes		
This product can be used to comply with California Appliance Efficiency Standards 2016 Title 20 and may be shipped to and sold in California.	N/A		

* If a light fixture or component does not include a lamp or light source, it is the responsibility of the customer to select a lamp that meets the T24 and T20 requirements.

