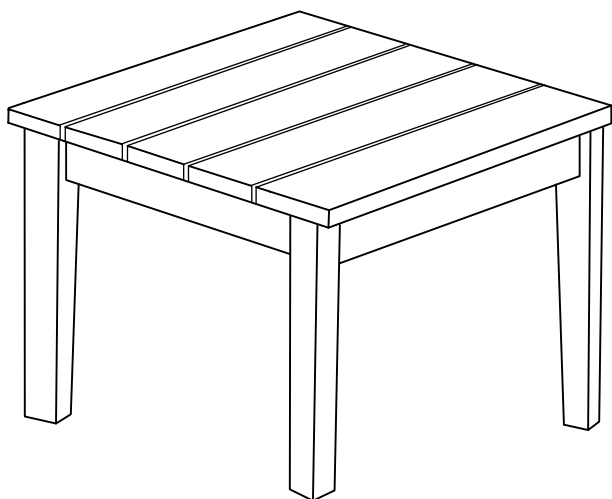


# INSTRUCTION MANUAL



**Shoreside Modern 18" Side Table**

## ! CARE & MAINTENANCE

### Please keep this instruction for your future reference.

- Be careful when assembly, avoid hurting the table top surface.
- Clean the table with lukewarm water, mild detergent & soft cloth.
- Firmly secure all bolts before use, do not use any part of this item as a step ladder.
- Reconfirm that all bolts, screws, and nuts are secure every 90 days.
- Do not use or store this item in the proximity of open flame or flammable/combustible chemicals.
- Be aware that some parts are heavy and have sharp edges.
- Do not overtighten screws. (Insert all screws before tighten screws.)
- Please do not exceed the weight limitations of this item.

## TOOLS REQUIRED



ALLEN WRENCH  
(PROVIDED)



TABLE  
110 LBS  
CAPACITY



1 PERSON  
ASSEMBLY

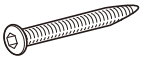


UP TO 20 MIN.  
ASSEMBLY

## HARDWARE

1

SCREW  
M6.3 x 50mm



8 PCS

2

ALLEN  
WRENCH

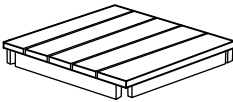


1 PC

## PARTS

A

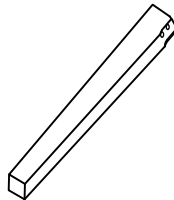
TABLE TOP  
WITH APRON



1 PC

B

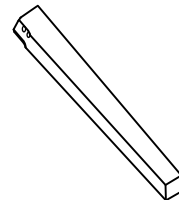
TABLE LEG - I



2 PCS

C

TABLE LEG - II



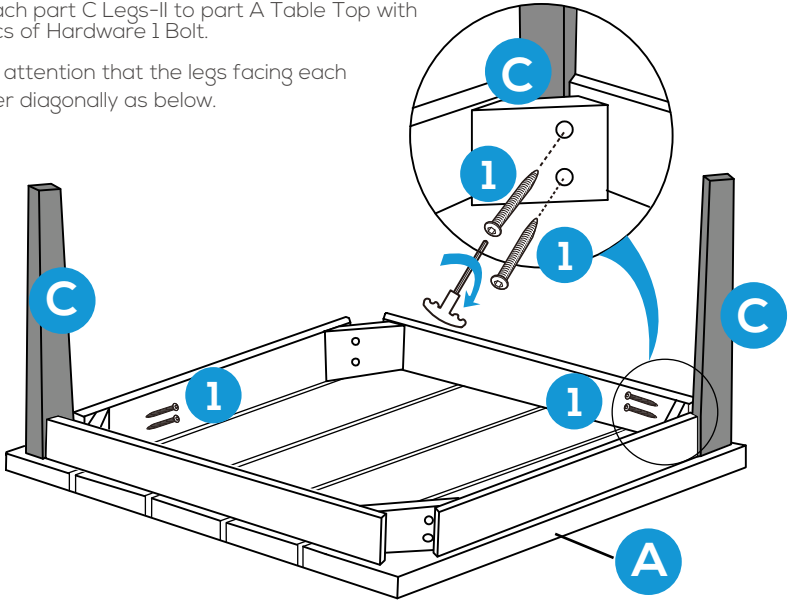
2 PCS

## PRODUCT ASSEMBLY

1

Place Part A Table Top upside down, onto soft surface like carpet to avoid damage table top surface.  
Attach part C Legs-II to part A Table Top with 4 pcs of Hardware 1 Bolt.

Pay attention that the legs facing each other diagonally as below.

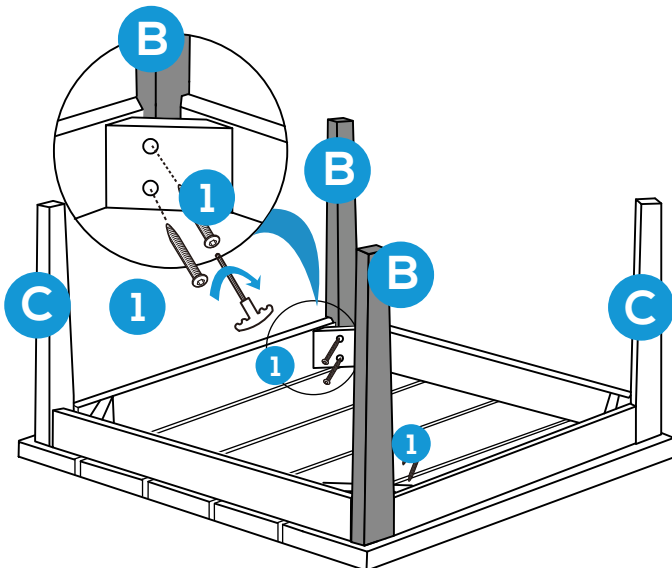


### ATTENTION:

Two pairs of legs with different holes to assemble. Try the other pair of legs if you find the holes don't match.

2

Attach part B Legs-I to part A Table Top with 4 pcs of Hardware 1 Bolt.



## PRODUCT ASSEMBLY

**3**

Tighten all the bolts again to ensure this table is stable enough to use.

