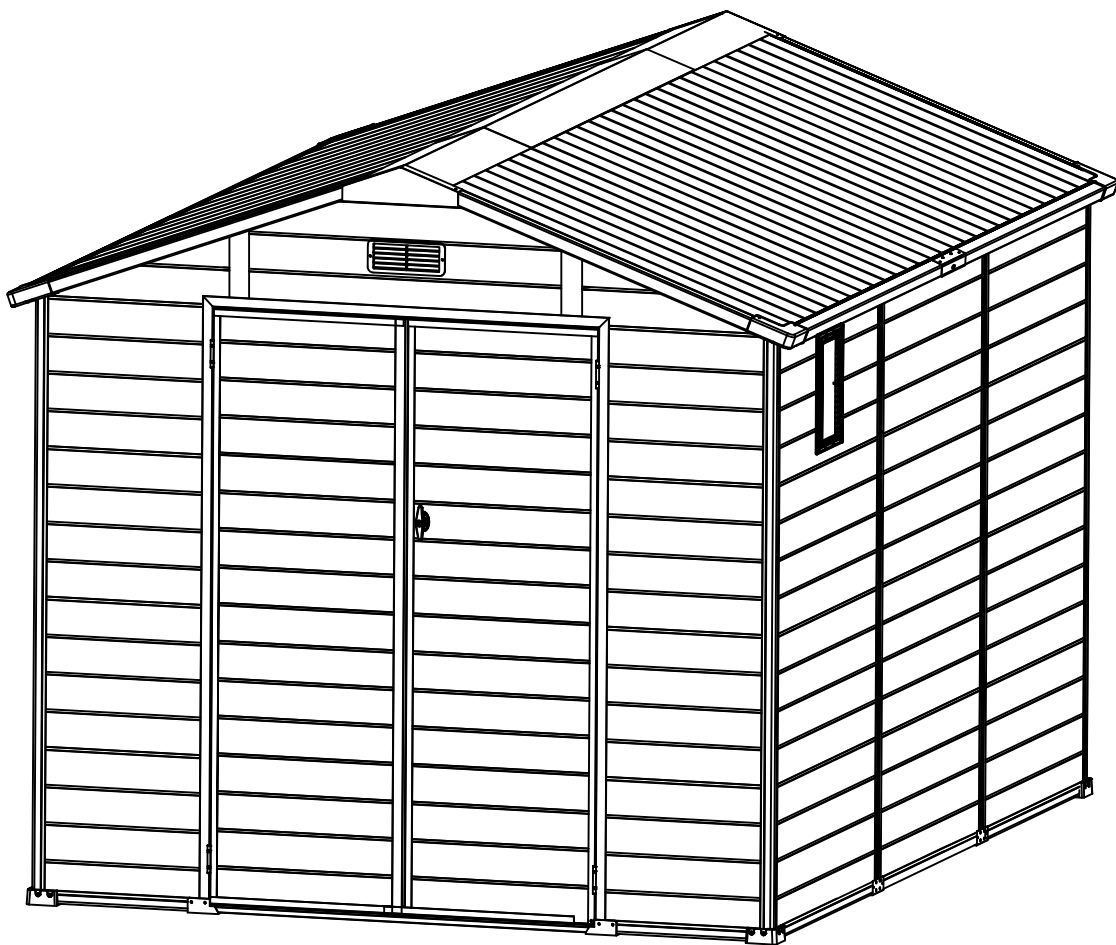


Storage Shed 8x10FT

ASSEMBLY INSTRUCTIONS



Important Reminder: Please Keep for Future Reference – Read Carefully

1. Pre-Installation Notes

Contact the local government authorities in advance to confirm whether building approval is required.

2. Manual Overview

This manual contains assembly instructions. Before starting the operation, please carefully read all the instructions and follow the steps in sequence to ensure the correct assembly effect.

3. Time and Personnel Requirements

It takes approximately 3-4 hours and requires the collaboration of multiple people to assemble this product.

4. Tools and Safety Precautions

Prepare the required tools. Wear gloves correctly, use tools properly, and pay attention to safety.

5. Weather and Site Precautions

Ensure the installation date you choose has dry weather and low wind. Do not attempt to assemble this product outdoors in strong winds, as this will increase the risk of panel damage or personal injury. Avoid muddy ground. Assemble with the collaboration of two or more people whenever possible.

6. Advance Planning: Site Selection

The installation site should be as far away from tall trees as possible. Leaves need regular cleaning, and broken branches may pose potential safety hazards.

7. Important Reminders

Prepare appropriate tools and safety protective equipment. It is recommended to lay out all parts first, check for completeness before starting assembly. If there is a risk of scratches, lay cloth or plastic film on the ground. Tighten all fasteners carefully to ensure no omissions. Check if the frame is square and vertical.

8. Detailed Assembly Steps

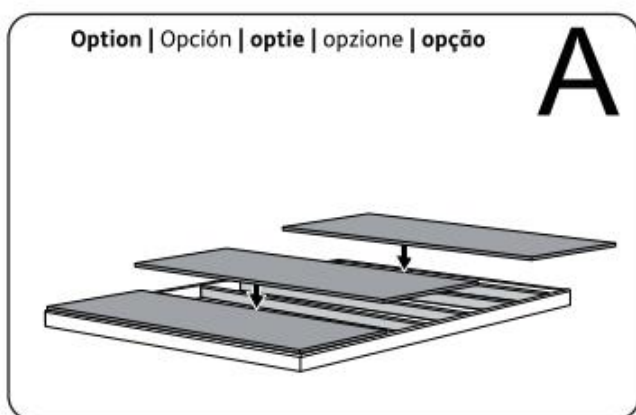
Place the panel with the flat side facing up, tap it gently with a hammer to make the panel fit tightly and be fully installed in place (this prevents water leakage), and then fix it with screws. It is recommended that three or more people operate this step to ensure the smooth progress of assembly. Note: All panels have a front and a back, and are equipped with card slots. Align the panels during installation and push them in firmly; if they cannot be pushed in, stand the panels upright and adopt the sliding installation method. Important Reminder: Before installing the screws, confirm that the diagonal distance "X" of the door remains consistent.

Site Preparation

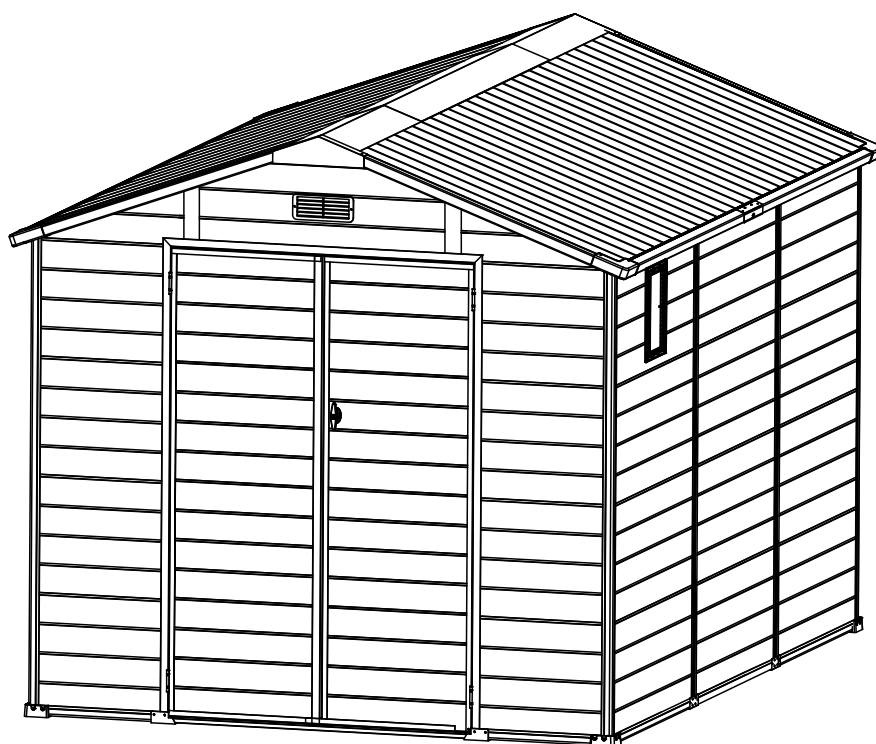
Level the ground



Recommendation: Construct a wooden or concrete base as the foundation.



The external floor dimensions of the product are: 2202mm*2958mm



Before starting assembly:

Please read the maintenance and safety guidelines at the end of this manual.

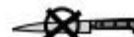
Before starting or scheduling assembly, check to ensure no parts are missing or damaged.

Remove all parts from the packaging and lay them flat on a clean work surface. Review all assembly instructions.

Assemble all parts in accordance with the instructions in this manual.

Do not skip any steps.

Required tools

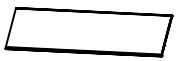
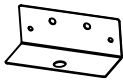




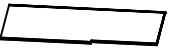


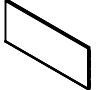

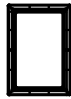
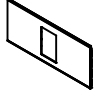
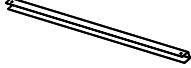

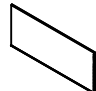
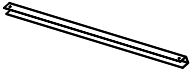

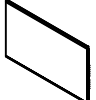

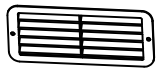
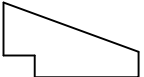

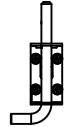
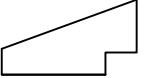


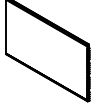
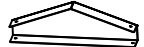

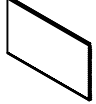


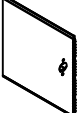
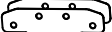






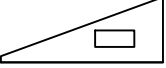
















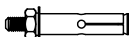





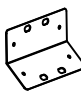








Plastic squeegee

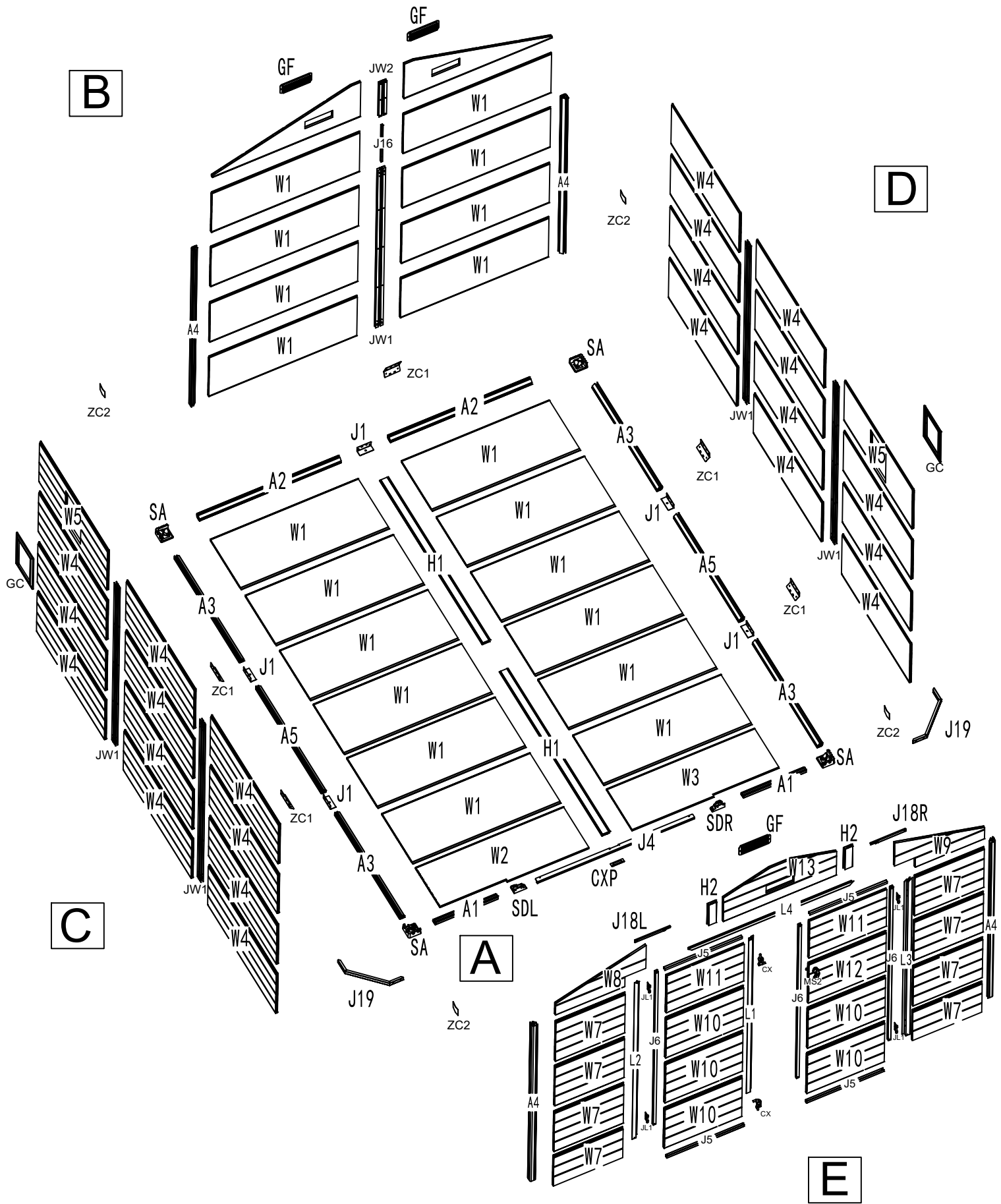


Using a squeegee will help insert the board into the profile more easily.

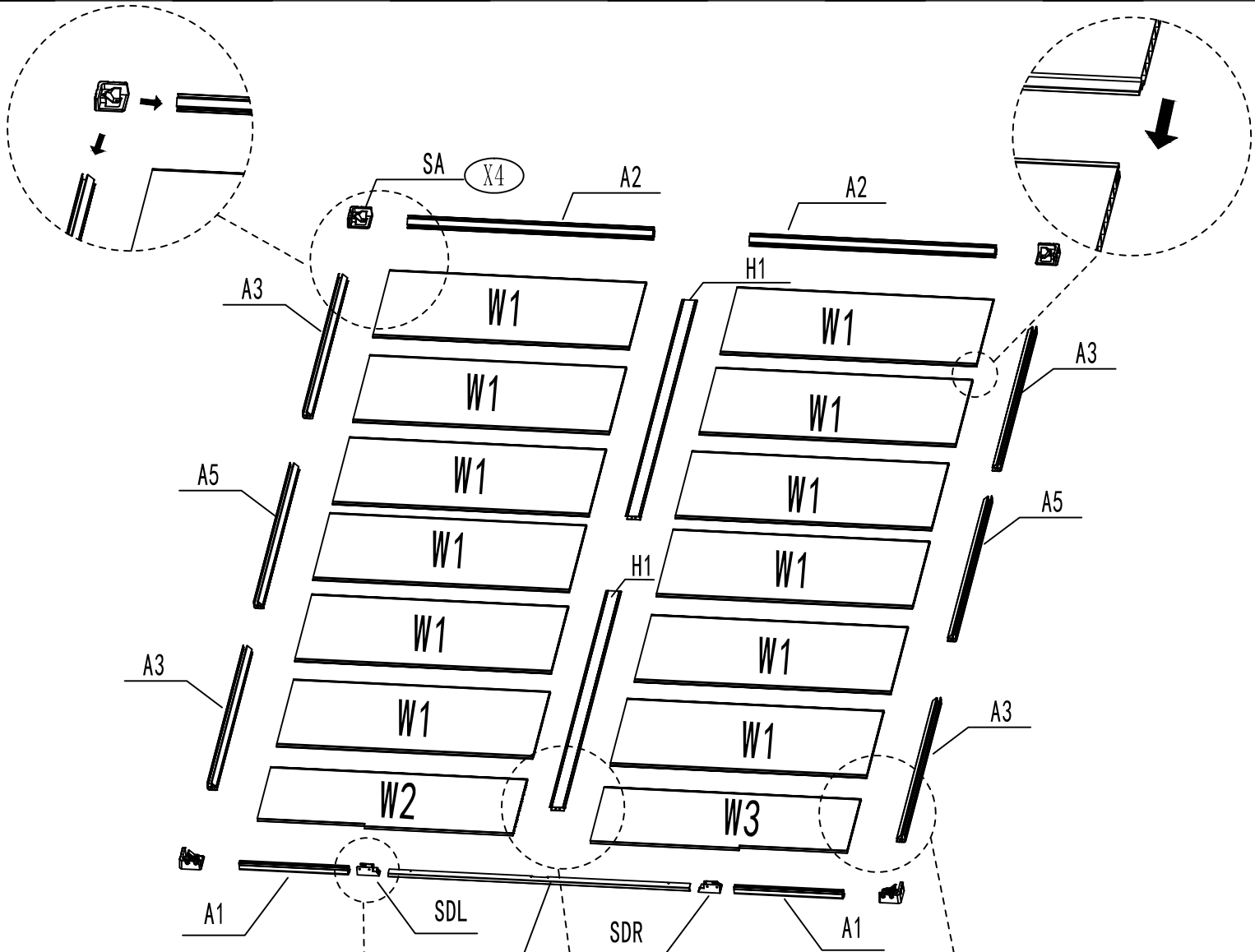
parts list

Part	No	Qty		Part	No	Qty		Part	No	Qty	
	W1	20			J1	7			SA	4	
	W2	1			JW1	5			SDL	1	
	W3	1			JW2	1			SDR	1	
	W4	22			J4	1			GC	2	
	W5	2			J5	4			SB	4	
	W6	2			J6	3			PC1	3	
	W7	6			J7	4			GF	3	
	W8	1			J8	4			CX	2	
	W9	1			J9	6			MS2	1	
	W10	5			J11	2			JL1	4	
	W11	2			J13	2			T1	396	
	W12	1			J14	2			T3	106	
	W13	1			J15	6			T5	42	

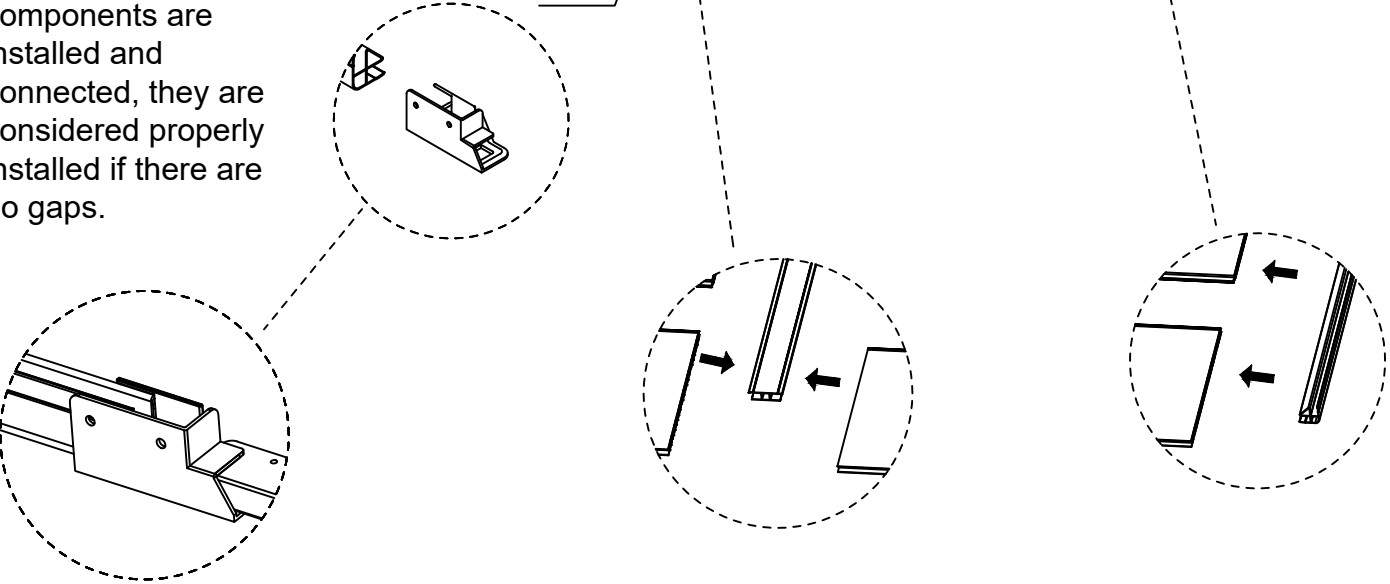
	W14	1			J16	2			T6	16	
	W15	1			J17	1			T7	2	
	W16	14			J18L	1			M4-1	12	
	A1	2			J18R	1			M4-2	2	
	A2	2			J19	1			SF	1	
	A3	4			MSP	1			PZ	4	
	A4	4			CXP	1			PZ1	4	
	A5	2			L1	1			ZC1	5	
	H1	2			L2	1			ZC2	4	
	H2	2			L3	1			/	/	
	G1	2			L4	1			/	/	
	G2	2			/	/			/	/	
	/	/			/	/			/	/	

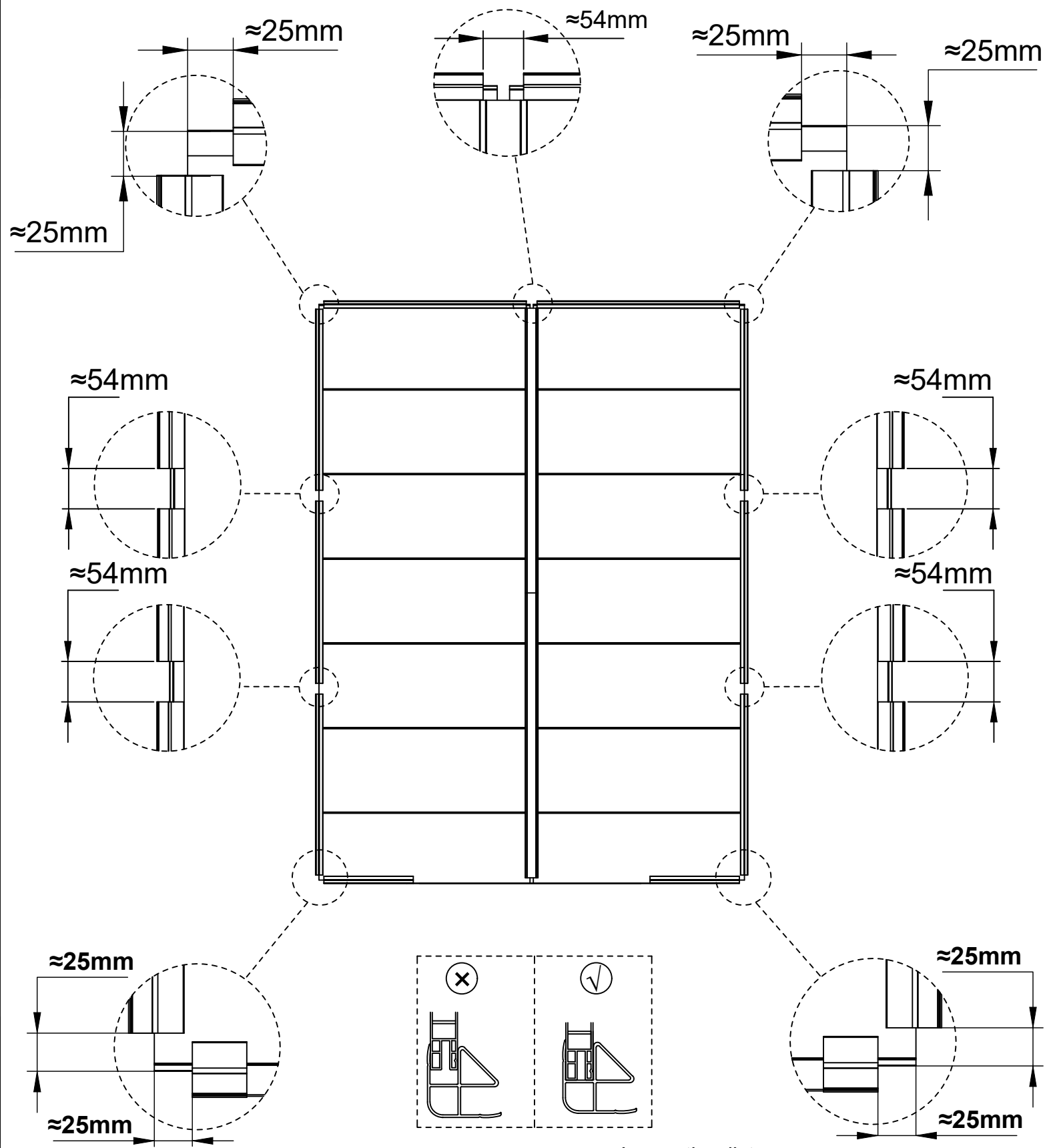


12PCS	1PCS	1PCS	2PCS	2PCS	4PCS
W1	W2	W3	A1	A2	A3
2PCS	4PCS	1PCS	1PCS	1PCS	2PCS
A5	SA	SDL	SDR	J4	H1

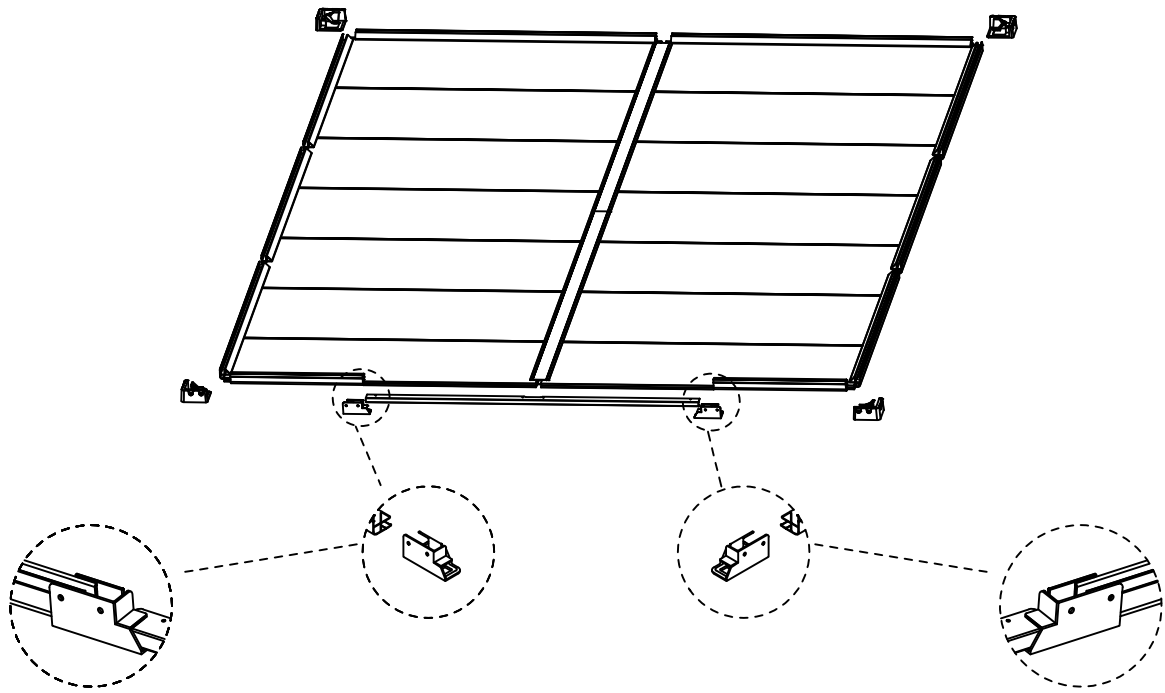


Once the components are installed and connected, they are considered properly installed if there are no gaps.

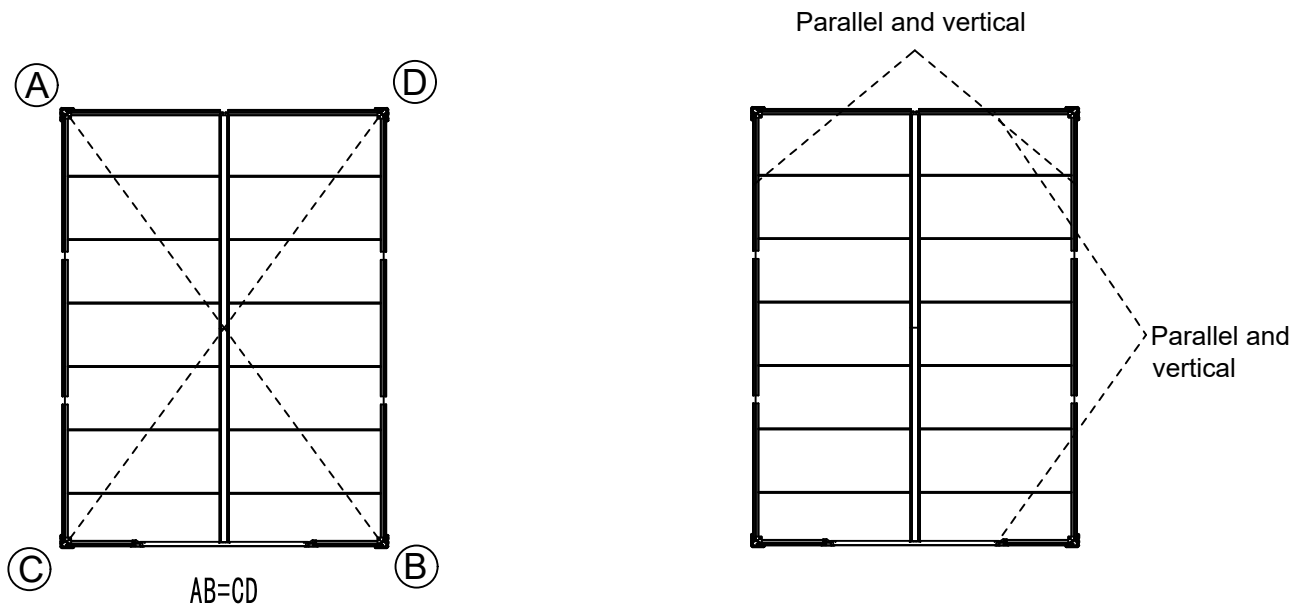




Leave the distance from the components to the edge as shown in the diagram to facilitate subsequent installation.



Once the components are installed and connected, they are considered properly installed if there are no gaps.



30PCS

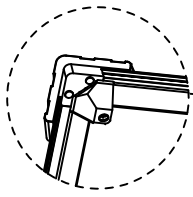


24PCS

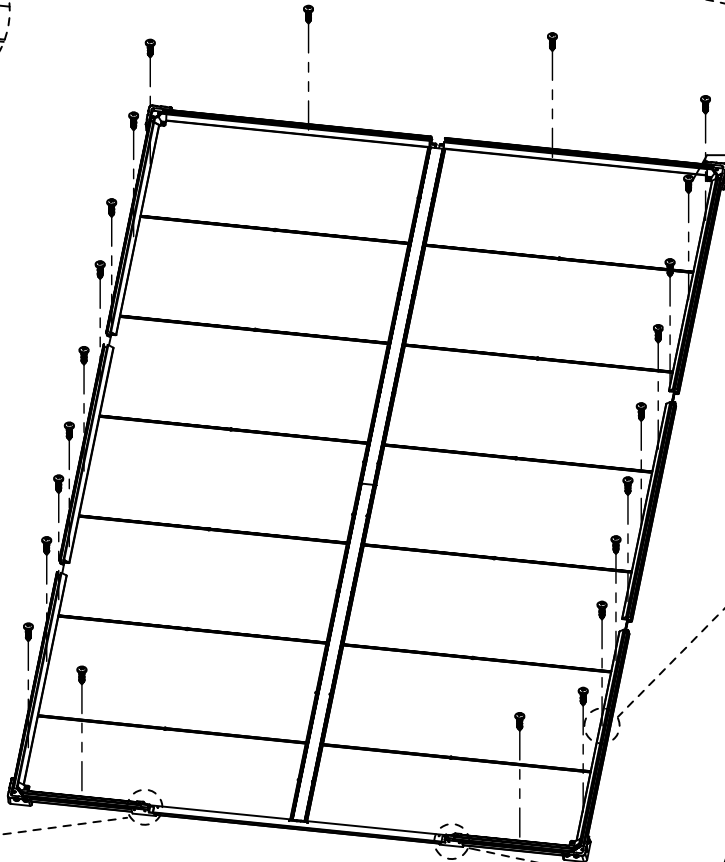
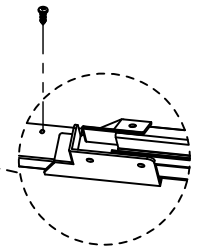
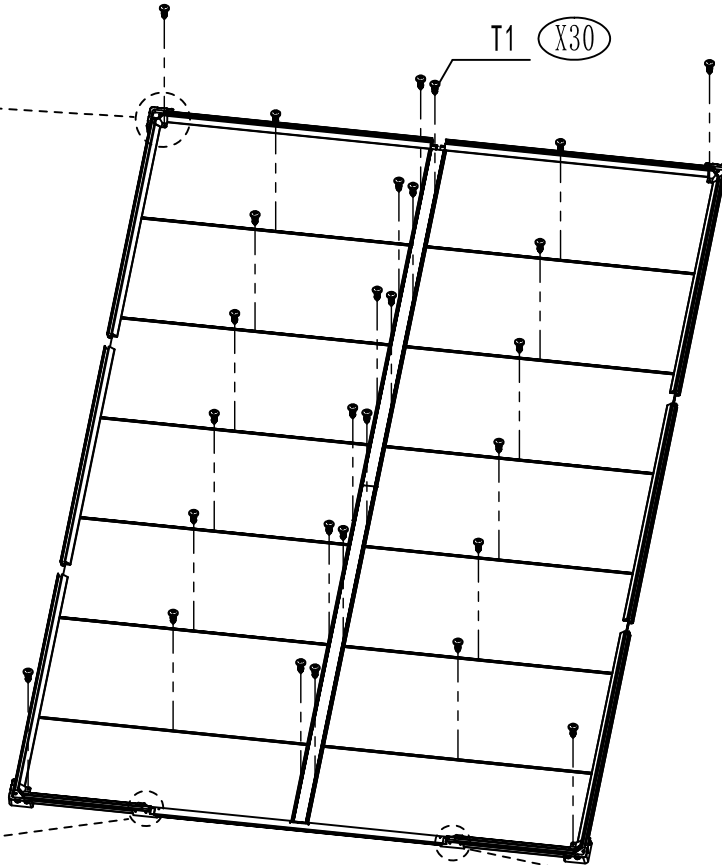
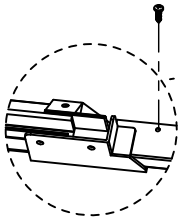
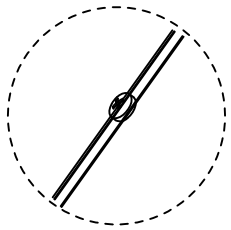


T1

T3

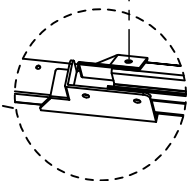
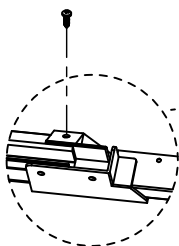
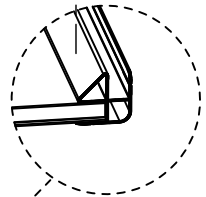



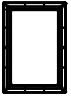
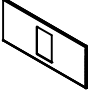




Screws should be placed according to the diagram. Drill and tighten the screws in the designated grooves or pre-drilled holes on the parts. For areas without holes, distribute the screws evenly.

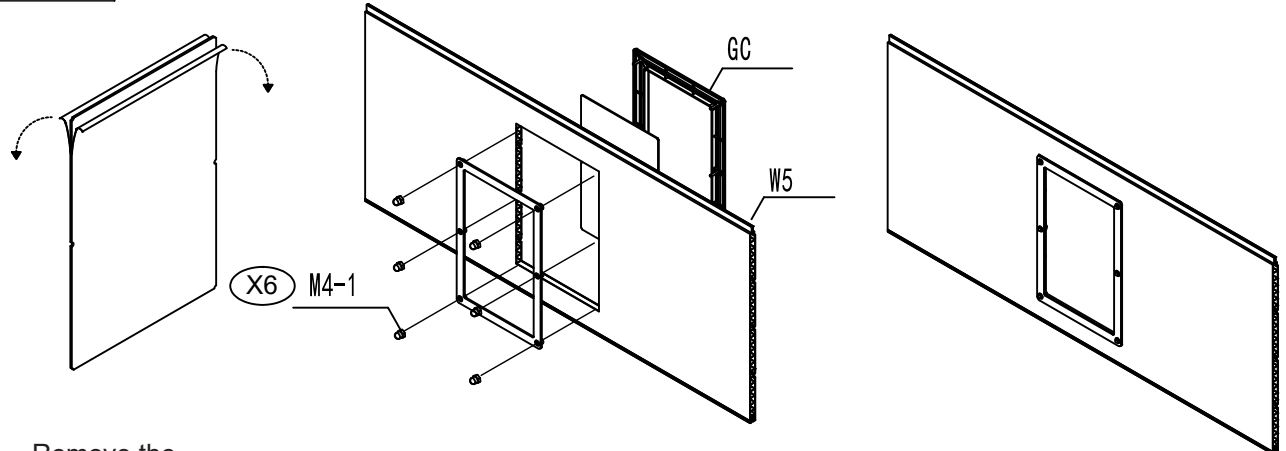


T3 (X24)

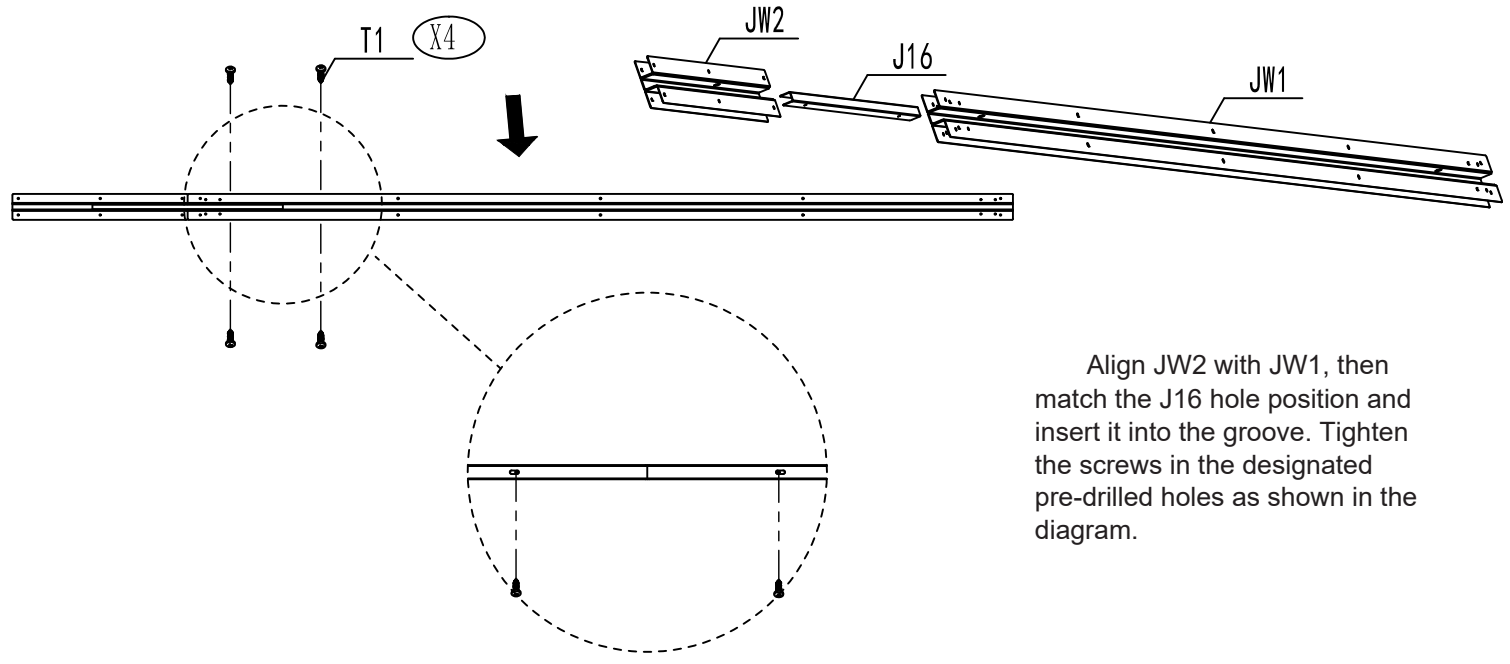
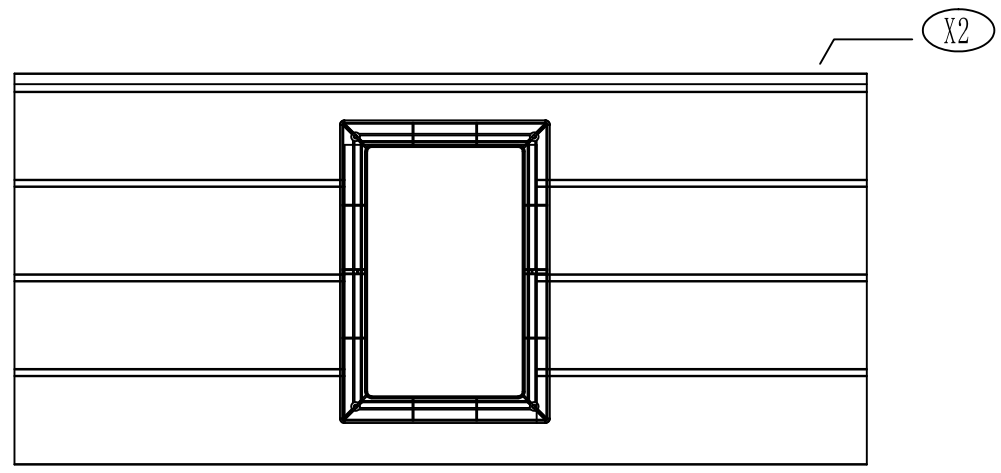
The screw is installed at the center of the inclined plane.



12PCS 	2PCS 	2PCS 	1PCS 	1PCS 	1PCS 
M4-1	GC	W5	JW2	J16	JW1
4PCS 					
T1					

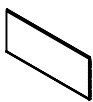


Remove the protective film before installing the window, and install it according to the diagram.



Align JW2 with JW1, then match the J16 hole position and insert it into the groove. Tighten the screws in the designated pre-drilled holes as shown in the diagram.

6PCS



2PCS



2PCS



5PCS



4PCS



12PCS



W4

W1

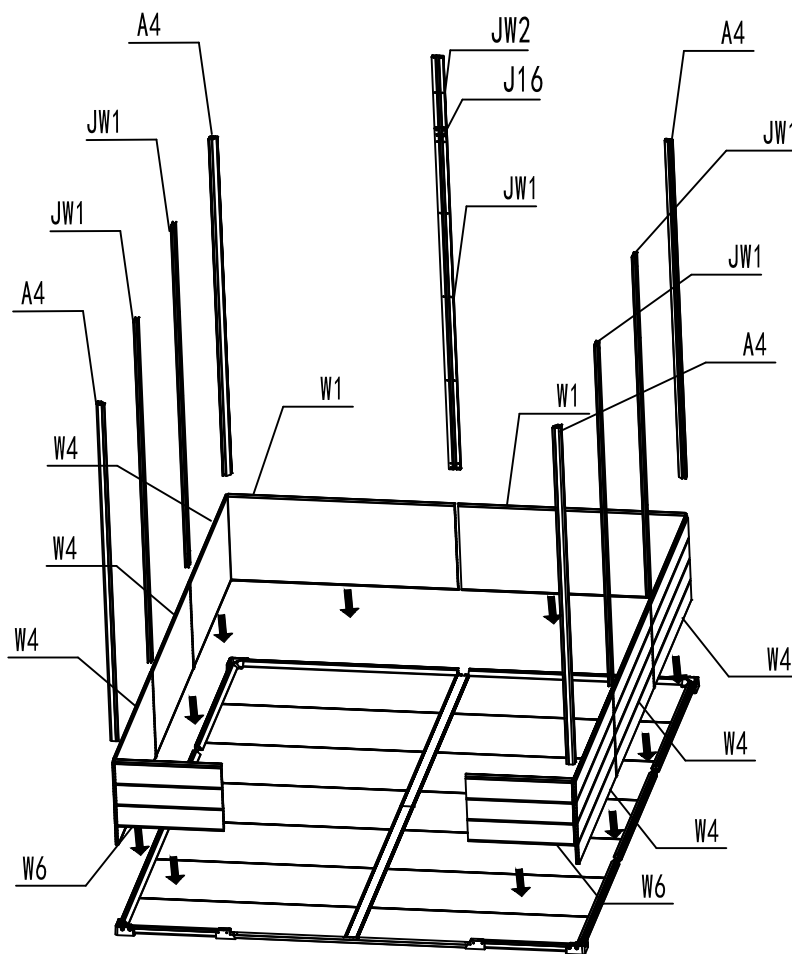
W6

JW1

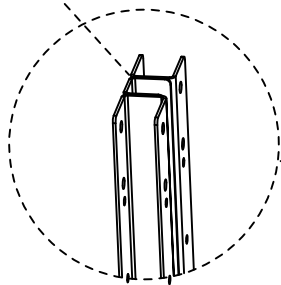
A4

T1

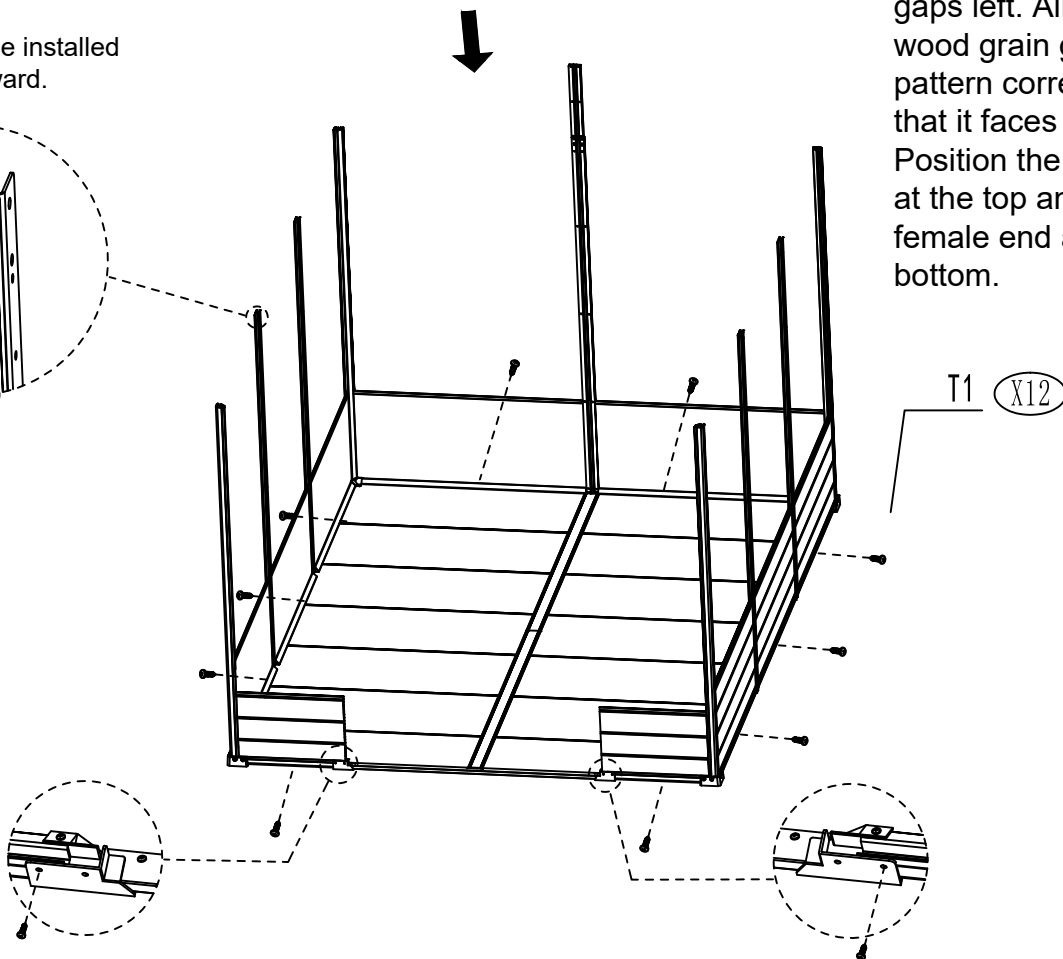
Insert the sheet materials and profiles in a circular sequence as shown in the diagram to prevent the posts from collapsing and facilitate subsequent installation.



The notches shall be installed uniformly facing inward.



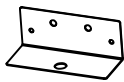
When inserting the plastic panel, ensure it is pushed in completely with no gaps left. Align the wood grain pattern correctly so that it faces outward. Position the male end at the top and the female end at the bottom.



16PCS



5PCS



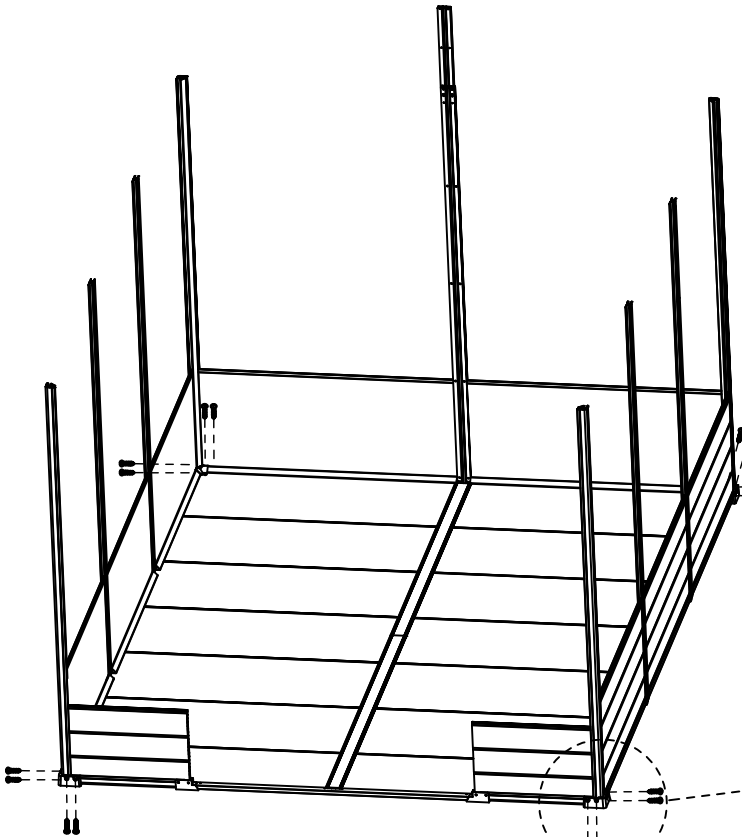
20PCS



T3

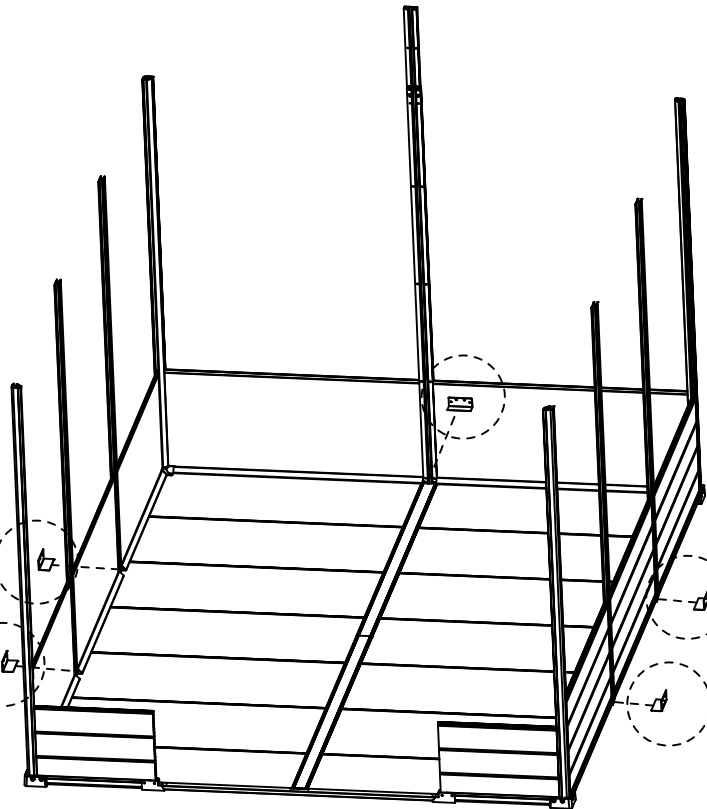
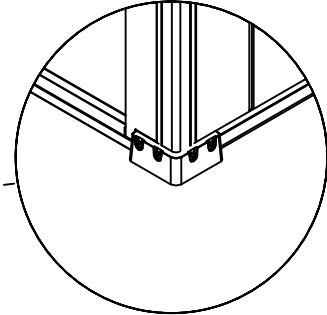
J1

T1



T3 (X16)

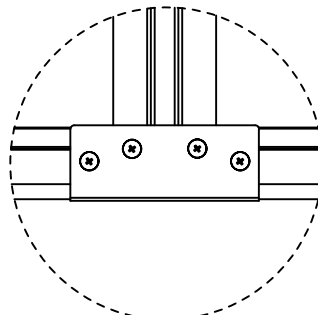
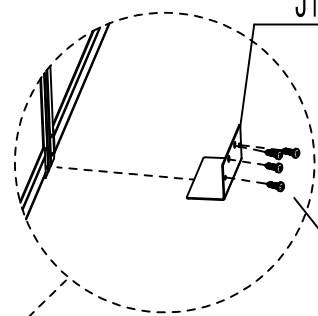
Follow the diagram to drill holes, and drive the screws into the pre-reserved holes on the parts. Repeat this step at all four corners where the same parts are connected.



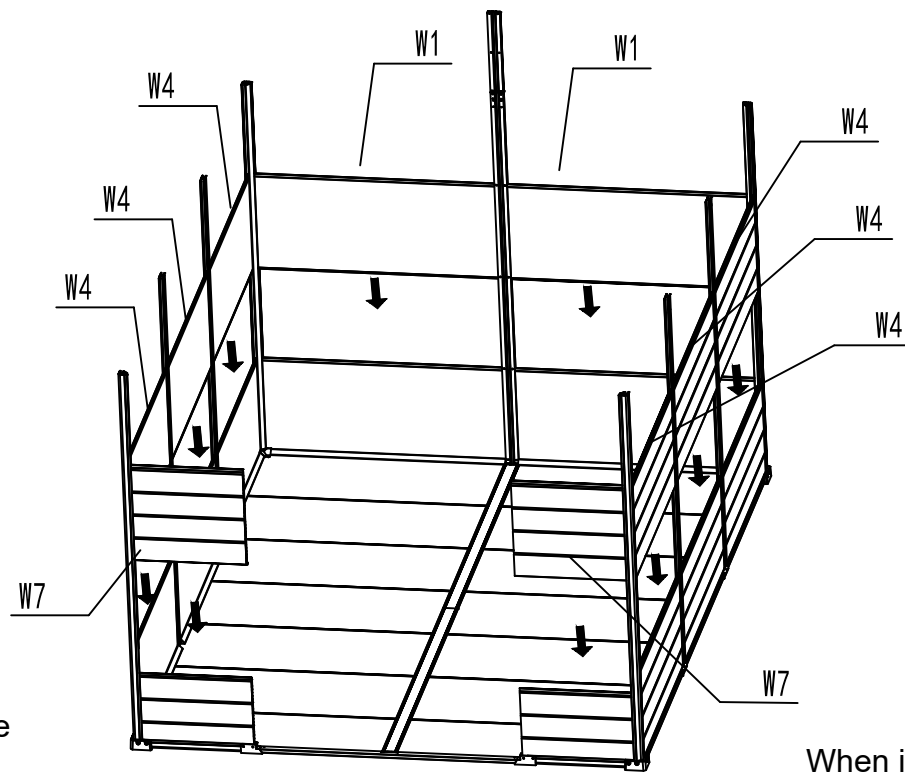
Follow the diagram to drill and screw into the pre-made holes in the parts.

J1 (X5)

T1 (X20)

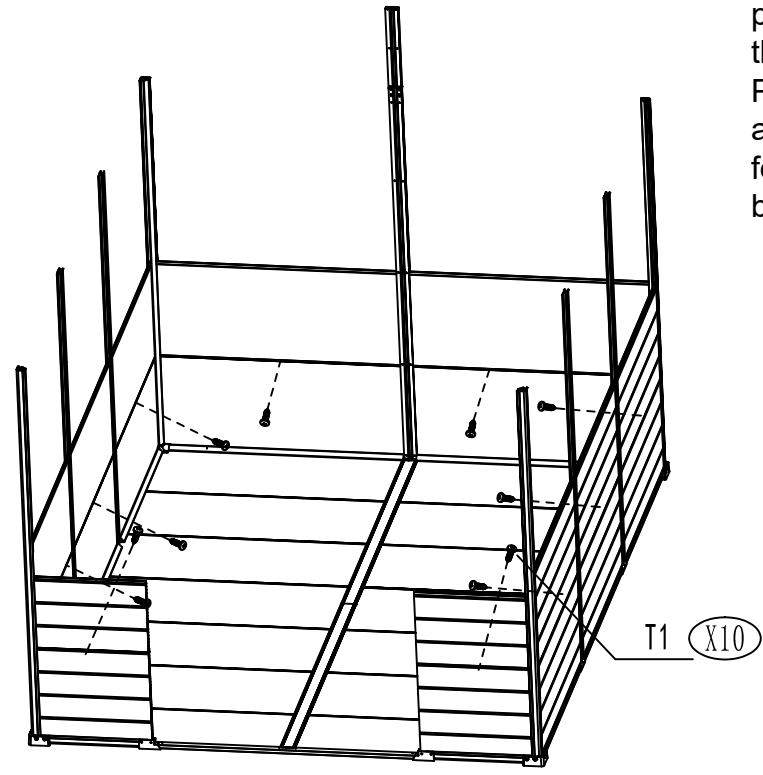


6PCS		2PCS		2PCS		10PCS			
W4		W1		W7		T1			

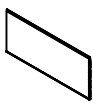


Insert the sheet materials in sequence as shown in the diagram.

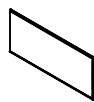
When inserting the plastic panel, ensure it is pushed in completely with no gaps left. Align the wood grain pattern correctly so that it faces outward. Position the male end at the top and the female end at the bottom.



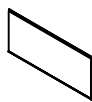
6PCS



2PCS



2PCS



10PCS

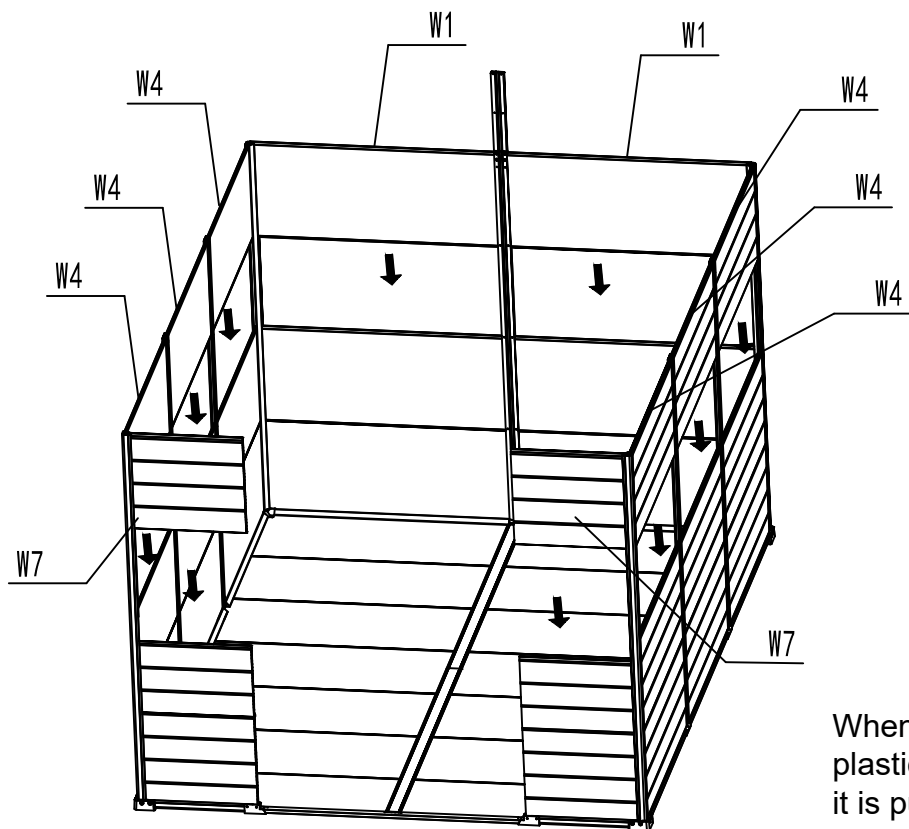


W4

W1

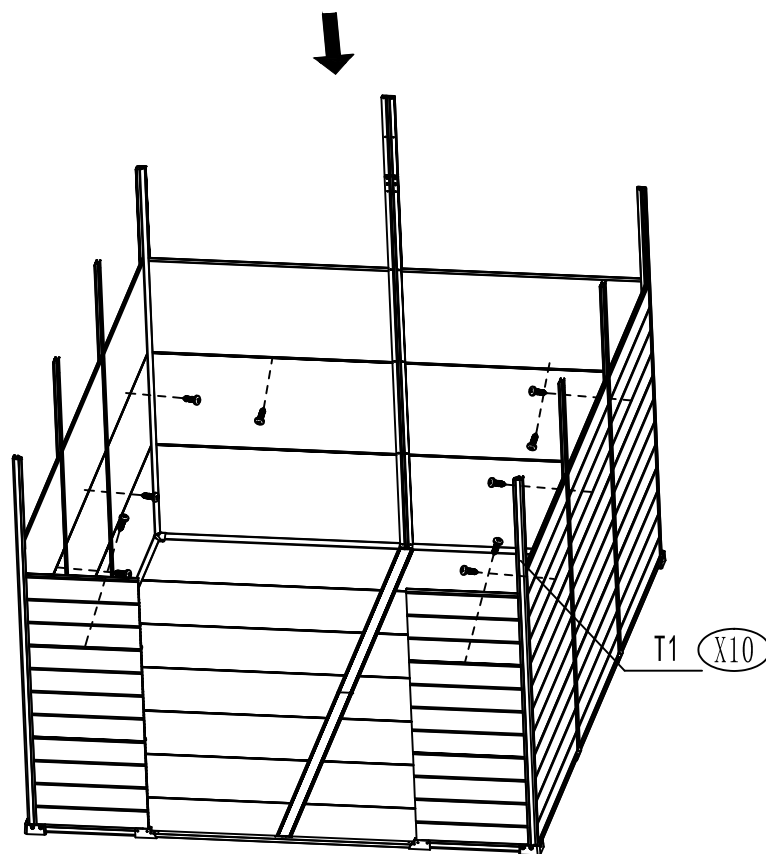
W7

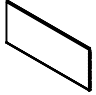
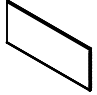
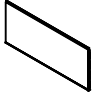
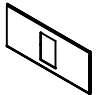

T1



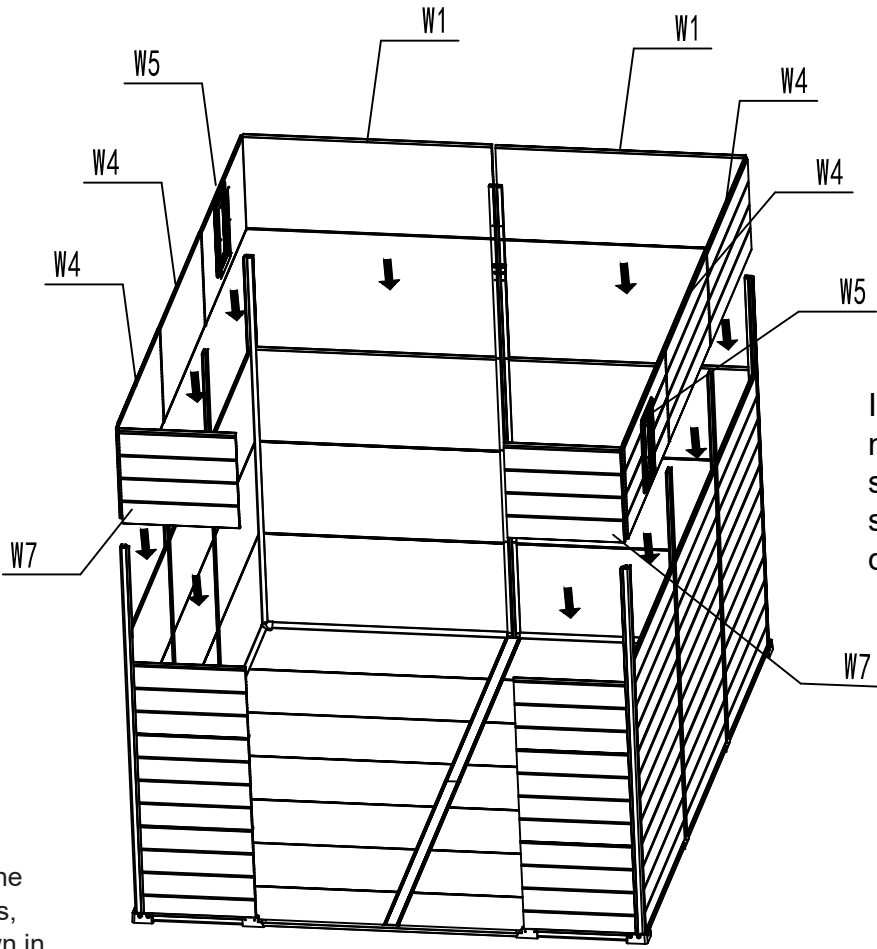
Insert the sheet materials in sequence as shown in the diagram.

When inserting the plastic panel, ensure it is pushed in completely with no gaps left. Align the wood grain pattern correctly so that it faces outward. Position the male end at the top and the female end at the bottom.



4PCS 	2PCS 	2PCS 	2PCS 	40PCS 
W4	W1	W7	W5	T1

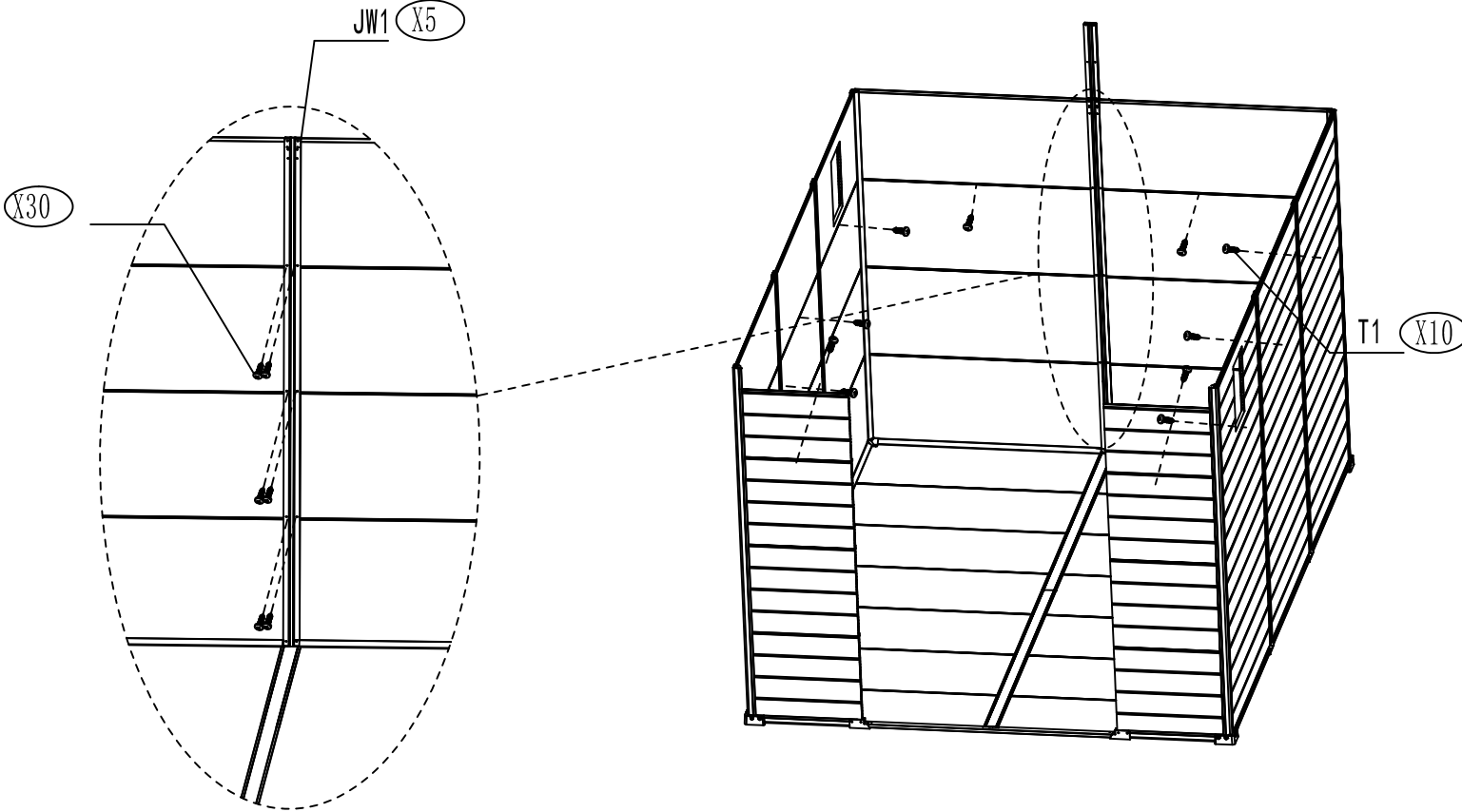
When inserting the plastic panel, ensure it is pushed in completely with no gaps left. Align the wood grain grain pattern correctly so that it faces outward. Position the male end at the top and the female end at the bottom.

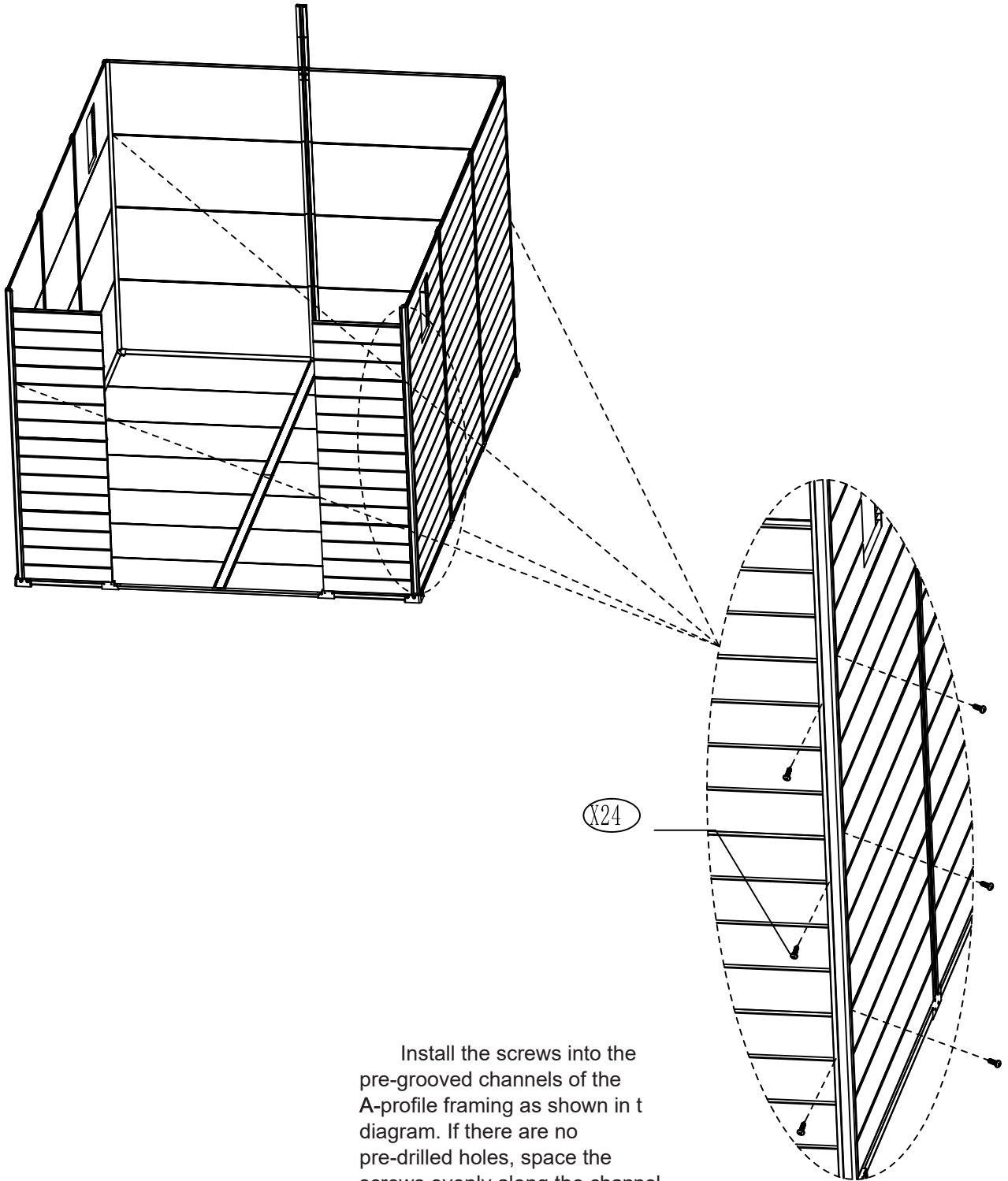


Insert the sheet materials in sequence as shown in the diagram.

Install the screws into the pre-drilled holes on the parts, following the locations shown in the diagram.

There are six screws for each





Install the screws into the pre-grooved channels of the A-profile framing as shown in the diagram. If there are no pre-drilled holes, space the screws evenly along the channel.

1PCS

1PCS

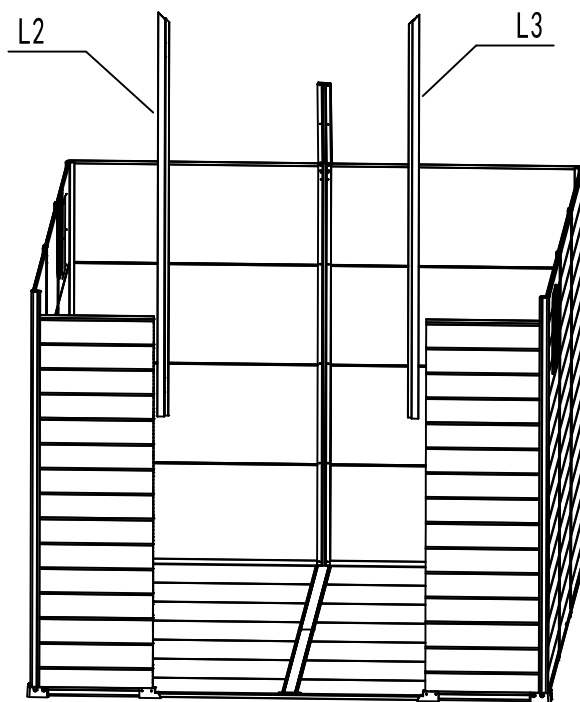
2PCS



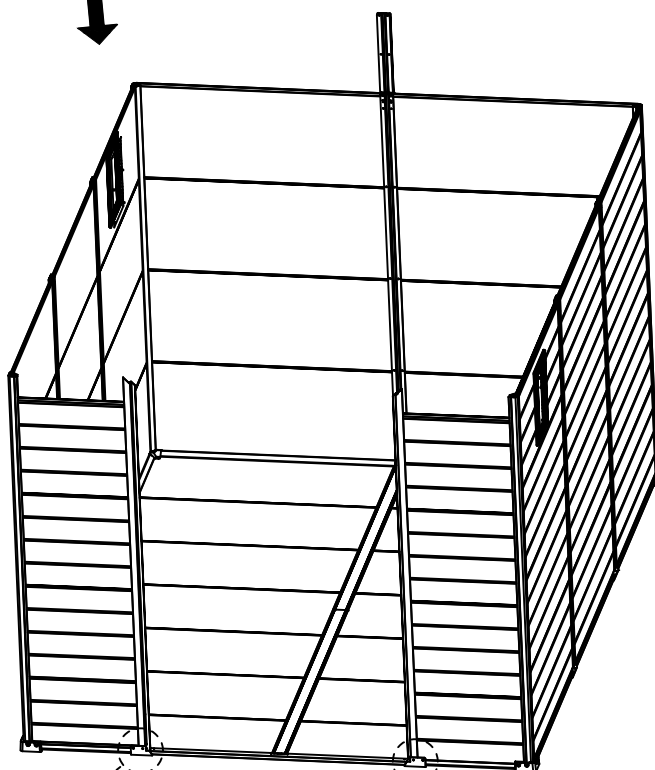
L2

L3

T5

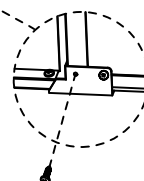
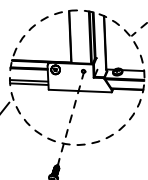


Insert the door frame as shown in the diagram, making sure it is pushed in fully and securely seated.

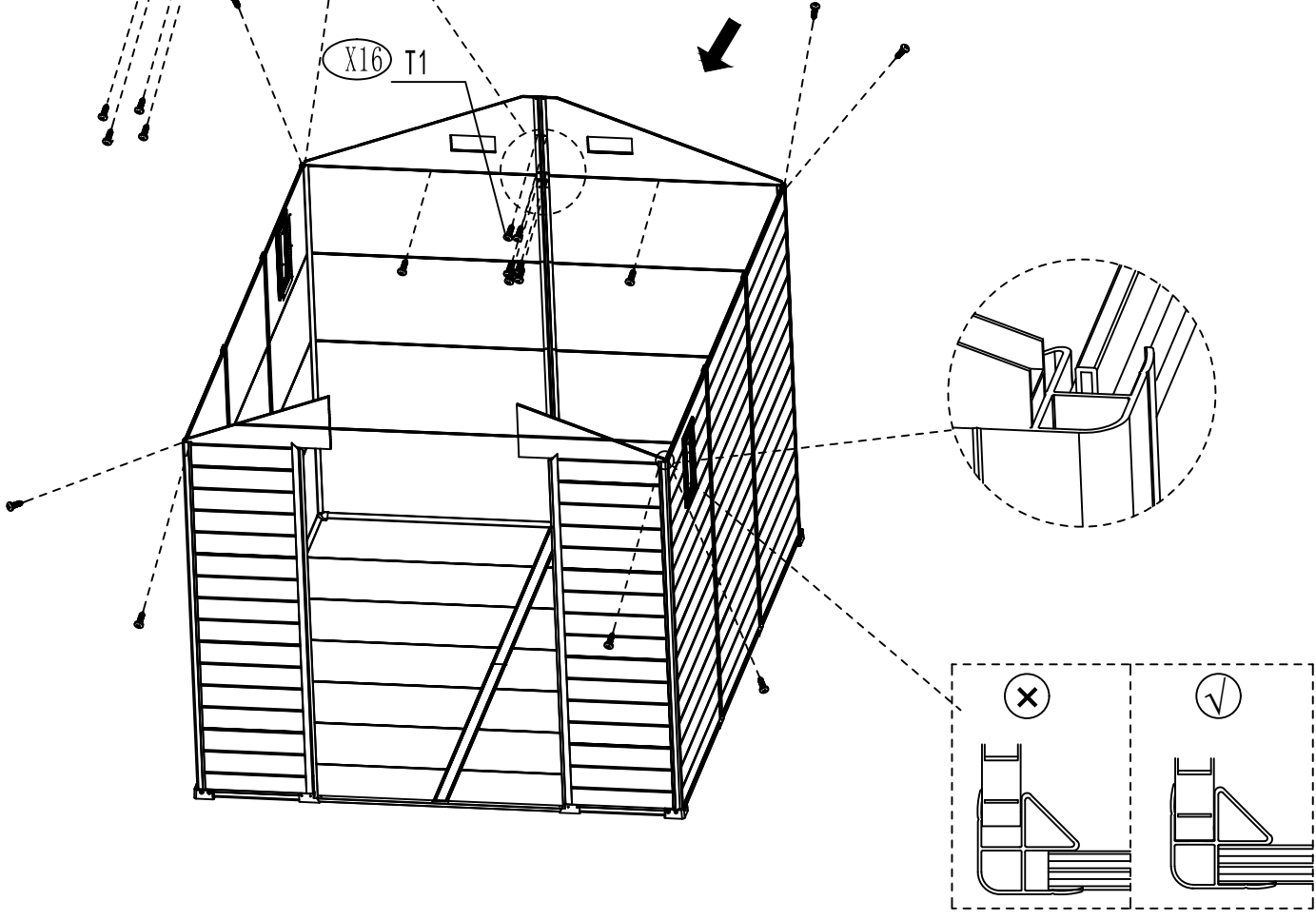
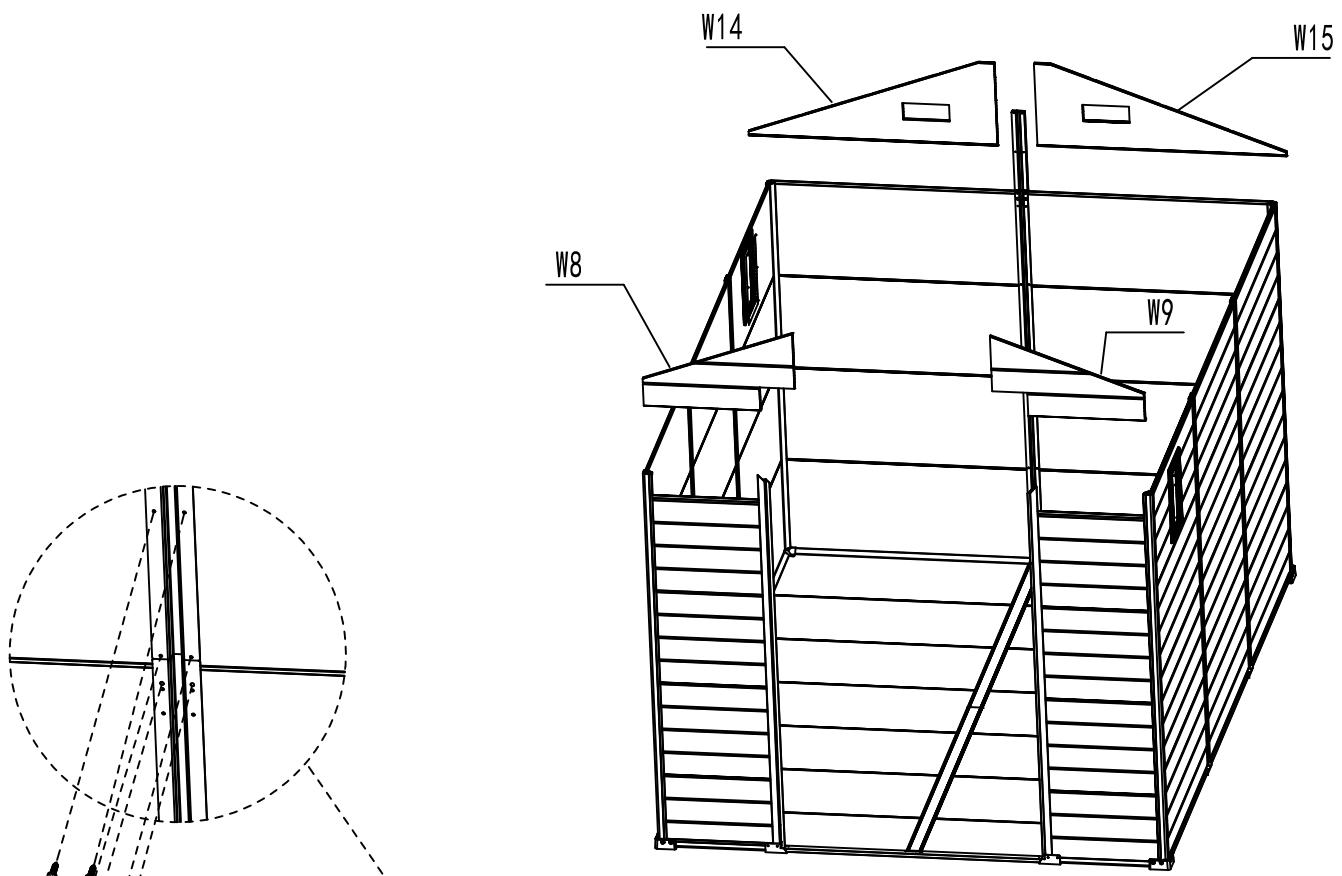


Screw in according to the positions shown in the diagram.

X2 T5



1PCS	1PCS	1PCS	1PCS	16PCS
W8	W9	W14	W15	T1



1PCS

1PCS

1PCS

12PCS

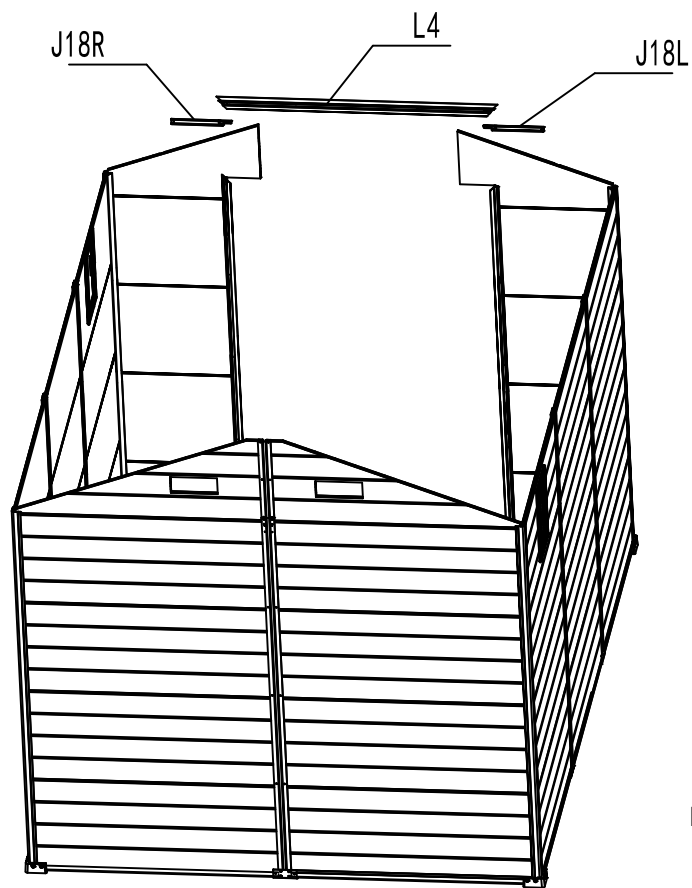


L4

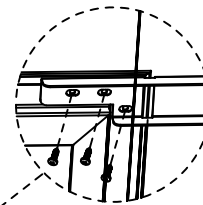
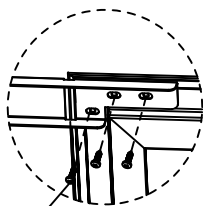
J18L

J18R

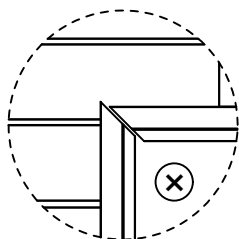
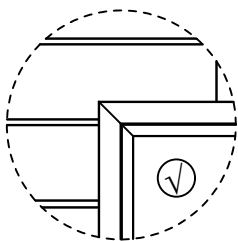
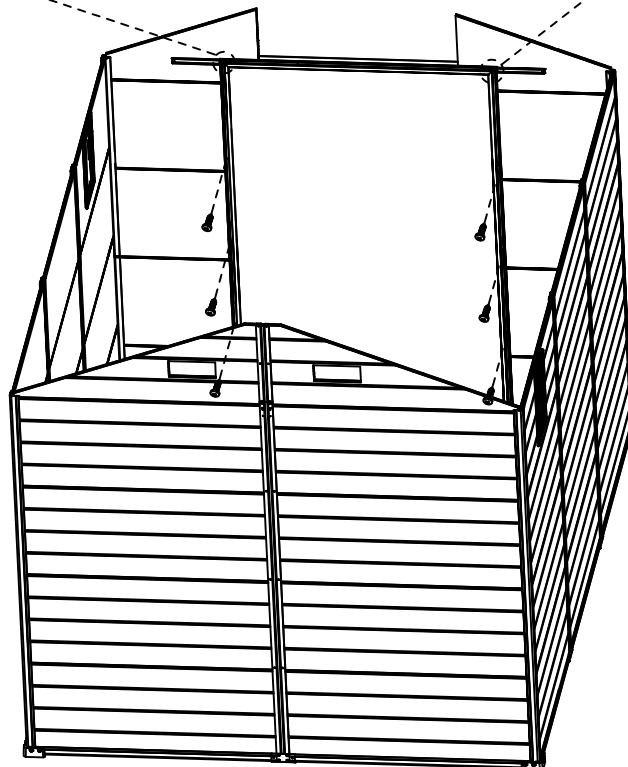
T5



Install the screws in the locations shown in the diagram.



X12 T5



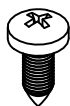
1PCS



2PCS



10PCS



2PCS

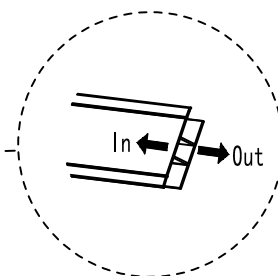
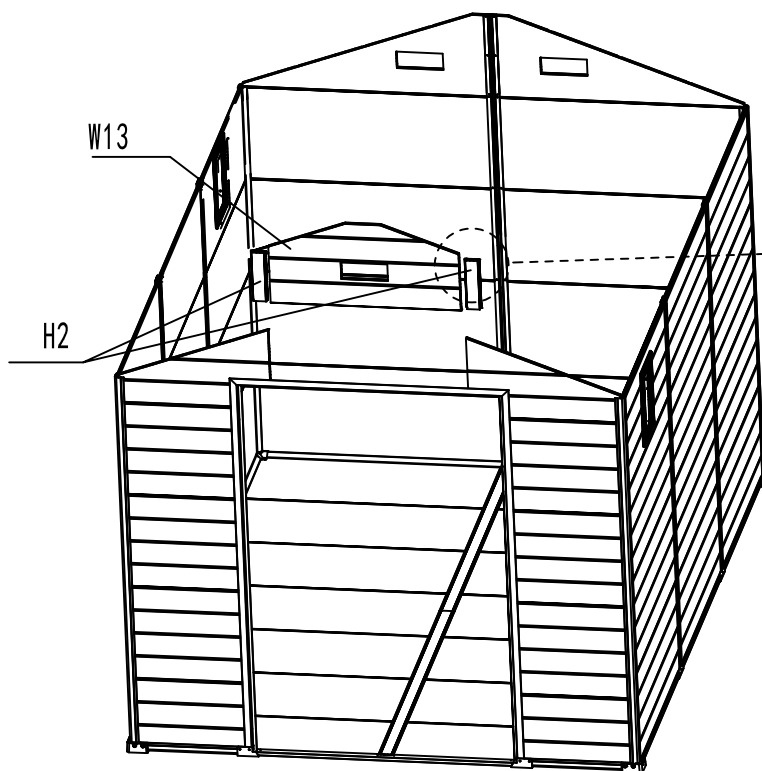


W13

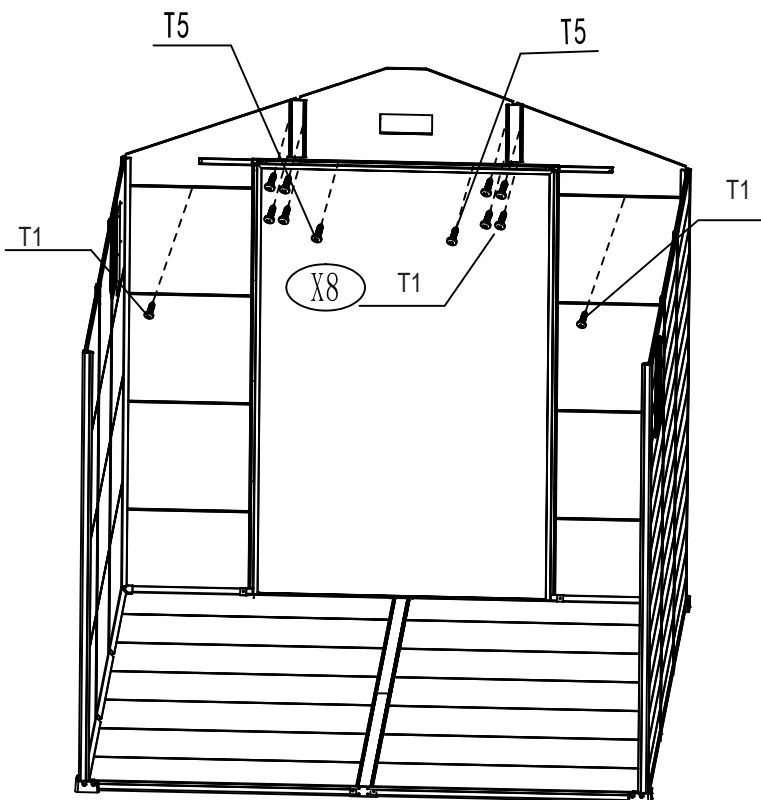
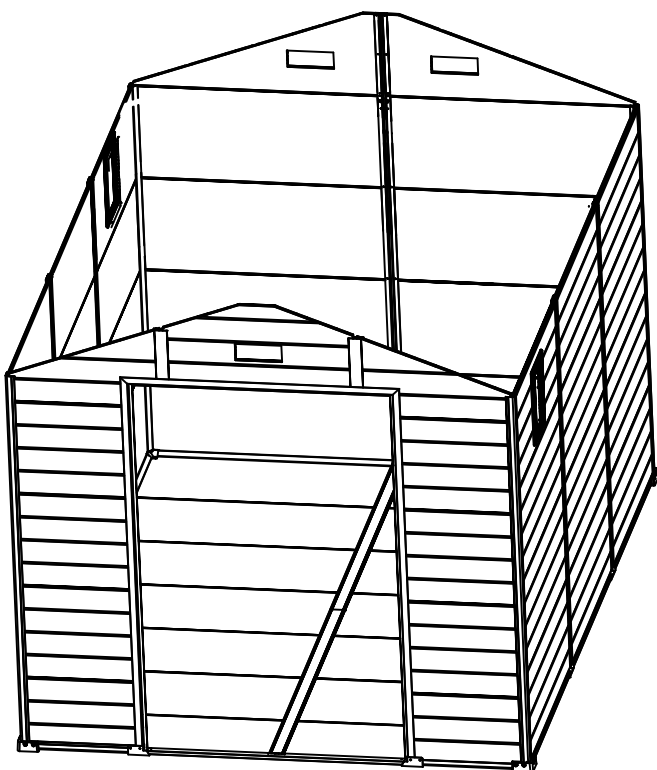
H2

T1

T5



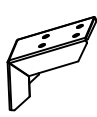
Install the screws in the locations shown in the diagram.



40PCS



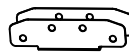
4PCS



4PCS



2PCS



2PCS



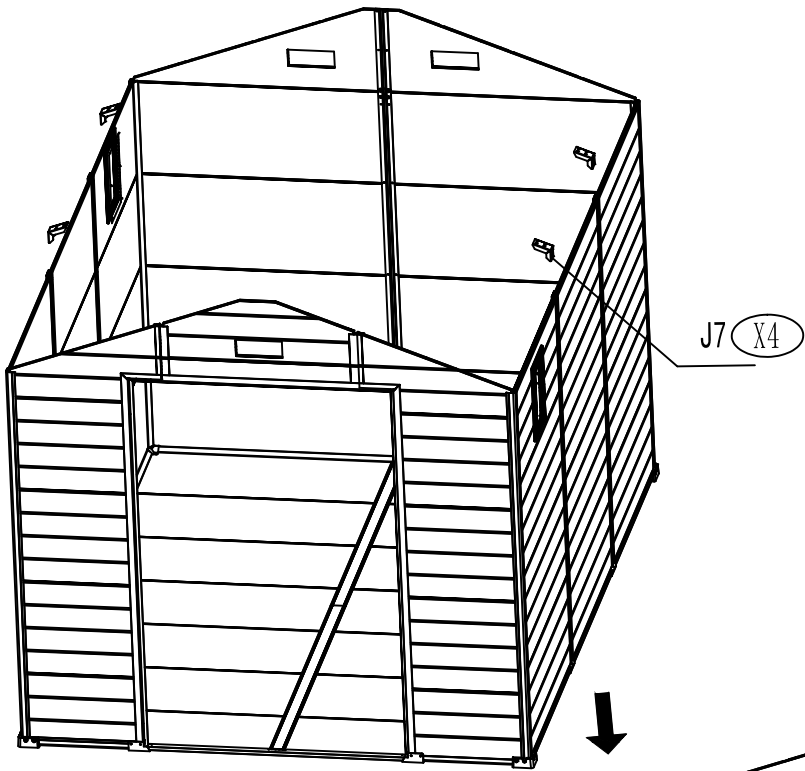
T1

J7

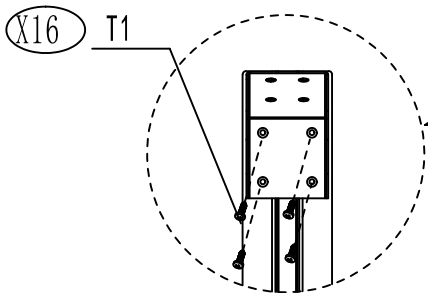
J8

J14

J13

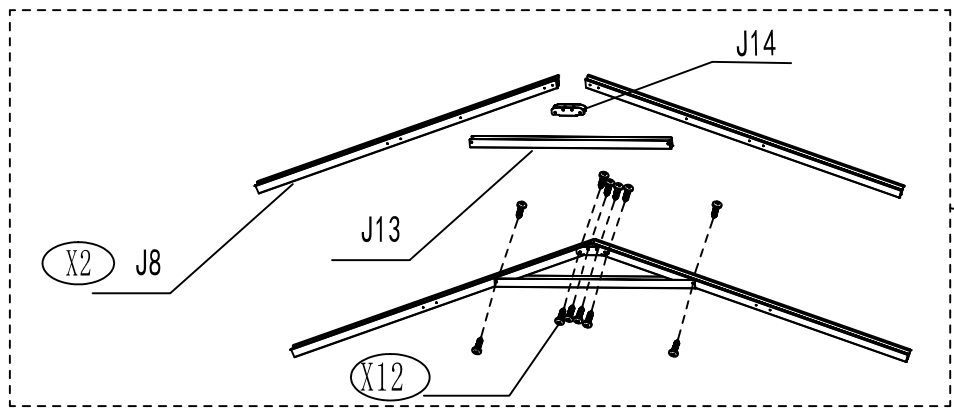
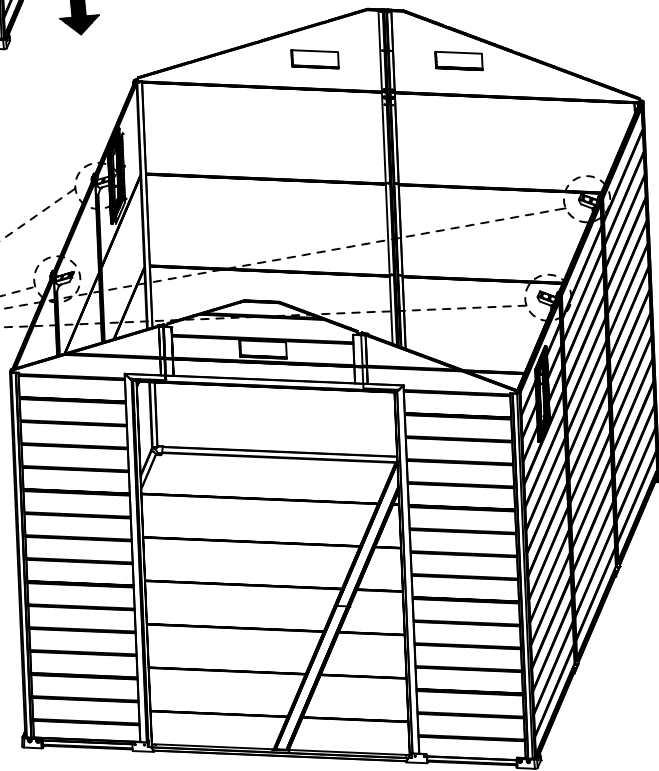


J7 (X4)



(X16) T1

Install the screws in the locations shown in the diagram.



J14

J13

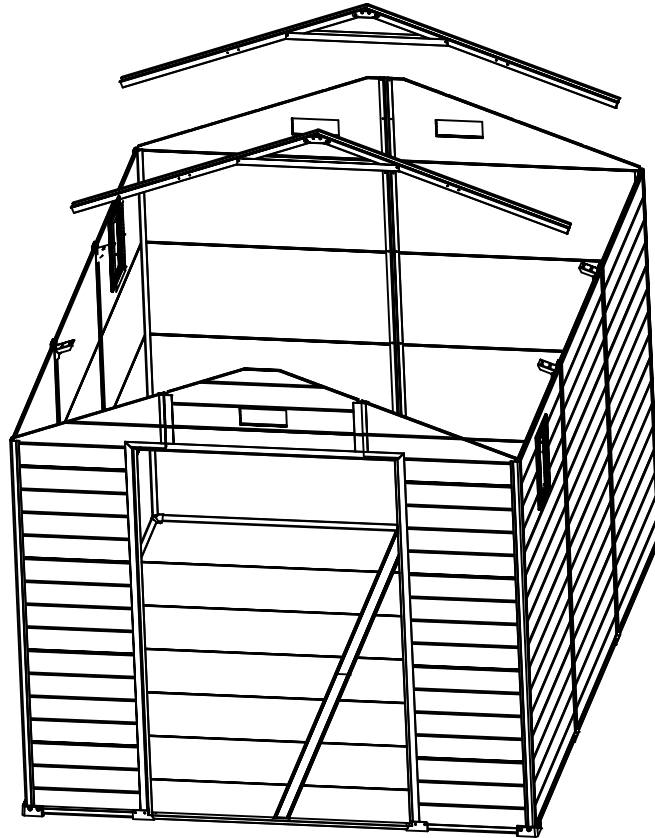
J8

(X12)

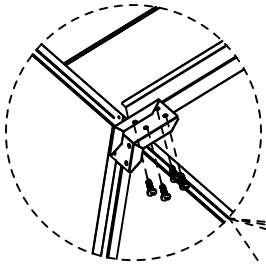
(X2)



T1

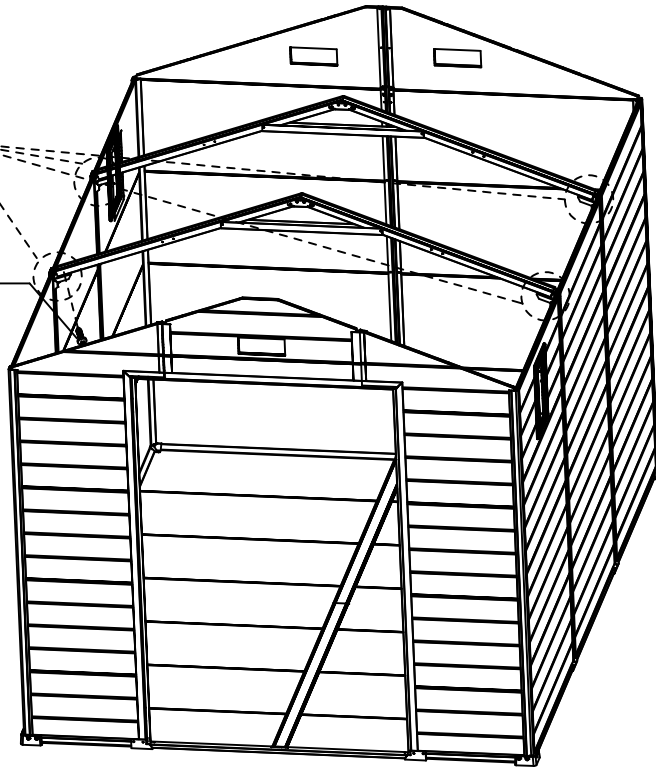


Install the screws in the locations shown in the diagram.

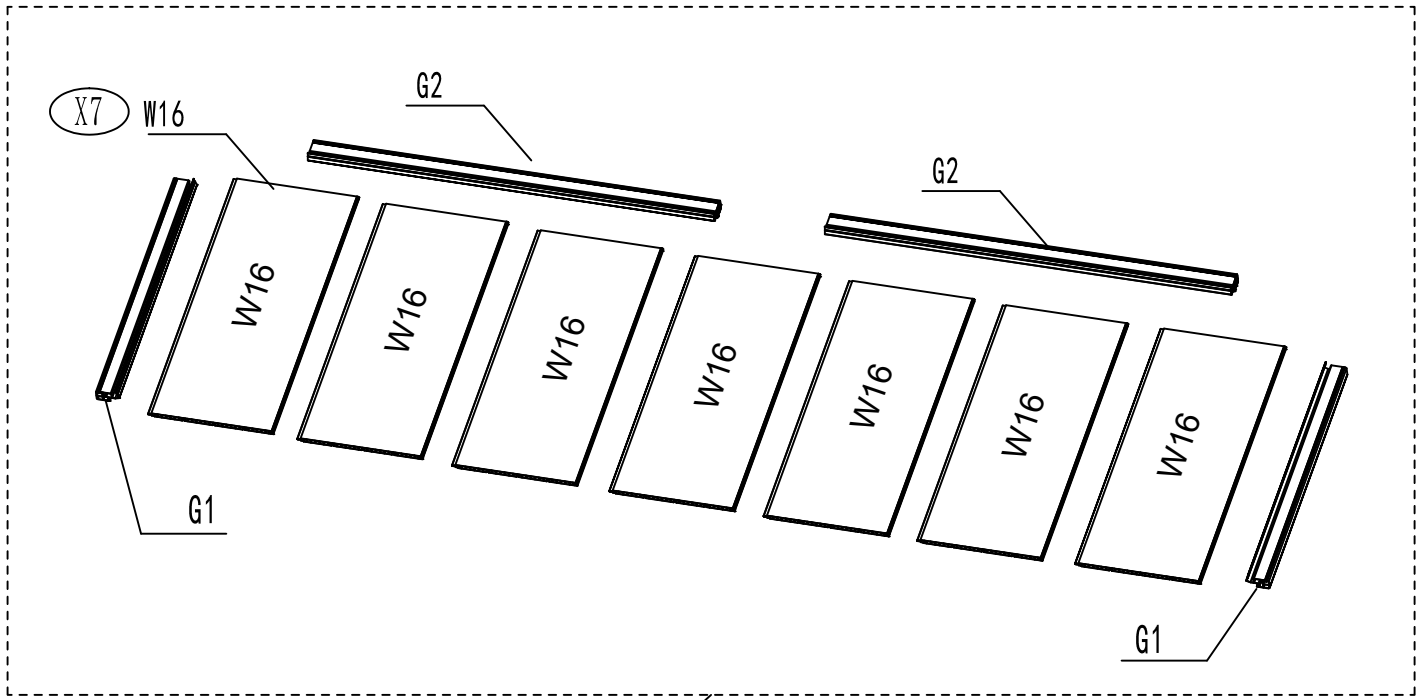


X16

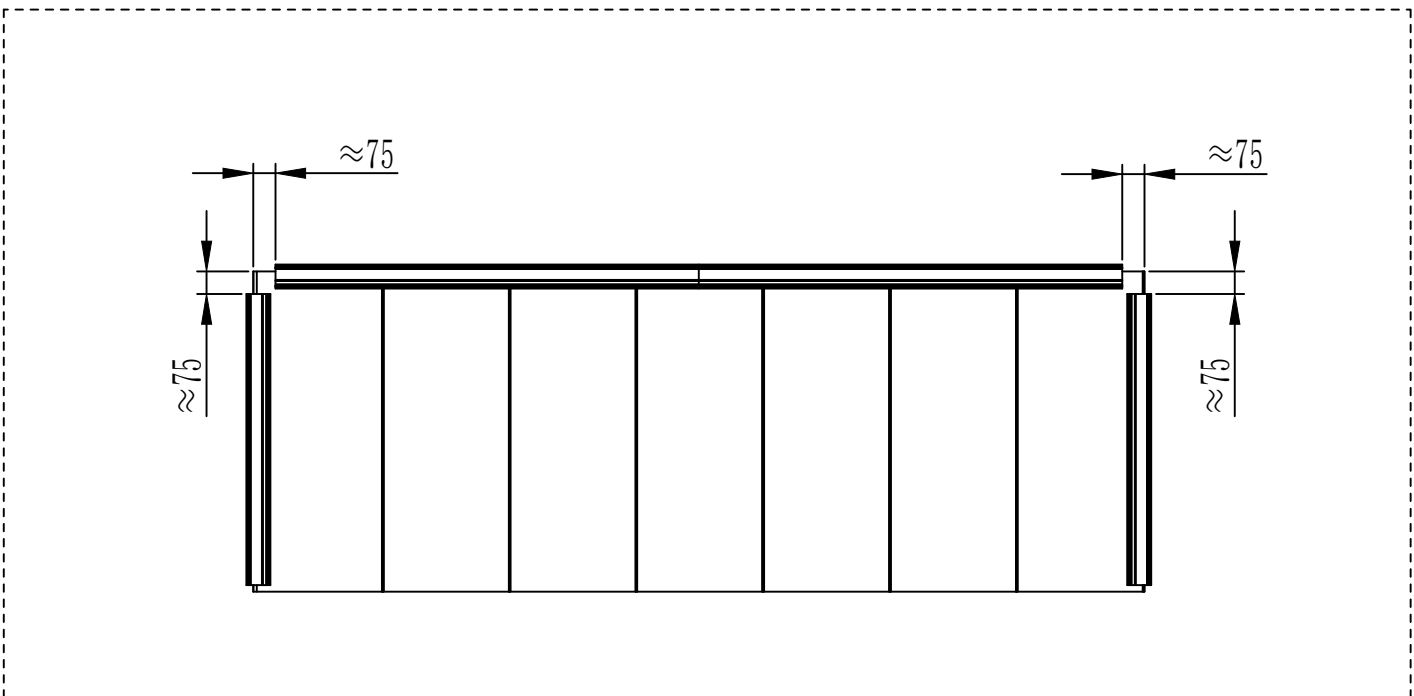
T1



14PCS		4PCS		4PCS			
W16		G1		G2			



X2



X2

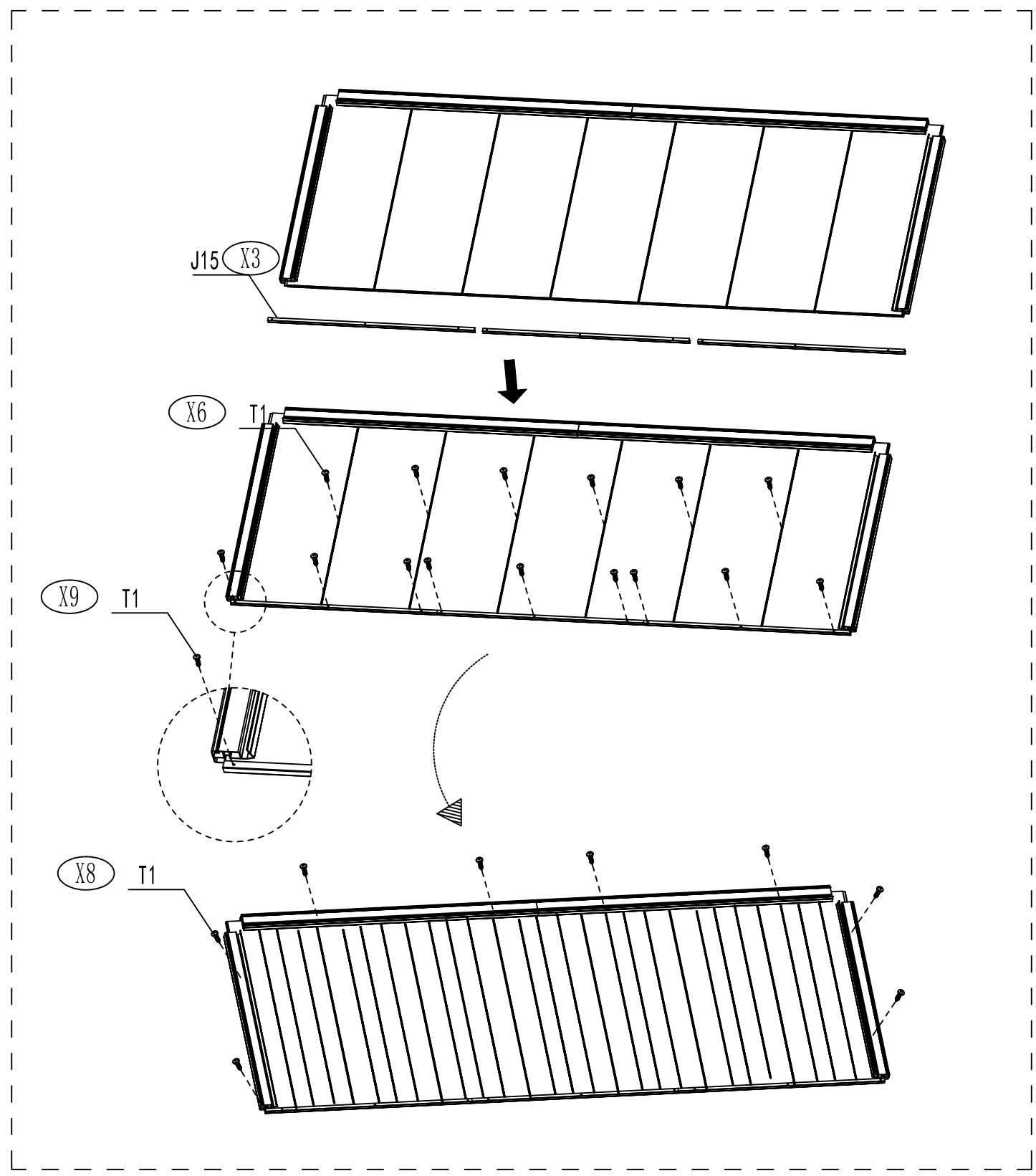
6PCS

46PCS

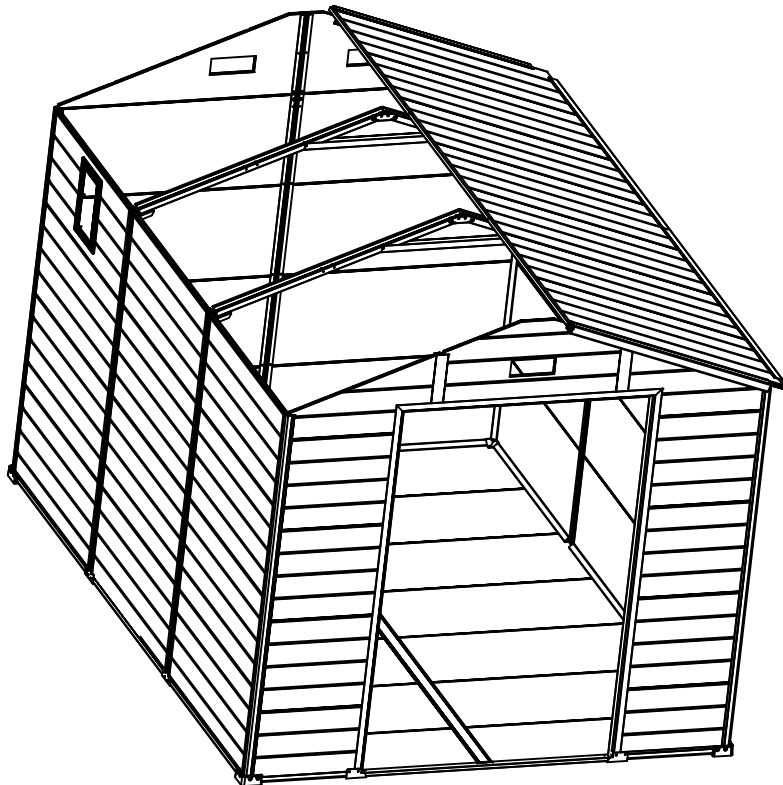
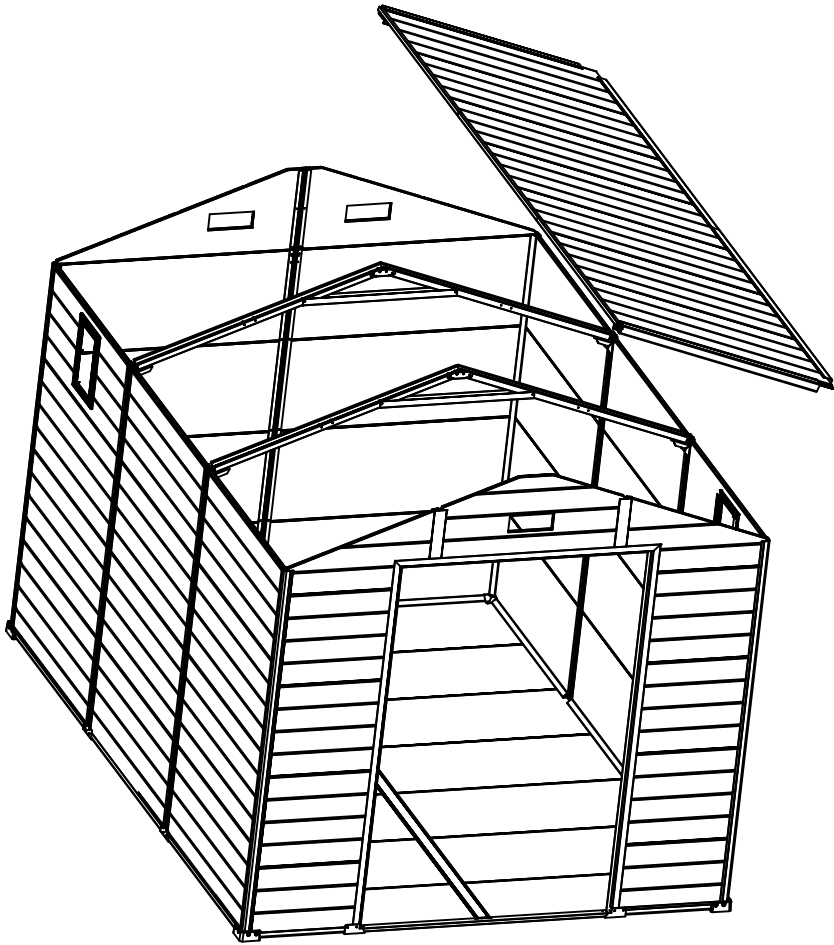


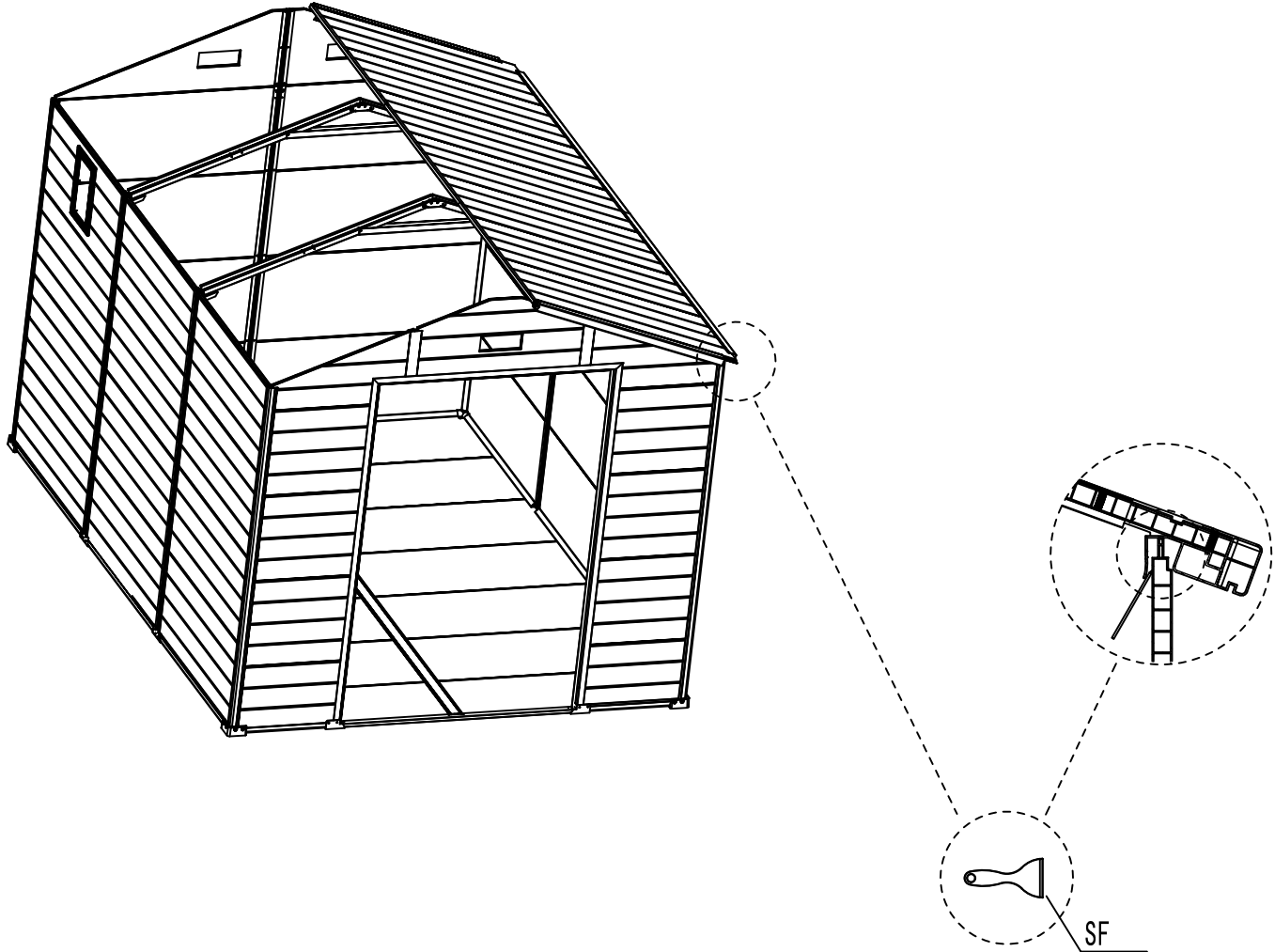
J15

T1

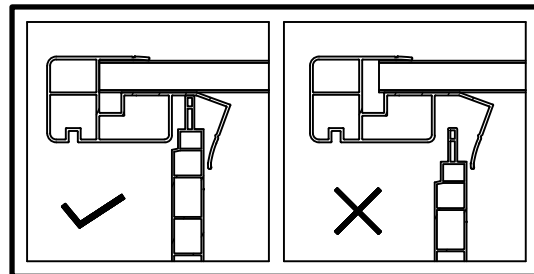


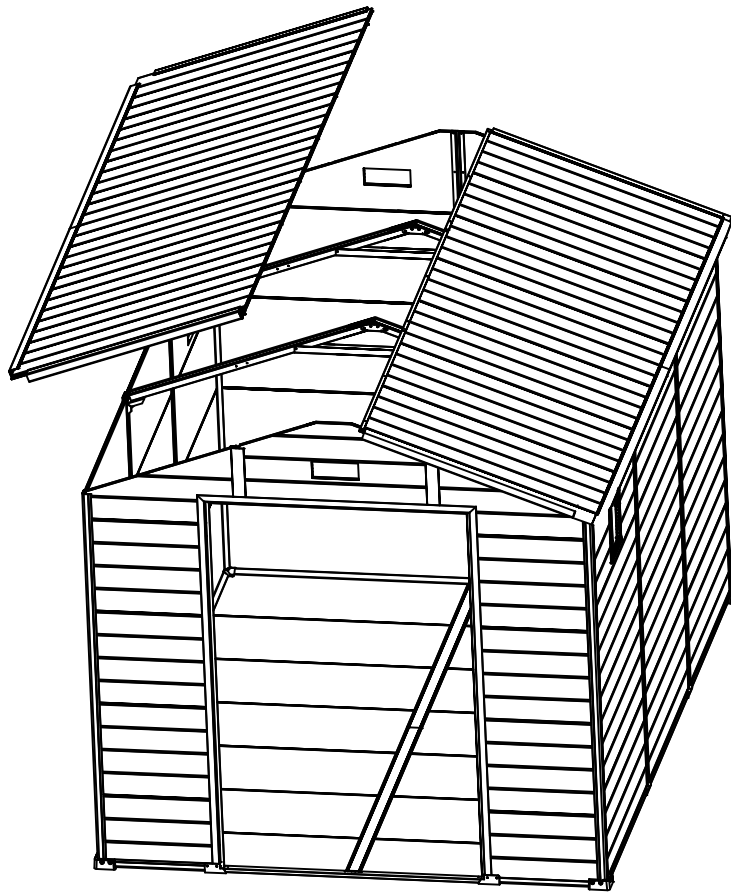
X2



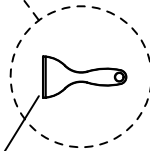
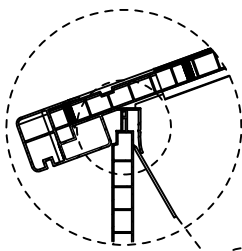


Use the SF (tool/component) to ensure all panels are fully inserted into the G-profile and are completely seated.

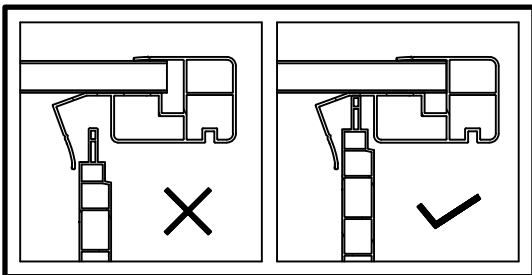
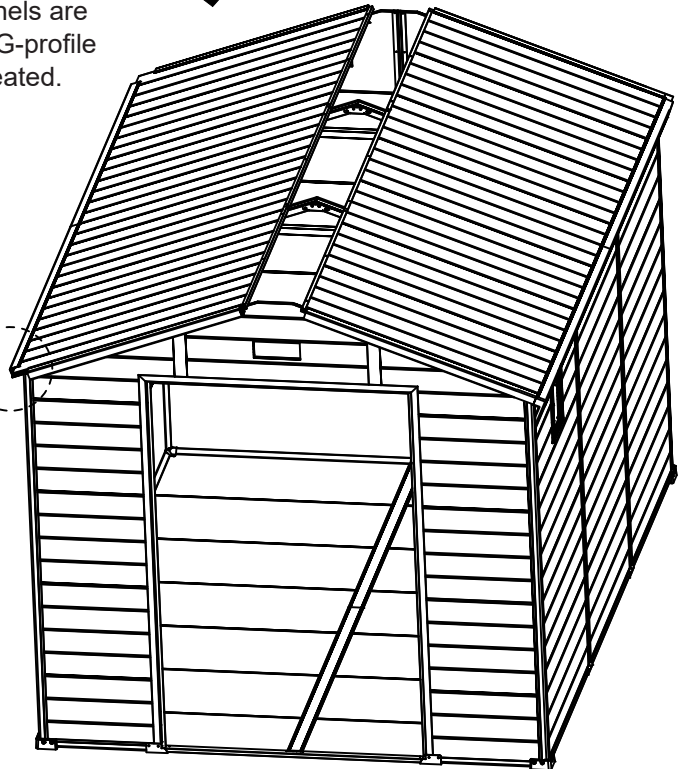




Use the SF (tool/component) to ensure all panels are fully inserted into the G-profile and are completely seated.



SF

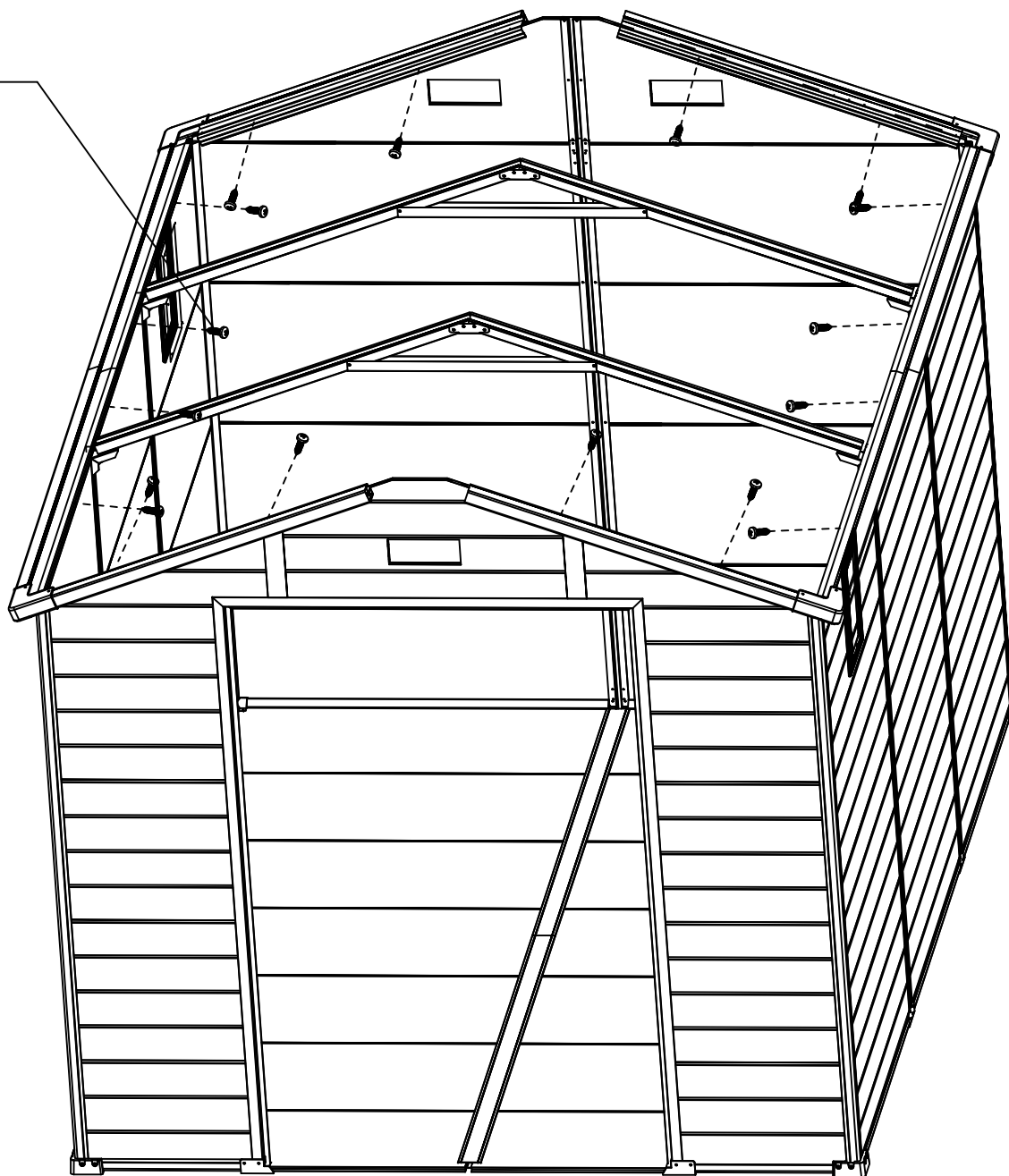




T3

X16

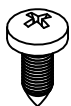
T3



Install the T3 screws through the pre-grooved channel of the G-profile at an upward angle to connect the panel to the profile.

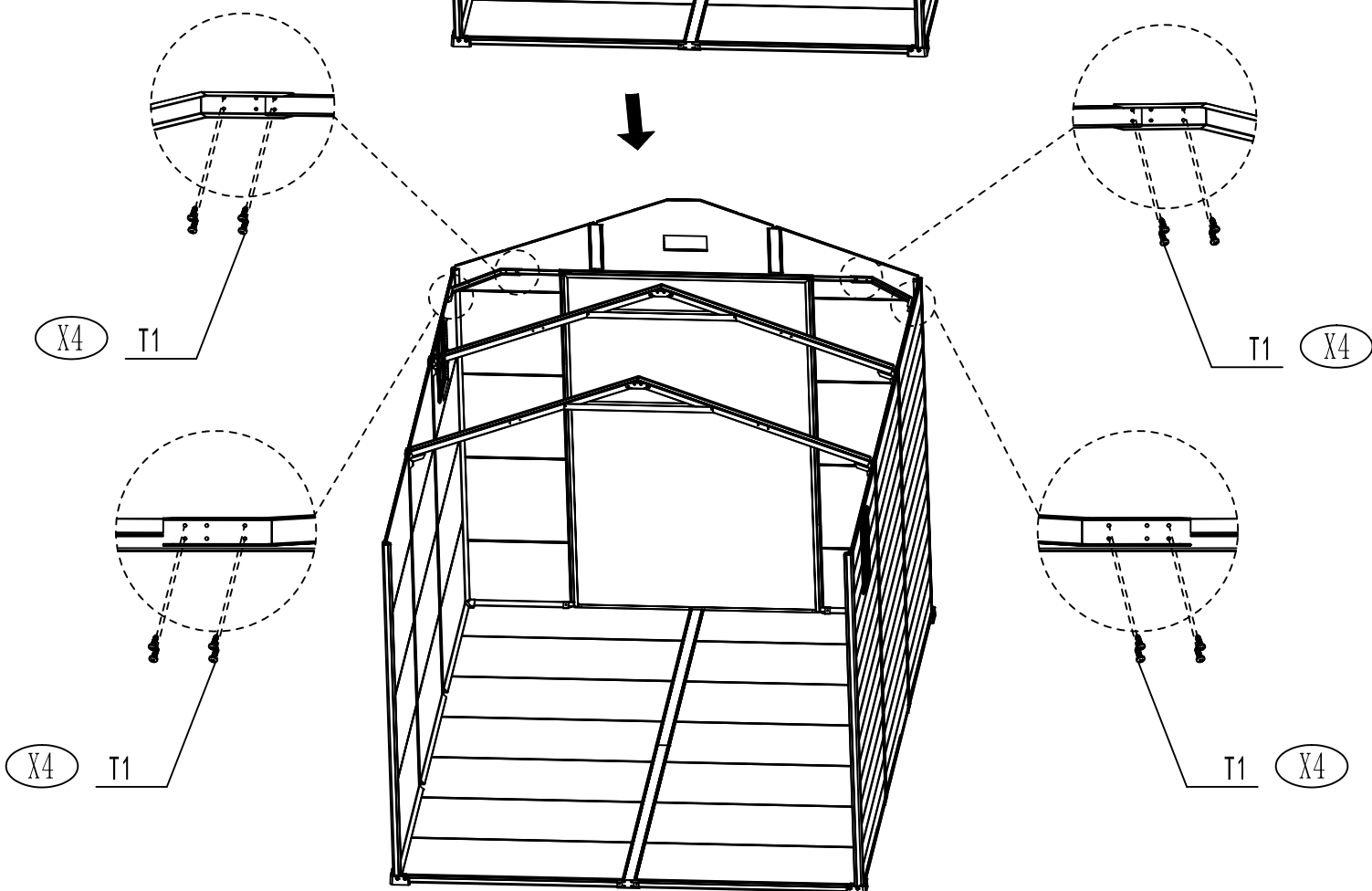
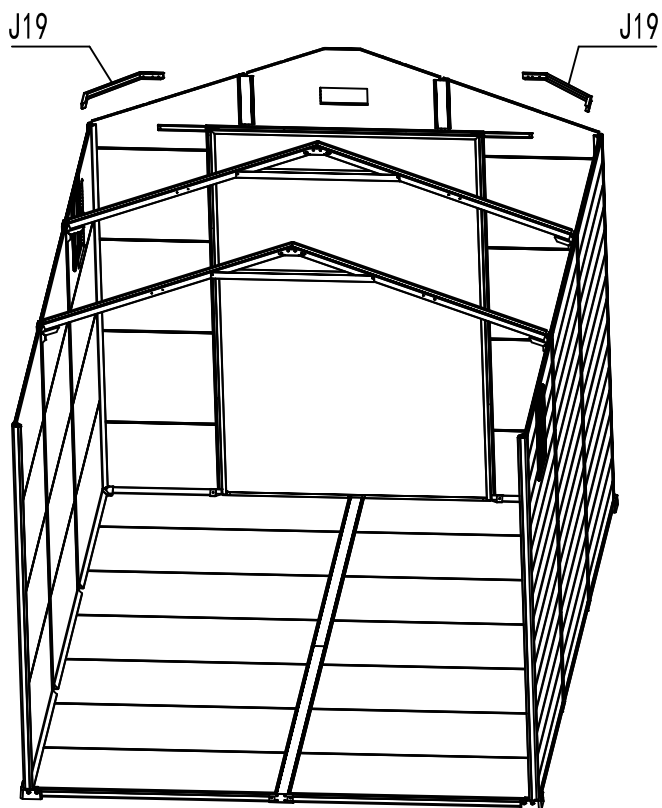
2PCS

16PCS



J19

T1

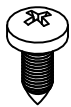


Screw in according to the positions shown in the diagram.

2PCS

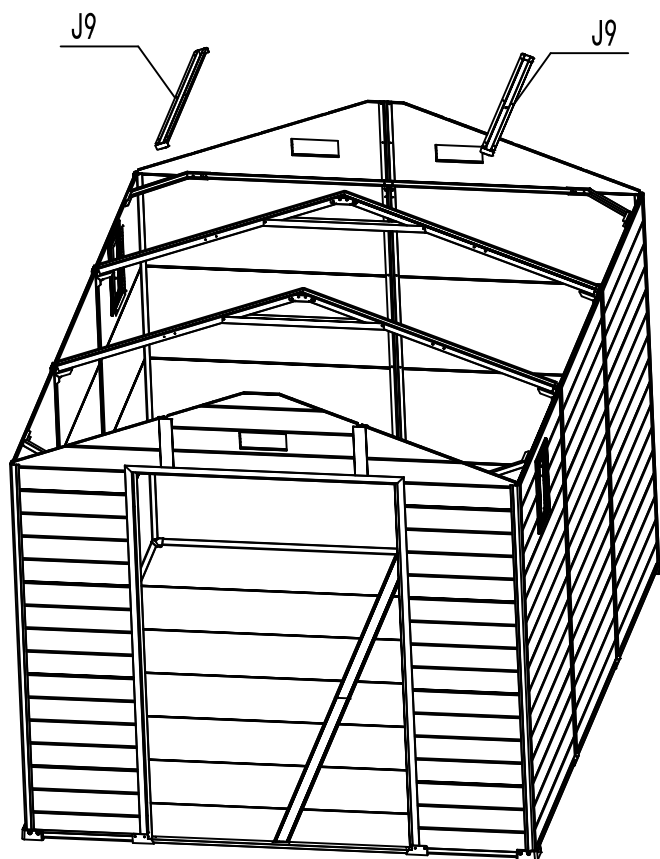


8PCS



J9

T1

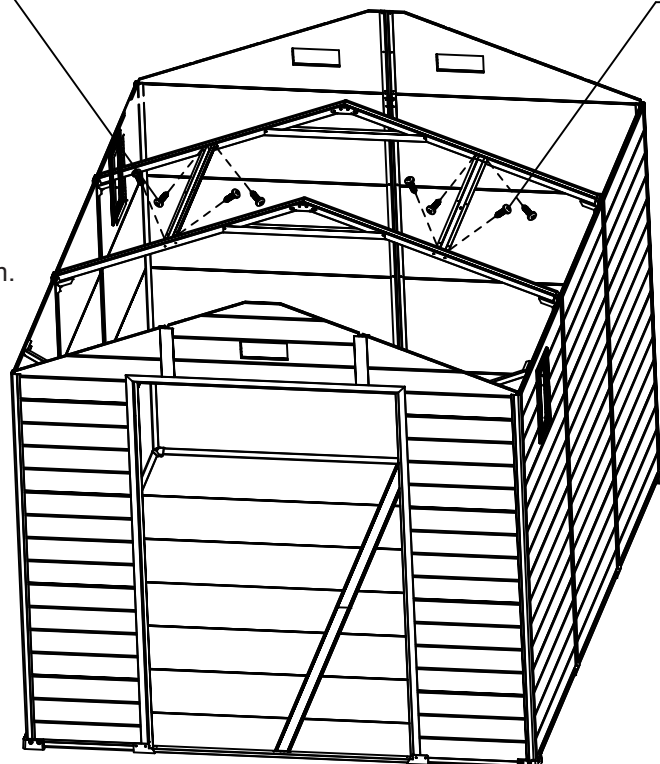


X4

T1

T1

X4



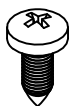
Screw in according to the positions shown in the diagram.

4PCS



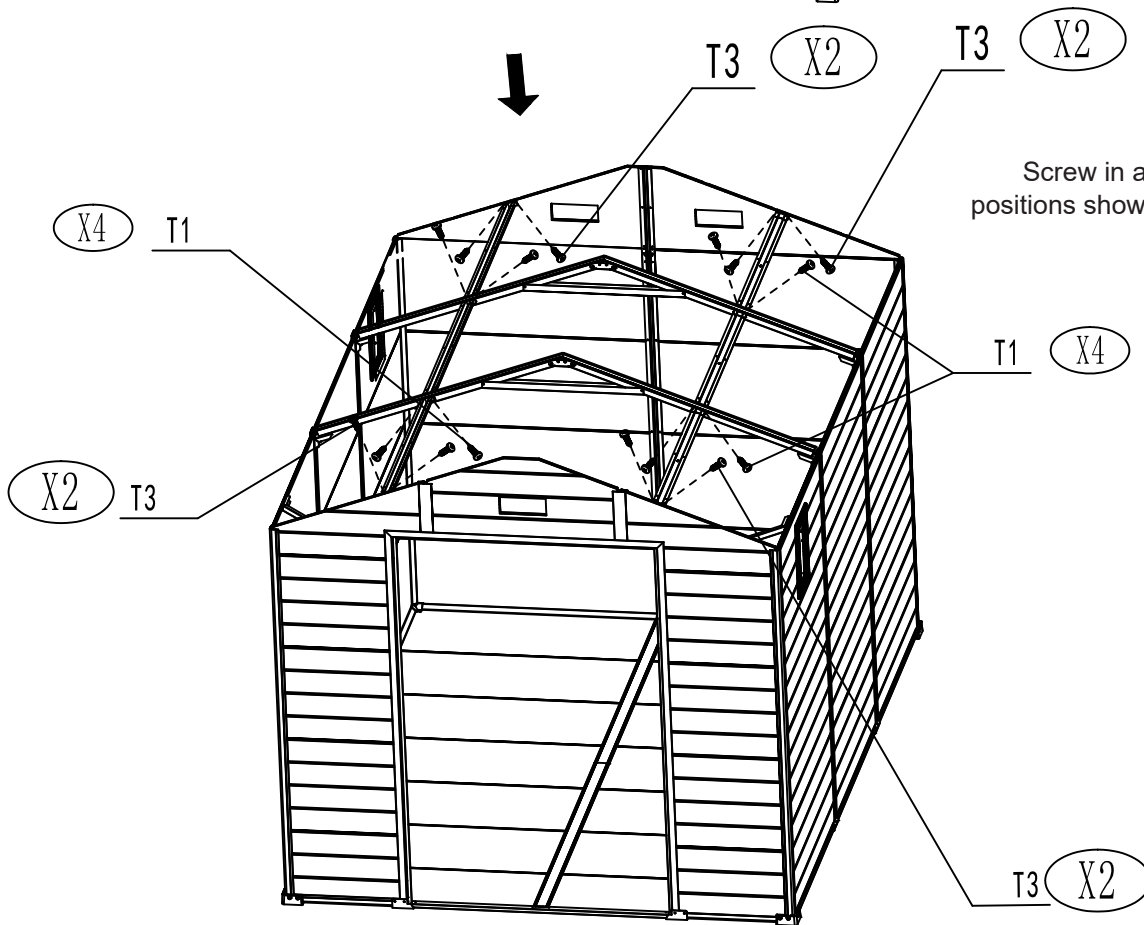
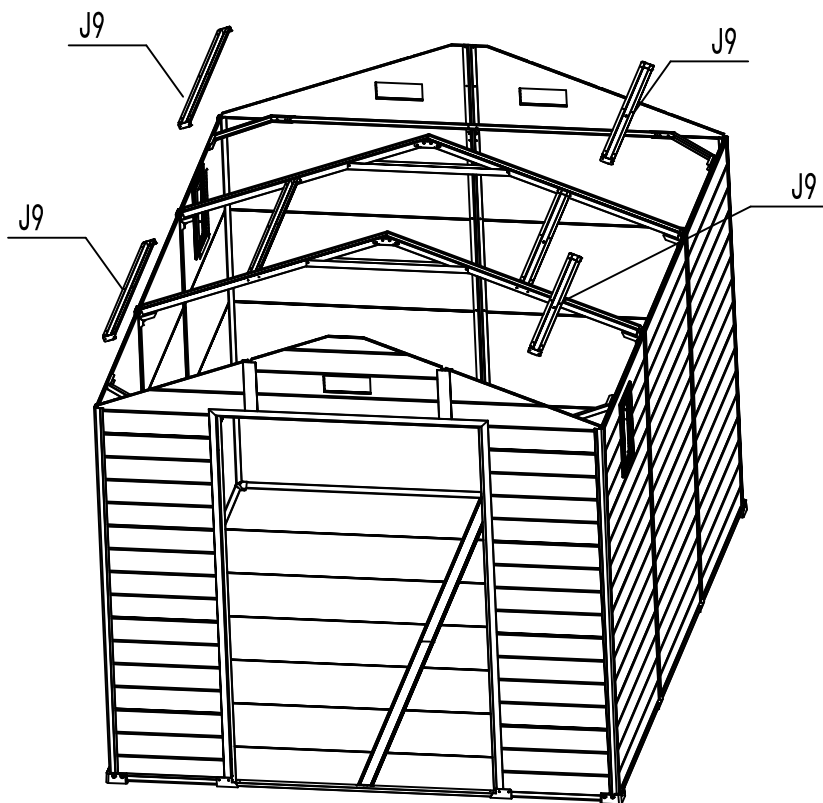
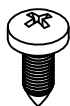
8PCS

T1



8PCS

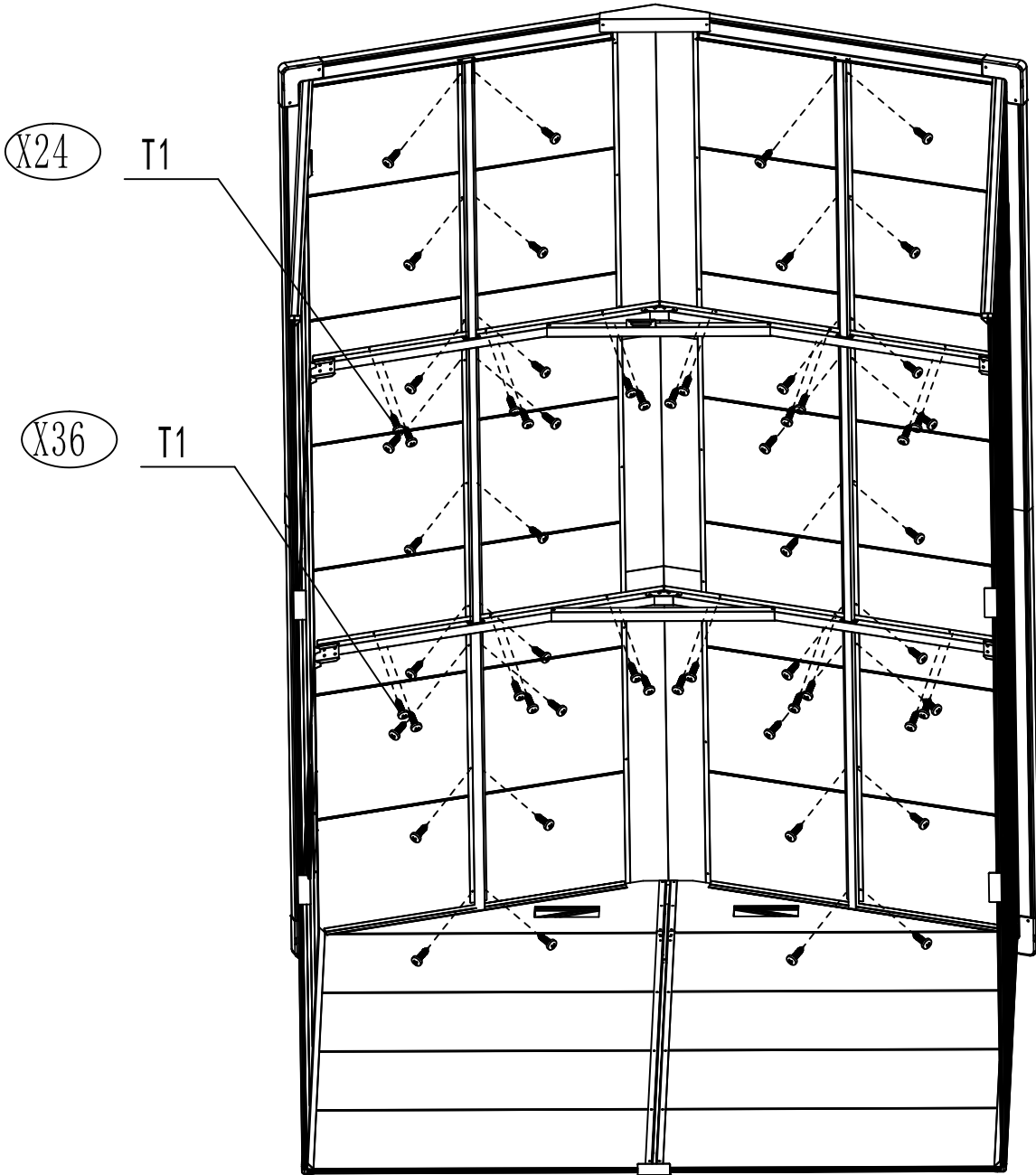
T3



Screw in according to the positions shown in the diagram.



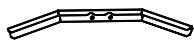
T1



Screw in according to the positions shown in the diagram.

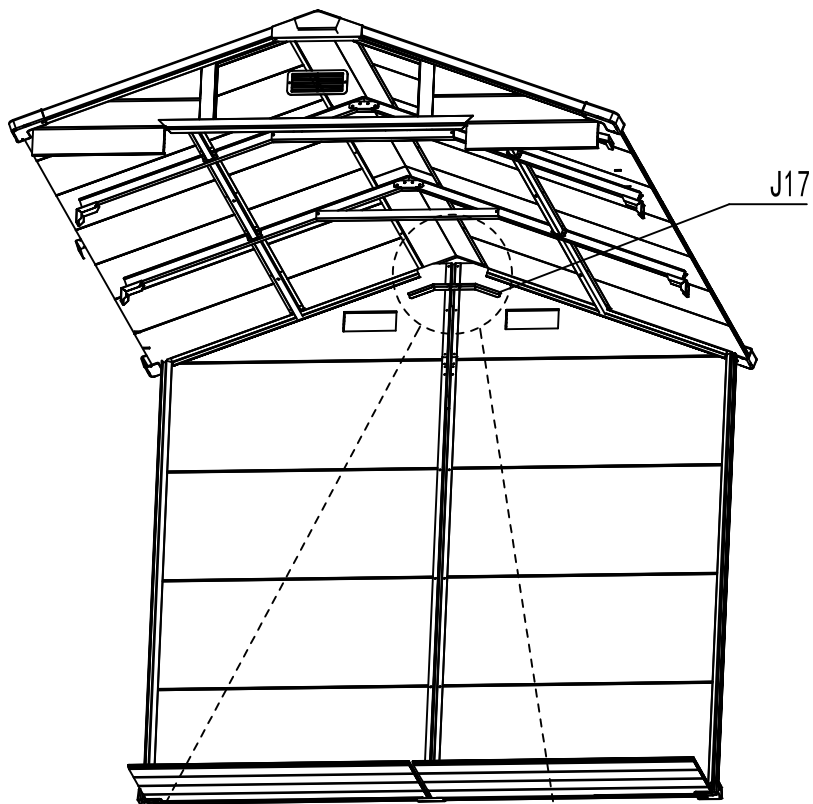
1PCS

4PCS



J17

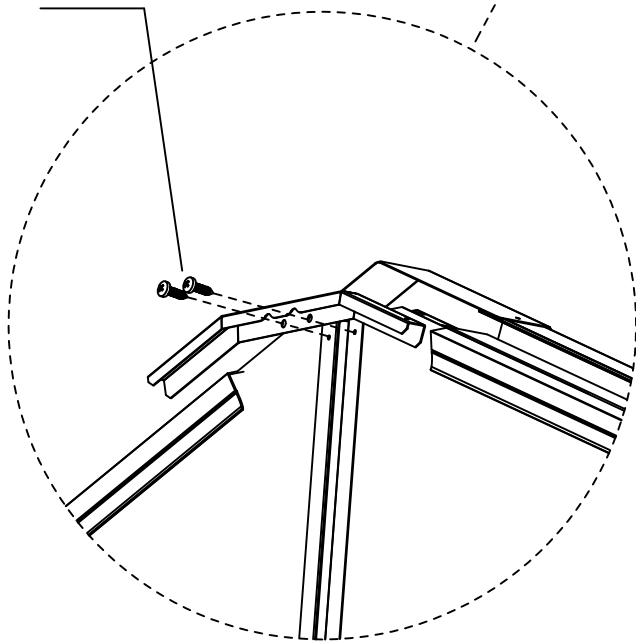
T1



J17

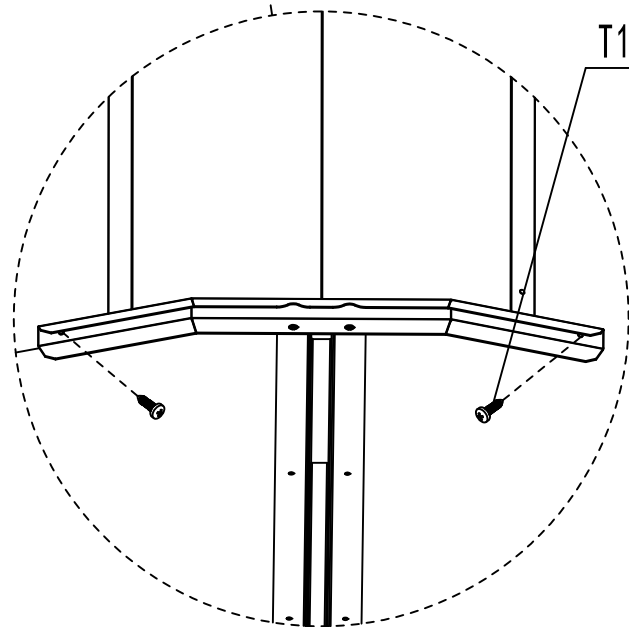
X2

T1



T1

X2



Screw in according to the positions shown in the diagram.

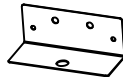
4PCS



4PCS



2PCS



16PCS

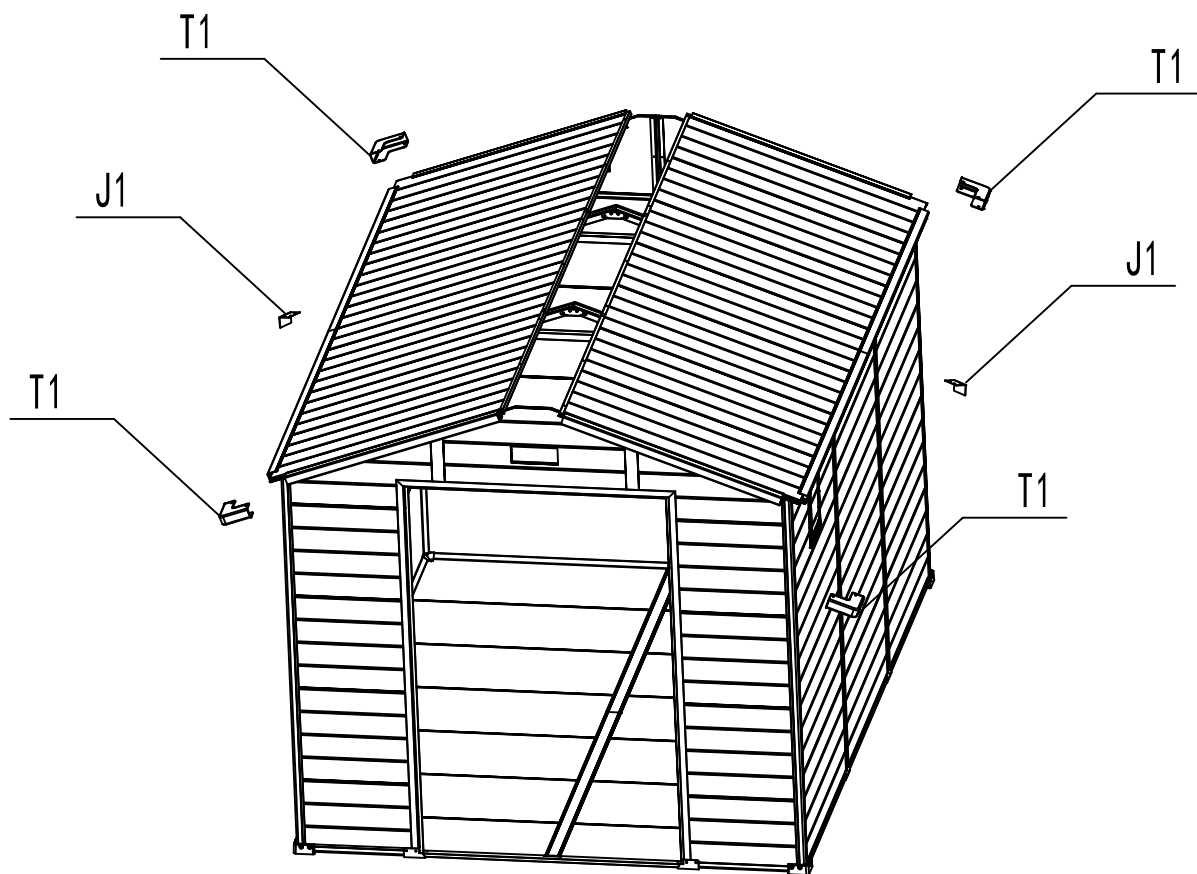


SB

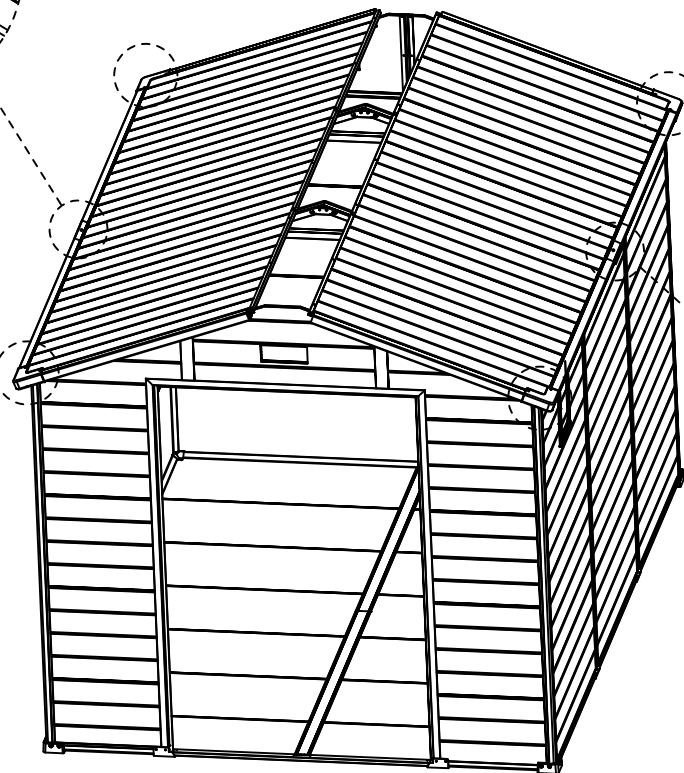
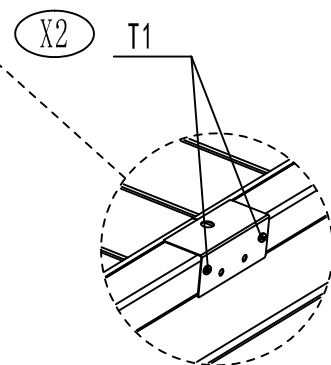
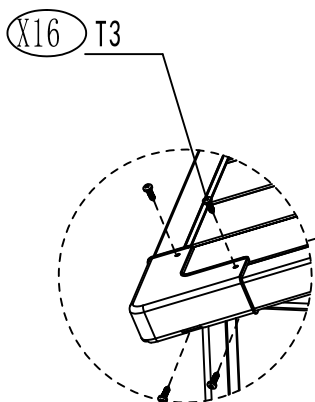
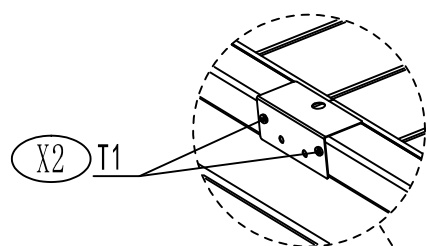
T1

J1

T3



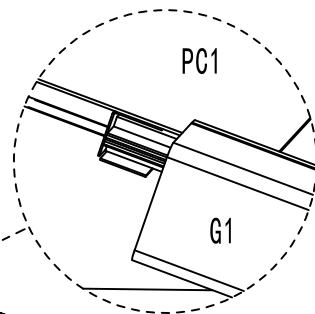
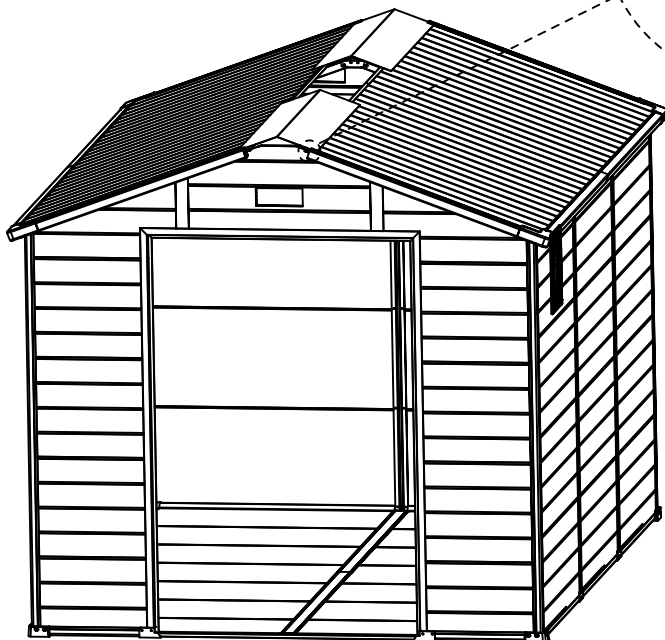
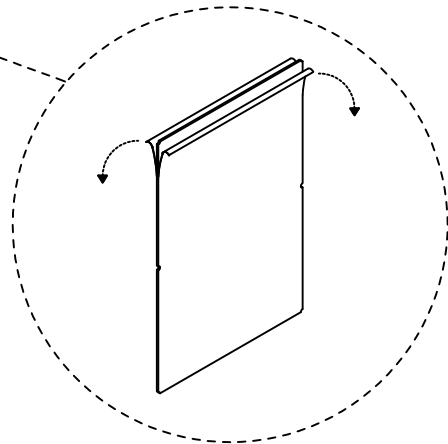
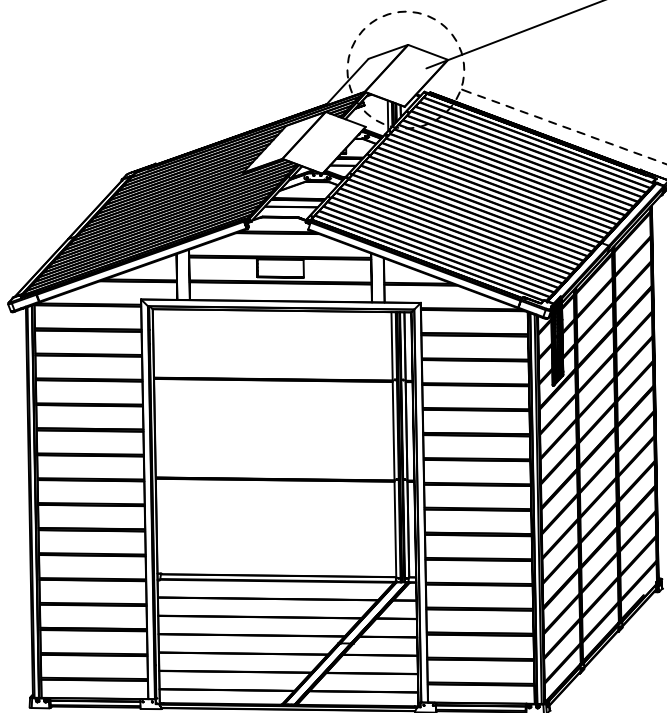
Screw in according to the positions shown in the diagram.





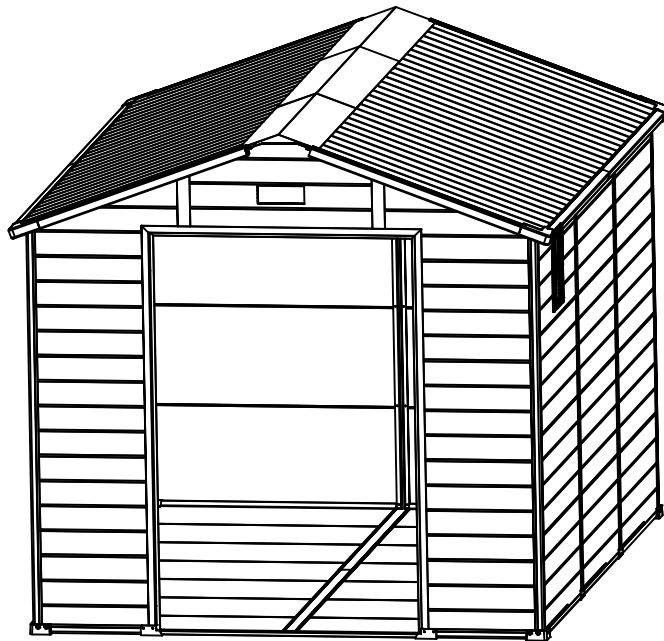
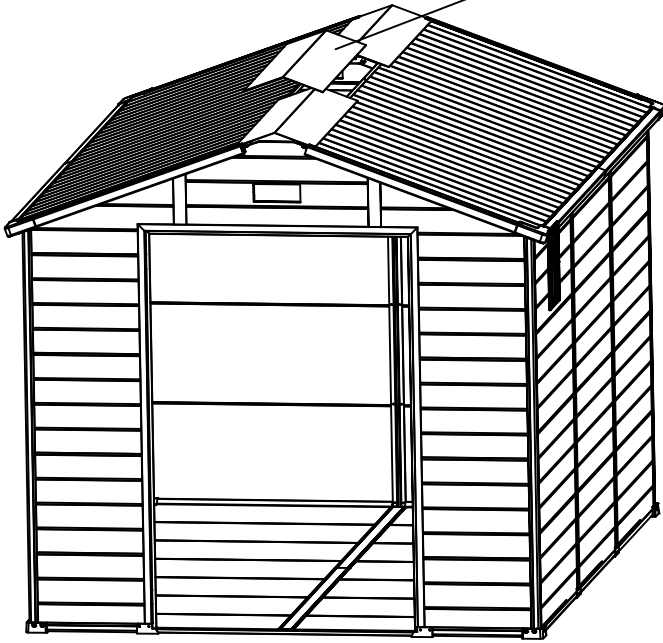
PC1 (X2)

Please peel off the film before installation.



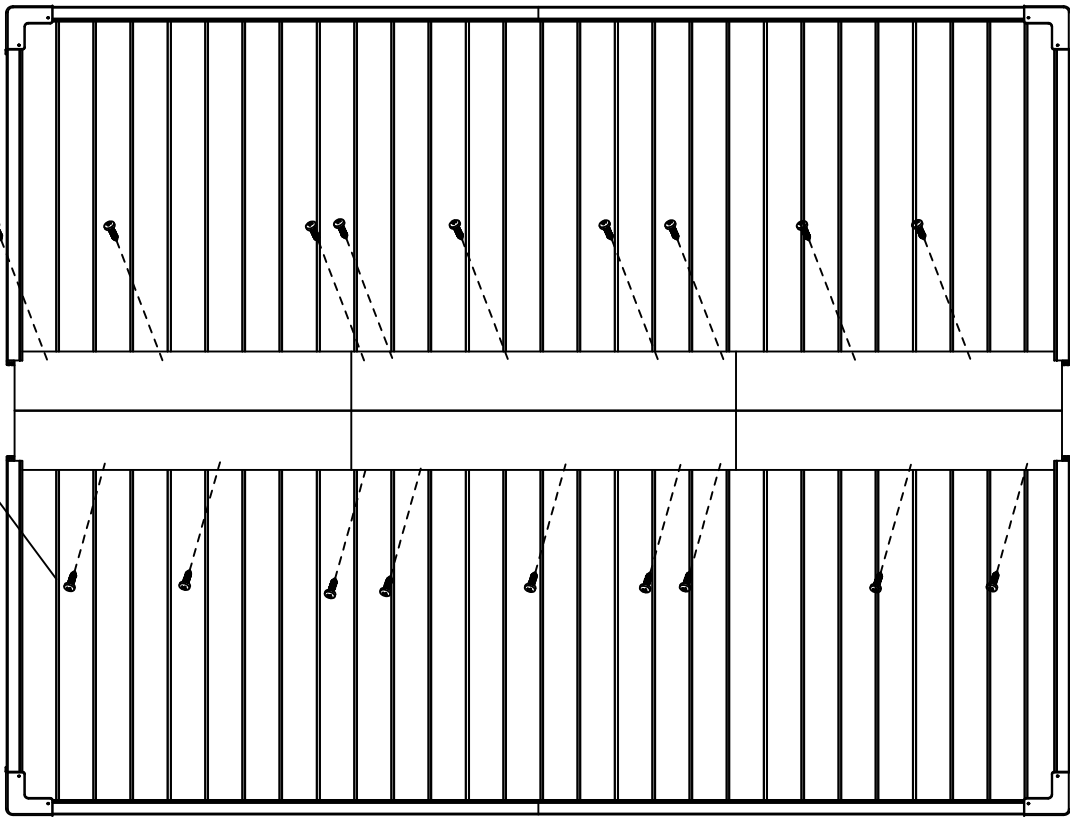


PC1





T1



Safely get onto the roof using a ladder. Drill through the skylight panel where the holes are marked and secure it firmly.

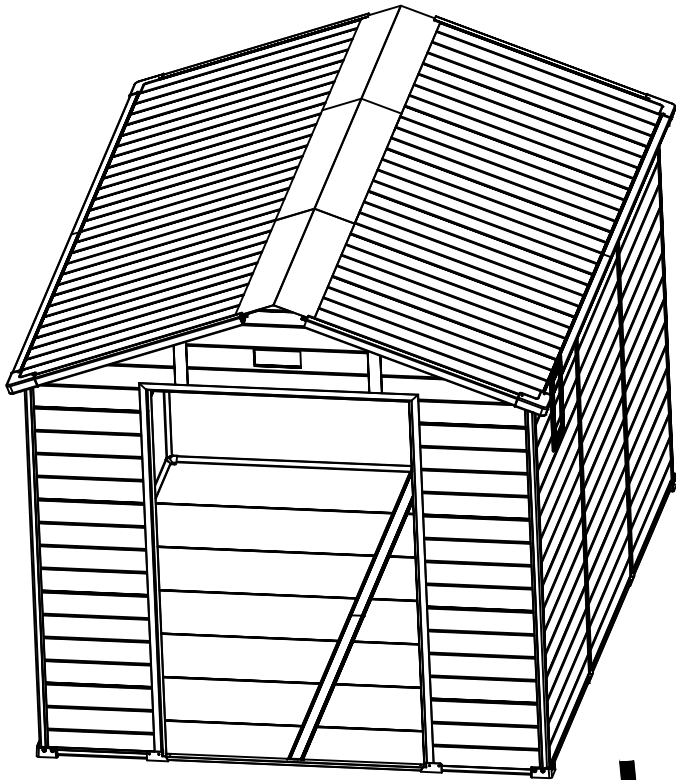
1PCS

2PCS

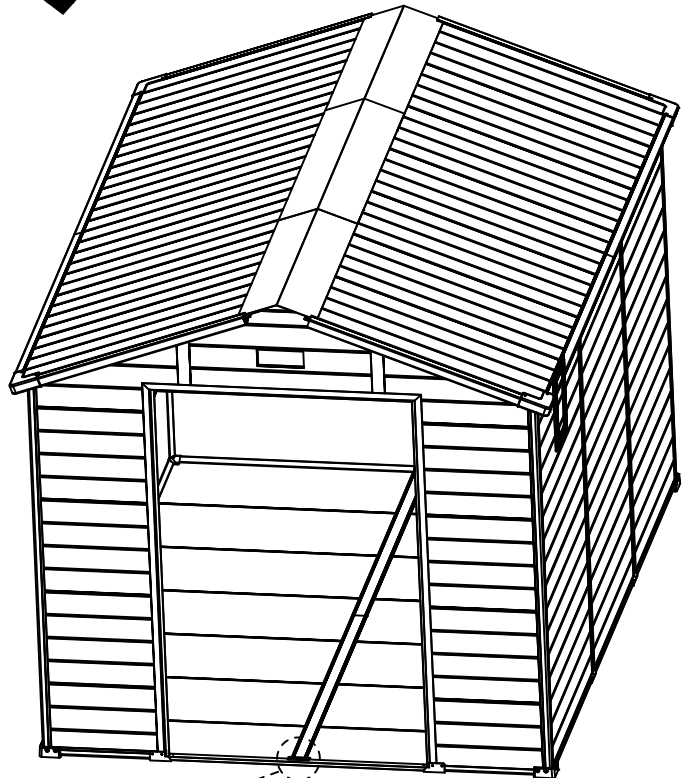


CXP

T1

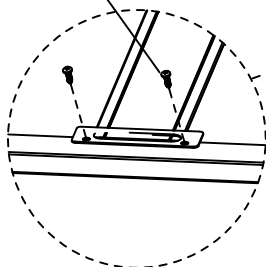


CXP



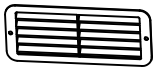
X2

T1



Screw in according to the positions shown in the diagram.

3PCS

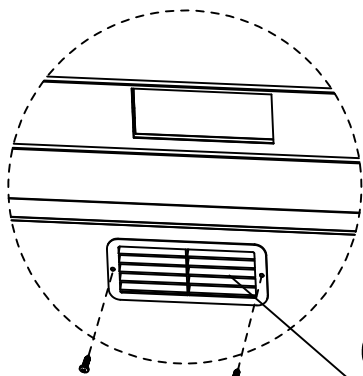
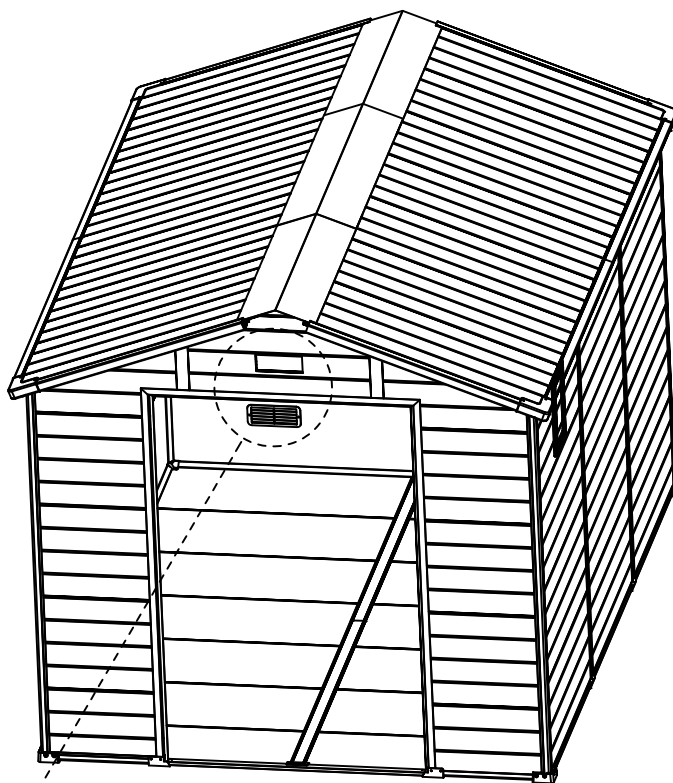


6PCS



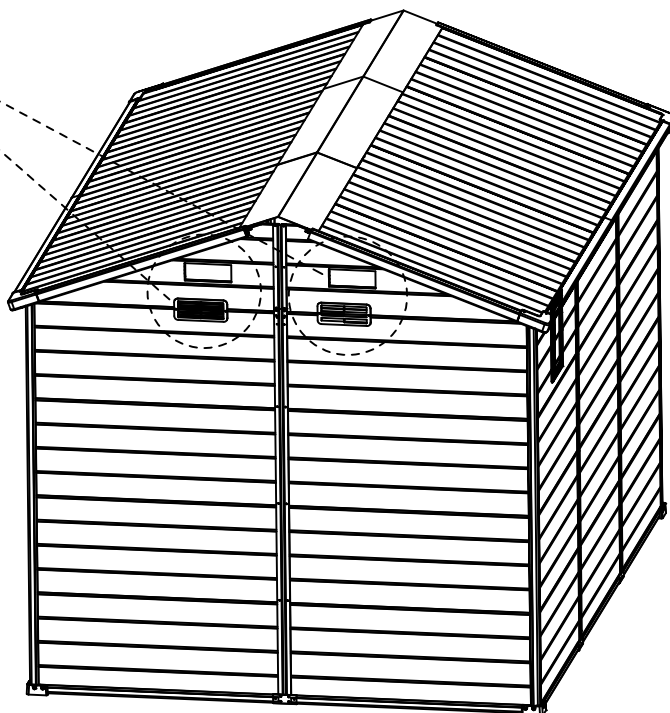
GF

T1



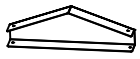
GF (X3)

T1 (X6)



Screw in according to the positions shown in the diagram.

2PCS

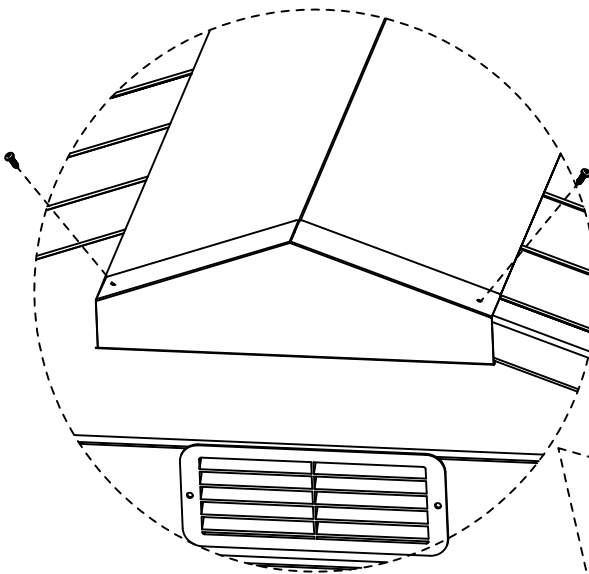


8PCS



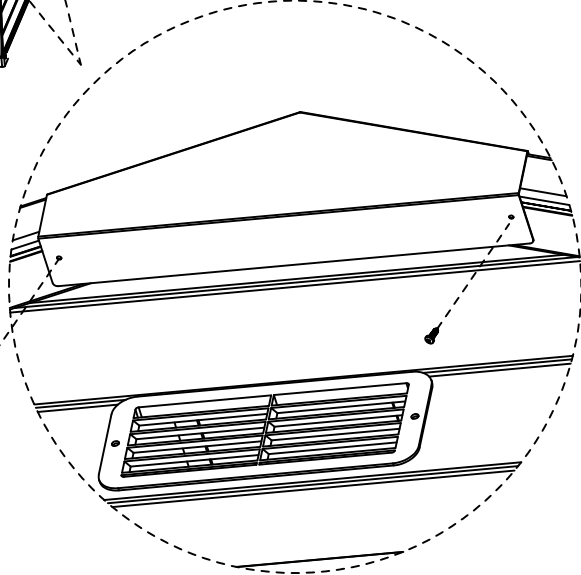
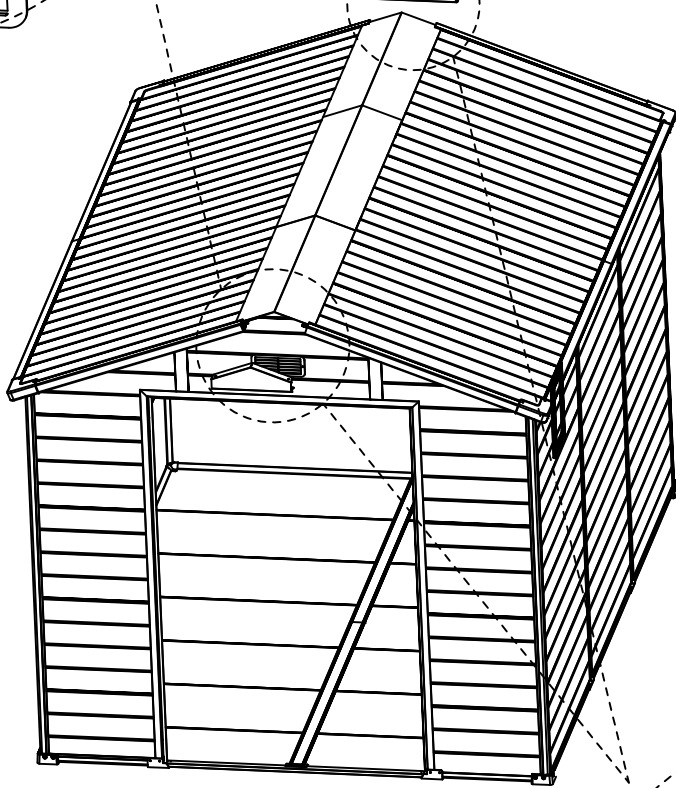
J11

T3

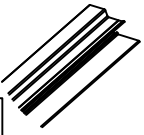
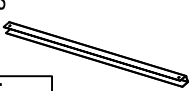
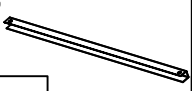
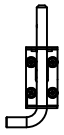



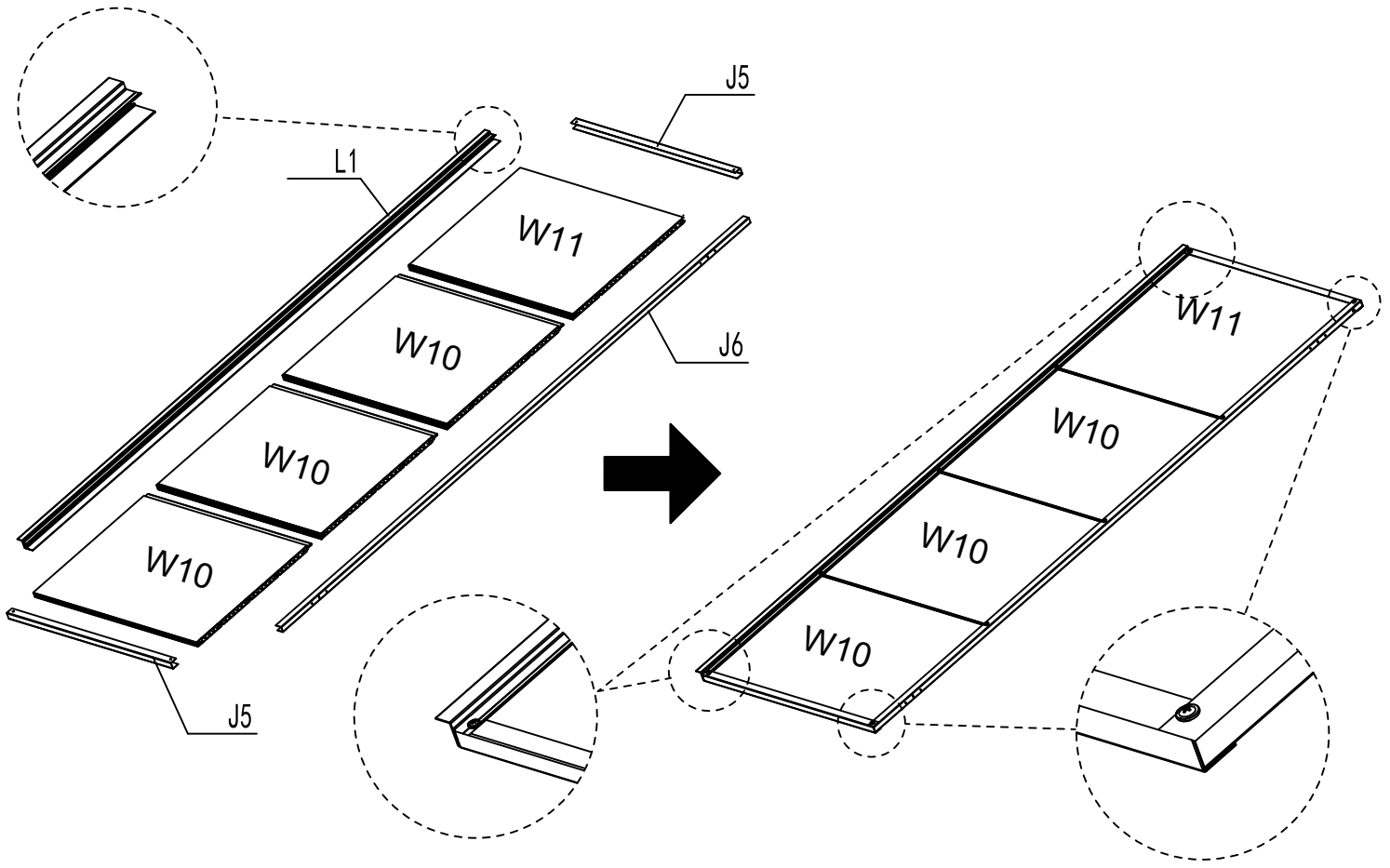
T3 (X4)

JW8 (X2)

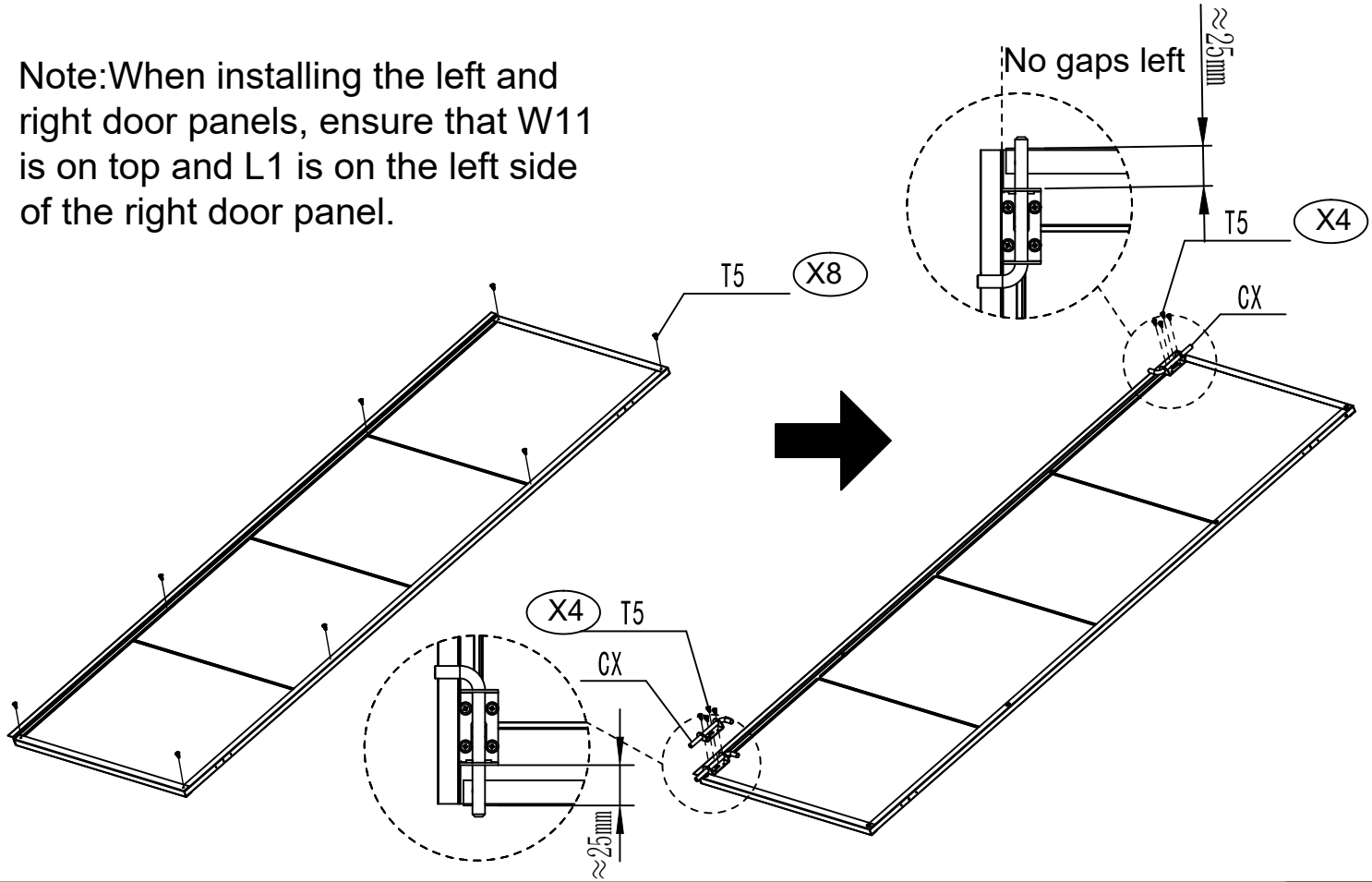


T3 (X4)

1PCS		2PCS		1PCS		2PCS		16PCS	
L1		J5		J6		CX		T5	



Note: When installing the left and right door panels, ensure that W11 is on top and L1 is on the left side of the right door panel.



2PCS

2PCS

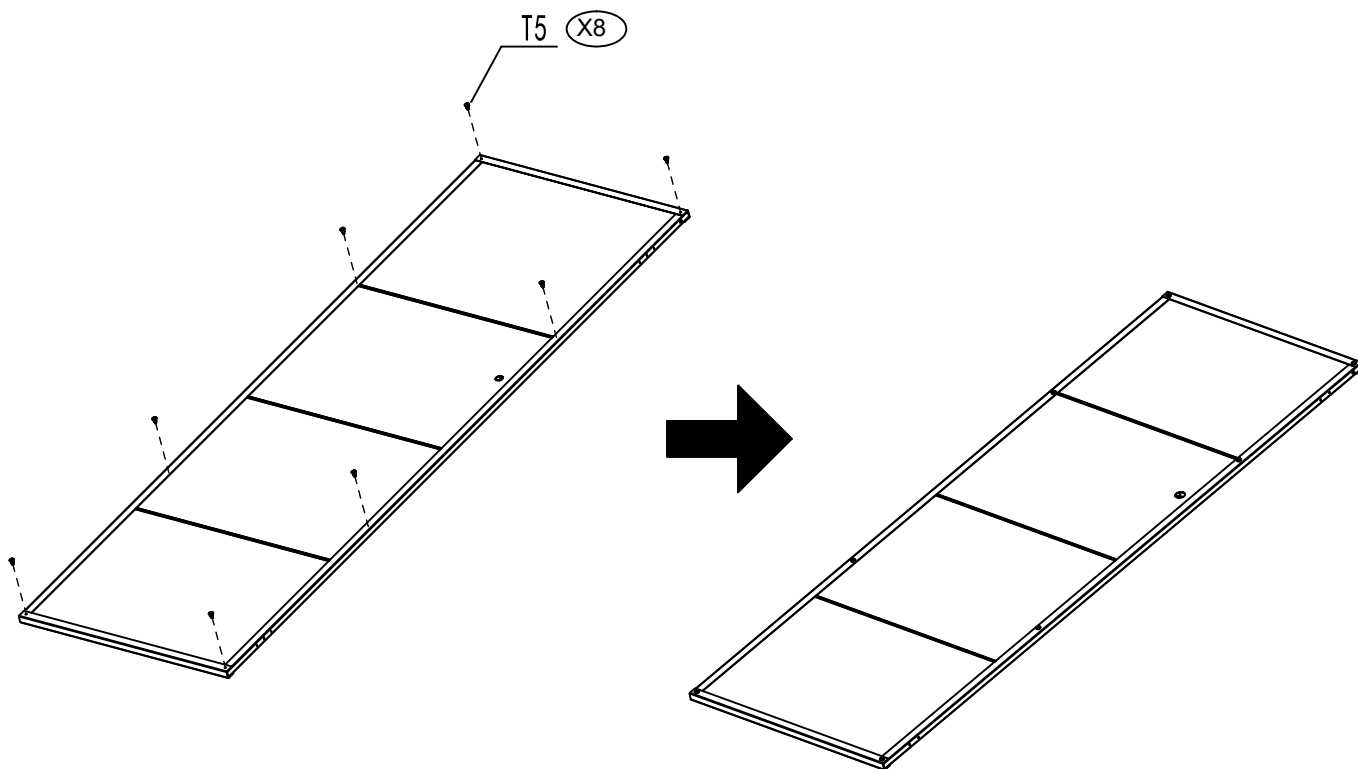
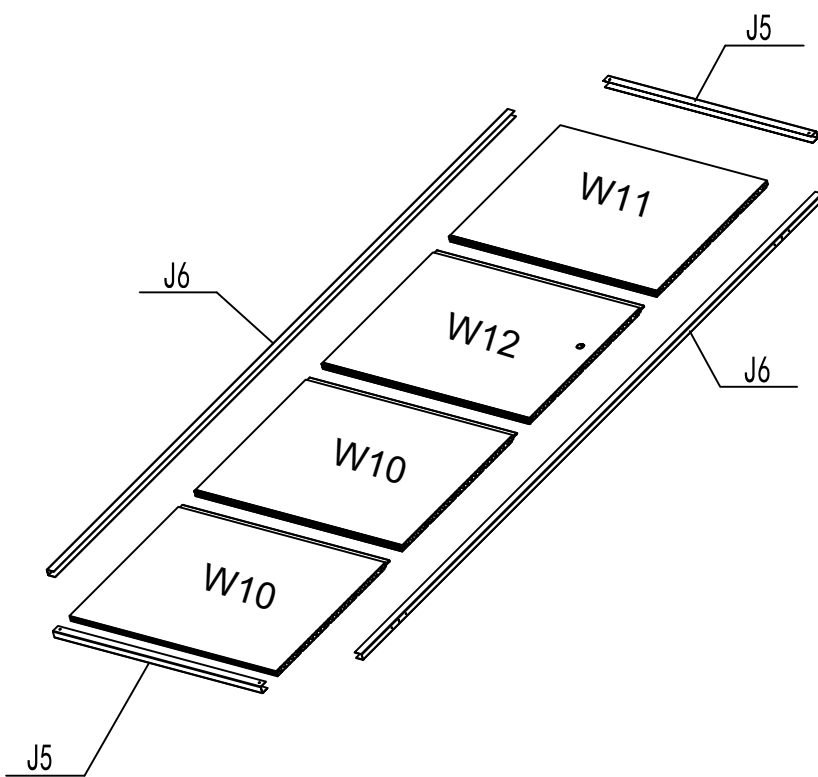
8PCS



J5

J6

T5



1PCS



2PCS

T7



1PCS



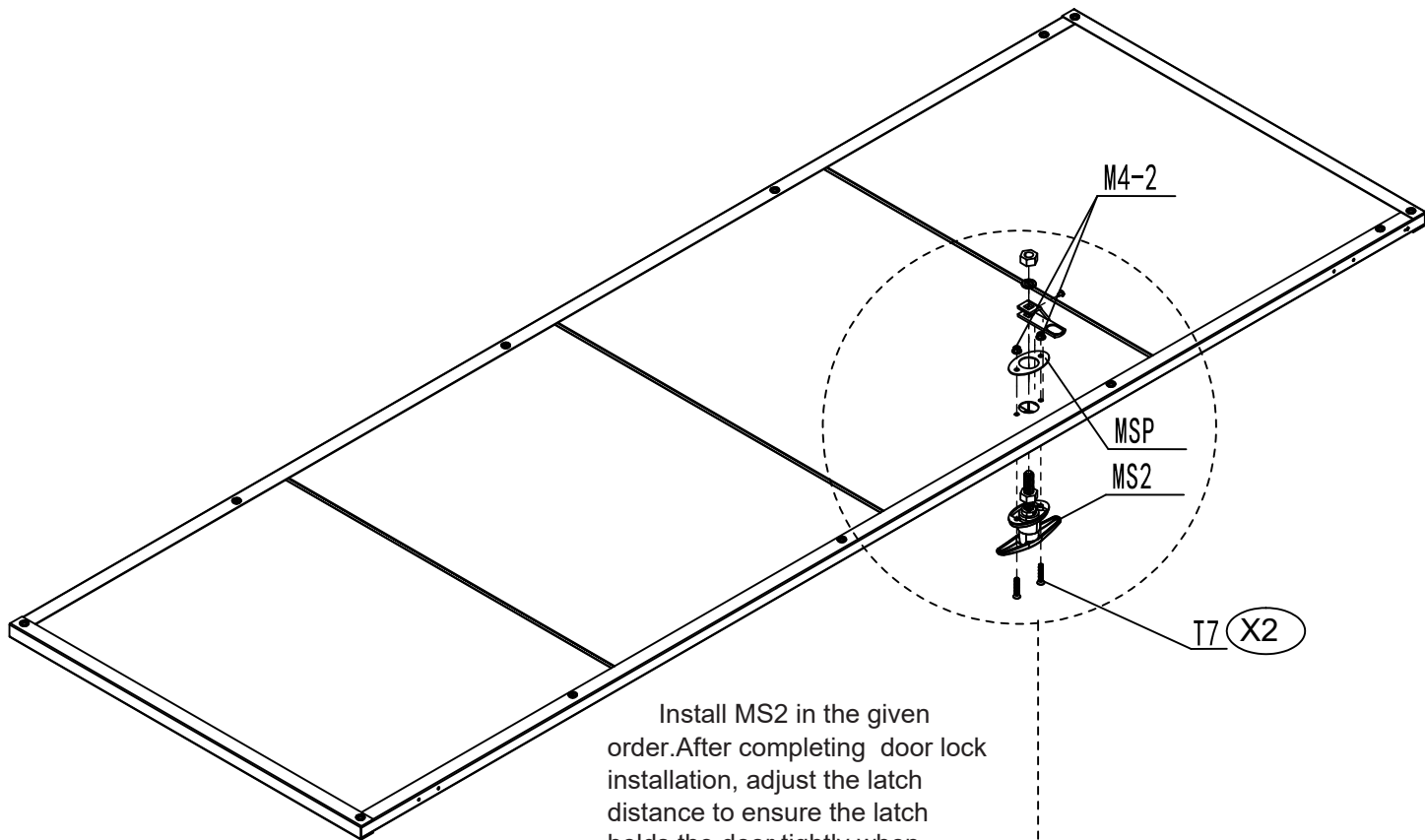
MSP

2PCS

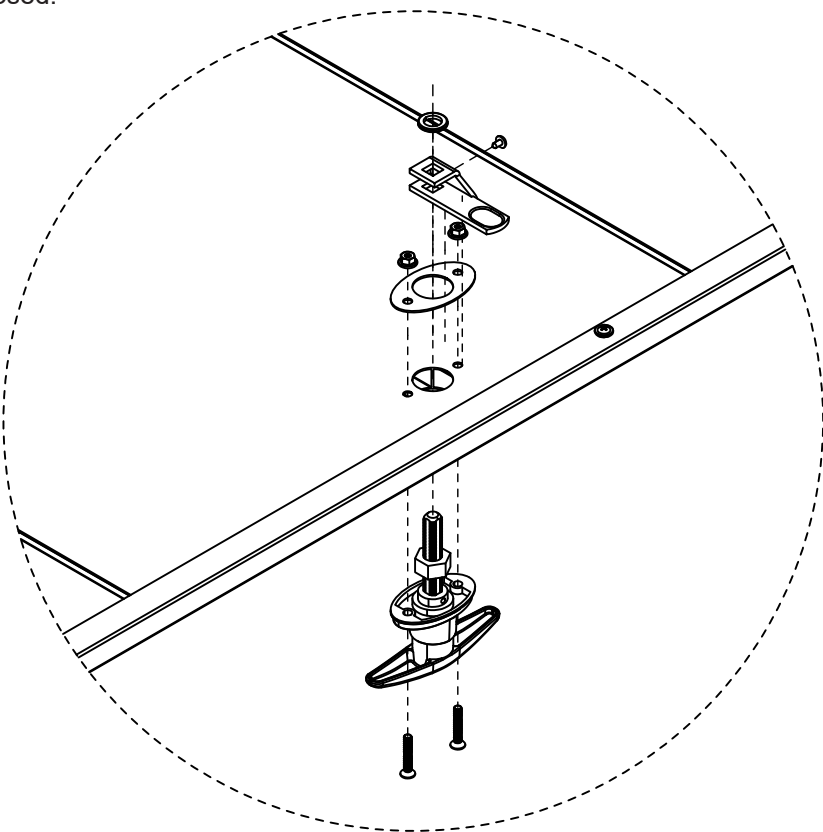
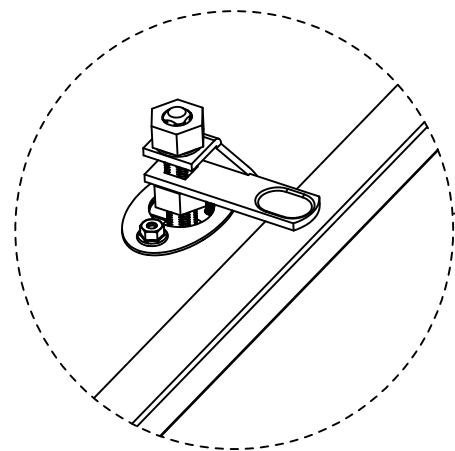


M4-2

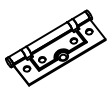
MS2



Install MS2 in the given order. After completing door lock installation, adjust the latch distance to ensure the latch holds the door tightly when closed.



2PCS

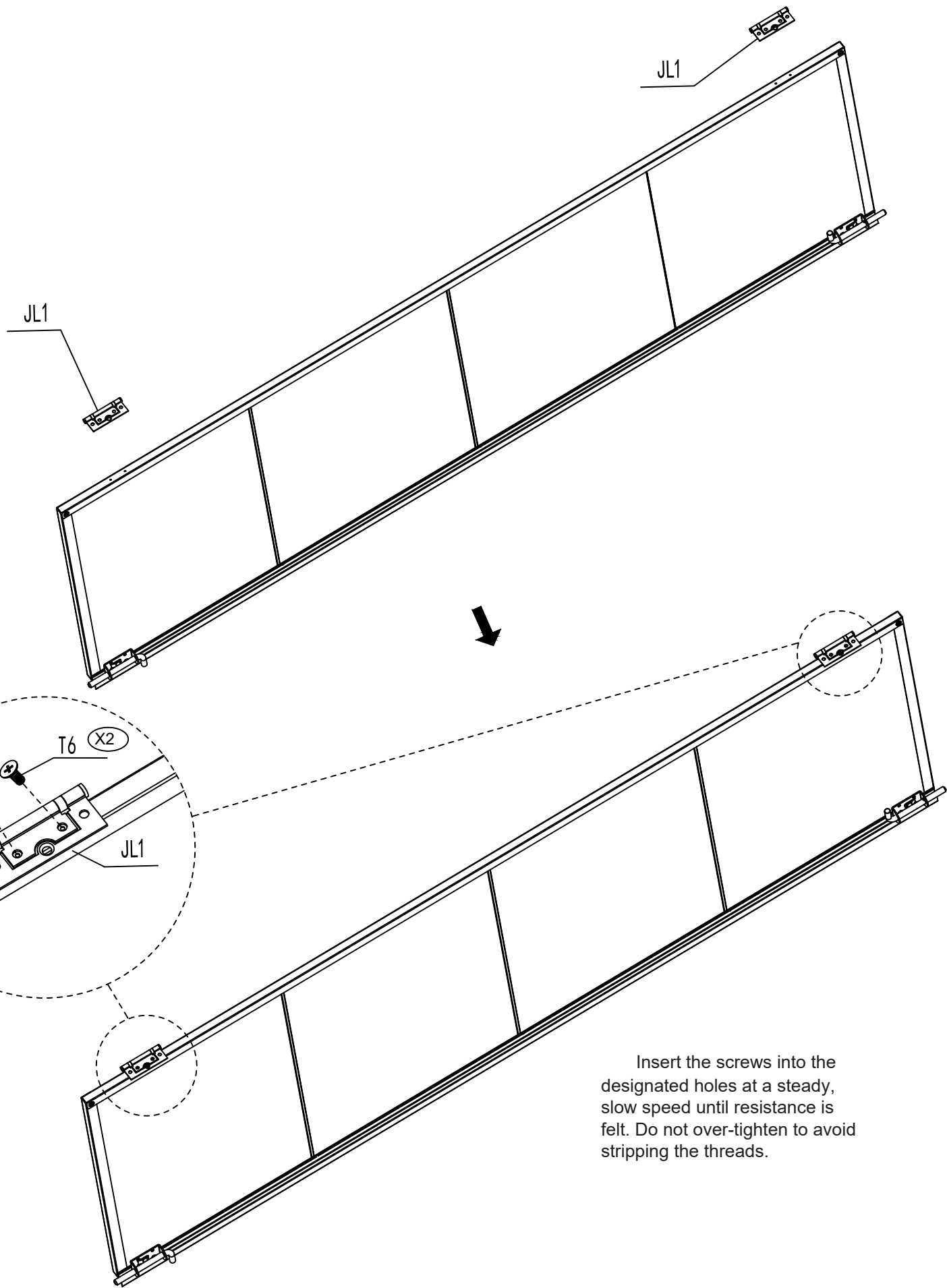


4PCS



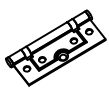
JL1

T6



Insert the screws into the designated holes at a steady, slow speed until resistance is felt. Do not over-tighten to avoid stripping the threads.

2PCS

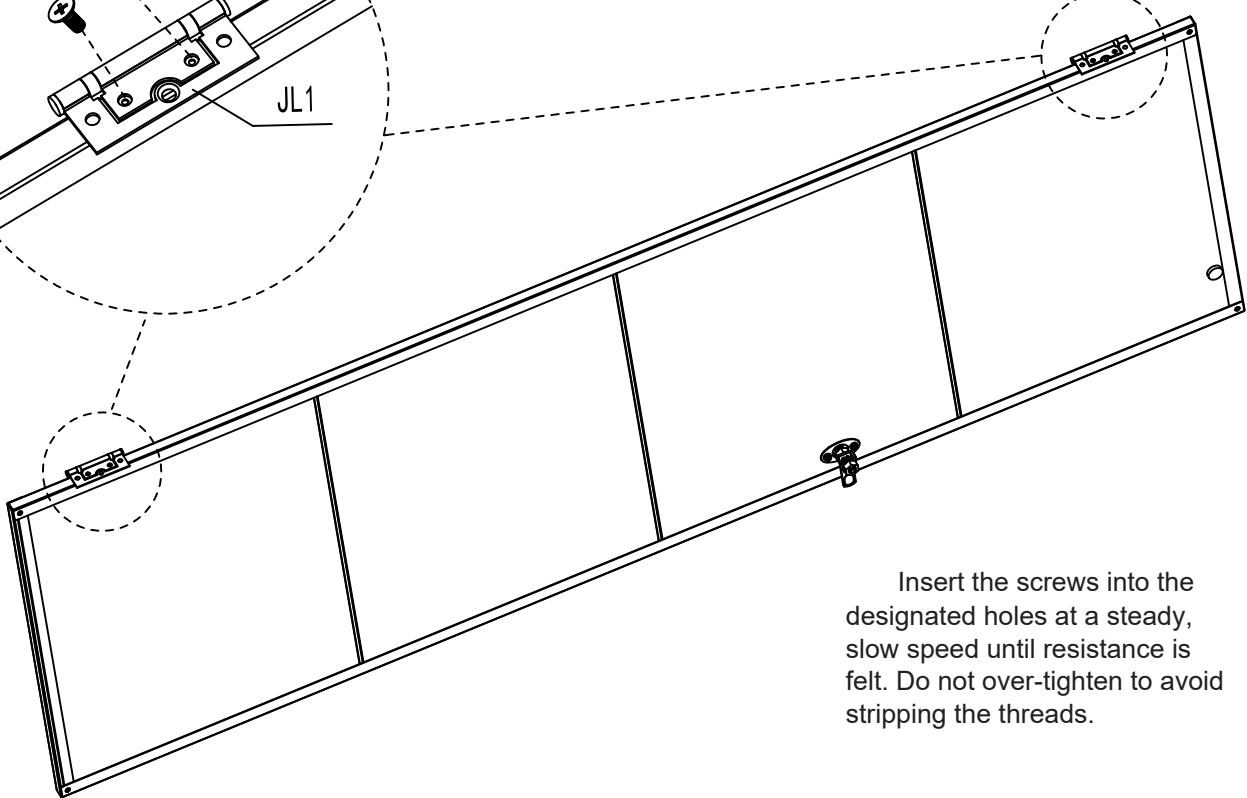
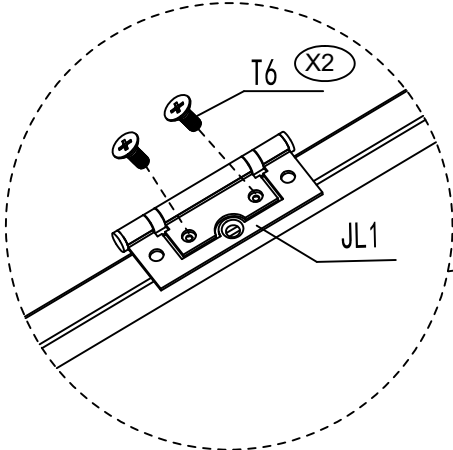
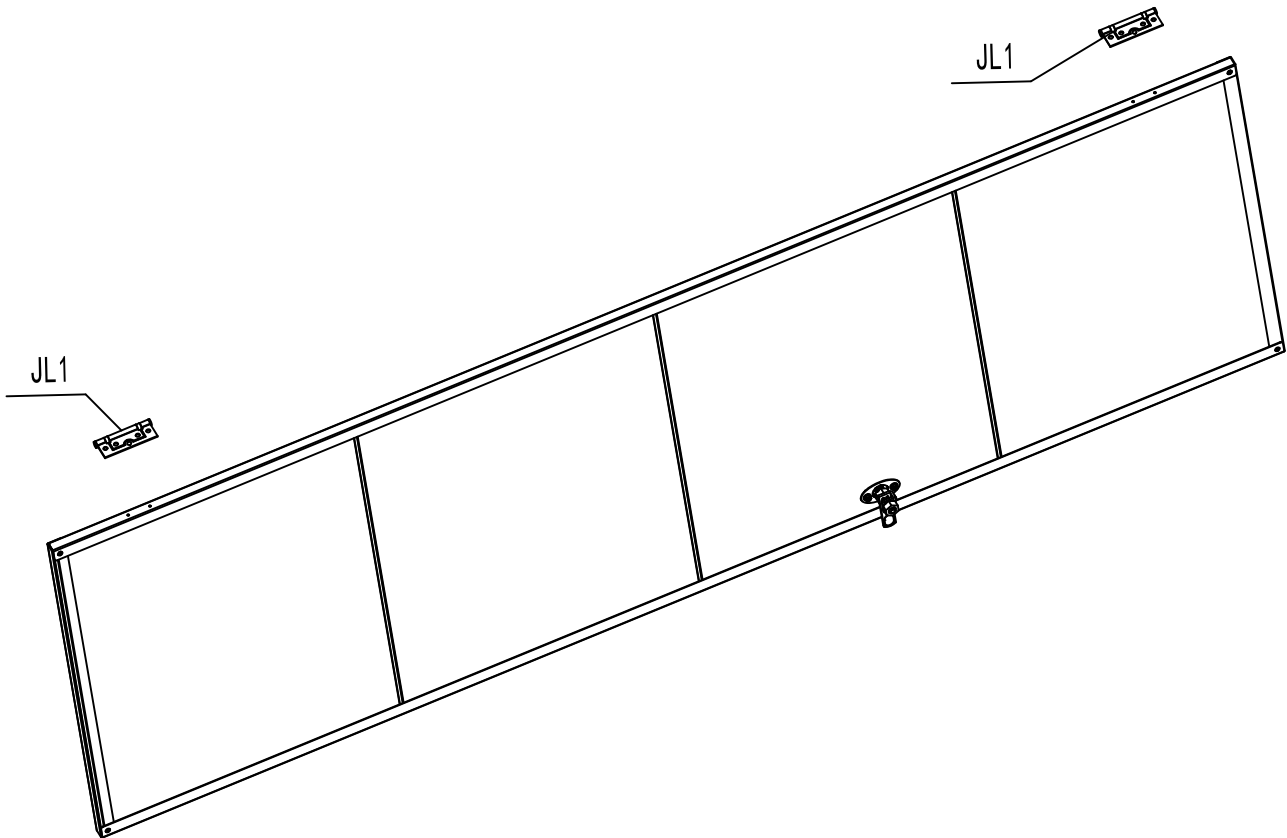


4PCS

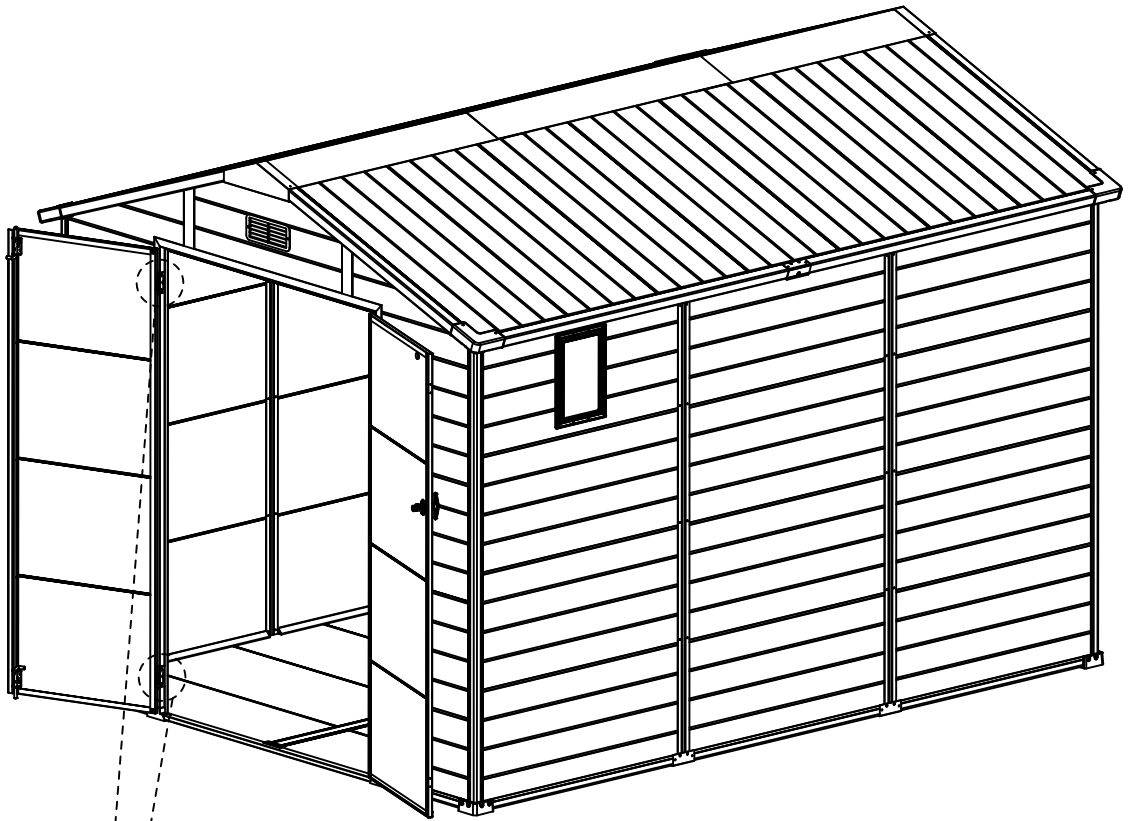


JL1

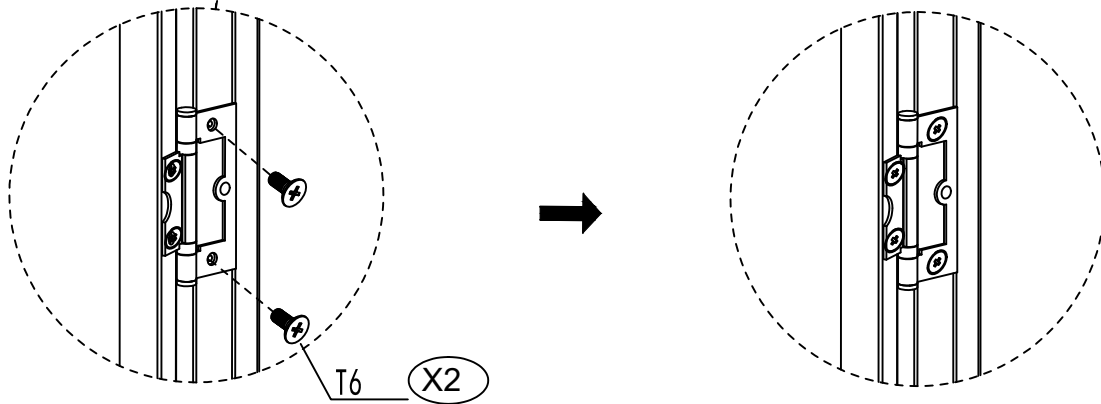
T6

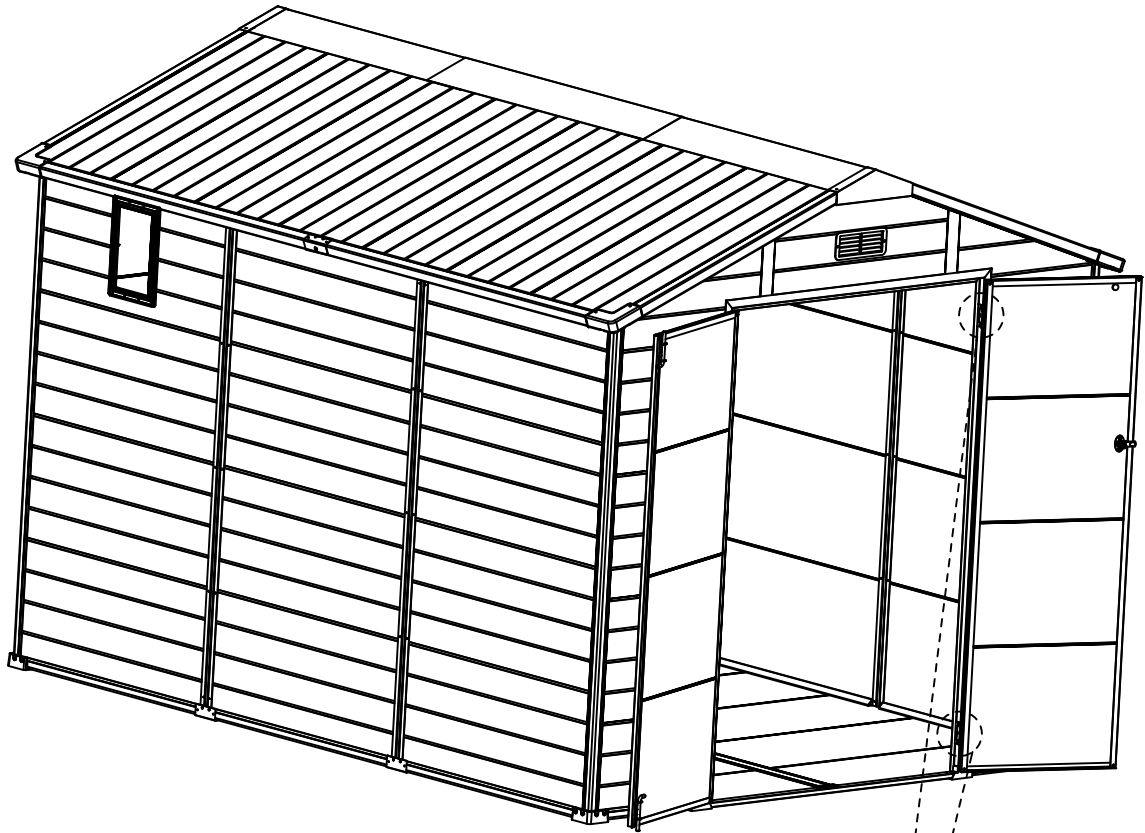


Insert the screws into the designated holes at a steady, slow speed until resistance is felt. Do not over-tighten to avoid stripping the threads.

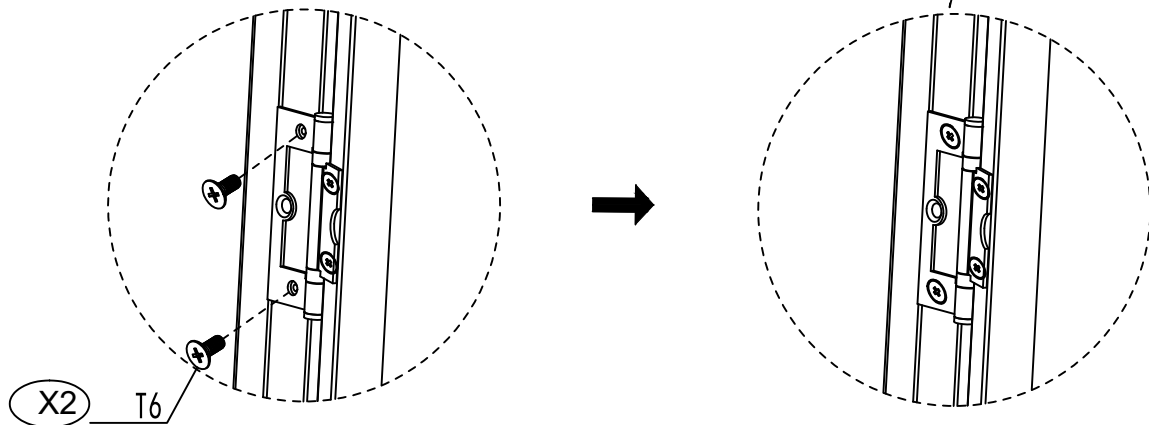


Insert the screws into the designated holes at a steady, slow speed until resistance is felt. Do not over-tighten to avoid stripping the threads.





Insert the screws into the designated holes at a steady, slow speed until resistance is felt. Do not over-tighten to avoid stripping the threads.



5PCS



4PCS



10PCS



18PCS

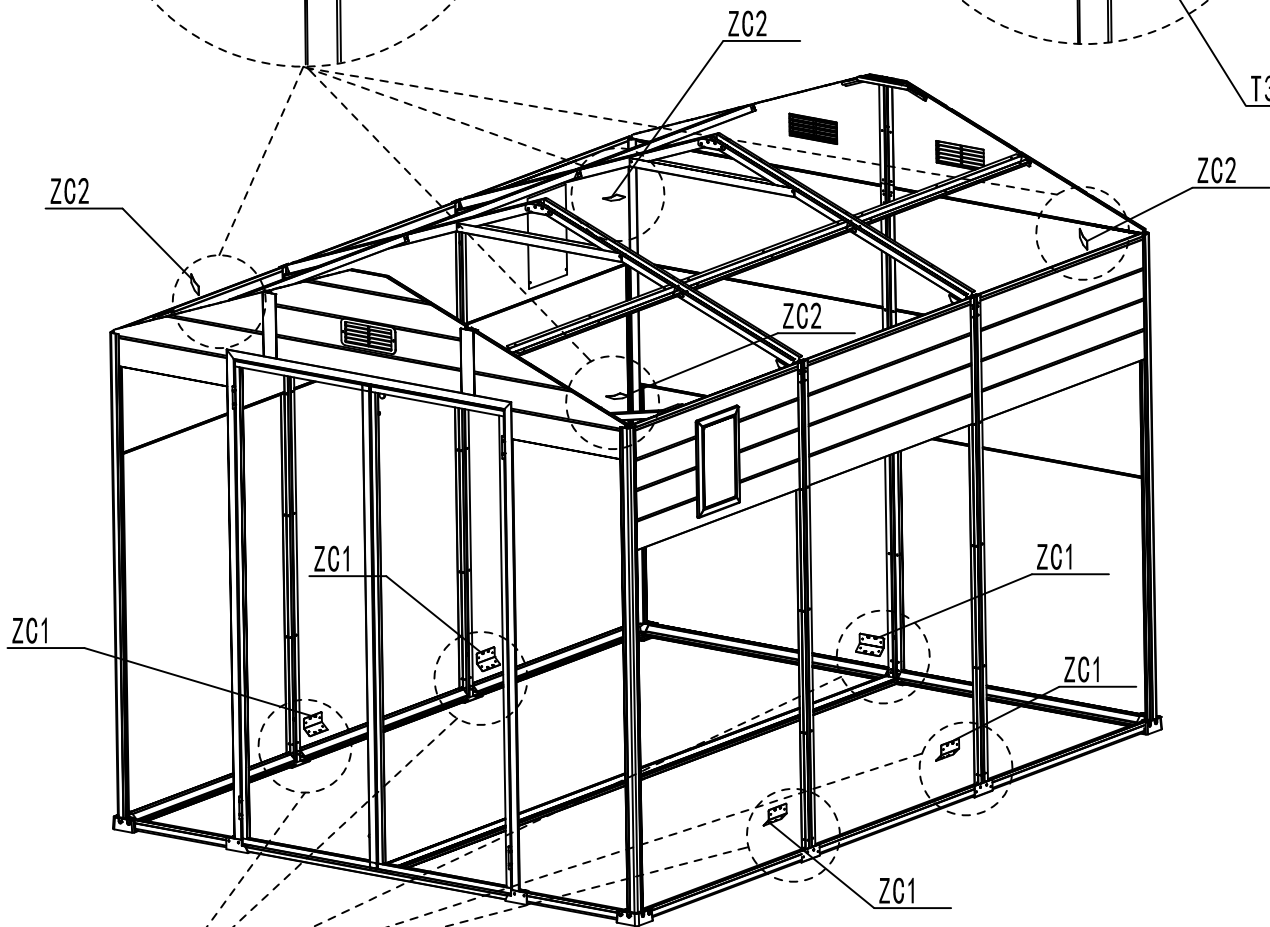
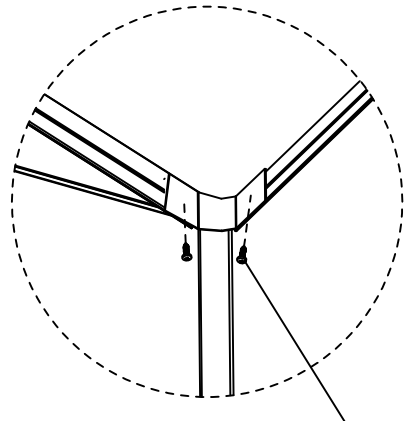
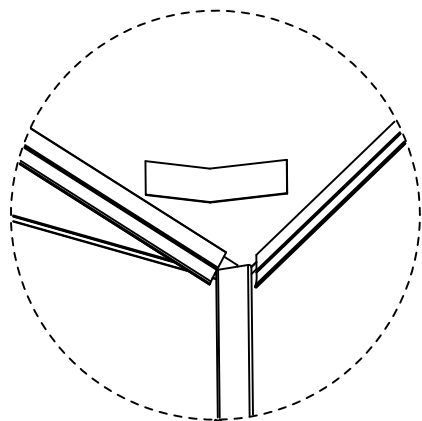


ZC1

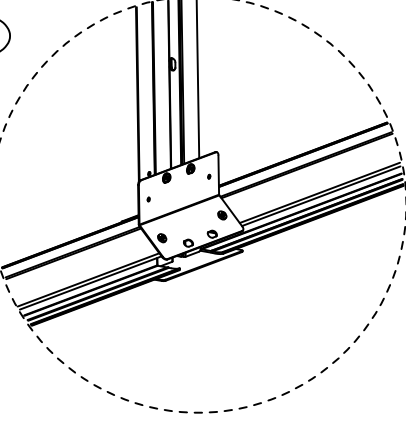
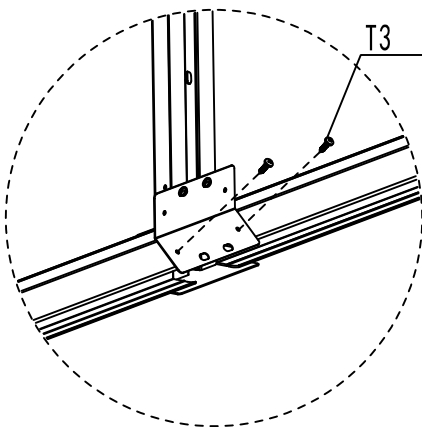
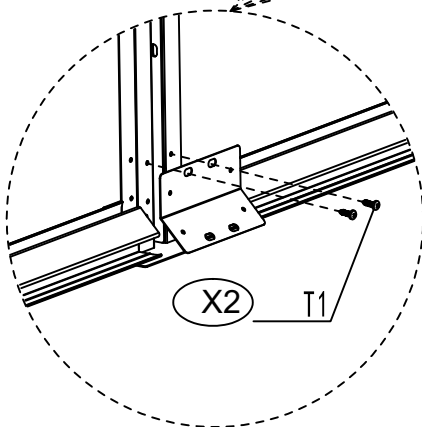
ZC2

T1

T3



X2



X2

X2