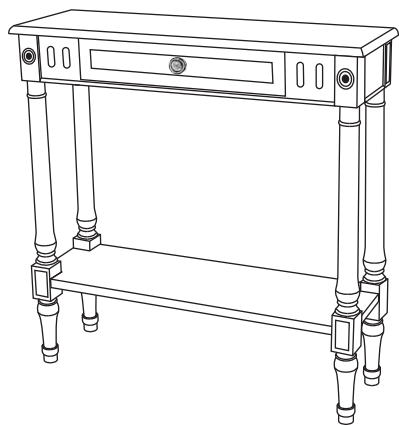
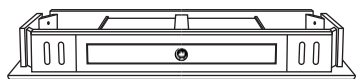


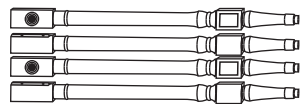
Assembly Instruction



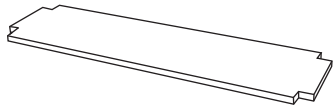
(1) A






(4) B

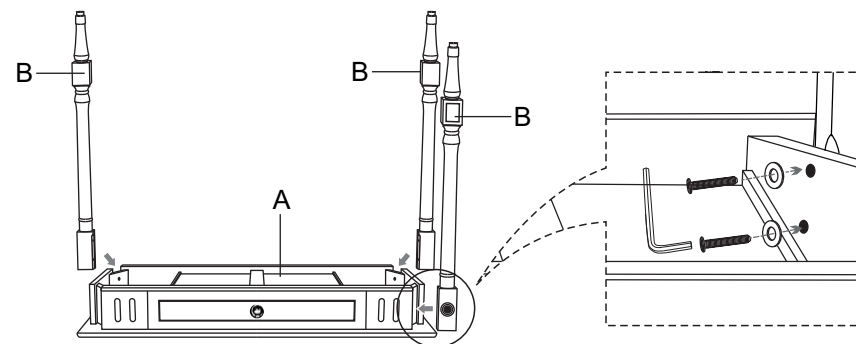


(1) C

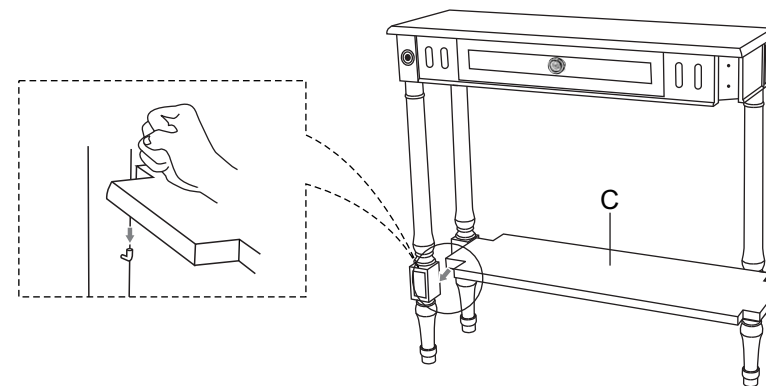


8 PCS	8 PCS	1 PCS
		

1



2



3

