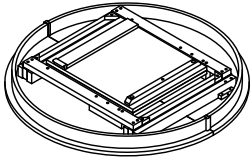

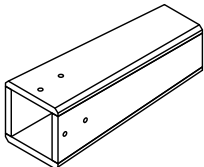
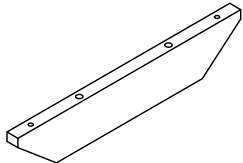
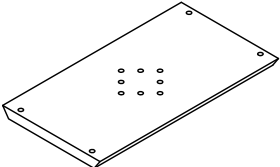
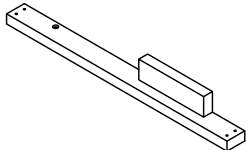
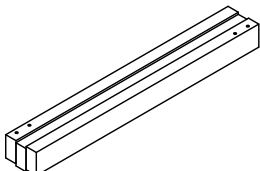
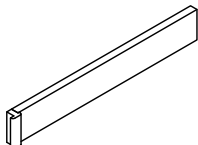


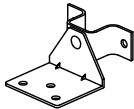
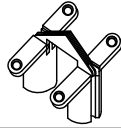
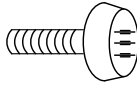
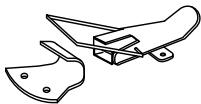
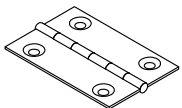
ASSEMBLY INSTRUCTIONS

Thank you for purchasing this quality product. Be sure to check all packaging materials carefully for small parts that may have come loose inside the carton during shipment.




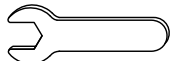
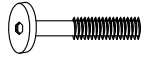


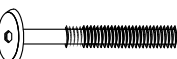
Reminders

1. Use only the hardware supplied.
2. Do not over-tighten bolts.
3. This item may require periodic tightening.

COMPONENTS LIST			QTY
A	Table Top		1pc
B	Table Legs		4pcs
C	Post		1pc
D	Side Mounting Plate		2pcs
E	Mounting Plate		1pc
F	Support Bar (Left- Right)		2pcs
G	Glides		2pcs
H	Apron Leaf		2pcs

COMPONENTS LIST			QTY
I	Support Leaf Hinge		2pcs
J	Leaf Hinge		2pcs
K	Adjustable Leveler		4pcs
L	Clamp Lock		4pcs
M	Apron Hinge		4pcs

Hardware List :

NO	DESCRIPTION	SIZE	FIGURE	QTY
1	Flat Washer	Ø5/16"x 19mm		16pcs
2	Spring Washer	Ø5/16"x 12mm		20pcs
3	Hex- Nut	Ø5/16"x 12mm		12pcs
4	Wrench	Ø5/16"x 12mm		1pc
5	Short Bolt	Ø1/4"x 75mm		4pcs
6	Small Flat Washer	Ø1/4"x 12mm		4pcs
7	Allen Key	58x 23x 4mm		1pc
8	Long Bolt	Ø1/4"x 105mm		4pcs

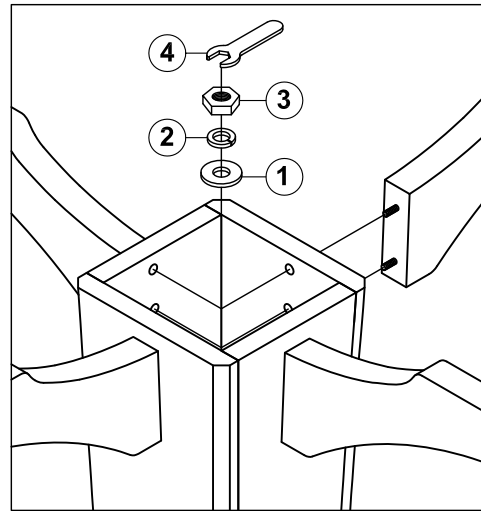
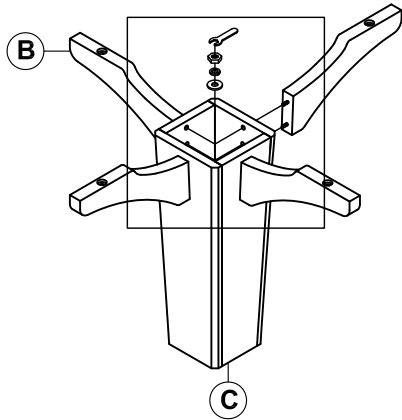
IMPORTANT NOTE:

- Please keep all hardware parts out of the reach of children.
- Two or more people are needed for assembly.

ASSEMBLY INSTRUCTIONS

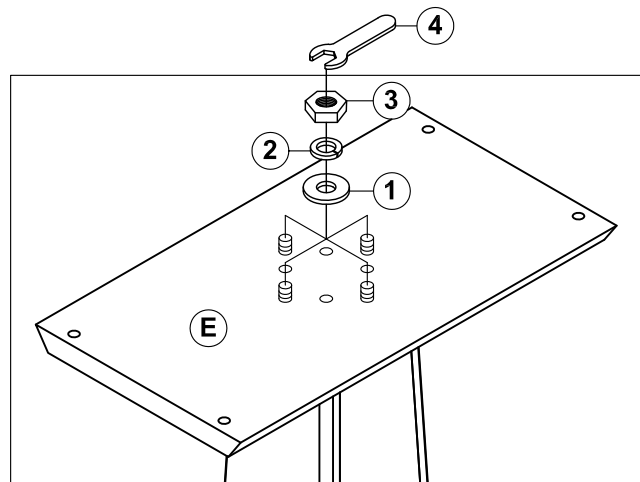
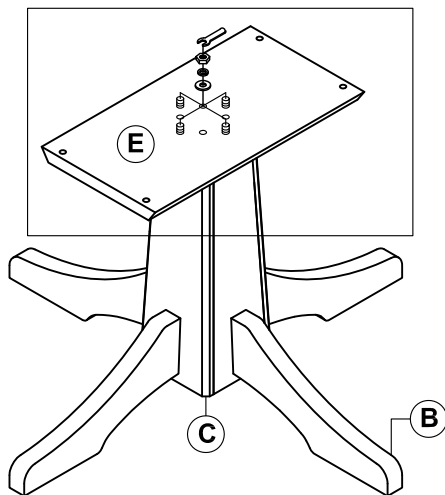
STEP 1:

Attach Table Leg (B) to the Post (C), using flat washers (1), spring washers (2), hex- nut (3) tighten with wrench (4).



STEP 2:

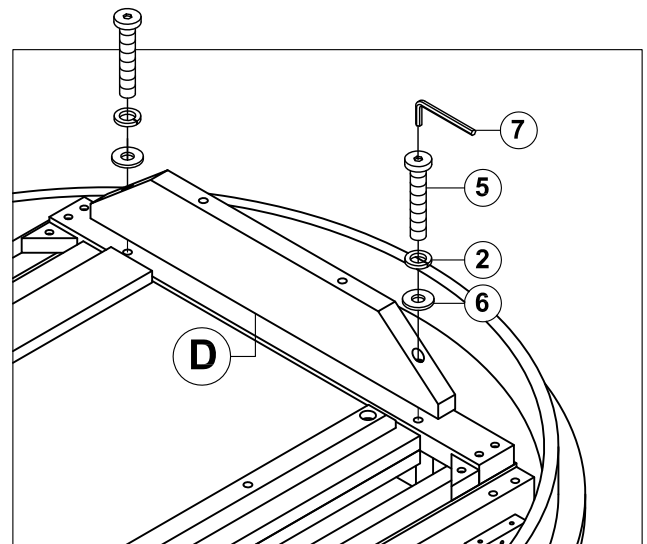
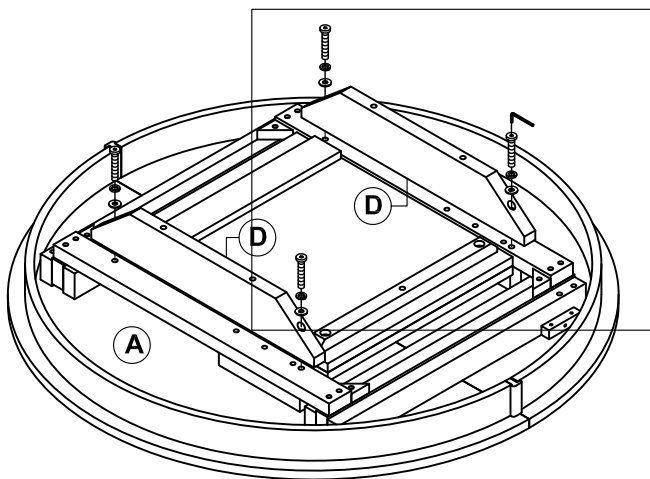
Attach Mounting Plate (E) to the Post (C), using flat washers (1), spring washers (2), hex- nut (3) tighten with wrench (4).



STEP 3:

Place table top (A) upside down on a smooth and flat surface.

Attach Trestle Bar (D) to the Table Top (A), using small flat washers (6), spring washers (2), short bolt (5) tighten with allen key (7).

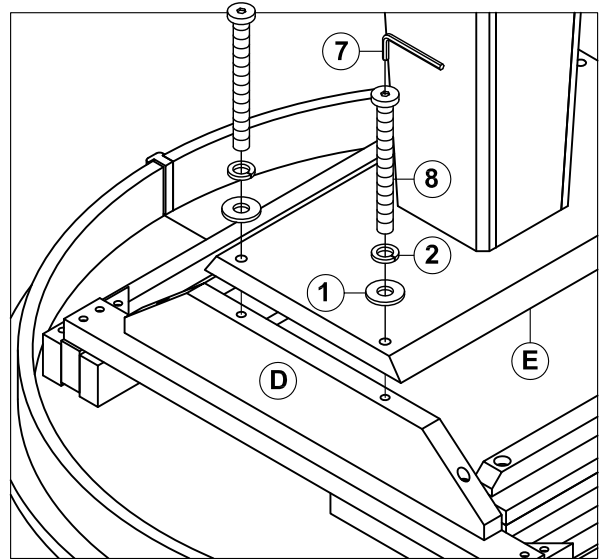
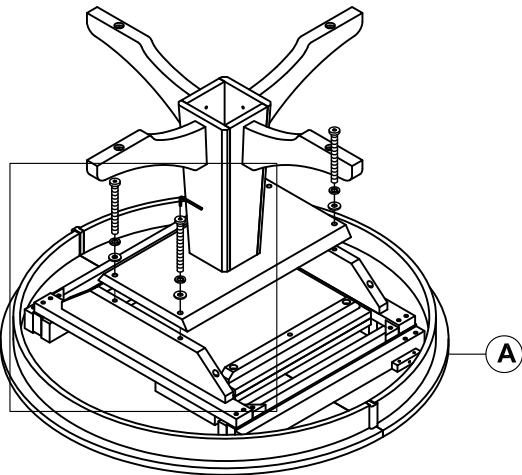


IMPORTANT NOTICE:
Storing and opening the leaf
requires 2 people.

ASSEMBLY INSTRUCTIONS

STEP 4:

Attach Mounting Plate (E) to the Trestle Bar (D), using flat washers (1), spring washers (2), long bolt (8) tighten with allen key (7).



STEP 5:

- Turn the table to the upright position.
- Pull the Table Top (A) from both ends and open the butterfly leaf which is stored underneath the table top.
- Close the table top by pushing from both ends and clamp lock the latch underneath the table top to prevent from sliding.
- Please put your hand in the place as shown in the illustration when pick up the butterfly leaf to avoid injury

