



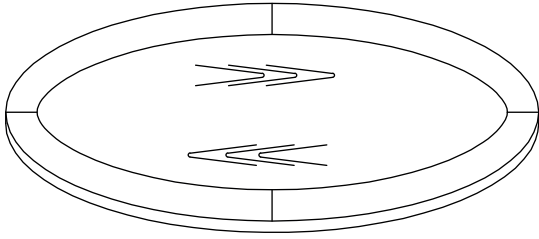
ASSEMBLY INSTRUCTION

BROWN ROUND DINING TABLE

Congratulations on your purchase.

Rest assured only the finest materials, skilled artisans and modern engineering were used to carefully construct this exquisite piece.

PARTS LIST



(A)

TABLE TOP
x 1 PC



(B)

TABLE LEGS
x 4 PCS

HARDWARE LIST

NO.	DESCRIPTION	SKETCH	QTY
1	ALLEN KEY 57mmL * 5mm		1 PC
2	SPRING WASHER Ø5/16" * 1.2mmT		8 PCS
3	FLAT WASHER Ø5/16" * 1.8mmT		8 PCS
4	ALLEN BOLT Ø5/16" * 76mmL		8 PCS

STEP 1

Instructions:

Figure 1:

With assistance, carefully place the Table Top(A) onto it's top as shown. Align the holes on the Table Legs(B) and slide into place as shown.

Figure 2:

Secure the Table Leg(B) to Table Top(A) with Allen Bolt(4), Spring Washer(2) and Flat Washer(3) by using Allen Key(1). Fully tighten all the bolts

Repeat this assembly step to attach for the remaining Table Leg.

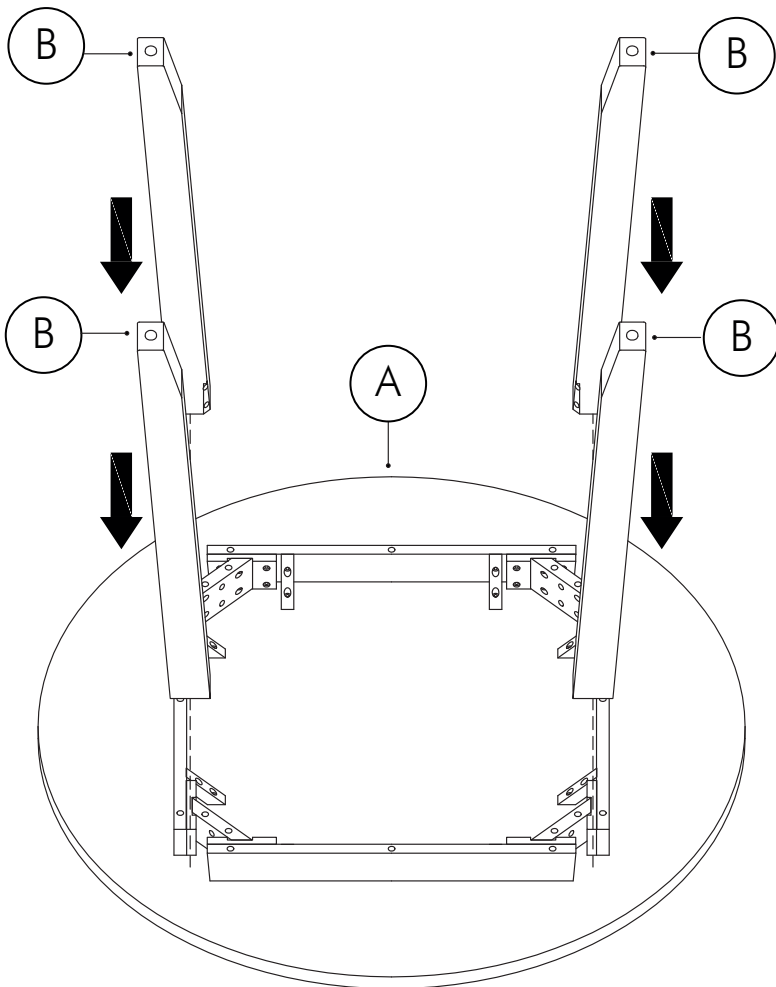


Figure 1

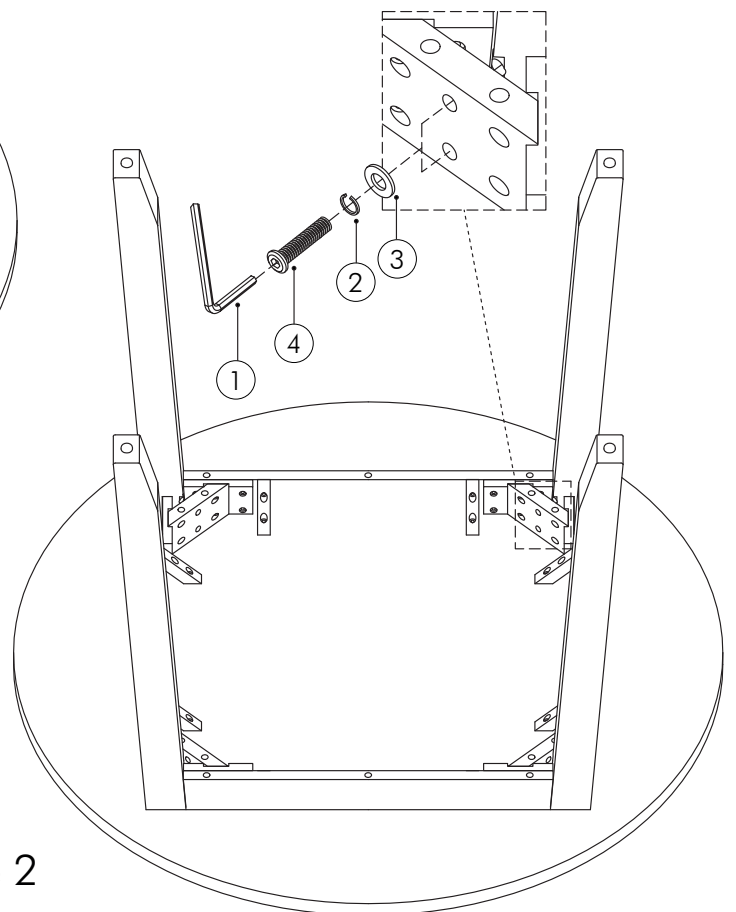


Figure 2

With assistance, return the assembled Dining Table upright and place into the desired position.



ASSEMBLY IS COMPLETED